

Rapid Station



12 GPM Fill Rate

- Fills autoscrubbers and mop buckets 2-4 times faster than conventional dispensing equipment.
- Requires a 3/4" incoming water line to produce 12 gallons per minute.

Rapid Station (421050PL) Includes:

- Proportioning unit
- Instructions
- Shut-off ball valve
- 10 ft. discharge hose
- Metering tips

55 Gallon Drum Kit (421355PL) Includes:

- 8 ft. Tubing
 - Metering tips
 - Ceramic Weights
 - Stainless steel check valve
- (Must be purchased separately)*



Rapid Station dispensing from drum.

A large automatic scrubber tank can be completely filled in as little as 90 seconds.



Dispense PowerBoss Chemicals at 12 GPM.

HEAVY DUTY DEGREASER

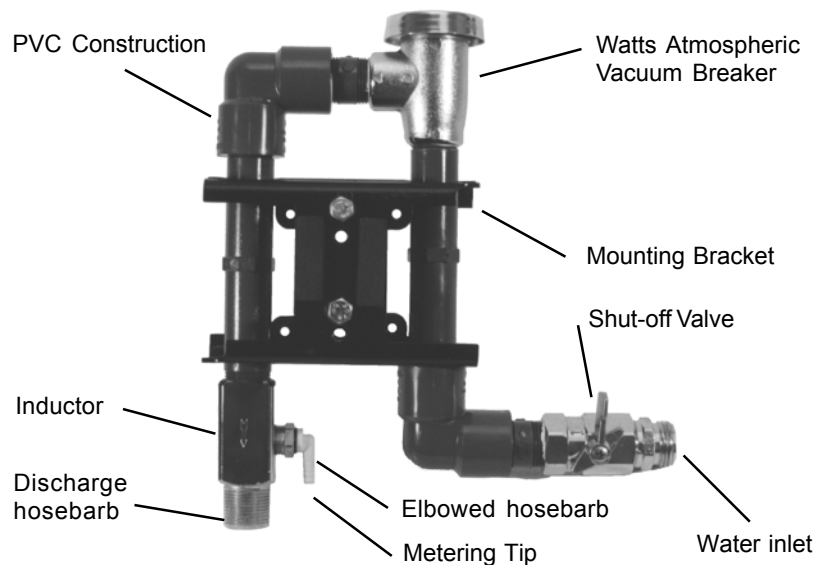
A powerful low foaming degreaser

CITRUS DEGREASER

A citrus fortified degreaser

POWER GREEN Environmental Degreaser

A neutral pH degreaser. Safe to use, safe for the environment.



Installation:

REQUIREMENT: *The incoming water supply must have a minimum 3/4" diameter line to produce 12 gallons per minute.* The incoming water source must be a single source (cold water) line to prevent cross-connection control concerns. This unit is designed to be hard plumbed and is equipped with a 3/4 NPSF on the shut-off control valve for ease of installation.

The installation location should be at least 12" above location of chemical concentrates used.

There are 2 mounting holes for installing this unit with appropriate hardware for the type of wall this unit is to be placed on.

For drywall and masonry construction drill 5/16 dia. hole for anchor.

The discharge hose comes with a hose hanger.

Operation:

1. Place 55 gallon drum of product near Rapid Station. Use 55 gallon Drum Kit, part 421355, purchased separately.
2. Select proper tip from the chart below.
3. Screw the colored dilution tip into the end of the elbowed hose barb on the Rapid Station.
4. Insert the 1/4" tube over the end of the hose barb. Insert tubing with ceramic weights and check valve into drum through bung hole.
5. Turn water source to ON.
6. Dispensing Product:
 - a. Direct discharge tube into scrubber tank, extractor, etc.
 - b. Begin dispensing chemical by turning the valve lever all the way to the left.
CAUTION: Lever must be turned on all the way to dispense concentrates in correct proportions. Unit will draw chemical concentrate only when water in discharge tube backs up to inductor.
 - c. Turn off lever when tank is filled.

Tip Chart

Product	Heavy	Tip	Normal	Tip	Light	Tip
	Cleaning	Color	Cleaning	Color	Cleaning	Color
HEAVY DUTY DEGREASER	1:16	No Tip	1:32	Gray	1:64	White
CITRUS DEGREASER	1:16	No Tip	1:32	Gray	1:64	White
POWER GREEN	1:16	No Tip	1:32	Gray	1:64	White

Rapid Station
Part: 421050PL

55 Gallon Drum Kit
Part: 421355PL
(Must Purchase Separately)

LIMITED WARRANTY

PowerBoss Division warrants to the original purchaser/user that this product is free from defects in workmanship and materials under normal use and service for a period of 90 days from date of purchase. In addition, PowerBoss Division will, at its option, honor labor warranty claims for the first 90 days from date of sale, provided such claims are submitted through and approved by factory authorized repair stations. PowerBoss Division will, at its option, repair or replace without charge, except for transportation costs, parts that fail under normal use and service when operated and maintained in accordance with the applicable operation and instruction manuals.

All warranted items become the sole property of PowerBoss Division or its original manufacturer, whichever the case may be.

PowerBoss Division disclaims any implied warranty, including the warranty of merchantability and the warranty of fitness for a particular purpose. PowerBoss Division assumes no responsibility for any special, incidental or consequential damages.

This limited warranty is applicable only in the U.S.A. and Canada, and is extended only to the original user/purchaser of this product. Customers outside the U.S.A. and Canada should contact their local distributor for export warranty policies. PowerBoss Division is not responsible for costs or repairs performed by persons other than those specifically authorized by PowerBoss Division. This warranty does not apply to damage from transportation, alterations by unauthorized persons, misuse or abuse of the equipment, use of non-compatible chemicals, or damage to property, or loss of income due to malfunctions of the product.

This warranty gives you specific legal rights, and you may have other rights which vary from state to state. Some states do not allow the exclusion or limitation of special, incidental or consequential damages, or limitations on how long an implied warranty lasts, so the above exclusions and limitations may not apply to you.