

Parts Catalog

B1500RH

Rider Sweeper



PREFACE

Thank you for your purchase of the new industry standard for sweepers. PowerBoss® takes great pride in offering the most dependable, reliable and best value in industrial power scrubbers and sweepers. We set the standard.

Our Customer Service Department would like to hear from you. If you see any errors, omissions or something that needs clarification in this Parts Catalog please let us know. We are working hard towards continually improving our processes to bring you the best you deserve. Please copy the form below, fill out and comment on how you found our catalog.

Thank you!
The PowerBoss Team

Name: _____

Title: _____

Company Name: _____

Address: _____

Country: _____

Type of equipment or model number: _____

Comments: _____

Please return to:
Customer Service Manager
PowerBoss®, Minuteman International, Inc.
14N845 U.S. Route 20
Pingree Grove, Illinois 60140 USA

Phone: (800) 323-9420
Email: tech@powerboss.com

This is the Parts Catalog for the PowerBoss® B1500R Rider Sweeper machine.

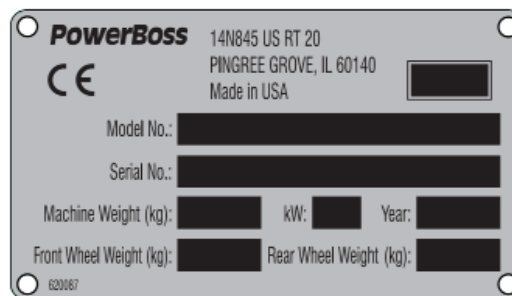
We believe this machine will provide excellent service for many years. Best results will be obtained if:

- The machine is operated with reasonable care.
- The machine is maintained regularly per the maintenance schedule provided in the User Manual.
- The machine is maintained with PowerBoss® supplied or equivalent parts.

All right side and left side references to the machine (except for engine) are determined by facing the direction of forward travel. The front of the engine or engine fan faces the front of the machine. Some hardware considered to be common or locally available has been omitted from the parts section to make this manual clear. Be sure to use equivalent hardware when replacement becomes necessary.

The Model and Serial Number of your machine is shown on the I.D. name plate. This information is needed when contacting Technical Support or when ordering parts. The I.D. plate is mounted on the left side wall of the operator seating area.

Example I.D Plate:



Parts may be ordered by phone, fax or e-mail from any PowerBoss® parts and service center. Before ordering parts or supplies, be sure to have your machine model number and serial number handy. For your convenience Fill out the data block below for future reference.

MACHINE DATA Fill out at installation	
Serial Number:	_____
Engine Serial Number:	_____
Sales Rep.:	_____
Date of Install:	_____

All information contained in this catalog is current at the time of printing. Minuteman International, Inc. reserves the right to make changes at any time without notice.

PowerBoss®, Minuteman International, Inc., Copyright 2021, Printed in USA

TECHNICAL SPECIFICATIONS

Model: B1500R Rider Sweeper

Model No.: SM1500B, SM1500BQP

Dimensions and weight		
Length	mm	2260
Width with/without left-hand side brush	mm	1320/1360
Height with/without protective roof	mm	1751/1985
Dead weight	kg	1560
Permissible total weight	kg	2350
Driving and sweeping performance		
Driving speed - forwards	kph	0-8
Driving speed - reverse	kph	0-4
Max. sweeping speed	kph	8
Theoretical sweeping performance with/without left-hand side brush	m ² /h	10160/7360
Max. driving gradient	%	12
Rotary brush		
Length / Diameter	mm	920/500
Wear limit diameter	mm	400
Speed	rpm	540 +/-40
Sweeping pattern	mm	75 +/-10
Dirt hopper and filter system		
Dirt hopper volume	Liter	240
Filter surface	m ²	7,5
Side brushes		
Diameter	mm	600
Speed	rpm	Max. 95
Wheels		
Tires, front (wheel rims: diameter/width)	mm	310/120
Tires, rear	CSE	4.00-8
Hydraulic system		
Hydraulic oil, e.g. Mobiloil		DTE 25M or DTE 10 Excel46
Tank volume	Liter	1.5
Electrical installation		
Voltage	V	36
Max. battery capacity	Ah	325/450
Drive (P1)	W	2700
Brush drive (P1)	W	1900
Side brush drive (P1)	W	310
Fan drive (P1)	W	1000
Agitating motor (P1)	W	190
Protection class against penetration by moisture		IPX3

Noise emission values		
The sound pressure level (LpA) (at the ear of the operator) measured according to DIN IEC 60335-2-72 under normal working conditions is:	dB (A)	79
Measurement inaccuracy (KpA):	dB (A)	2
The sound power level (LwAd) measured according to EN 60335-2-72 under normal under working conditions is:	dB (A)	91
The sound power level (LwAd) measured according to 2000/14/EC under normal working conditions is:	dB (A)	91
Vibration values		
The weighted, effective value of the acceleration, established in accordance with ISO 5349-1, to which the upper limbs (hand-arm) are exposed under normal working conditions is:	m/s ²	< 2.5
The weighted, effective value of the acceleration, established in accordance with ISO 2631-1 to which the lower limbs (feet-seat surface) are exposed under normal working conditions is:	m/s ²	< 0.5

Wearable Parts

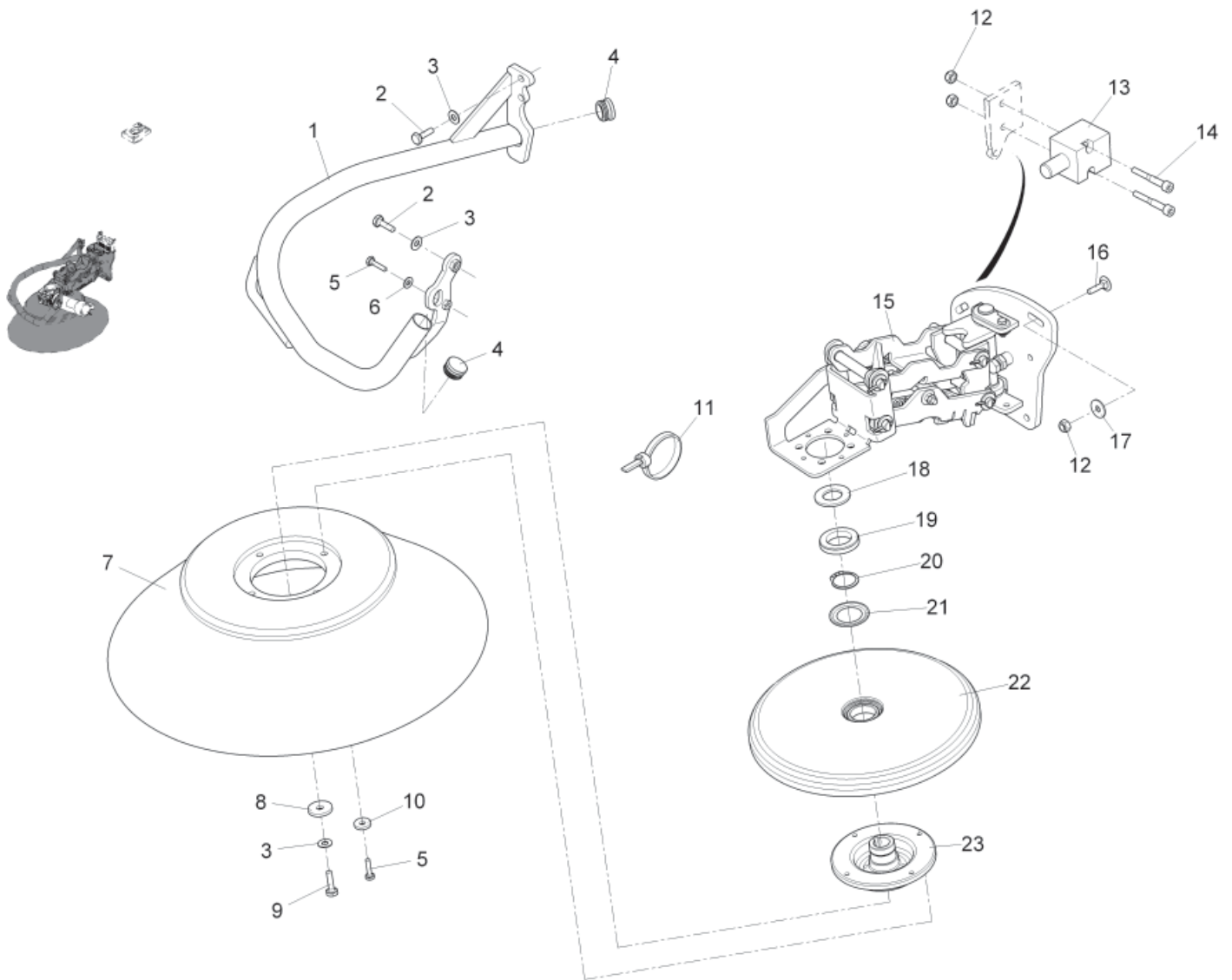
Assembly	Part Number	Description	Qty	EVERY 50 HRS	EVERY 500 HRS	EVERY 1000 HRS	AS NEEDED
Motor	00976490	Carbon Brush (Drive)	1				X
	01058650	Carbon Brush (Motor Main Broom)	8				X
	01153220	Carbon Brush (Motor Dust Extraction)	1				X
Brake	01113800	Brake Shoe (LH)	1				X
	01113770	Brake Shoe (RH)	1				X
	01152090	Bowden Cable Brake	1				X
Steering	00492530	Roller Chain	1				X
	00537280	Chain Connecting Link	1				X
Hydraulics	01058020	Hydraulic Oil Filter	3	X	X	X	
Sweeper Unit	01152700	Plate Filter	1				X
	01050640	Brush Apron	1				X
	01152540	Broom Flap	1				X
	01050650	Brush Apron, Back	1				X
	01152280	Brush Apron, Side	2				X
	01152500	V-Belt I (Dust Vacuum System)	1				X
	01152510	V-Belt II (Dust Vacuum System)	1				X
	01152050	Bowden Cable I (Lifter)	1				X
	01152060	Bowden Cable II (Lifter)	1				X
	01152070	Bowden Cable III (Lifter)	1				X
	01152040	Bowden Cable (Broom Adjustment) (2x)	2				X
	00492540	Driver (2x)	2				X
	01050170	Roller Chain (High Lift Dumping)	1				X
01054550	Driver (Side Broom)	1				X	
Electric	00733640	Fuse C15A	2				X
	00733630	Fuse C10A	2				X
	00509550	Fuse C7.5A	2				X
	00509550	Fuse C7.5A	2				X
	00733630	Fuse C10A	2				X
	00906120	Fuse C5A T3	2				X

TABLE OF CONTENTS

PREFACE	2
TECHNICAL SPECIFICATIONS	4
WEARABLE PARTS	6
SIDE BROOM R.H. - PART 1.....	10
SIDE BROOM R.H. COMPLETE.....	12
SIDE BROOM R.H. - PART 2.....	14
COVERING	16
SIDE DOOR R.H.	18
SHEET METAL COVERING	19
HOOD LIFTING	20
SEAT COVERING.....	22
SIDE COVERING L.H.....	24
FRONT WHEEL - STEERING - PART 1	26
FRONT WHEEL - STEERING - PART 2	28
TRAVEL DRIVE	30
FRAME COMPLETE	32
MAIN SWEEPER GROUP	34
BROOM LIFTING	36
BROOM ADJUSTMENT.....	38
BROOM ROCKER - PART 1	40
BROOM ROCKER - PART 2	42
BROOM ROCKER L.H.	44
FLAP APRON HANDLING	46
HYDRAULICS.....	48
HYDRAULIC UNIT	50
VALVE BLOCK	52
HYDRAULIC DIAGRAM.....	54
FILTER SYSTEM	56
FILTER SYSTEM COMPLETE	58
OSCILLATING FRAME	60
SUCTION	62
SUCTION FAN	63
FAN WHEEL WITH BELT.....	64
FAN BEARING	65
TENSION LEVER.....	66
HIGH LIFT DUMPING	68
HOPPER LIFTING - PART 1	70
MAGNETIC BRIDGE SENSOR COMPLETE.....	72
HOPPER LIFTING - PART 2	74
DIRT CONTAINER	76
REAR WHEELS - BRAKE	78
PARKING BRAKE.....	80
ELECTRICAL SYSTEM	82

CONTROL PANEL R.H.	84
DRIVE CONTROL COMPLETE.	86
DRIVING CONTROL	88
MODULE BLOCK	90
EQUIPMENT OF FOREFRONT	92
ACCELERATOR PEDAL - PART 1	94
ACCELERATOR PEDAL - PART 2	96
VENTING KIT	98
LABELS.	100

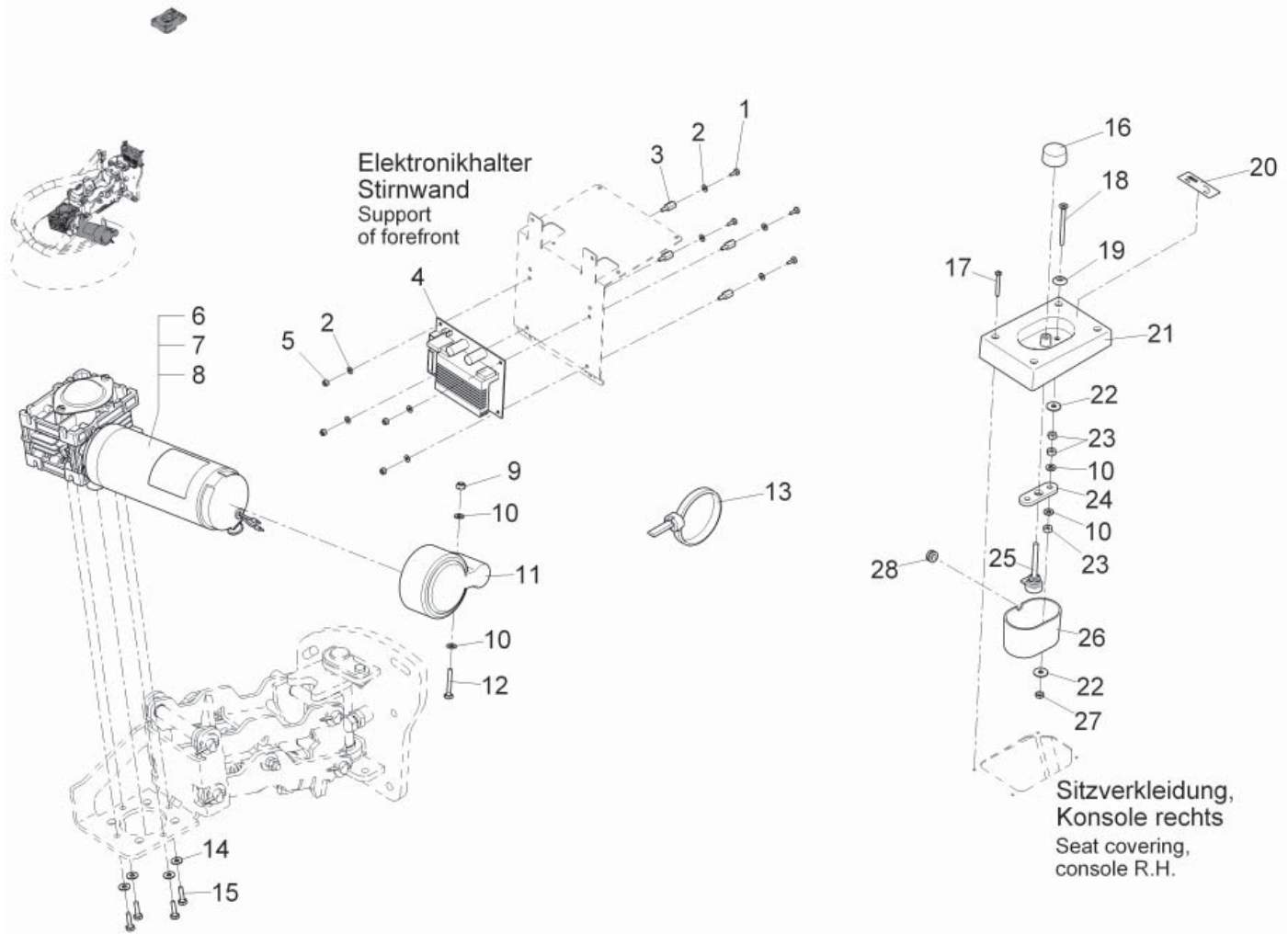
Side Broom R.H. - Part 1



PARTS LIST - SIDE BROOM R.H. - PART 1			
ITEM	PART NO.	QTY	DESCRIPTION
1	01154020	1	BRACKET R.H.
2	00053160	3	HEXAGON SCREW
3	00740290	3	DETENT EDGED WASHER
4	01154310	2	SEALING PLUG
5	00053110	5	HEXAGON SCREW
6	00740090	1	DETENT EDGED WASHER
7	99642300	1	SIDE BROOM, PERLON
8	00047080	1	WASHER
9	00123690	1	HEX.BOLT
10	00047990	4	DISK WHEEL
11	00967760	3	CABLE TIE
12	00051500	5	HEX. NUT
13	00740260	1	CYLINDER, COMPLETE
14	00740270	2	CYLINDER HEAD SCREW
15			SIDE BROOM R.H. COMPLETE
16	01111410	3	ROUND HEAD SCREW
17	00046520	3	WASHER
18	01076170	1	WASHER
19	01076180	1	BUSHING
20	00133550	1	RETAINING RING
21	01079990	1	NILOS-RING
22	01054380	1	REJECTING PLATE
23	01054550	1	CARRIER

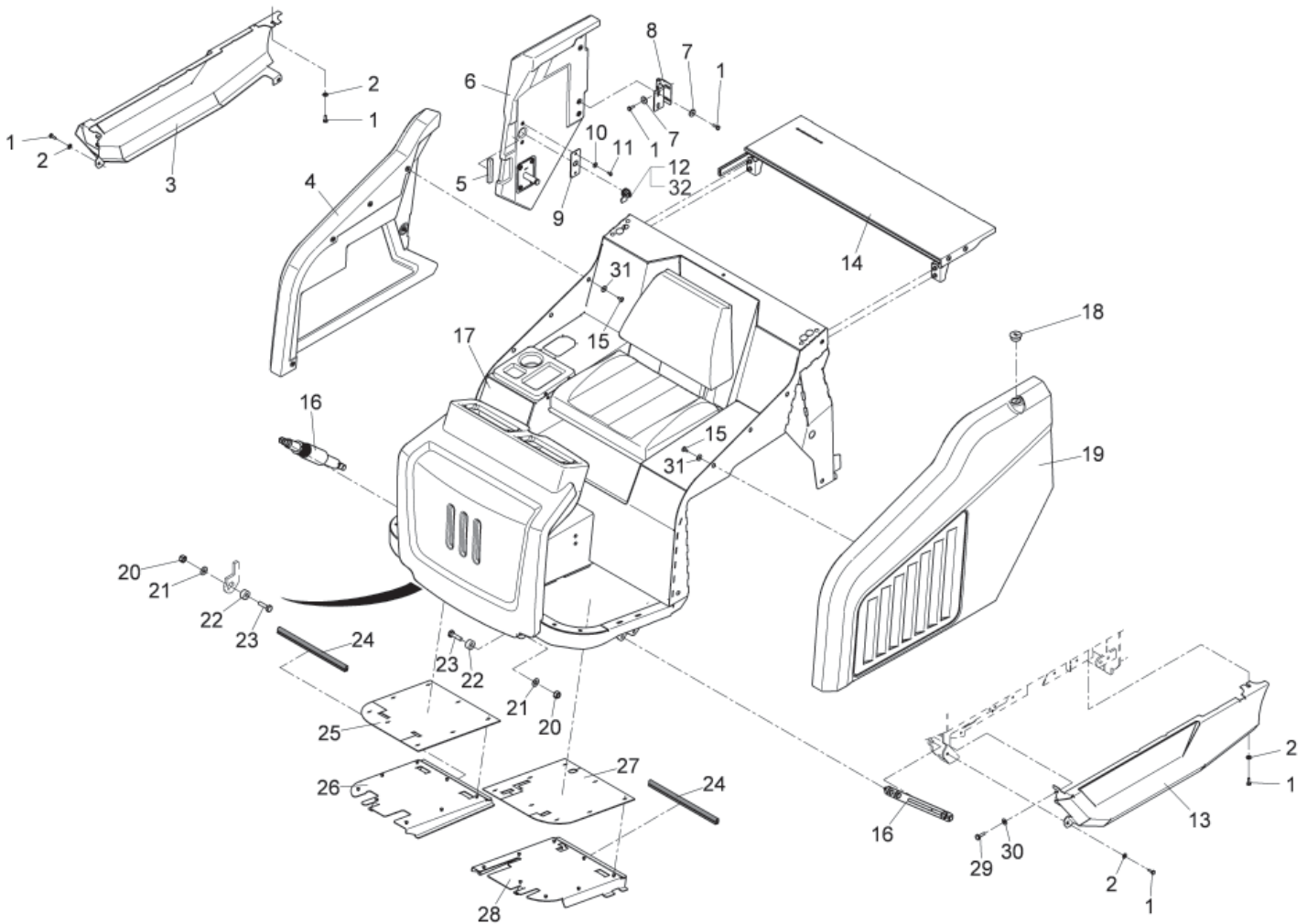
PARTS LIST - SIDE BROOM R.H. COMPLETE			
ITEM	PART NO.	QTY	DESCRIPTION
1	01154400	1	ANGLE
2	01055290	8	SLIDE BEARING BUSH
3	01154410	4	BOLT
4	01154110	1	ROCKER UPPER
5	00134780	6	WASHER
6	00961520	4	COTTER PIN
7	01154010	1	RETAINER R.H.
8	03001540	1	DECAL
9	00480430	1	HAND WHEEL
10	00734800	1	PRESSURE SPRING
11	00744340	1	HEX. NUT
12	00042900	3	WASHER
13	01154200	1	ROCKER LOWER
14	00053350	5	HEX. NUT
15	00740210	1	THREADED ROD
16	00740230	1	WEDGE NUT
17	00051510	3	HEX. NUT
18	01291960	1	DETENT EDGED WASHER
19	00735690	2	EYE BOLT
20	00054640	1	TENSION SPRING
21	00873870	1	ANGLE JOINT
22	00053780	3	WASHER
23	00053740	2	HEX. NUT
24	00053100	1	HEXAGON SCREW
25	01154420	1	BOLT
26	01154430	1	BASE PLATE R.H.
27	00693180	1	HEX.BOLT
28	00074710	1	HEX. NUT
29	00053160	1	HEXAGON SCREW
30	00509010	2	WASHER
31	00740200	2	SLIDE BEARING BUSH

Side Broom R.H. - Part 2



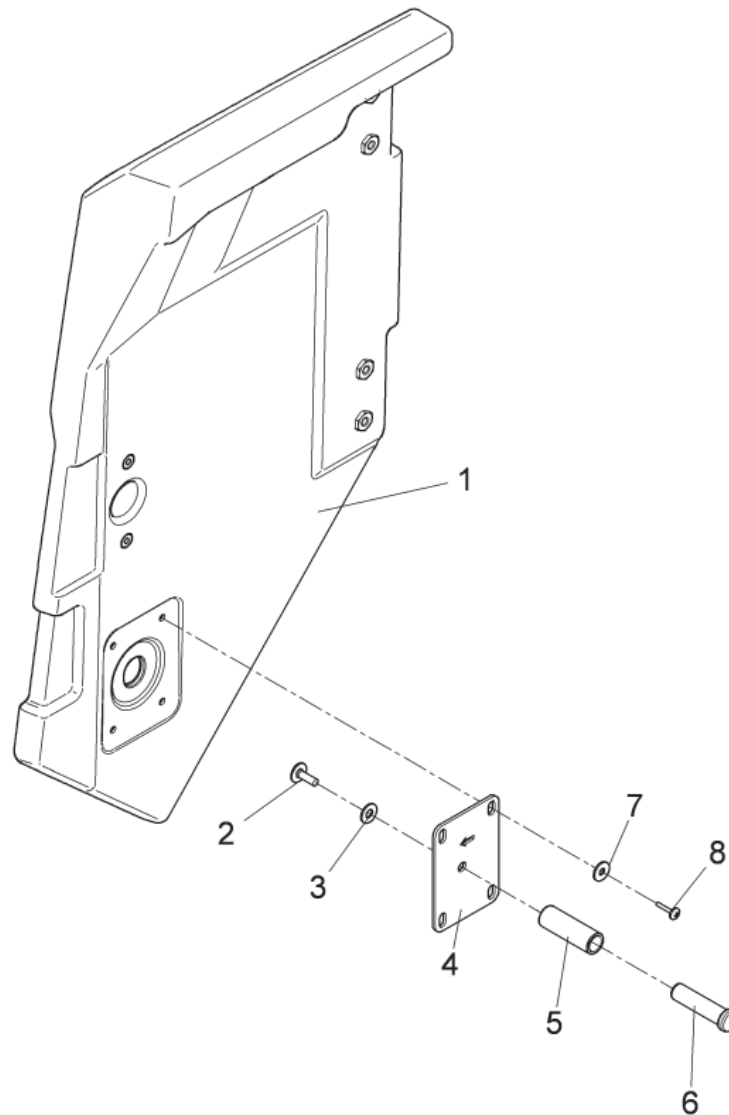
PARTS LIST - SIDE BROOM R.H. - PART 2			
ITEM	PART NO.	QTY	DESCRIPTION
1	00132360	4	LENS HEAD SCREW M4X10
2	00874720	9	WASHER
3	00053680	4	DISTANCE BOLT
4	01072710	1	SIDE BRUSH
5	00133830	5	HEX. NUT
6	01058910	1	GEAR MOTOR
7	01172230	1	MOTOR
8	01172350	1	GEAR
9	00051520	1	HEX. NUT
10	00053730	6	WASHER
11	01059800	1	LENS CAP
12	00053290	1	HEXAGON SCREW
13	00967760	3	CABLE TIE
14	00730940	4	DETENT EDGED WASHER
15	00053020	4	HEXAGON SCREW
16	00879760	1	TURNING KNOB
17	00740490	4	TAPPING SCREW
18	00120130	2	COUNTERSUNK SCREW
19	00157690	2	ANNULAR PLATE
20	***	1	SPARE PART ON REQUEST
21	03002250	1	COVER
22	00135120	4	WASHER
23	00053330	6	HEX. NUT
24	03002260	1	PLATE
25	01070890	1	POTENTIOMETER, COMPLETE
26	03002270	1	HOOD
27	00135790	2	HEX. NUT
28	00534290	1	CABLE SLEEVE

Covering



PARTS LIST - COVERING			
ITEM	PART NO.	QTY	DESCRIPTION
1	00053090	14	HEXAGON SCREW
2	00740090	6	DETENT EDGED WASHER
3	03010930	1	SIDE PLATE R.H.
4	03010940	1	SIDE COVERING R.H.
5	01110920	0,100	FOAM RUBBER
6	***	1	SIDE DOOR R.H.
7	00047990	8	DISK WHEEL
8	01078110	2	HINGE
9	01153490	1	LOCK RETAINER
10	00135120	2	WASHER
11	00104500	2	HEXAGON SCREW
12	00875980	1	SASH FASTENER
13	03011010	1	SIDE PLATE L.H.
14	***	1	SHEET METAL COVERING
15	01006820	11	LENS FLANGE SCREW
16	***	1	HOOD LIFTING
17	***	1	SEAT COVERING B (E)
18	01154270	1	SEALING PLUG
19	***	1	SIDE COVERING L.H. B (E)
20	01102650	2	HEX. NUT
21	01291960	2	DETENT EDGED WASHER
22	***	2	SPARE PART ON
23	00731450	2	REQUEST HEX.BOLT
24	00750430	0,690	EDGE PROTECTION
25	01153740	1	FLOOR MAT R.H.
26	***	1	SPARE PART ON REQUEST
27	01153110	1	FLOOR MAT L.H.
28	***	1	SPARE PART ON REQUEST
29	00053160	2	HEXAGON SCREW
30	00740290	2	DETENT EDGED WASHER
31	00740080	11	WASHER

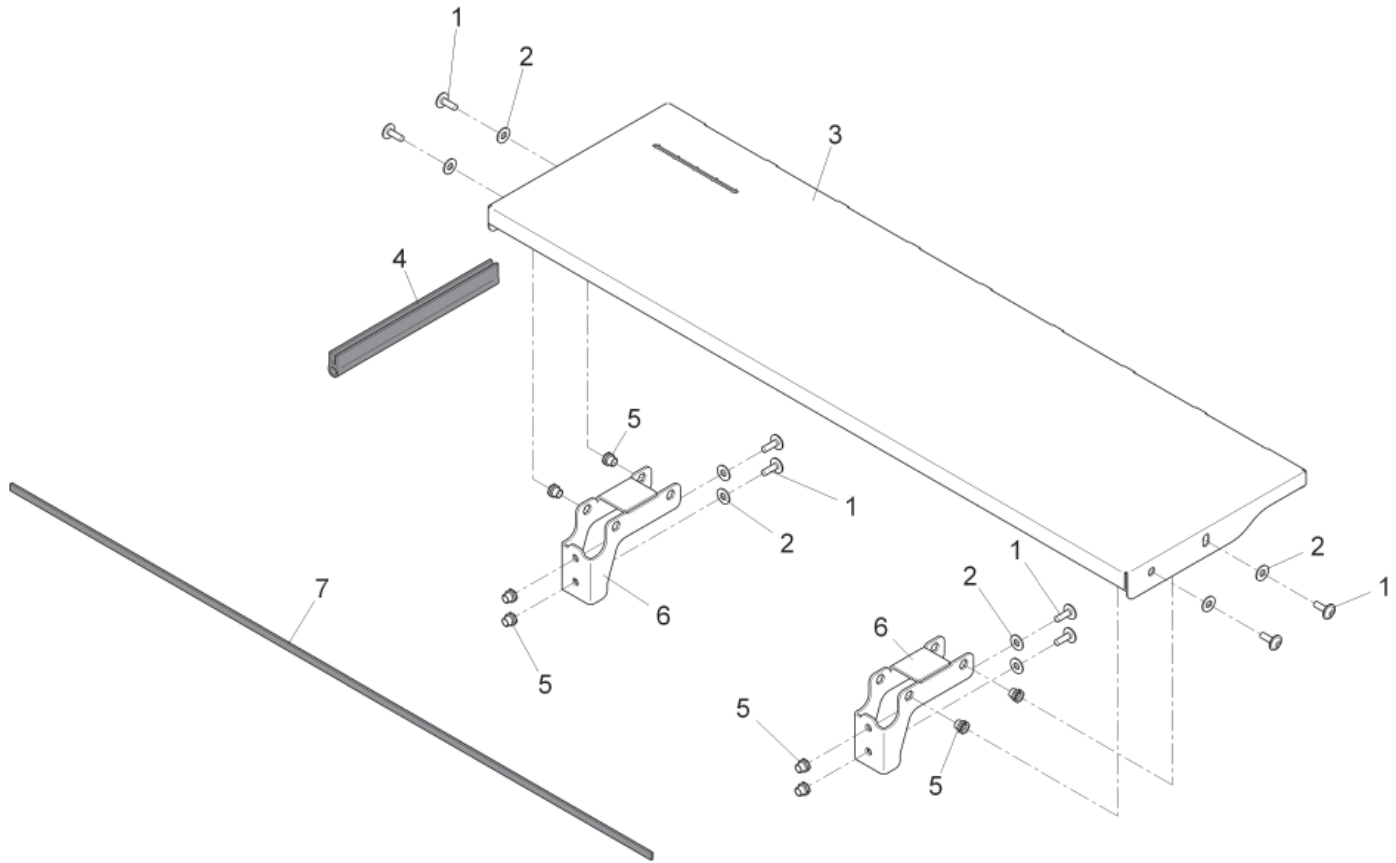
Side Door R.H.



PARTS LIST - SIDE DOOR R.H.

ITEM	PART NO.	QTY	DESCRIPTION
1	01154520	1	SIDE DOOR R.H.
2	01000670	1	LENS FLANGE SCREW
3	00740090	1	DETENT EDGED WASHER
4	01154920	1	PLATE
5	01154930	1	SLEEVE
6	01154940	1	PIN
7	00135120	4	WASHER
8	01074430	4	SCREW

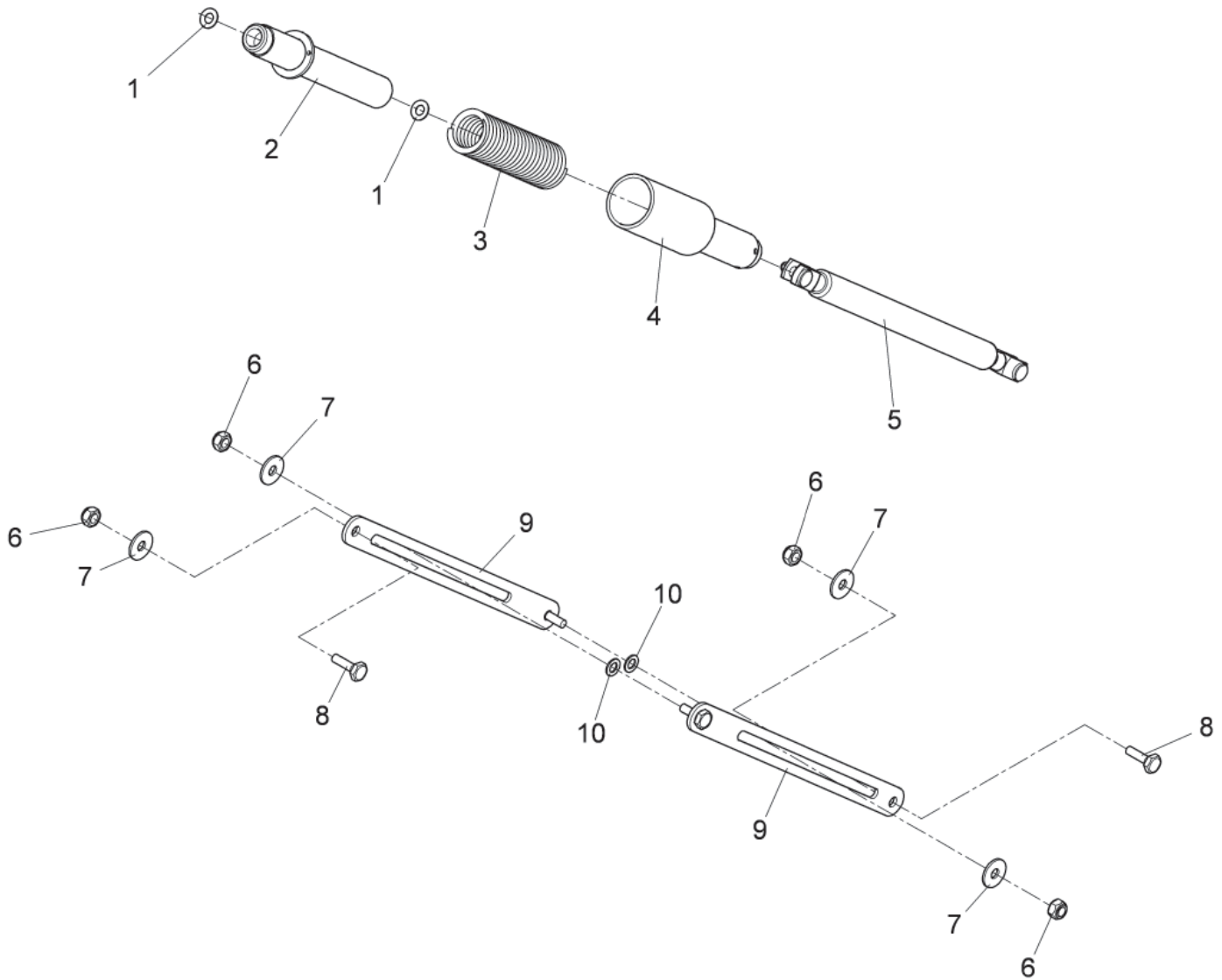
Sheet Metal Covering



PARTS LIST - SHEET METAL COVERING

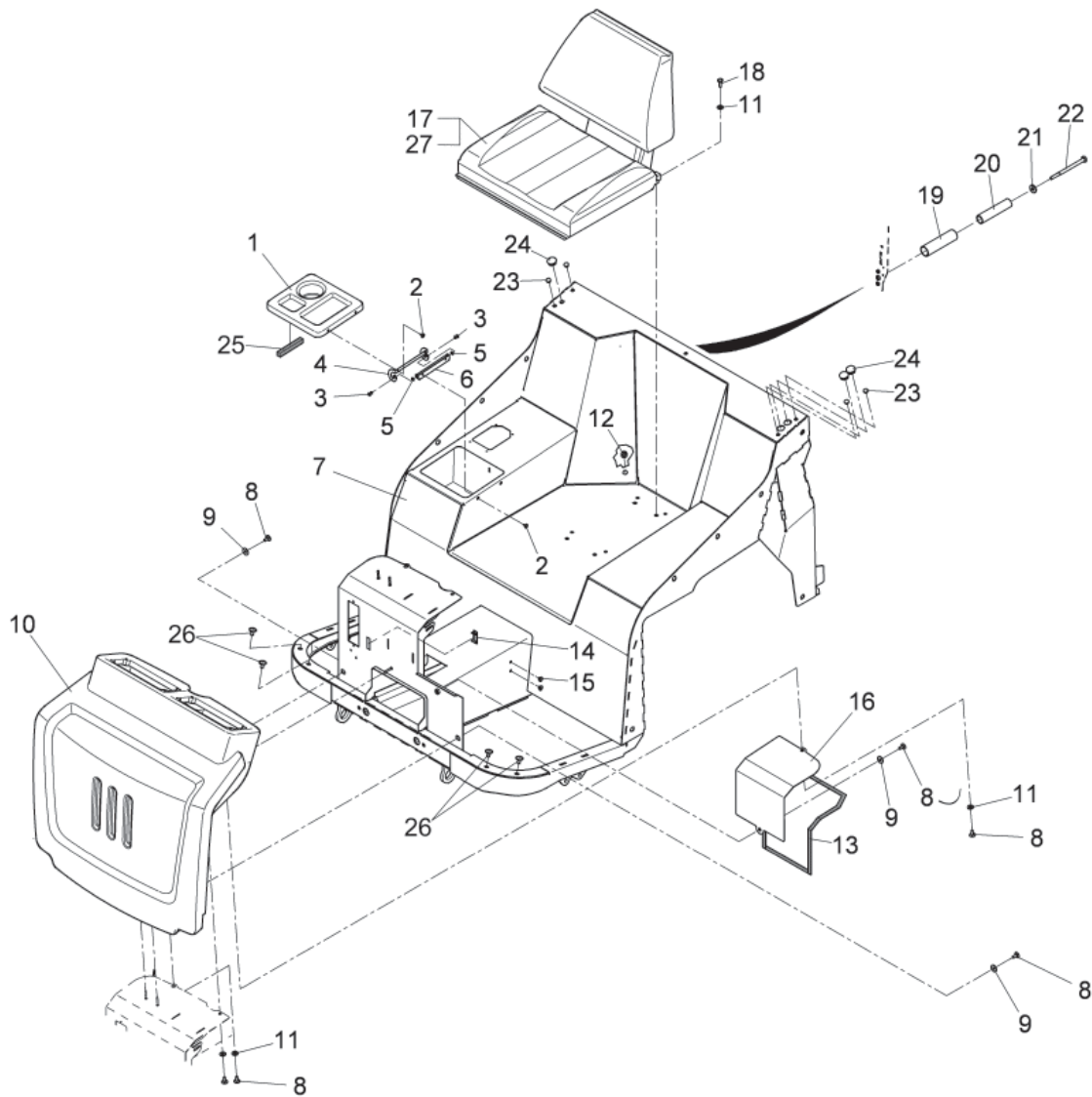
ITEM	PART NO.	QTY	DESCRIPTION
1	01000670	8	LENS FLANGE SCREW
2	00740090	8	DETENT EDGED WASHER
3	***	1	SPARE PART ON REQUEST
4	01154390	140 MM	SEALING PROFILE
5	01130110	8	NUT
6	***	2	SPARE PART ON REQUEST
7	00420290	1000 MM	GASKET WHITE

Hood Lifting



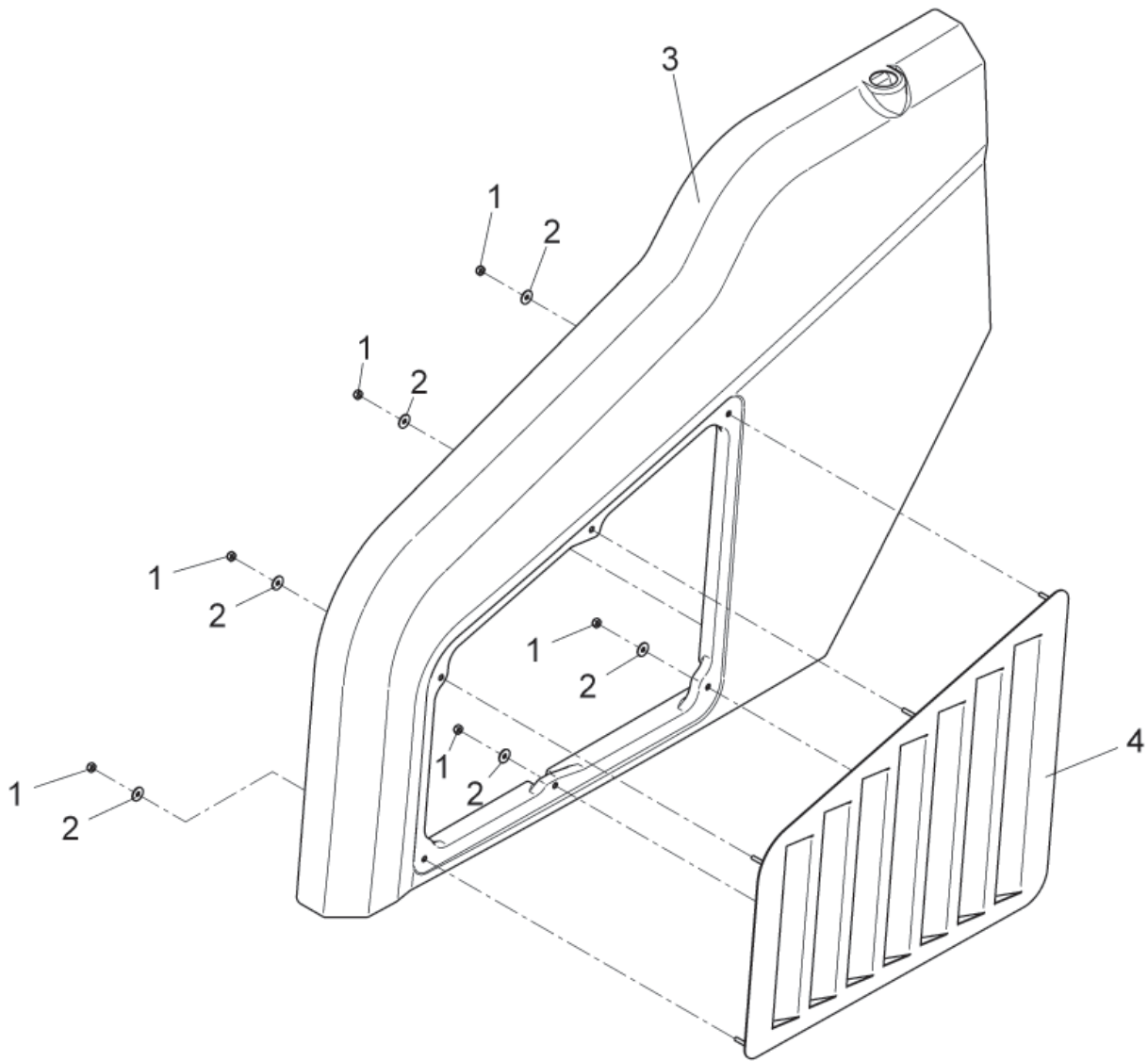
PARTS LIST - HOOD LIFTING			
ITEM	PART NO.	QTY	DESCRIPTION
1	00075240	2	BELLEVILLE SPRING
2	01154560	1	WASHER PROTECTION PIPE
3	01059950	1	PRESSURE SPRING CENTER
4	01070670	1	GAS-PRESSURIZED
5	01059940	1	SPRING
6	00051500	4	HEX. NUT
7	00046520	4	WASHER
8	00053160	2	HEXAGON SCREW
9	03001400	2	BRACKET, COMPLETE
10	00962220	2	WASHER

Seat Covering



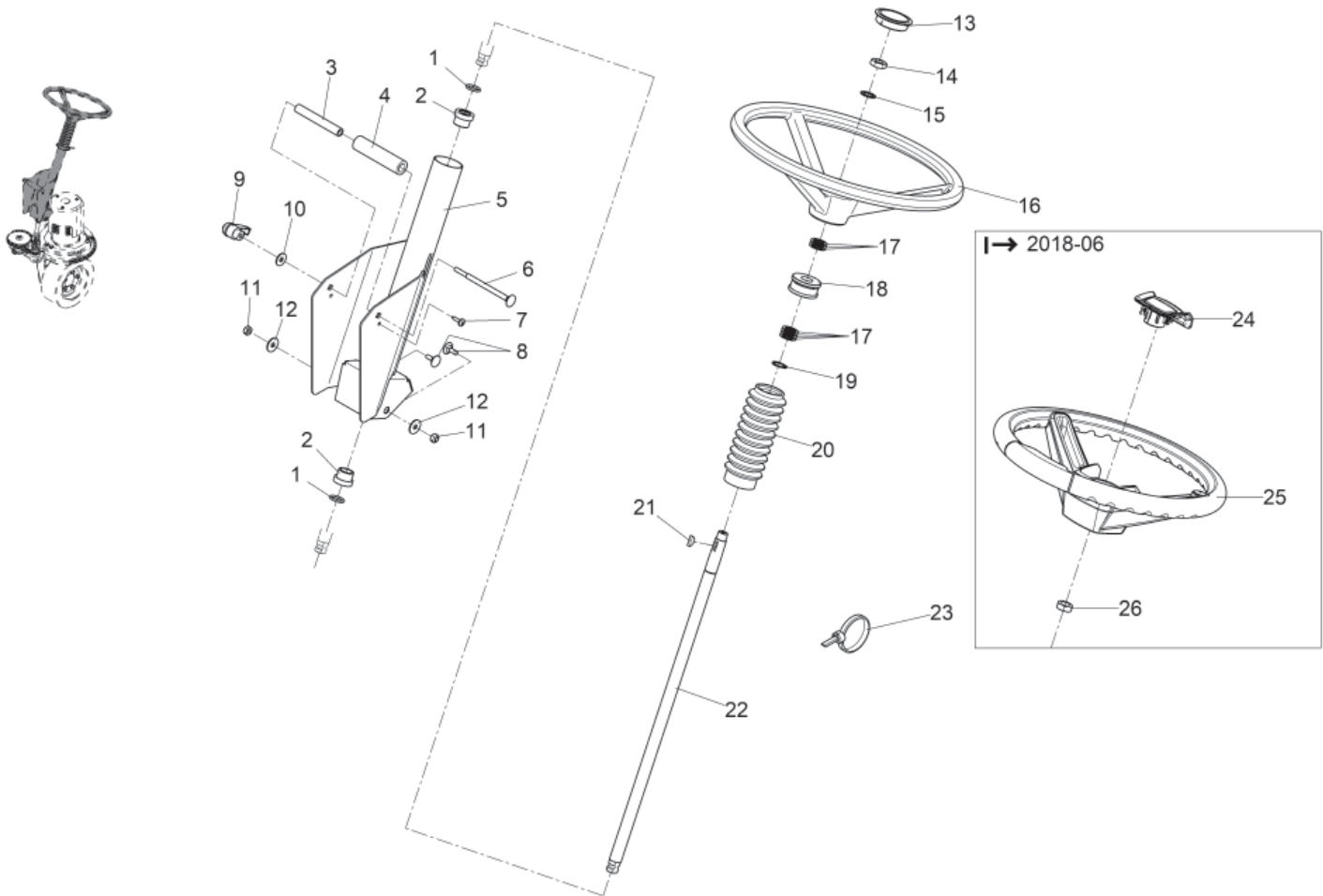
PARTS LIST - SEAT COVERING			
ITEM	PART NO.	QTY	DESCRIPTION
1	00492340	1	COVER
2	00747160	4	TAPPING SCREW
3	00134060	2	RIVET
4	00740500	1	HINGE
5	00053720	2	WASHER
6	00740510	1	ANGLE
7	03011180	1	SEAT COVERING
8	01006820	6	LENS FLANGE SCREW
9	00740080	3	WASHER
10	03011190	1	CONSOLE
11	00740090	7	DETENT EDGED WASHER
12	00856240	1	CABLE SLEEVE
13	01075290	1200 MM	GASKET WHITE
14	01132930	1	CAP
15	00523330	2	DRAIN PLUG
16	01154360	1	SHEET METAL COVER
17	01152290	1	SEAT WITH ADJUSTING RAIL
18	00053090	4	HEXAGON SCREW
19	01133490	130 MM	SOFT-GRIP-HOSE
20	01153510	1	HANDLE
21	00855380	1	WASHER
22	00504920	1	HEX.BOLT
23	00025250	4	DRAIN PLUG
24	00904090	2	DRAIN PLUG
25	01110920	100 MM	FOAM RUBBER
26	01131350	4	LENS HEAD SCREW
27	01153990	1	SEAT CONTACT SWITCH

Side Covering L.H.



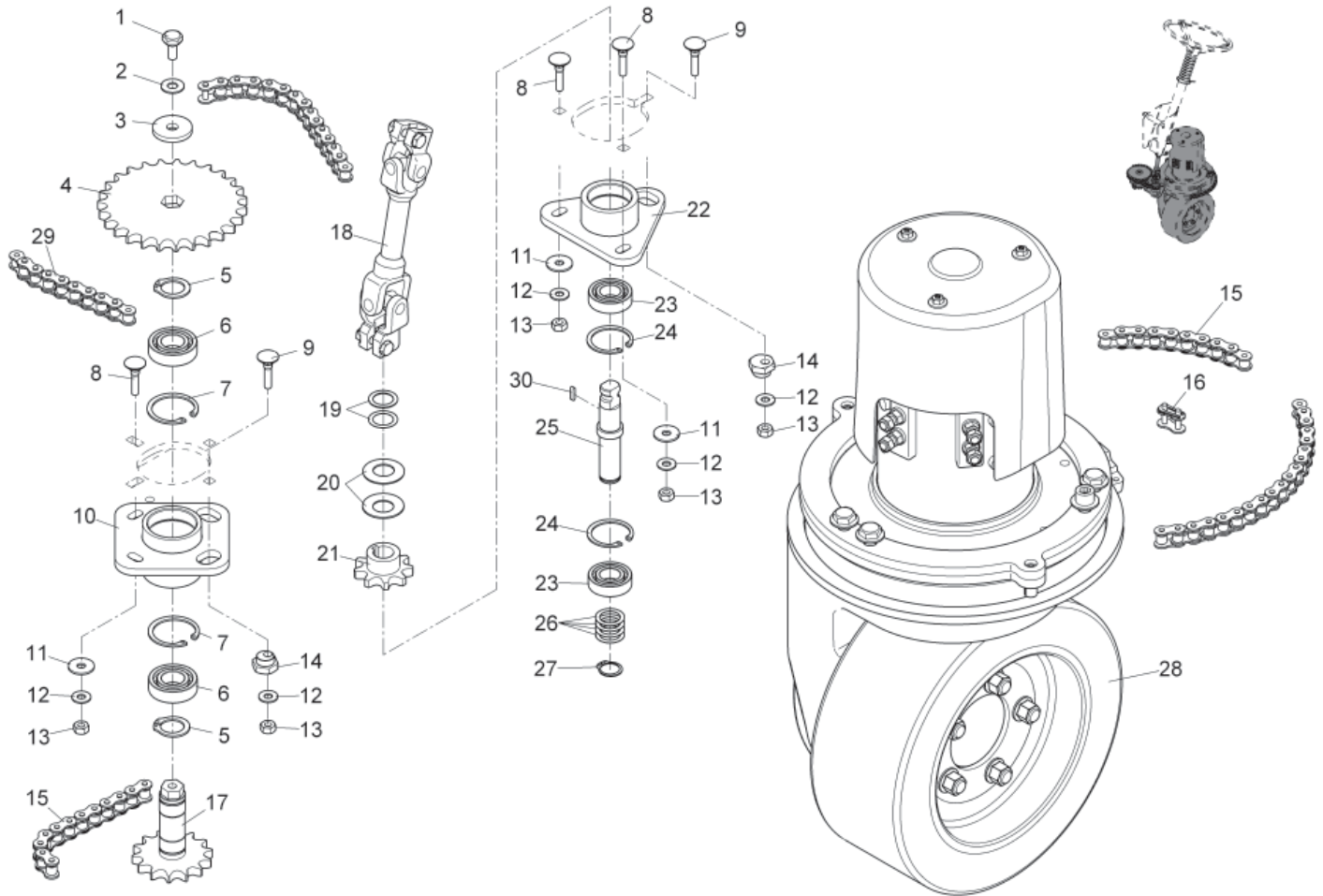
PARTS LIST - SIDE COVERING L.H.			
ITEM	PART NO.	QTY	DESCRIPTION
1	00051520	6	HEX. NUT
2	00135120	6	WASHER
3	03012710	1	SIDE COVERING L.H.
4	01155090	1	RADIATOR GRILL

Front Wheel - Steering - Part 1



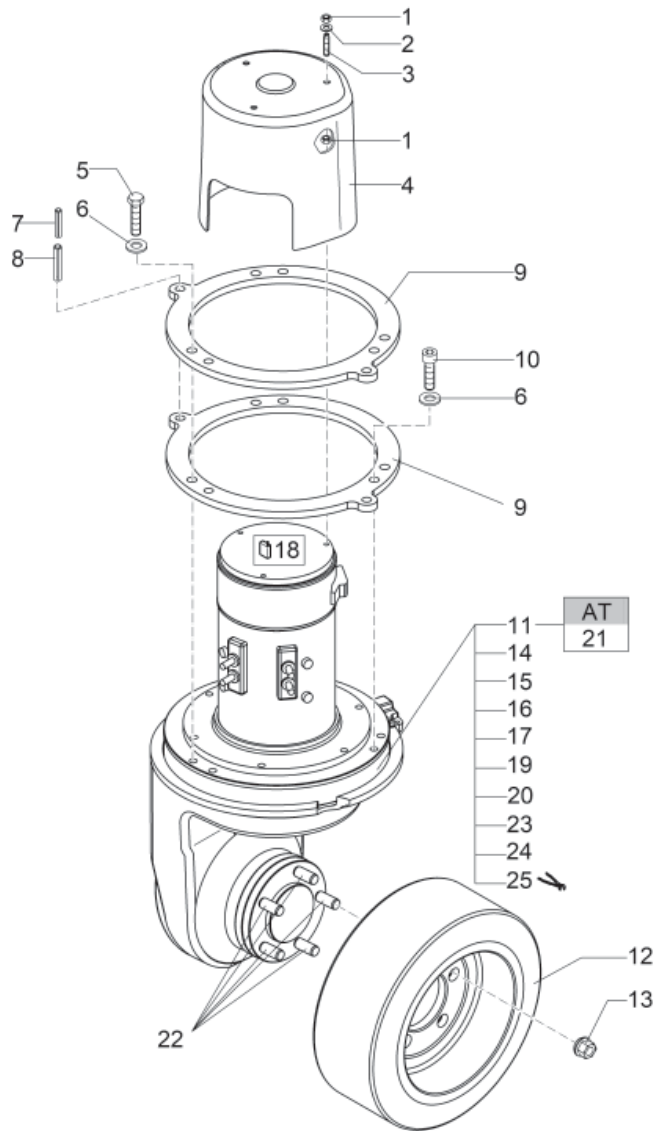
PARTS LIST - FRONT WHEEL - STEERING - PART 1			
ITEM	PART NO.	QTY	DESCRIPTION
1	00554400	2	O-RING OIL RESISTANT
2	00523630	2	BUSHING
3	00291080	0,100	HOSE
4	01155070	1	AXLE
5	03018580	1	PIPE
6	00740910	1	ROUND HEAD SCREW
7	00740900	1	TAPPING SCREW
8	00878410	2	ROUND HEAD SCREW
9	00875930	1	CLAMPING LEVER
10	00740080	1	WASHER
11	00051510	2	HEX. NUT
12	00042900	2	WASHER
13	01177600	1	CAP
14	00074350	1	HEX. NUT
15	00075290	1	TOOTHED WASHER
16	00251100	1	STEERING WHEEL
17	00153700	6	ADJUSTING WASHER
18	00740880	1	BUSHING
19	00054310	1	RETAINING RING
20	00740890	1	BELLOWS
21	00153600	1	WOODRUFF KEY
22	00392260	1	SHAFT
23	00967760	1	CABLE TIE
24	01371230	1	STEERING WHEEL CAP
25	01371160	1	STEERING WHEEL
26	***	1	SPARE PART ON REQUEST

Front Wheel - Steering - Part 2



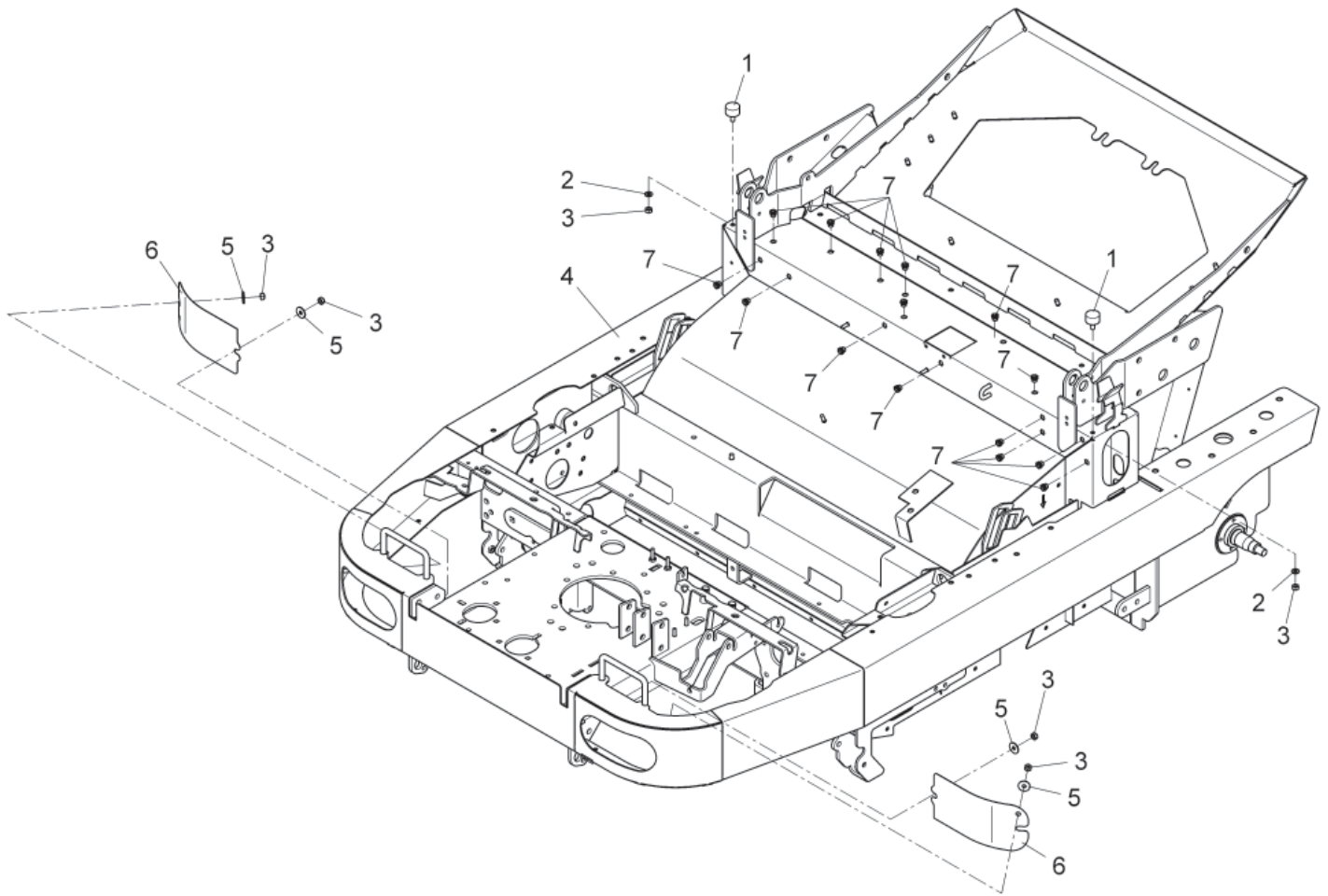
PARTS LIST - FRONT WHEEL - STEERING - PART 2			
ITEM	PART NO.	QTY	DESCRIPTION
1	00021130	1	HEX.BOLT
2	00740290	1	DETENT EDGED WASHER
3	00047080	1	WASHER
4	01058850	1	SPROCKET WHEEL
5	00535870	2	RETAINING RING
6	00281050	2	DEEP GROOVE BALL BEARING
7	00054230	2	RETAINING RING
8	00864520	4	ROUND HEAD SCREW
9	00078920	3	ROUND HEAD SCREW
10	01058860	1	PLATE
11	00042900	4	WASHER
12	00740090	7	DETENT EDGED WASHER
13	00053350	7	HEX. NUT
14	00740860	3	ECCENTRIC CAM
15	00492530	1	ROLLER CHAIN
16	00537280	3	LINK
17	01058840	1	SPROCKET WHEEL
18	00492520	1	CARDAN SHAFT
19	00153700	1	ADJUSTING WASHER
20	00045030	2	BELLEVILLE SPRING WASHER
21	00521170	1	SPROCKET WHEEL
22	00740840	1	PLATE
23	00046250	2	DEEP GROOVE BALL BEARING
24	00154440	2	RETAINING RING
25	01058820	1	SHAFT
26	00046430	4	ADJUSTING WASHER
27	00054310	1	RETAINING RING
28	***	1	TRAVEL DRIVE
29	01058810	1	ROLLER CHAIN
30	00153010	1	FEATHER KEY

Travel Drive



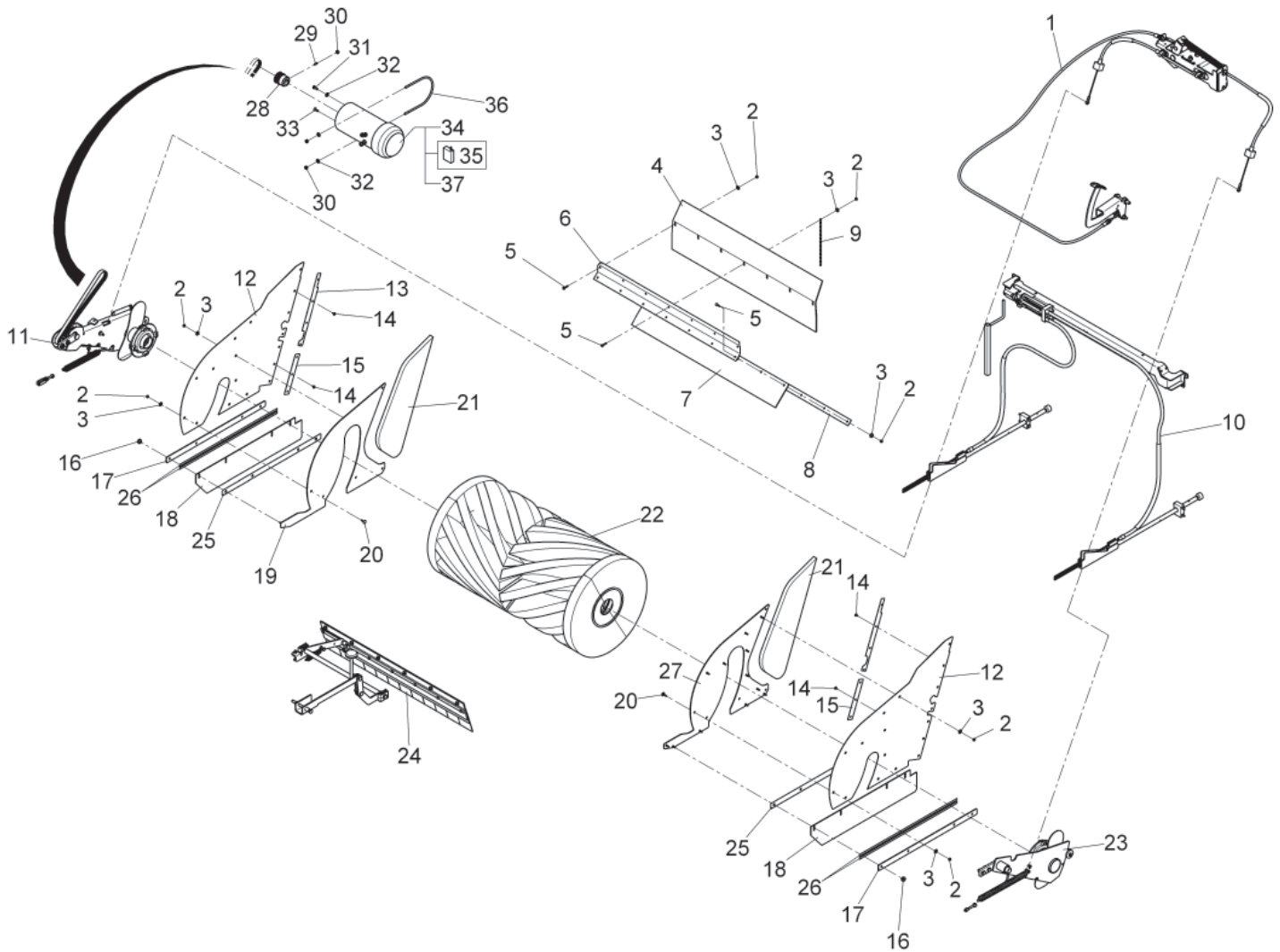
PARTS LIST - TRAVEL DRIVE			
ITEM	PART NO.	QTY	DESCRIPTION
1	00053330	6	HEX. NUT
2	00135120	3	WASHER
3	00976520	3	THREADED PIN
4	01058780	1	HOOD
5	00054830	5	HEX.BOLT
6	00875950	6	WASHER
7	00527430	2	DOWEL PIN
8	00121650	2	DOWEL PIN
9	01058790	2	RETAINING RING
10	00500080	1	CYLINDER HEAD SCREW
11	00910150	1	WHEEL DRIVE
12	01051310	1	FRONT WHEEL
13	00854640	5	SPHERICAL COLLAR NUT
14	00912540	1	ROTARY SHAFT SEAL
15	01177100	1	THERMO GUARD
16	03502920	1	ROTOR
17	03502250	1	SPUR GEAR SET
18	00976490	4	CARBON BRUSH
19	01006180	1	PIN HOUSING
20	01006200	1	SEALING PLUG
21	00000970	1	WHEEL DRIVE
22	01276620	5	WHEEL BOLT
23	01006190	2	SEAL
24	01006210	2	PIN CONTACT
25	03503090	1	REPAIRING SET TAPERED ROLLER BEARING

Frame Complete



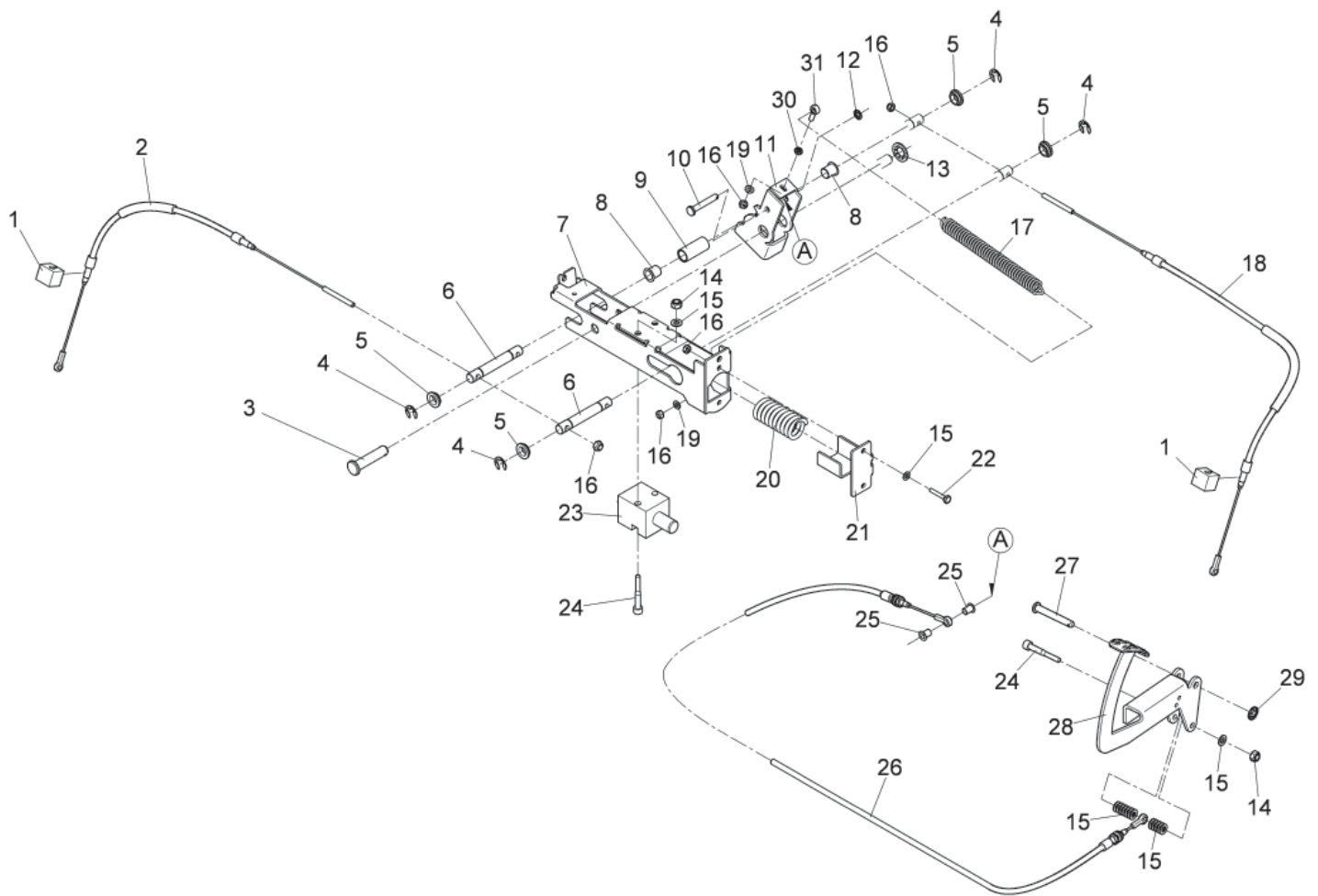
PARTS LIST - FRAME COMPLETE			
ITEM	PART NO.	QTY	DESCRIPTION
1	01154090	2	BUFFER
2	00053750	2	WASHER
3	00051510	6	HEX. NUT
4	03014190	1	CHASSIS
5	00042900	4	WASHER
6	01154640	1	COVERING
7	01130110	19	NUT

Main Sweeper Group



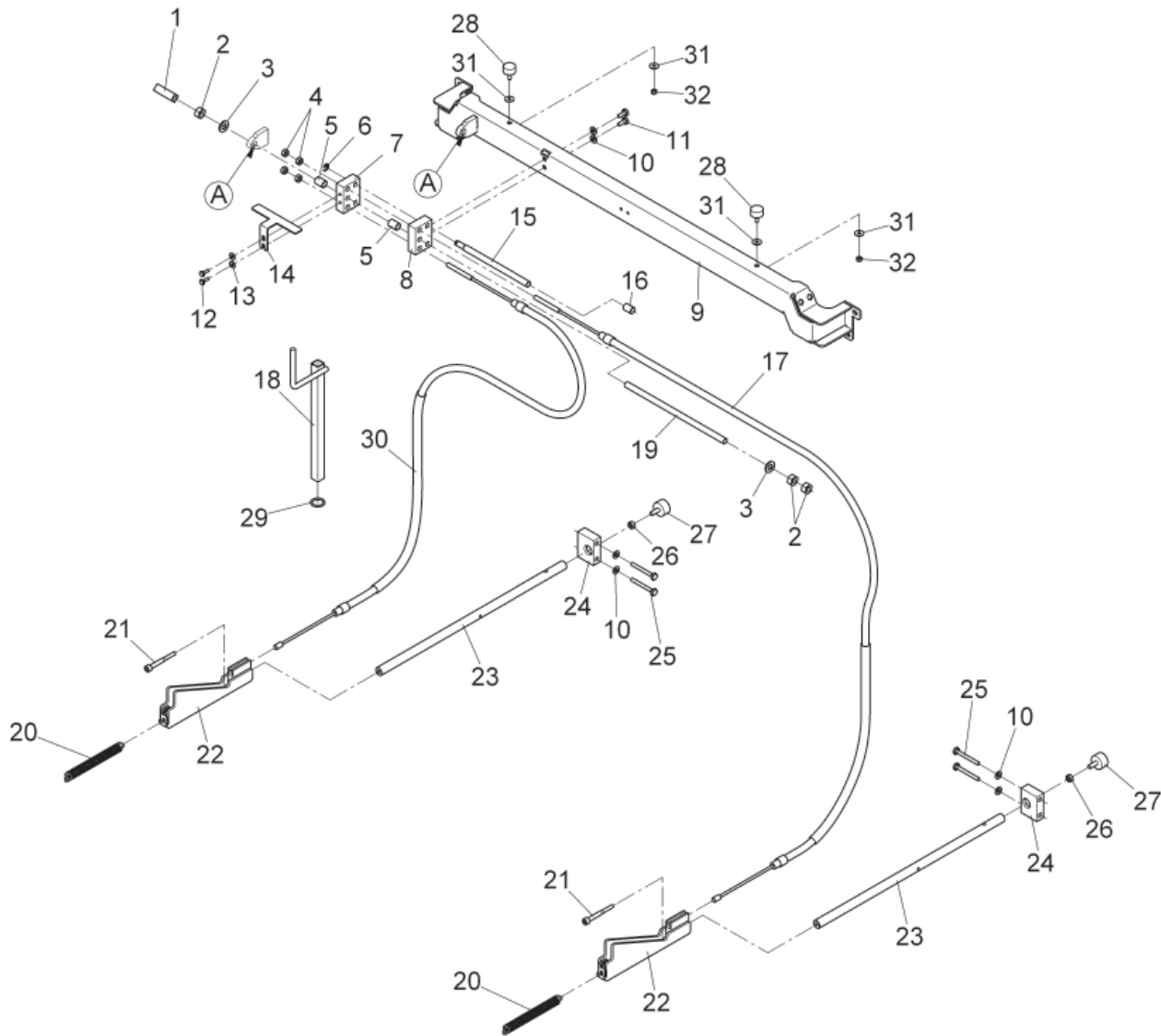
PARTS LIST - MAIN SWEEPER GROUP			
ITEM	PART NO.	QTY	DESCRIPTION
1	***	1	BROOM LIFTING
2	00051520	36	HEX. NUT
3	00135120	41	WASHER
4	01050640	1	BRUSH APRON
5	00053030	14	HEXAGON SCREW
6	00246960	1	STRIP REAR
7	01050650	1	BRUSH APRON, BACK
8	00247060	1	STRIP REAR
9	00042830	2	GROUNDING CHAIN
10	***	1	BROOM ADJUSTMENT E
11	***	1	BROOM ROCKER R.H. E
12	01152380	2	PLATE
13	01152570	2	CLAMPING PLATE 2
14	00747160	14	TAPPING SCREW
15	01152560	2	CLAMPING PLATE 1
16	00903210	8	KNURLED NUT
17	01152550	2	CLAMPING PLATE
18	01152280	2	SIDE SKIRT
19	01152630	1	FOLDING PLATE R.H.
20	01142870	6	ROUND HEAD SCREW
21	00161820	2	CUSHION
22	99641300	1	MAIN BROOM PES
23	***	1	BROOM ROCKER L.H.
24	***	1	FLAP APRON HANDLING
25	01153570	2	CLAMPING PLATE
26	01153750	4	DECAL
27	01152620	1	FOLDING PLATE L.H.
28	01058330	1	V-BELT PULLEY
29	00076410	1	THREADED PIN
30	00053350	3	HEX. NUT
31	00053090	3	HEXAGON SCREW
32	00740090	5	DETENT EDGED WASHER
33	00059080	1	COUNTERSUNK SCREW
34	01058340	1	E-MOTOR
35	01058650	8	CARBON BRUSH
36	01059100	1	HANDLE
37	01133140	1	TEMPERATURE SWITCH

Broom Lifting



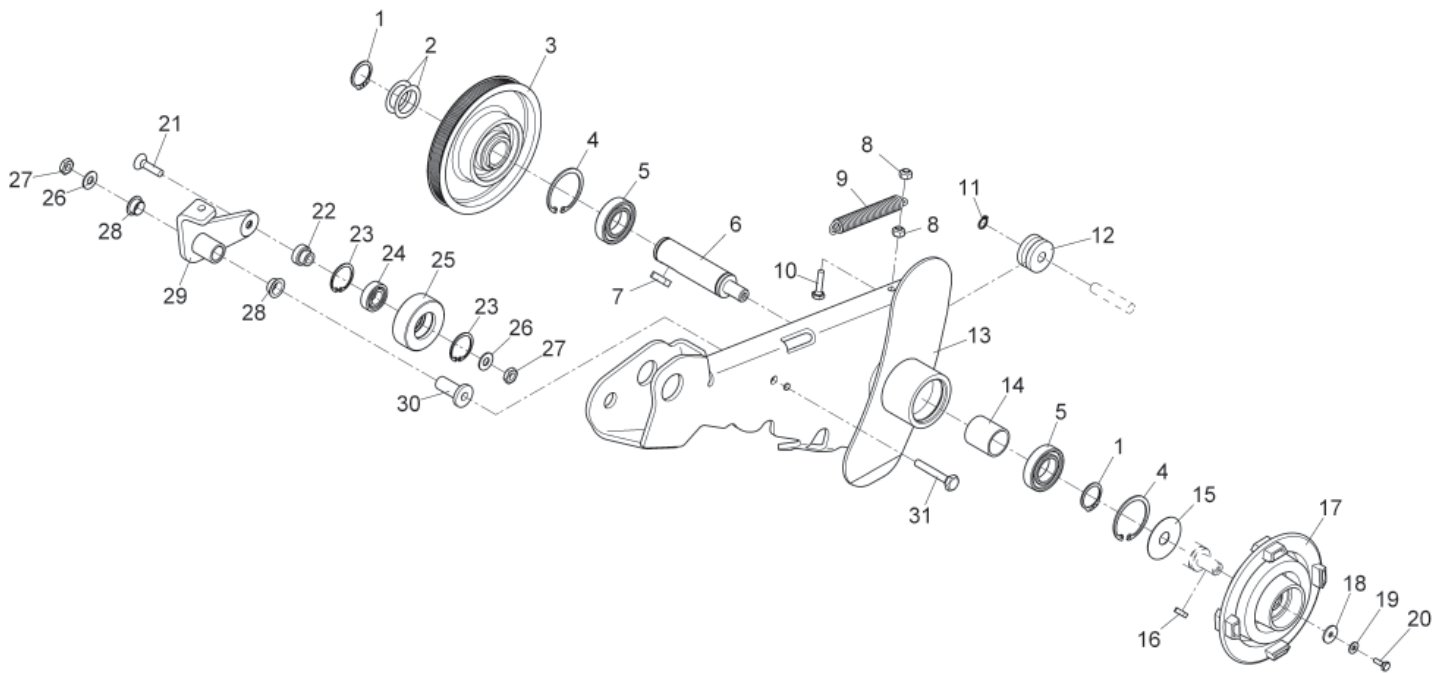
PARTS LIST - BROOM LIFTING			
ITEM	PART NO.	QTY	DESCRIPTION
1	00740570	2	BLOCK
2	01152070	1	BOWDEN CABLE
3	00740540	1	BOLT
4	00059490	4	THRUST WASHER
5	01222830	6	SLIDE BEARING BUSH
6	01154440	2	BOLT
7	00492350	1	ANGLE
8	00041410	2	SLIDE BEARING BUSH
9	01154460	1	BUSHING
10	01056640	1	BOLT
11	01154450	1	ANGLE
12	00852380	1	THRUST WASHER
13	00872300	1	THRUST WASHER
14	00051500	3	HEX. NUT
15	00053760	15	WASHER
16	00051510	7	HEX. NUT
17	00740300	1	TENSION SPRING
18	01152060	1	BOWDEN CABLE
19	00053750	5	WASHER
20	00740580	1	PRESSURE SPRING
21	00740590	1	ANGLE
22	00133700	2	HEXAGON SCREW
23	00740260	1	CYLINDER, COMPLETE
24	00740270	3	CYLINDER HEAD SCREW
25	01078360	2	SLIDE BEARING BUSH
26	01152050	1	BOWDEN CABLE
27	00879630	1	BOLT
28	01153910	1	PEDAL
29	00706180	1	THRUST WASHER
30	00046500	1	HEX. NUT
31	01066700	1	EYE BOLT

Broom Adjustment



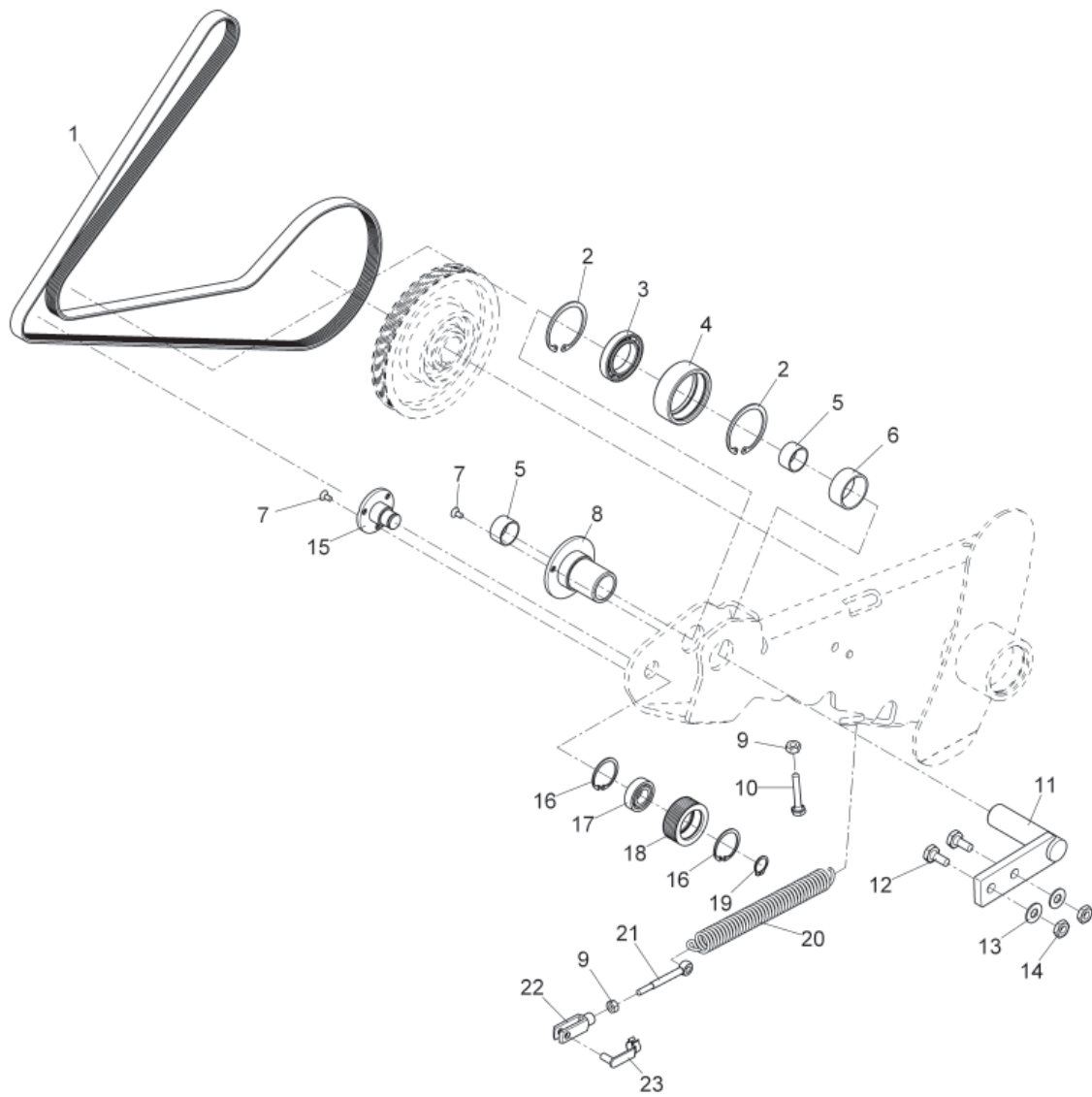
PARTS LIST - BROOM ADJUSTMENT			
ITEM	PART NO.	QTY	DESCRIPTION
1	01154210	1	SQUARE
2	00053370	3	HEX. NUT
3	00053770	2	WASHER
4	00053350	4	HEX. NUT
5	01154220	2	DISTANCE SLEEVE
6	00046280	2	THRUST WASHER
7	01154230	1	PLATE
8	01154240	1	PLATE
9	03021060	1	CROSS BEAM
10	00740310	6	WASHER
11	00053080	2	HEXAGON SCREW
12	00053010	2	HEX.BOLT
13	00730940	2	DETENT EDGED WASHER
14	01153180	1	INDICATOR
15	01154250	2	GUIDE
16	00054800	2	SLIDE BEARING BUSH
17	01152040	1	BOWDEN CABLE
18	01154670	1	CRANK
19	01154260	1	SHAFT
20	00522290	2	TENSION SPRING
21	00156680	2	CYLINDER HEAD SCREW
22	00492230	2	PLATE
23	00492220	2	ROD
24	00740320	2	BEARING
25	00027910	4	HEX.BOLT
26	00971400	2	HEX. NUT
27	00538440	2	BUFFER
28	00121740	2	STOP BUFFER
29	00078430	1	O-RING OIL RESISTANT
30	01153610	1	BOWDEN CABLE
31	00135120	4	WASHER
32	00051520	2	HEX. NUT

Broom Rocker - Part 1



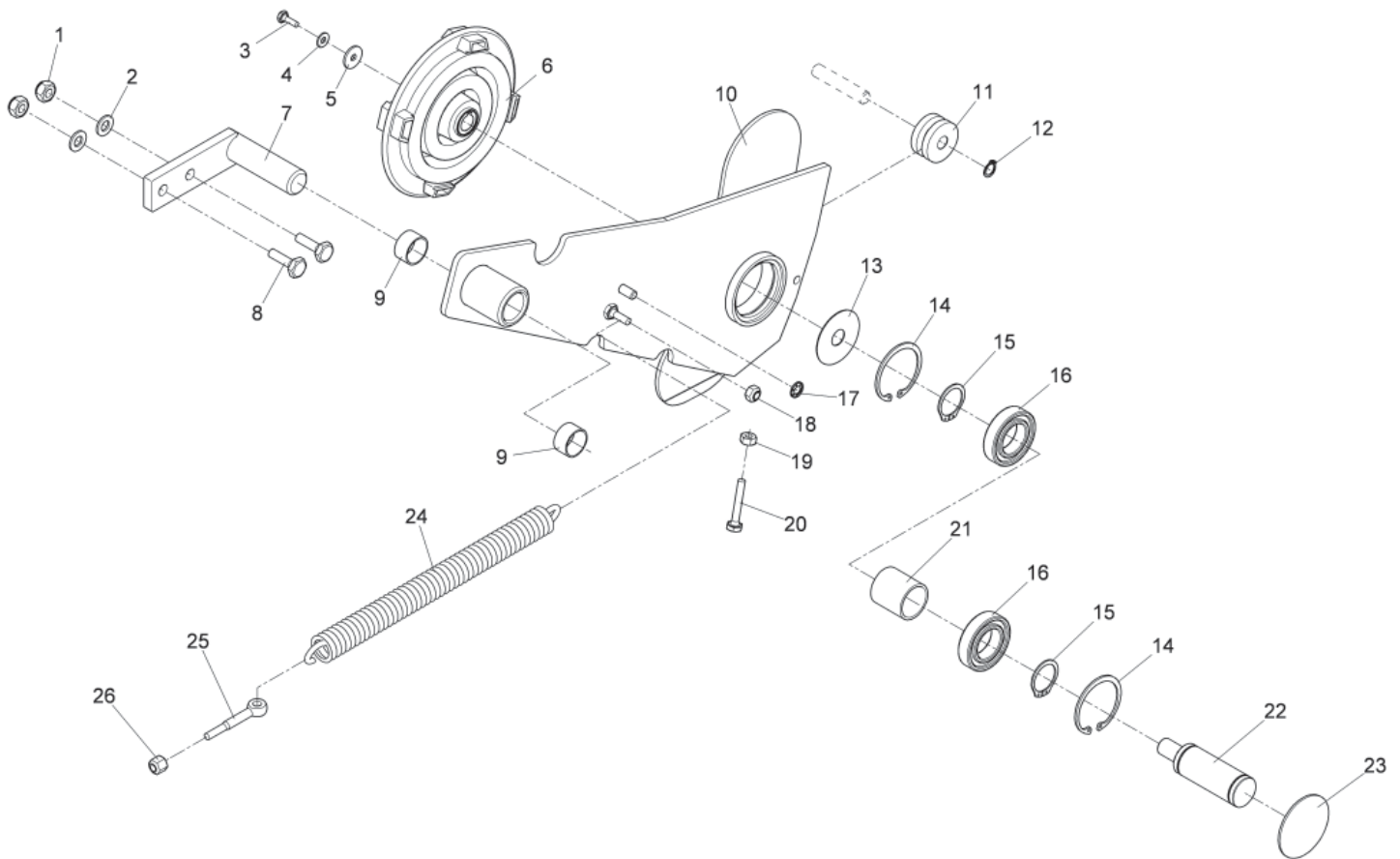
PARTS LIST - BROOM ROCKER - PART 1			
ITEM	PART NO.	QTY	DESCRIPTION
1	00054400	2	RETAINING RING
2	00155670	2	ADJUSTING WASHER
3	01058430	1	V-BELT PULLEY
4	00153110	2	RETAINING RING
5	00106500	2	DEEP GROOVE BALL BEARING
6	01058990	1	AXIS
7	00045720	1	FEATHER KEY
8	00051510	2	HEX. NUT
9	00522300	1	TENSION SPRING
10	00053110	1	HEXAGON SCREW
11	00072440	1	CIRCLIP
12	00740930	1	ROLLER
13	01154060	1	BROOM ROCKER R.H.
14	00925650	1	BUSHING
15	01154760	1	SEALING DISC
16	00022430	1	FEATHER KEY
17	00492540	1	DRIVER
18	00153200	1	WASHER
19	00730940	1	DETENT EDGED WASHER
20	00053010	1	HEX.BOLT
21	00072930	1	COUNTERSUNK SCREW
22	01059000	1	BEARING TUBE
23	00101660	2	RETAINING RING
24	00106300	1	DEEP GROOVE BALL BEARING
25	01059010	1	IDLER PULLEY
26	00740290	2	DETENT EDGED WASHER
27	00074710	2	HEX. NUT
28	01055290	2	SLIDE BEARING BUSH
29	01059060	1	LEVER
30	01059030	1	BEARING TUBE
31	00107100	1	HEX.BOLT

Broom Rocker - Part 2



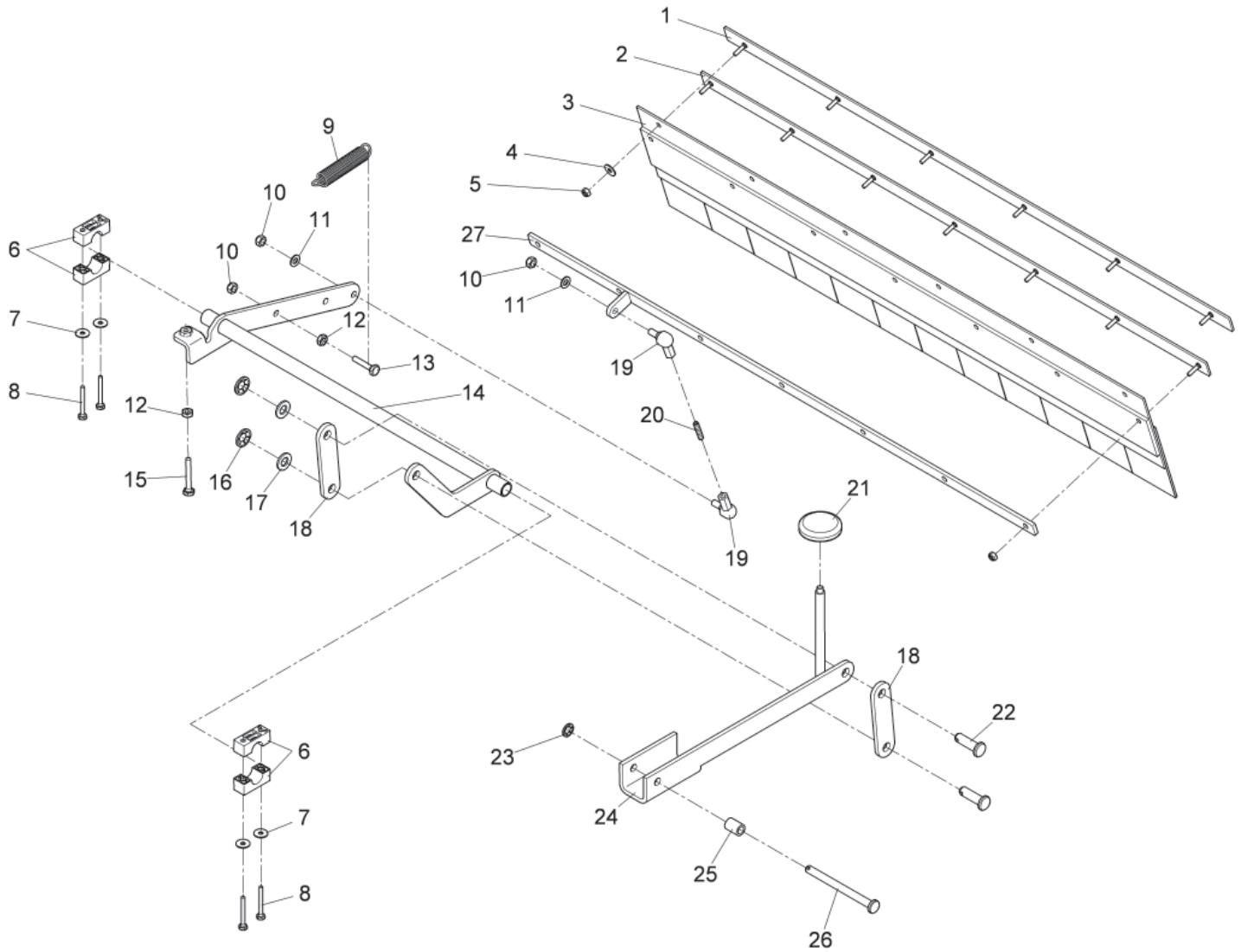
PARTS LIST - BROOM ROCKER - PART 2			
ITEM	PART NO.	QTY	DESCRIPTION
1	01058450	1	V-BELT
2	00153110	2	RETAINING RING
3	01059050	1	DEEP GROOVE BALL BEARING
4	01059040	1	IDLER PULLEY
5	00107200	2	DU-DRYING SOCKET
6	01059020	1	BUSHING
7	00555510	5	COUNTERSUNK SCREW
8	01059070	1	BEARING TUBE
9	00053350	2	HEX. NUT
10	00041600	1	HEX.BOLT
11	01154780	1	BOLT
12	00021130	2	HEX.BOLT
13	00740290	2	DETENT EDGED WASHER
14	00074710	2	HEX. NUT
15	01059080	1	BEARING NECK
16	00101660	2	RETAINING RING
17	00106300	1	DEEP GROOVE BALL BEARING
18	01058440	1	DEFLECTION PULLEY
19	00022230	1	RETAINING RING
20	00856060	1	TENSION SPRING
21	01059090	1	EYE BOLT
22	00027110	1	SWIVEL HEAD
23	00706030	1	BOLT

Broom Rocker L.H.



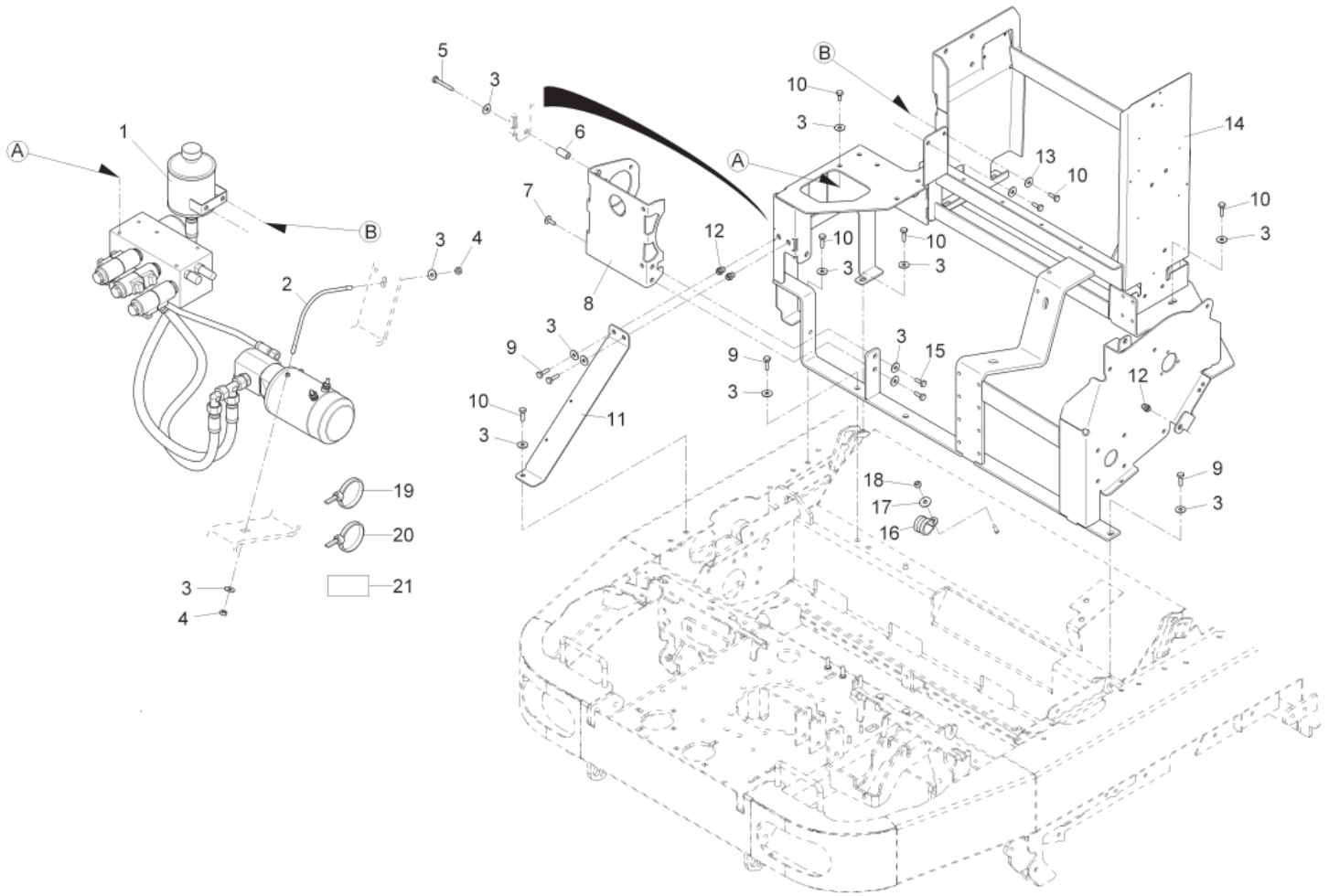
PARTS LIST - BROOM ROCKER L.H.			
ITEM	PART NO.	QTY	DESCRIPTION
1	00051500	2	HEX. NUT
2	00053760	2	WASHER
3	00053010	1	HEX.BOLT
4	00730940	1	DETENT EDGED WASHER
5	00153200	1	WASHER
6	00492540	1	DRIVER
7	01154780	1	BOLT
8	00053160	2	HEXAGON SCREW
9	00107200	2	DU-DRYING SOCKET
10	01155050	1	BROOM ROCKER L.H.
11	00740930	1	ROLLER
12	00072440	1	CIRCLIP
13	01154760	1	SEALING DISC
14	00153110	2	RETAINING RING
15	00054400	2	RETAINING RING
16	00106500	2	DEEP GROOVE BALL BEARING
17	00854420	1	THRUST WASHER
18	00051510	1	HEX. NUT
19	00053350	2	HEX. NUT
20	00041600	1	HEX.BOLT
21	00925650	1	BUSHING
22	01050140	1	AXLE
23	00740950	1	SEALING WASHER
24	00740940	1	TENSION SPRING
25	00855570	1	EYE BOLT
26	01058970	1	HEX. NUT

Flap Apron Handling



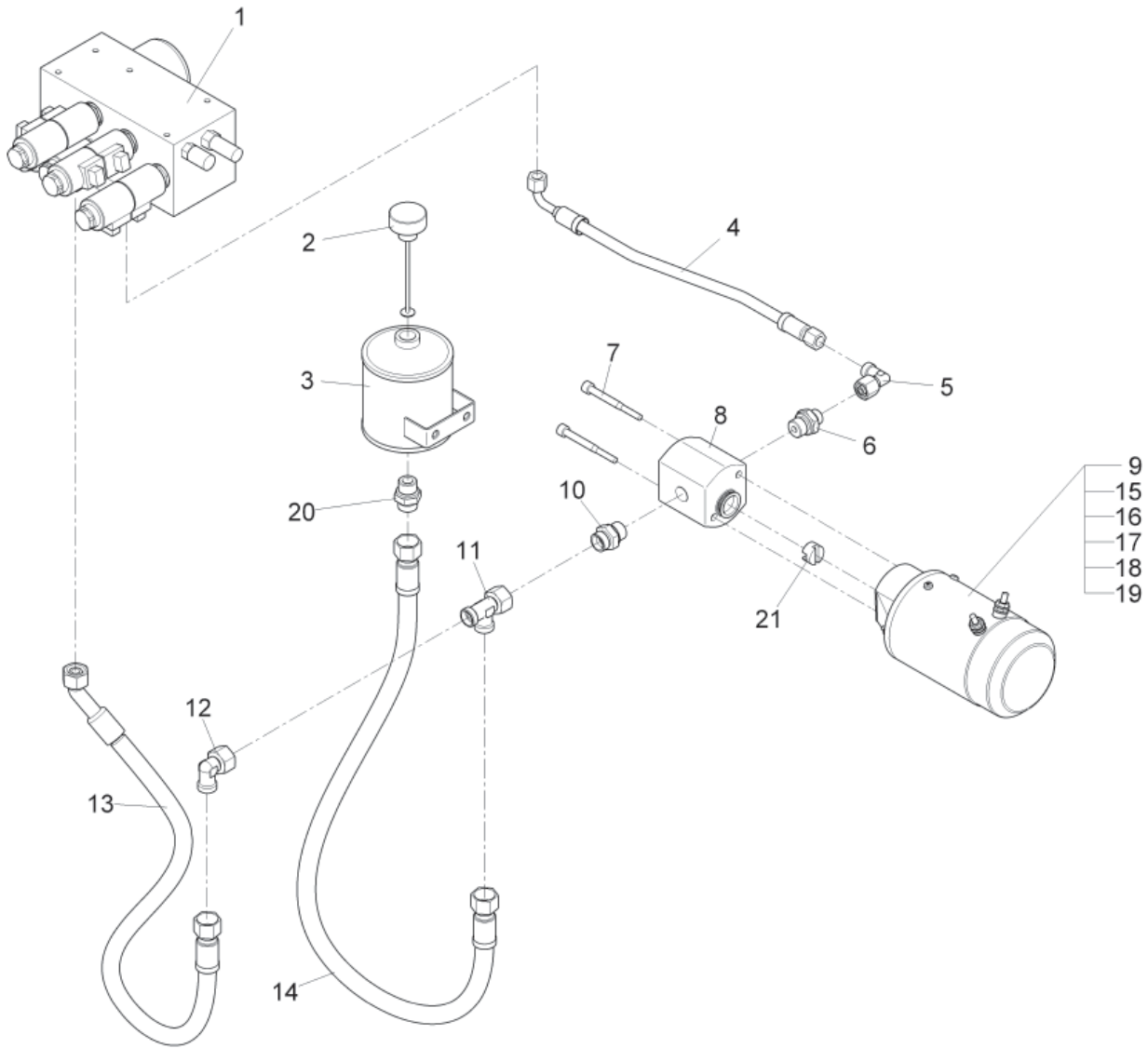
PARTS LIST - FLAP APRON HANDLING			
ITEM	PART NO.	QTY	DESCRIPTION
1	01152030	1	BOLT STRIP
2	01154750	1	SHEET METAL
3	01152540	1	APRON
4	00135120	6	WASHER
5	00051520	6	HEX. NUT
6	01271360	4	BEARING SEAT
7	01160920	4	DETENT EDGED WASHER
8	00535110	4	HEX.BOLT
9	01179250	1	TENSION SPRING
10	00051510	4	HEX. NUT
11	00053750	2	WASHER
12	00733550	3	HEX. NUT
13	00054690	2	HEXAGON SCREW
14	01154960	1	PIPE
15	00053260	1	HEX.BOLT
16	00706180	2	THRUST WASHER
17	00053770	2	WASHER
18	03001450	2	BRACKET
19	01154320	2	HINGED JOINT
20	01112000	1	THREADED PIN
21	01070210	1	WASHER
22	00901430	2	BOLT
23	00852380	1	THRUST WASHER
24	01055610	1	PEDAL
25	00139530	1	PIPE
26	00055190	1	BOLT
27	01152530	1	STRIP

Hydraulics



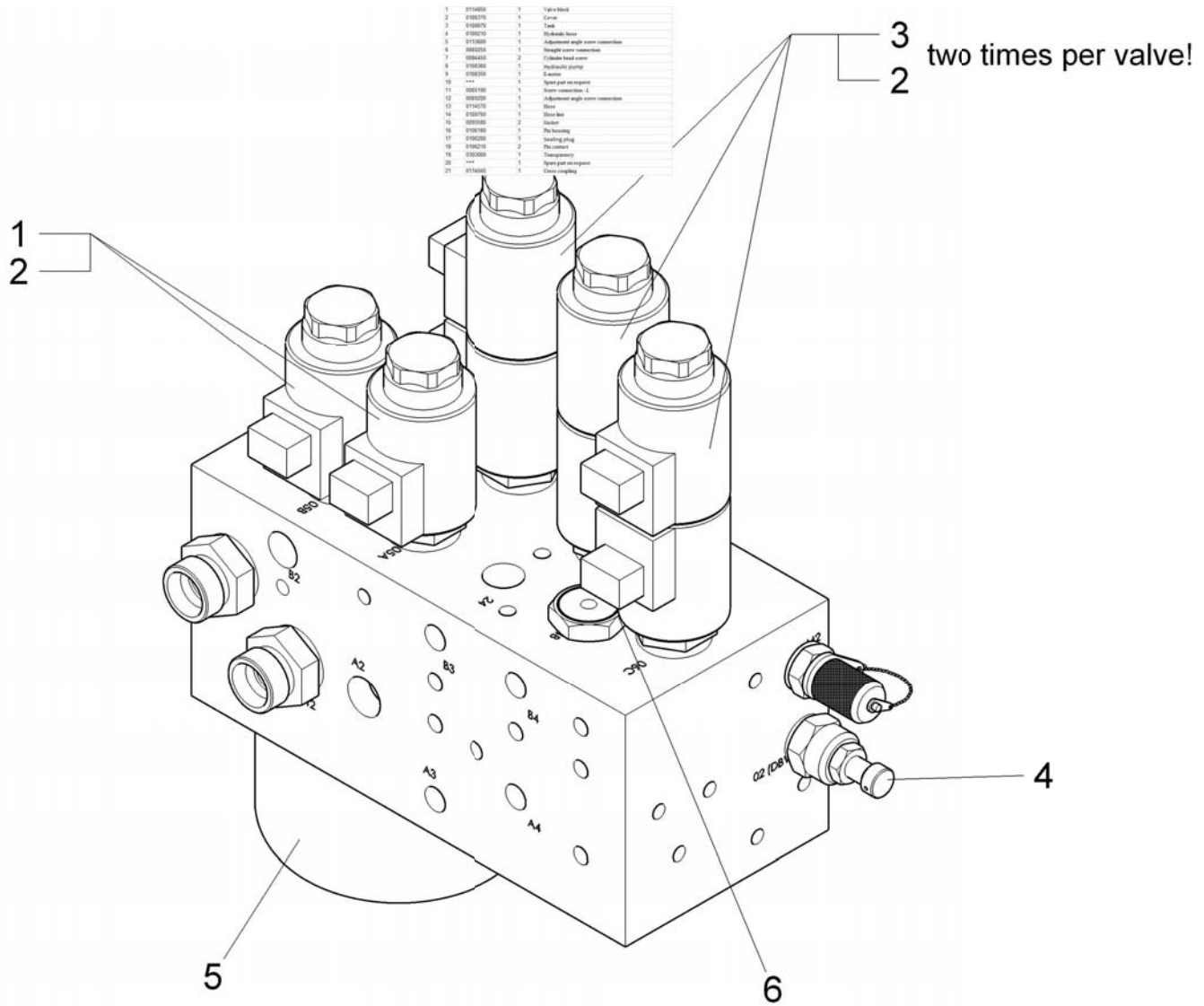
PARTS LIST - HYDRAULICS			
ITEM	PART NO.	QTY	DESCRIPTION
1	***	1	HYDRAULIC UNIT
2	01058880	1	HANDLE
3	00740080	21	WASHER
4	00053350	2	HEX. NUT
5	00053260	1	HEX.BOLT
6	03001630	1	BUSHING
7	01000670	1	LENS FLANGE SCREW
8	03001620	1	SUPPORT MOTOR
9	00053100	4	HEXAGON SCREW
10	00053080	13	HEXAGON SCREW
11	01058890	1	BELT GUARD
12	01111990	4	NUT
13	00740090	2	DETENT EDGED WASHER
14	***	1	SPARE PART ON REQUEST
15	00053090	3	HEXAGON SCREW
16	00970200	1	TUBE CLAMP
17	00042900	1	WASHER
18	00051510	1	HEX. NUT
19	00121150	10	CABLE TIE
20	00967760	10	CABLE TIE
21	***	1	HYDRAULIC DIAGRAM

Hydraulic Unit



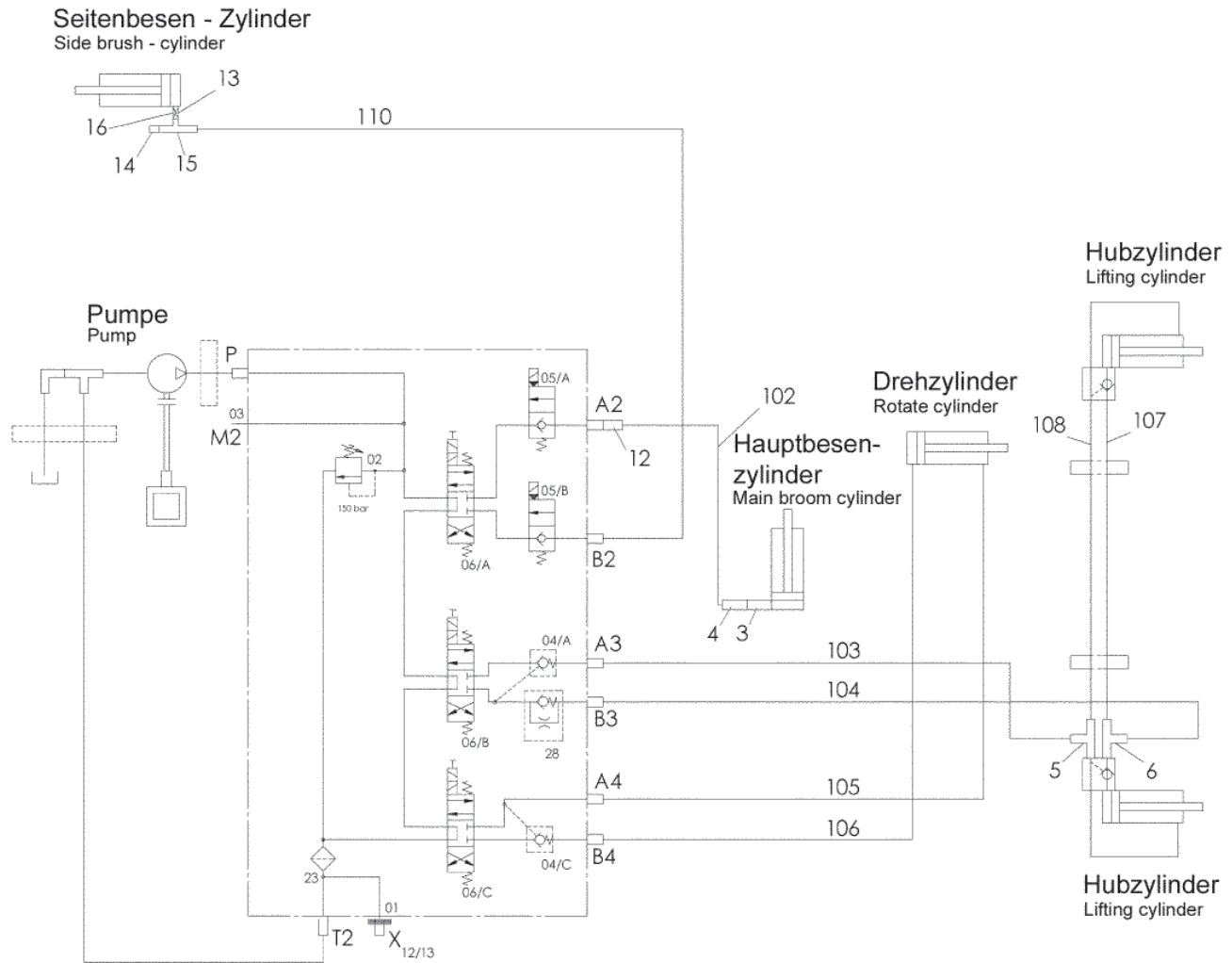
PARTS LIST - HYDRAULIC UNIT			
ITEM	PART NO.	QTY	DESCRIPTION
1	01154850	1	VALVE BLOCK
2	01058370	1	COVER
3	01058870	1	TANK
4	01059210	1	HYDRAULIC HOSE
5	01183600	1	ADJUSTMENT ANGLE SCREW CONNECTION
6	00870250	1	STRAIGHT SCREW CONNECTION
7	00864450	2	CYLINDER HEAD SCREW
8	01058360	1	HYDRAULIC PUMP
9	01058350	1	E-MOTOR
10	***	1	SPARE PART ON REQUEST
11	00870190	1	SCREW CONNECTION - L
12	00870200	1	ADJUSTMENT ANGLE SCREW CONNECTION
13	01154570	1	HOSE
14	01059760	1	HOSE LINE
15	00903580	2	GASKET
16	01006180	1	PIN HOUSING
17	01006200	1	SEALING PLUG
18	01006210	2	PIN CONTACT
19	03003000	1	TRANSPARENCY
20	***	1	SPARE PART ON REQUEST
21	01154040	1	CROSS COUPLING

Valve Block



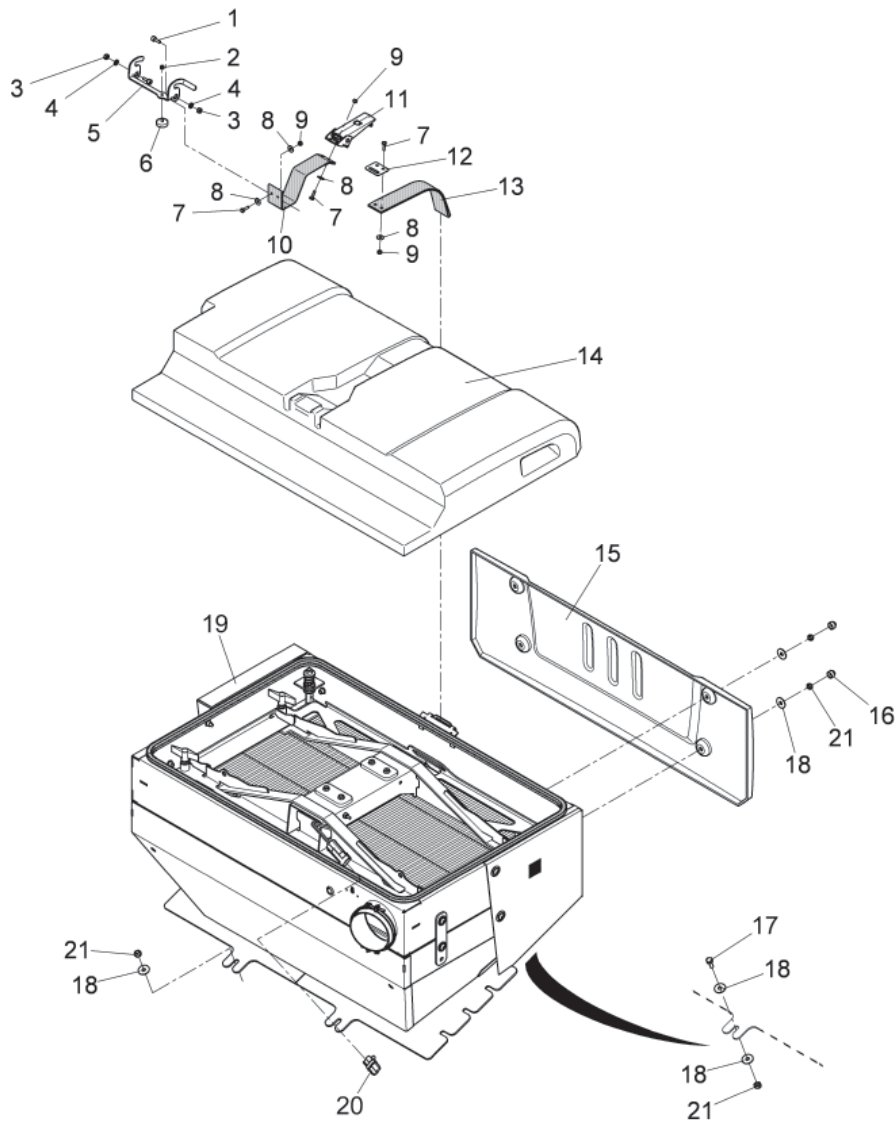
PARTS LIST - VALVE BLOCK			
ITEM	PART NO.	QTY	DESCRIPTION
1	01154100	1	VALVE
2	01154000	8	COIL
3	01154050	1	VALVE
4	01153060	1	PRESSURE RELIEF VALVE
5	01058020	1	GAUZE FILTER
6	01054320	1	HOLDING VALVE

Hydraulic Diagram



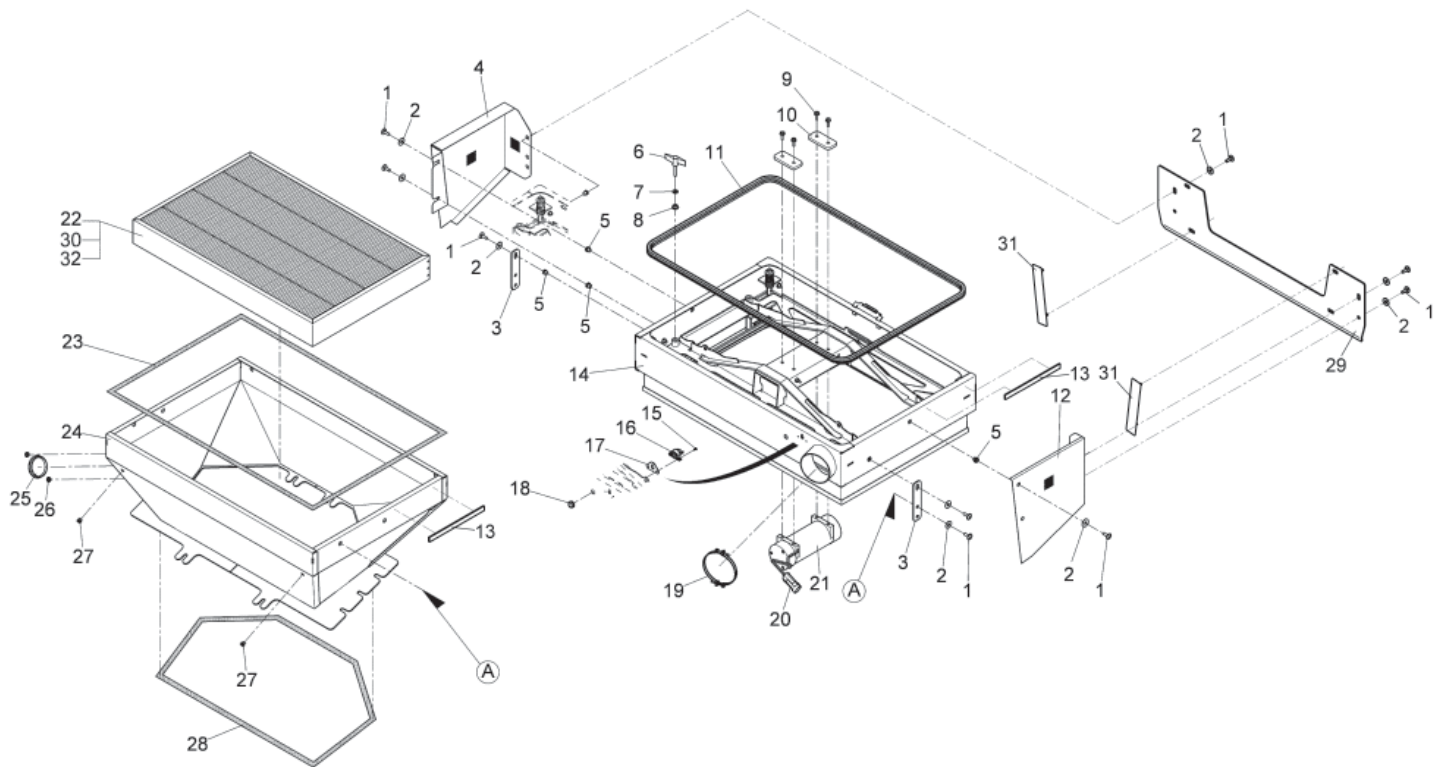
PARTS LIST - HYDRAULIC DIAGRAM			
ITEM	PART NO.	QTY	DESCRIPTION
3	00870240	1	STRAIGHT SCREW
4	01058560	1	CONNECTION WASHER
5	01154980	1	ADJUSTING T-SCREW CONNECTION
6	01154980	1	ADJUSTING T-SCREW CONNECTION
12	01013020	2	ADJUSTMENT ANGLE SCREW CONNECTION
13	00870280	2	SCREEN
14	01058580	1	MEASURING MUFF
15	01013030	1	ADJUSTABLE T-COUPLING
16	00533450	1	STRAIGHT SCREW CONNECTION
102	01058610	1	PRESSURE HOSE
103	01058620	1	PRESSURE HOSE
104	01058620	1	PRESSURE HOSE
105	01278880	1	PRESSURE HOSE
106	01058640	1	PRESSURE HOSE
107	00392390	1	PRESSURE HOSE
108	00392390	1	PRESSURE HOSE
110	01058600	1	PRESSURE HOSE

Filter System



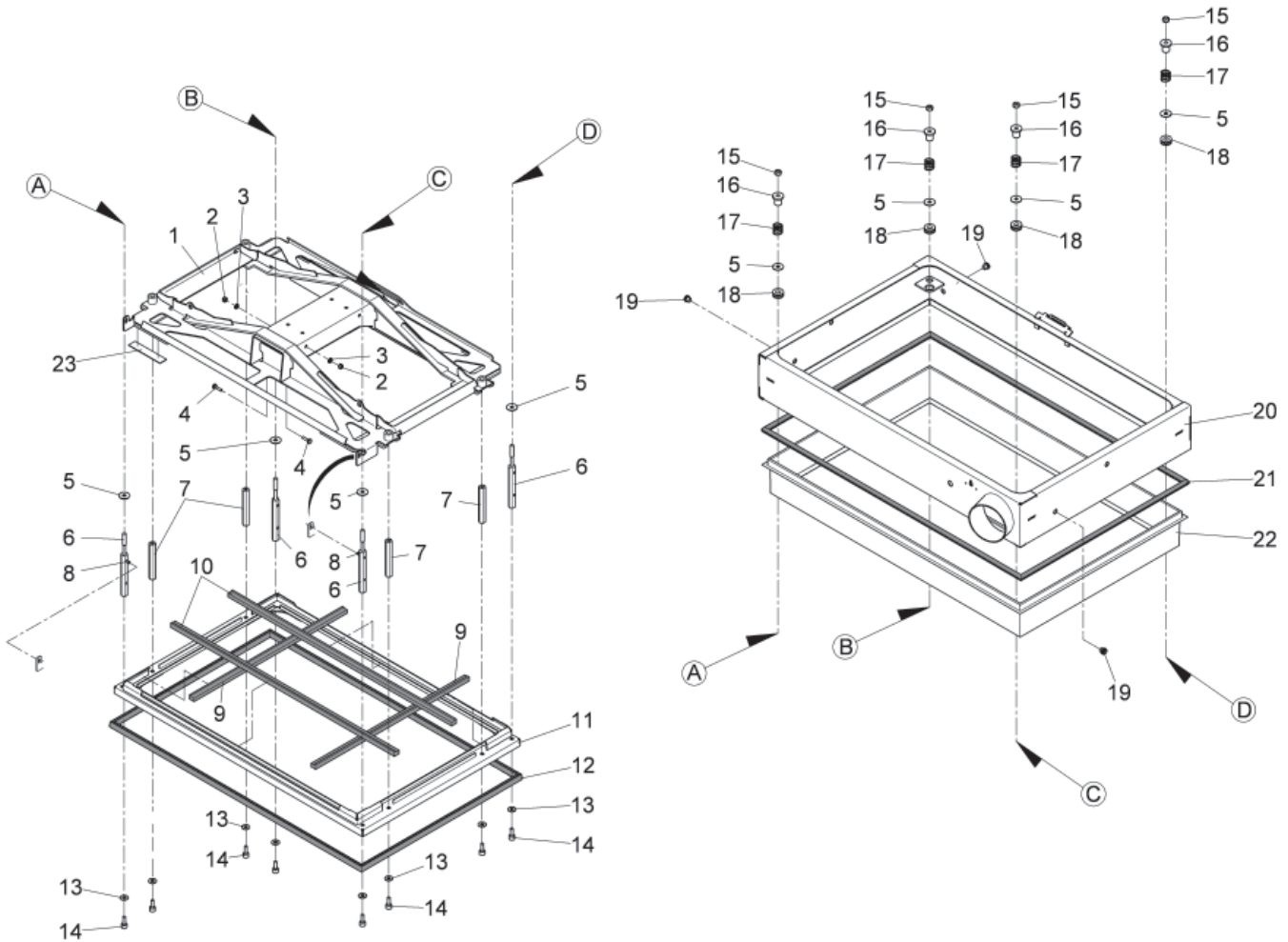
PARTS LIST - FILTER SYSTEM			
ITEM	PART NO.	QTY	DESCRIPTION
1	00136910	2	CYLINDER HEAD SCREW
2	00133830	1	HEX. NUT
3	00051520	2	HEX. NUT
4	00053730	2	WASHER
5	01152320	1	TENTERING FRAME
6	01152480	1	MAGNET
7	00054410	6	HEX.BOLT
8	00555520	8	WASHER
9	00051340	6	HEX. NUT
10	01152300	1	TENSION BAND
11	00968070	1	LOCK
12	01134960	1	PULL TAB
13	01152310	1	TENSION BAND
14	01152420	1	FILTER BOX COVER
15	01279980	1	BUMPER BAR
16	00131610	4	LENS CAP
17	00053090	2	HEXAGON SCREW
18	00042900	16	WASHER
19	***	1	FILTER SYSTEM COMPLETE
20	01132670	1	BUSH BEARING
21	00051510	14	HEX. NUT

Filter System Complete



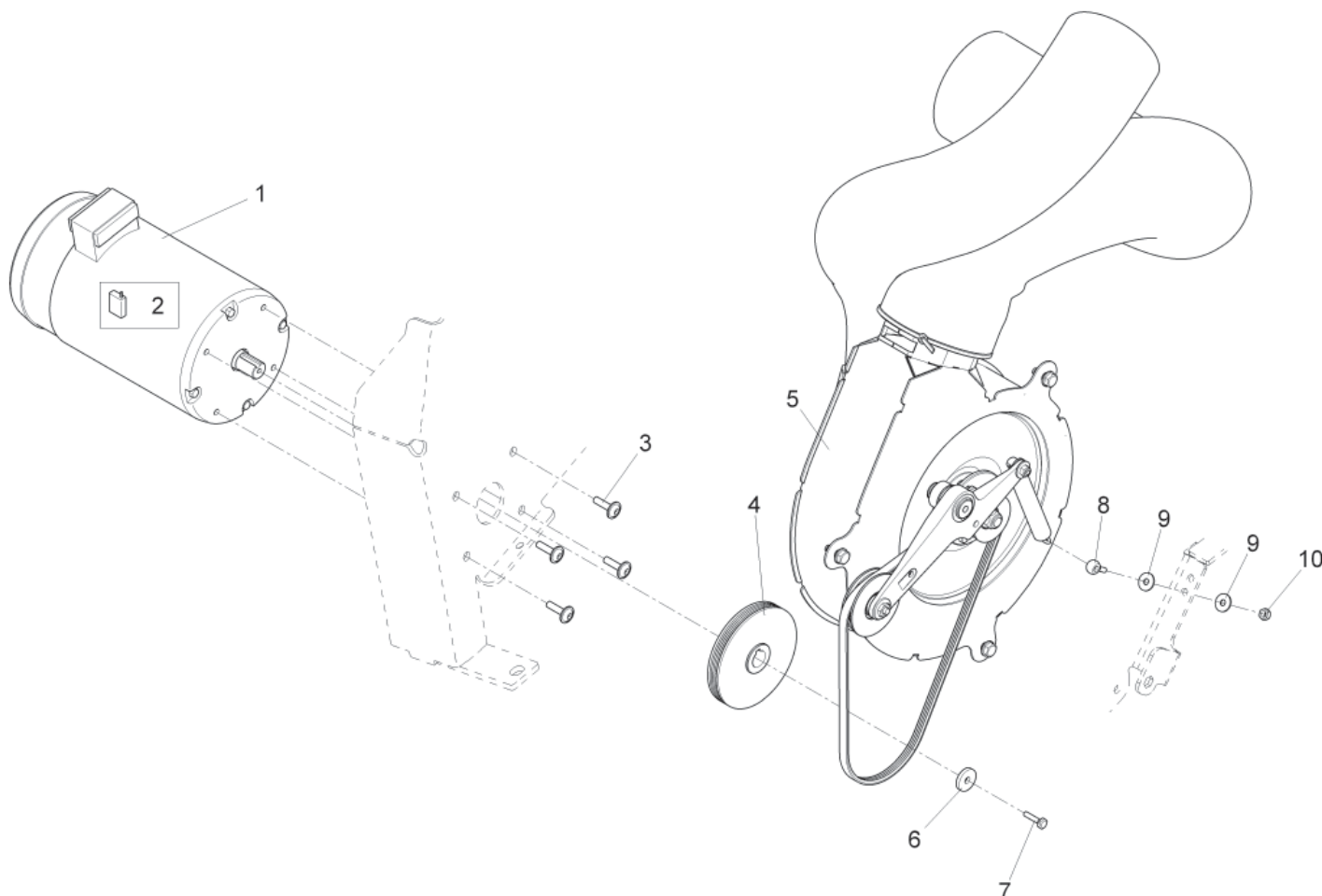
PARTS LIST - FILTER SYSTEM COMPLETE			
ITEM	PART NO.	QTY	DESCRIPTION
1	01000670	12	
2	00740080	14	LENS FLANGE SCREW
3	01152370	2	WASHER MOUNTING LINK
4	01152650	1	PERFORATED PLATE R.H.
5	01130110	8	NUT
6	00905560	4	WING SCREW
7	00053750	4	WASHER
8	01133210	4	RETAINING NUT
9	00959270	4	HEX.BOLT
10	01110690	2	PLATE
11	00171900	2600 MM	EDGE PROTECTION
12	01152640	1	PERFORATED PLATE L.H.
13	00420290	500 MM	GASKET WHITE
14	***	1	OSCILLATING FRAME
15	01110570	2	SCREW
16	01073410	1	PRESS SWITCH
17	01110560	1	GASKET
18	01112270	1	BUSHING
19	01063670	1	WIRE HOSE CLIP
20	01092510	1	CONNECTOR HOUSING
21	01153140	1	SHAKER MOTOR VB 150 PX 36V
22	01152700	1	FILTER PLATE
23	00420290	2750 MM	GASKET WHITE
24	01152430	1	FILTER FUNNEL
25	01112100	1	SEALING PLUG
26	00906060	2	DRAIN PLUG
27	01113410	2	NUT
28	00420290	2000 MM	GASKET WHITE
29	***	1	SPARE PART ON REQUEST
30	01153150	1	SPECIAL PLATE FILTER
31	***	2	SPARE PART ON REQUEST
32	01155320	1	SPECIAL FILTER

Oscillating Frame



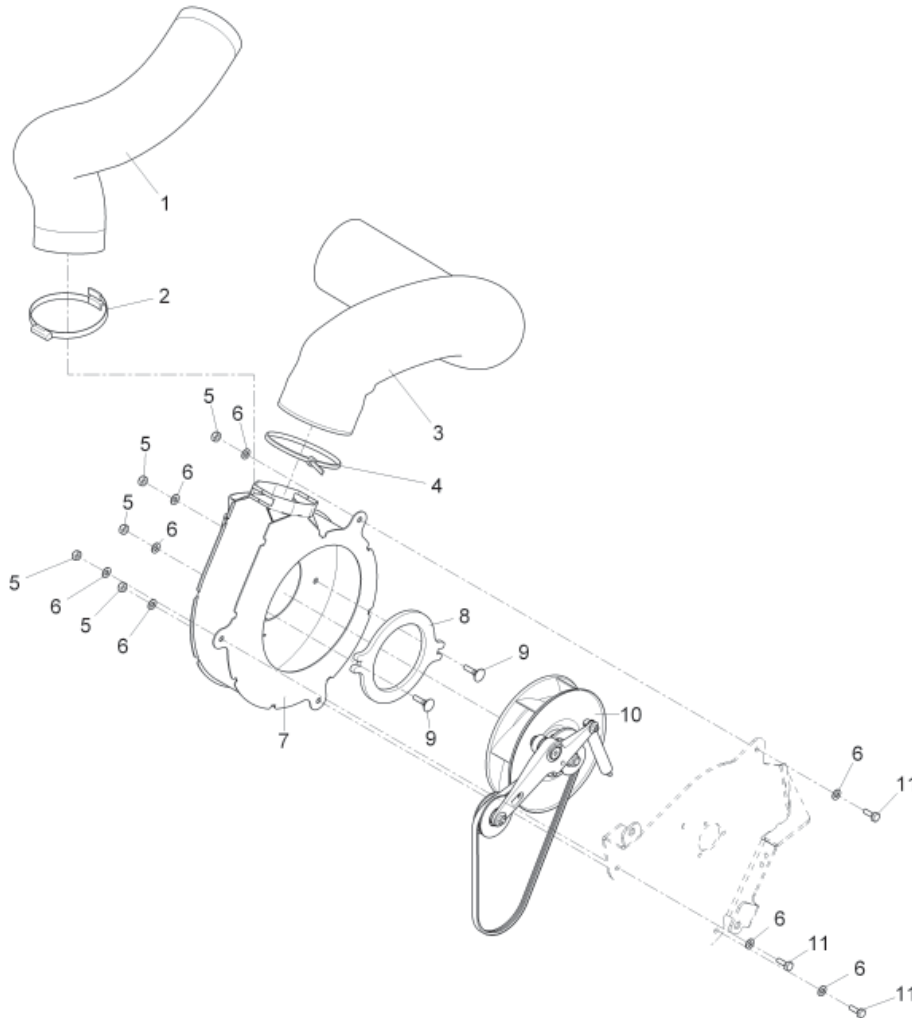
PARTS LIST - OSCILLATING FRAME			
ITEM	PART NO.	QTY	DESCRIPTION
1	03019160	1	TENTERING FRAME
2	00051520	2	HEX. NUT
3	00053730	2	WASHER
4	00053020	2	HEXAGON SCREW
5	00042900	8	WASHER
6	01131120	4	HEXAGON
7	01110890	4	HEXAGON
8	00045620	2	DOWEL PIN
9	01110920	1000	FOAM RUBBER
10	01110920	1460	FOAM RUBBER
11	03016350	1	ANGLE FRAME
12	00161240	2700	EDGE PROTECTION
13	00740090	8	DETENT EDGED WASHER
14	00045540	8	CYLINDER HEAD SCREW
15	00051510	4	HEX. NUT
16	01131100	4	BOLT
17	01110950	4	CYL.COMPRESSION SPRING
18	00027190	4	CABLE SLEEVE
19	01130110	4	NUT
20	03013220	1	MAIN FRAME
21	01110930	2800	FOAM RUBBER
22	01152250	1	FILTER
23	01155260	4	RUBBER

Suction



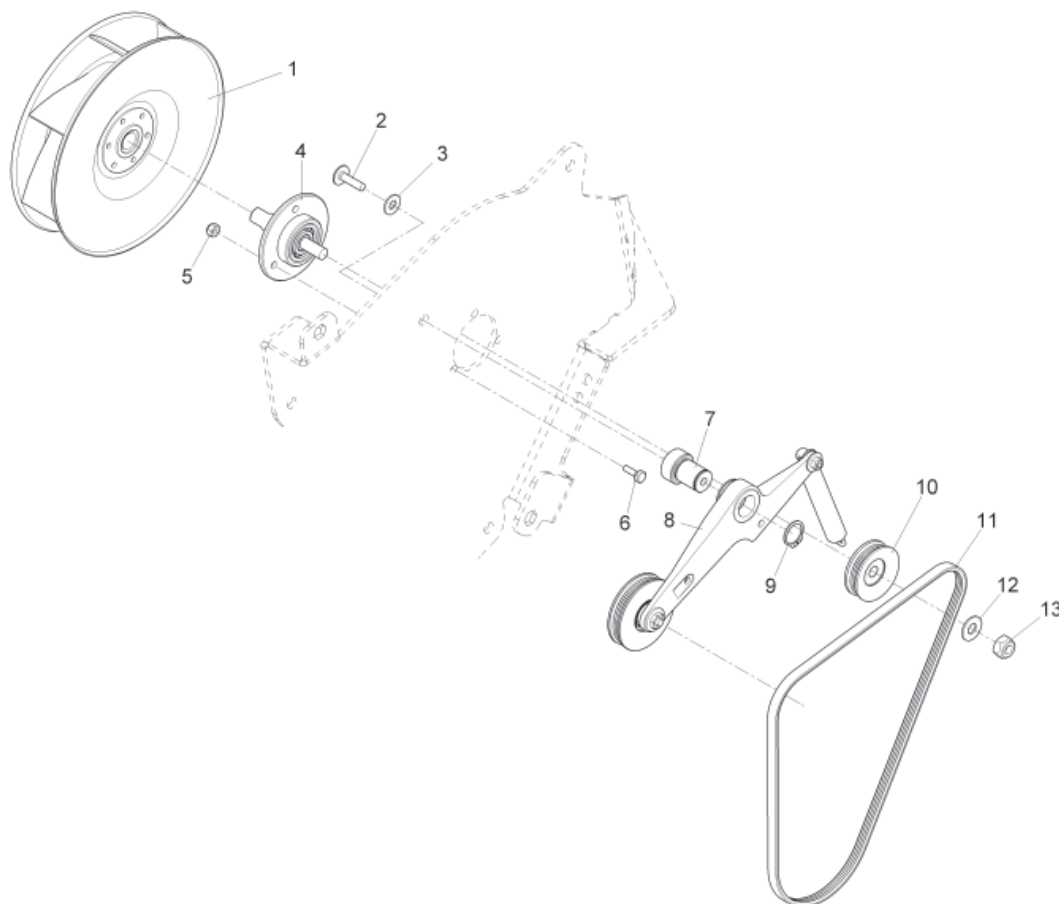
PARTS LIST - SUCTION			
ITEM	PART NO.	QTY	DESCRIPTION
1	01153160	1	E-MOTOR
2	01153220	1	SET (4PC.) CARBON BRUSH
3	01092910	4	LENS FLANGE SCREW
4	01153470	1	V-BELT PULLEY
5	***	1	SUCTION FAN B (E)
6	00874340	1	WASHER
7	00154070	1	HEX.BOLT
8	01111020	1	EYE BOLT
9	00135120	2	WASHER
10	00051520	1	HEX. NUT

Suction Fan



PARTS LIST - SUCTION FAN			
ITEM	PART NO.	QTY	DESCRIPTION
1	01152260	1	SUCTION HOSE
2	01063670	1	WIRE HOSE CLIP
3	01152180	1	INSULATING HOSE
4	00967760	2	CABLE TIE
5	00051510	5	HEX. NUT
6	00053750	8	WASHER
7	01155140	1	HOUSING
8	01154810	1	SPACER RING
9	00864520	2	ROUND HEAD SCREW
10	***	1	FAN WHEEL WITH BELT B (E)
11	00053090	3	HEXAGON SCREW

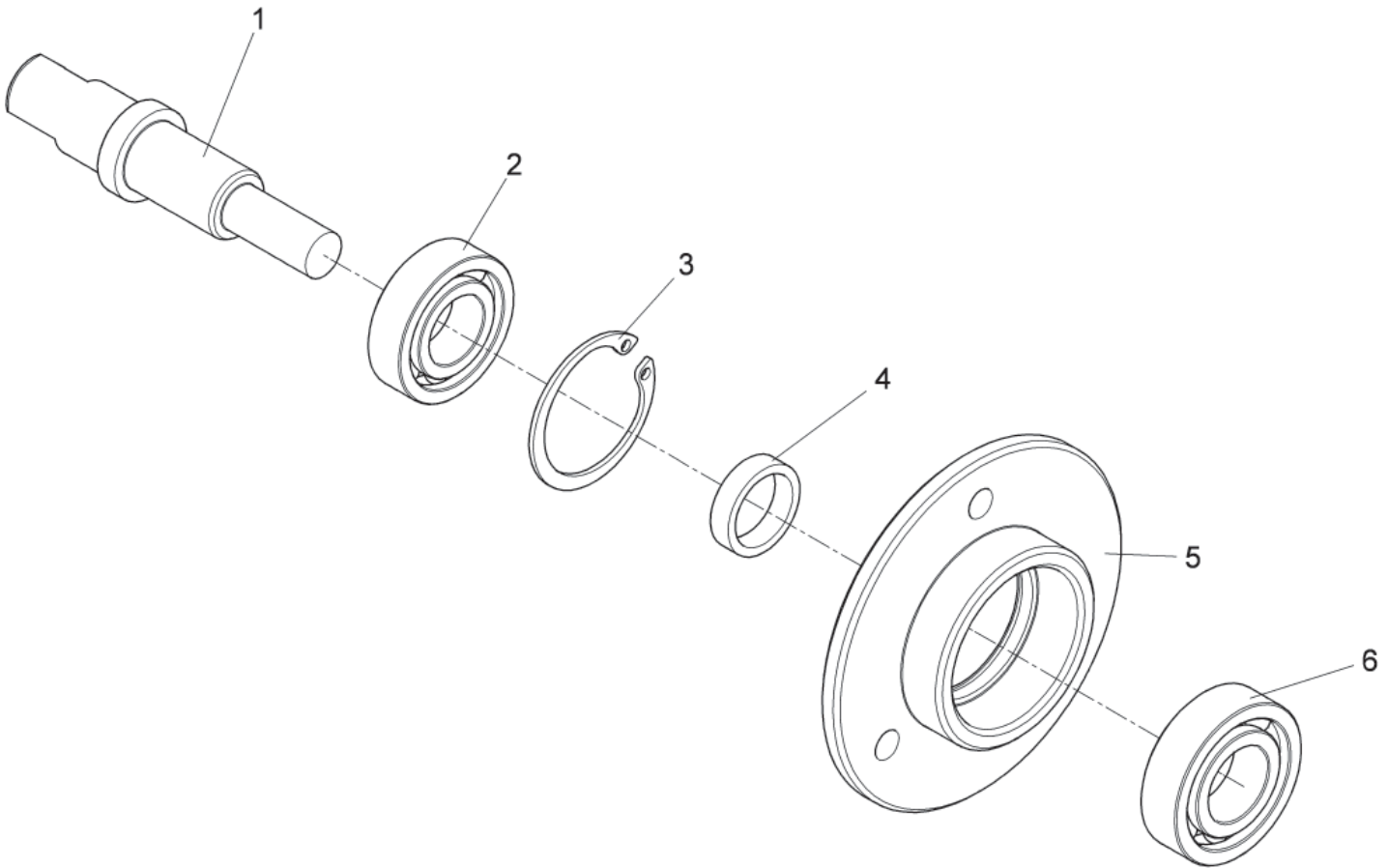
Fan Wheel with Belt



PARTS LIST - FAN WHEEL WITH BELT

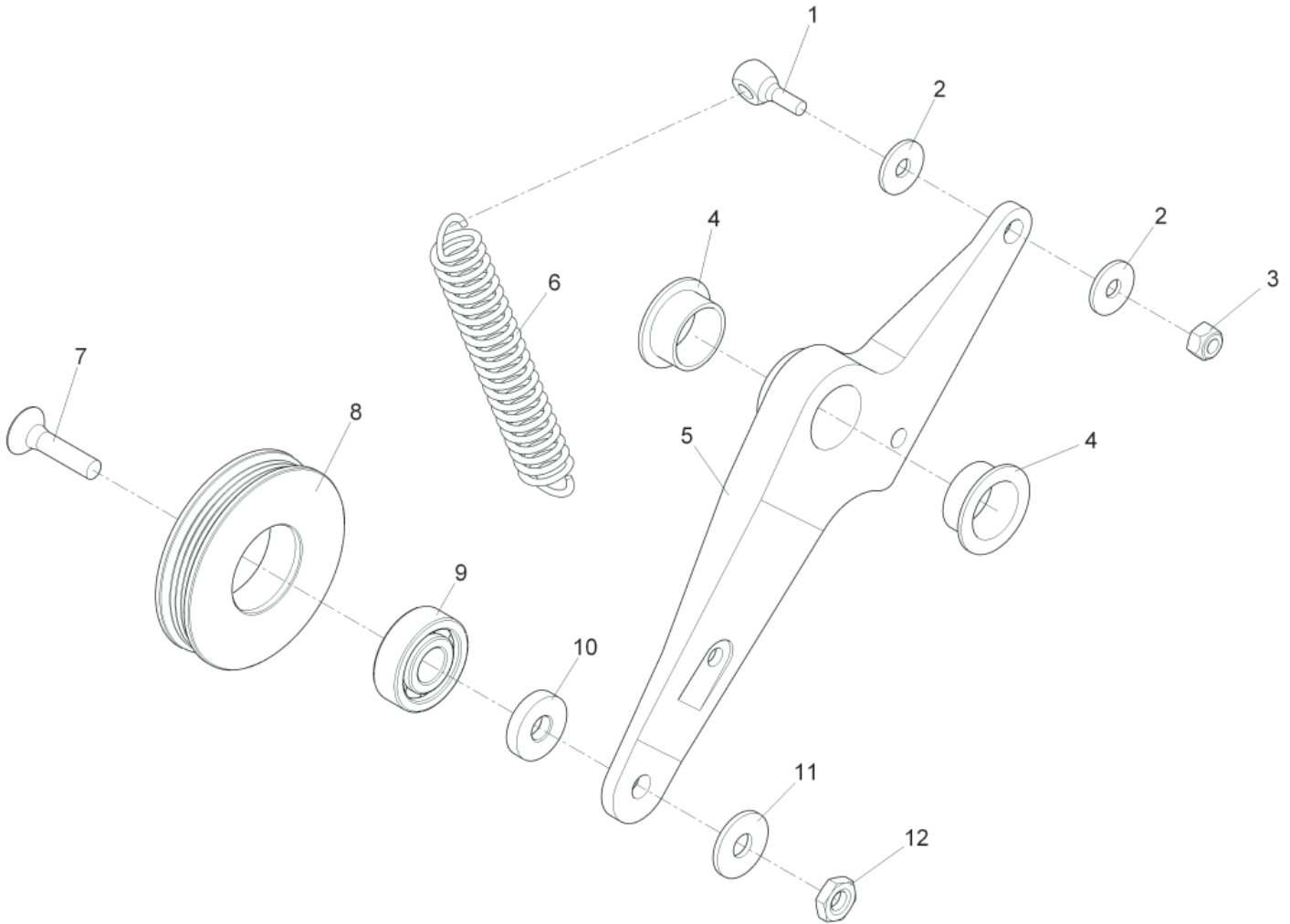
ITEM	PART NO.	QTY	DESCRIPTION
1	01152660	1	FAN WHEEL
2	01092910	1	COUNTER-CLOCKWISE LENS FLANGE SCREW
3	00740090	1	DETENT EDGED WASHER
4	***	1	FAN BEARING
5	00051520	3	HEX. NUT
6	00053010	3	HEX.BOLT
7	01154170	1	BOLT
8	***	1	TENSION LEVER B (E)
9	00054310	1	RETAINING RING
10	01110870	1	BELT PULLEY
11	01179740	1	RIBBED BAND
12	00740290	1	DETENT EDGED WASHER
13	00132880	1	HEX. NUT

Fan Bearing



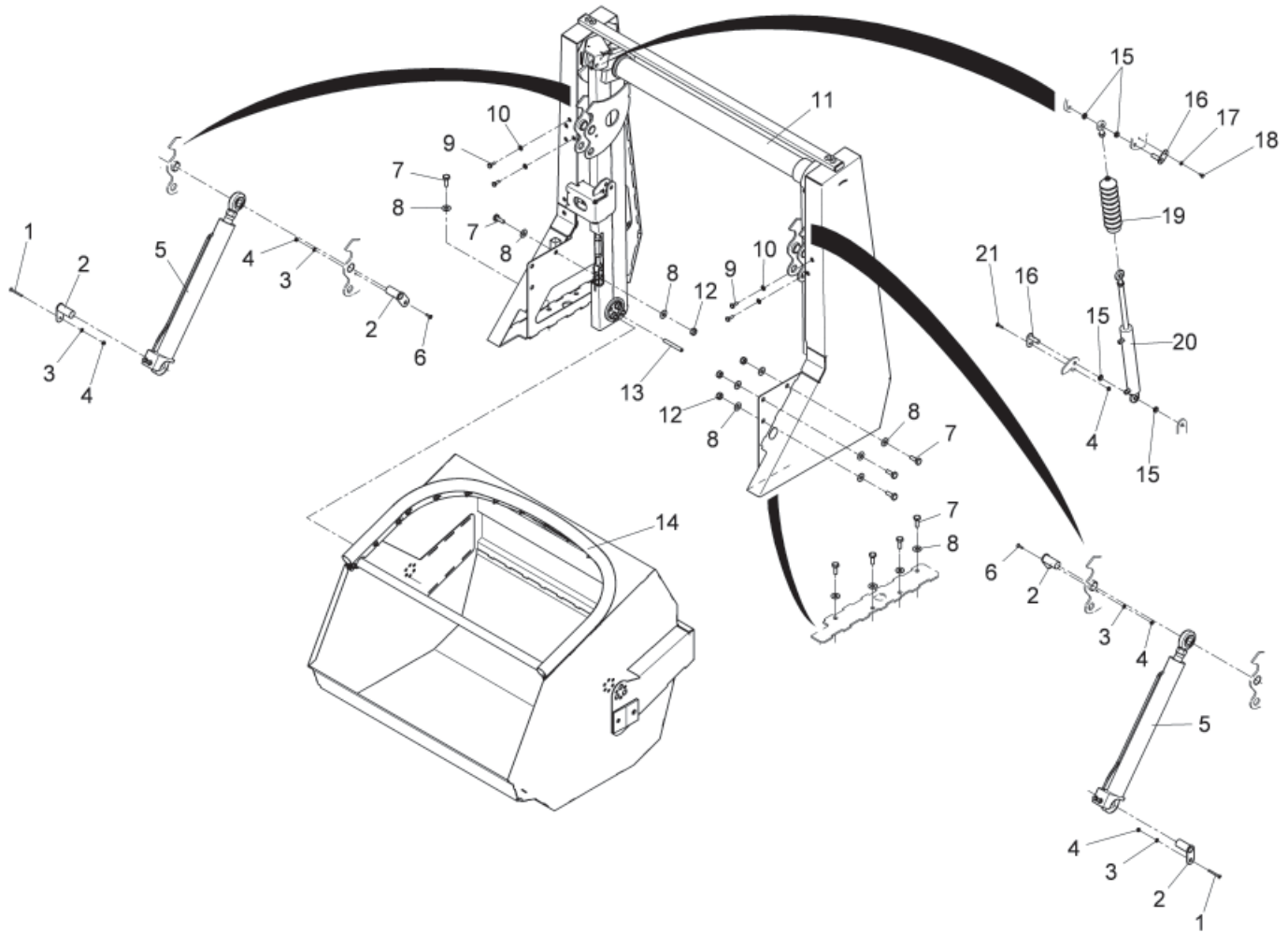
PARTS LIST - FAN BEARING			
ITEM	PART NO.	QTY	DESCRIPTION
1	01154710	1	SHAFT
2	00706360	1	DEEP GROOVE BALL BEARING
3	00126320	1	RETAINING RING
4	01131250	1	PIPE
5	01131240	1	BEARING BUSH
6	00538360	1	DEEP GROOVE BALL BEARING

Tension Lever



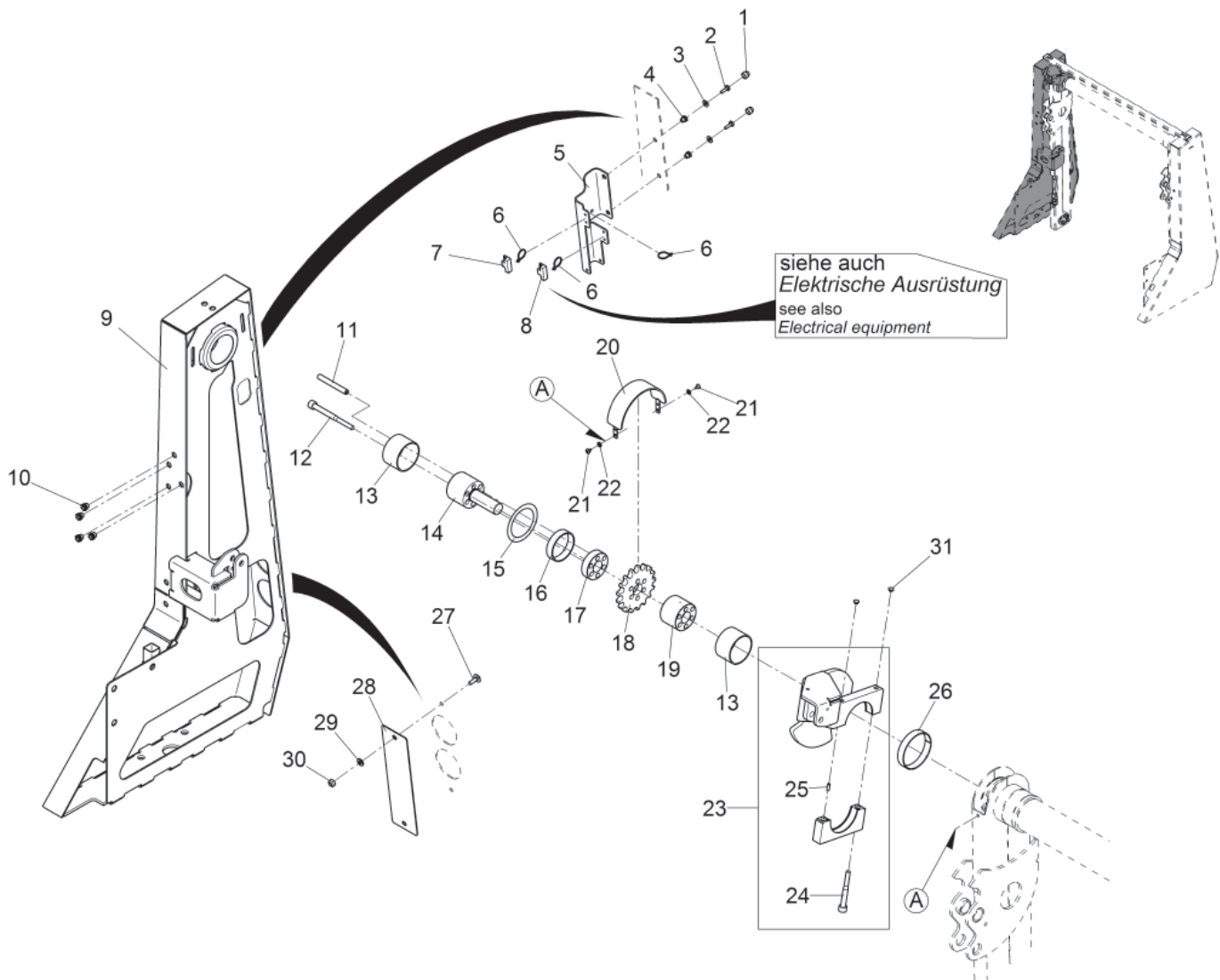
PARTS LIST - TENSION LEVER			
ITEM	PART NO.	QTY	DESCRIPTION
1	01111020	1	EYE BOLT
2	00135120	2	WASHER
3	00051520	1	HEX. NUT
4	01130470	2	SLIDE BEARING BUSH
5	01153450	1	CLUTCH IDLER ARM
6	00522300	1	TENSION SPRING
7	01223150	1	COUNTERSUNK SCREW
8	01152600	1	PULLEY
9	00126330	1	DEEP GROOVE BALL BEARING
10	01130950	1	BUSHING
11	00740080	1	WASHER
12	00046500	1	HEX. NUT

High Lift Dumping



PARTS LIST - HIGH LIFT DUMPING			
ITEM	PART NO.	QTY	DESCRIPTION
1	00127360	2	COUNTERSUNK SCREW
2	00740650	4	SOCKET PIN
3	00053730	4	WASHER
4	00051520	5	HEX. NUT
5	00392250	2	HYDRAULIC CYLINDER
6	01271620	2	COUNTERSUNK SCREW
7	00053200	14	HEX.BOLT
8	00875950	20	WASHER
9	00053090	4	HEXAGON SCREW
10	00740310	4	WASHER
11	***	1	HOPPER LIFTING
12	00051490	6	HEX. NUT
13	00962230	3	DOWEL PIN
14	***	1	DIRT CONTAINER
15	00153310	4	DISTANCE TUBE
16	00740640	2	SOCKET PIN
17	00740280	1	WASHER
18	00025260	1	HEXAGON SCREW
19	00740630	1	BELLOWS
20	00492380	1	HYDRAULIC CYLINDER
21	00053020	1	HEXAGON SCREW

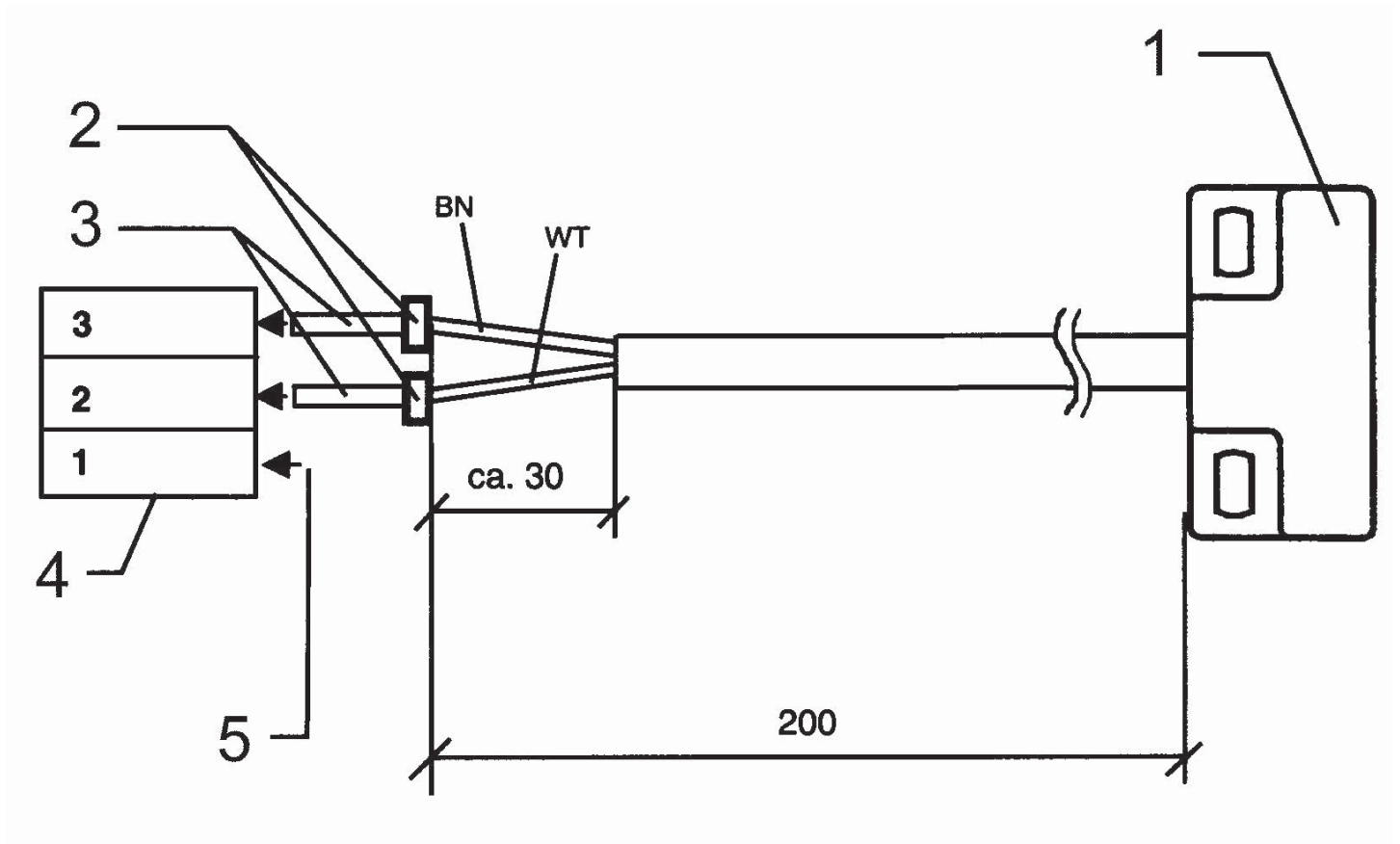
Hopper Lifting - Part 1



PARTS LIST - HOPPER LIFTING - PART 1

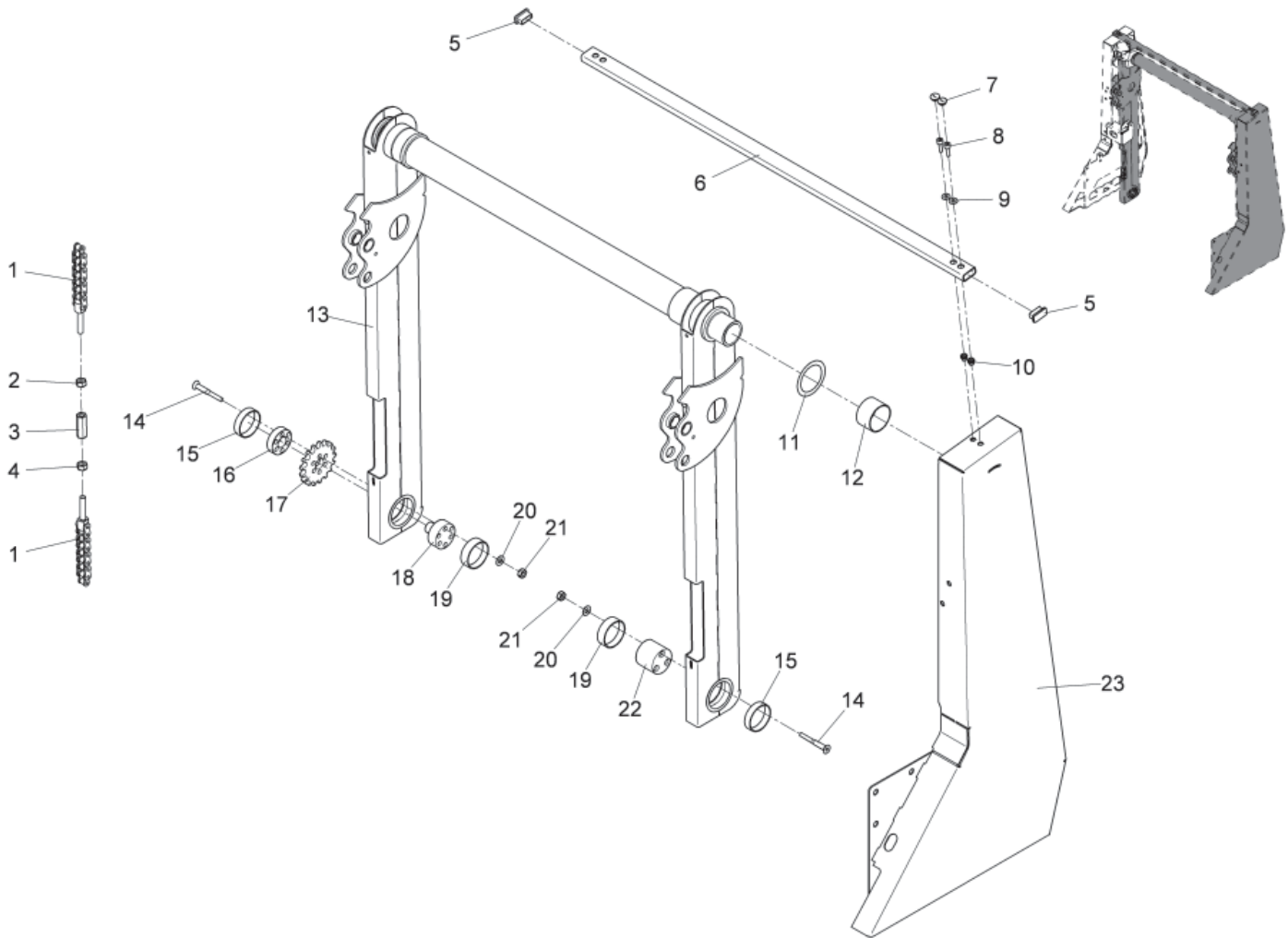
ITEM	PART NO.	QTY	DESCRIPTION
1	00525910	2	LENS CAP
2	00053010	2	HEX.BOLT
3	00730940	2	DETENT EDGED WASHER
4	01113410	2	NUT
5	01154340	1	SHEET METAL
6	00121010	7	CABLE TIE
7	01059410	1	MAGNETIC BRIDGE SENSOR, COMPLETE
8	01059420	1	MAGNETIC BRIDGE SENSOR, COMPLETE
9	03011170	1	SUPPORT R.H.
10	01130110	8	NUT
11	00962230	3	DOWEL PIN
12	00927270	3	CYLINDER HEAD SCREW
13	00872490	2	DU-DRYING SOCKET
14	00740670	1	PIN
15	00155600	1	ADJUSTING WASHER
16	00740610	1	DU-DRYING SOCKET
17	00740660	1	BUSHING
18	00740710	1	CHAIN WHEEL
19	00740690	1	BEARING BUSHING
20	00740700	2	COVER
21	01103420	4	TAPPING SCREW
22	00053720	4	WASHER
23	00492390	1	LEVER
24	00962430	2	CYLINDER HEAD SCREW
25	00705400	2	CYLINDER PIN
26	00740720	1	GUIDE BAND
27	01000670	4	LENS FLANGE SCREW
28	01154370	2	COVERING
29	00053750	4	WASHER
30	00051510	4	HEX. NUT
31	00906060	2	DRAIN PLUG

Magnetic Bridge Sensor Complete



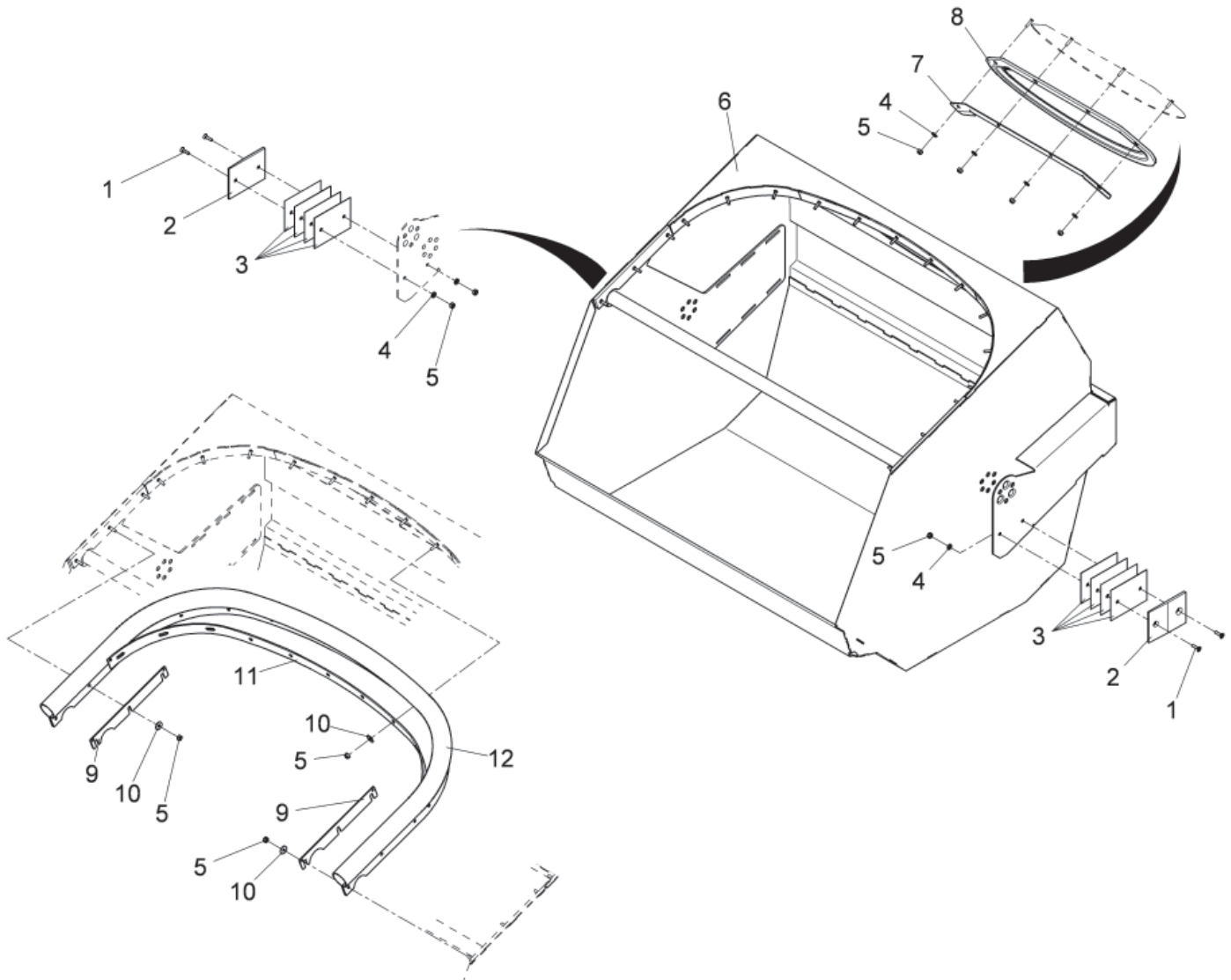
PARTS LIST - MAGNETIC BRIDGE SENSOR COMPLETE			
ITEM	PART NO.	QTY	DESCRIPTION
1	***	1	MUST ORDER COMPLETE SENSOR
2	01006190	2	SEAL
3	01006210	2	PIN CONTACT
4	01006180	1	PIN HOUSING
5	01006200	1	SEALING PLUG

Hopper Lifting - Part 2



PARTS LIST - HOPPER LIFTING - PART 2			
ITEM	PART NO.	QTY	DESCRIPTION
1	01050170	1	CHAIN
2	00695460	1	HEX. NUT
3	00554100	1	TURNBUCKLE SLEEVE
4	00053370	1	HEX. NUT
5	01154350	2	SEALING PLUG
6	01154380	1	TRUSS
7	00527770	4	DRAIN PLUG
8	00103300	4	SOCKET HEAD SCREW
9	00740090	4	DETENT EDGED WASHER
10	01130110	4	NUT
11	00155600	1	ADJUSTING WASHER
12	00872490	1	DU-DRYING SOCKET
13	03011200	1	SUPPORT
14	00740730	6	COUNTERSUNK SCREW
15	00740610	2	DU-DRYING SOCKET
16	00740660	1	BUSHING
17	00740710	1	CHAIN WHEEL
18	00870290	1	PIN
19	00740620	2	DU-DRYING SOCKET
20	00740290	6	DETENT EDGED WASHER
21	01050160	6	HEX. NUT
22	00740680	1	PIN
23	03011210	1	SUPPORT L.H.

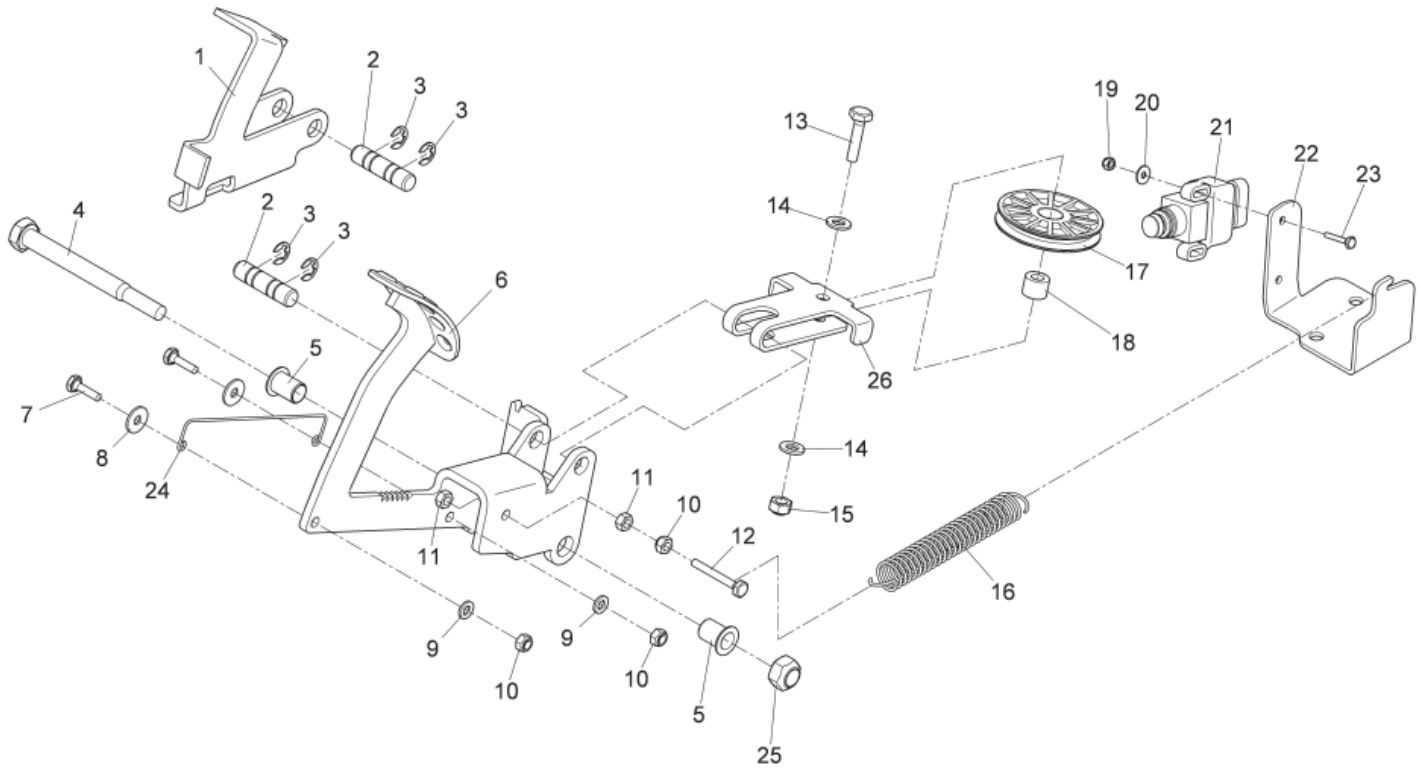
Dirt Container



PARTS LIST - DIRT CONTAINER			
ITEM	PART NO.	QTY	DESCRIPTION
1	00021310	4	COUNTERSUNK SCREW
2	01154610	2	GUIDE PLATE
3	***	8	SPARE PART ON REQUEST
4	00053730	8	WASHER
5	00051520	25	HEX. NUT
6	01153770	1	DIRT CONTAINER
7	01152490	1	RETAINER
8	01152520	1	FLAP
9	01152610	2	STRIP
10	00135120	17	WASHER
11	00037550	1	FITTING STRIP
12	01152190	1	GASKET

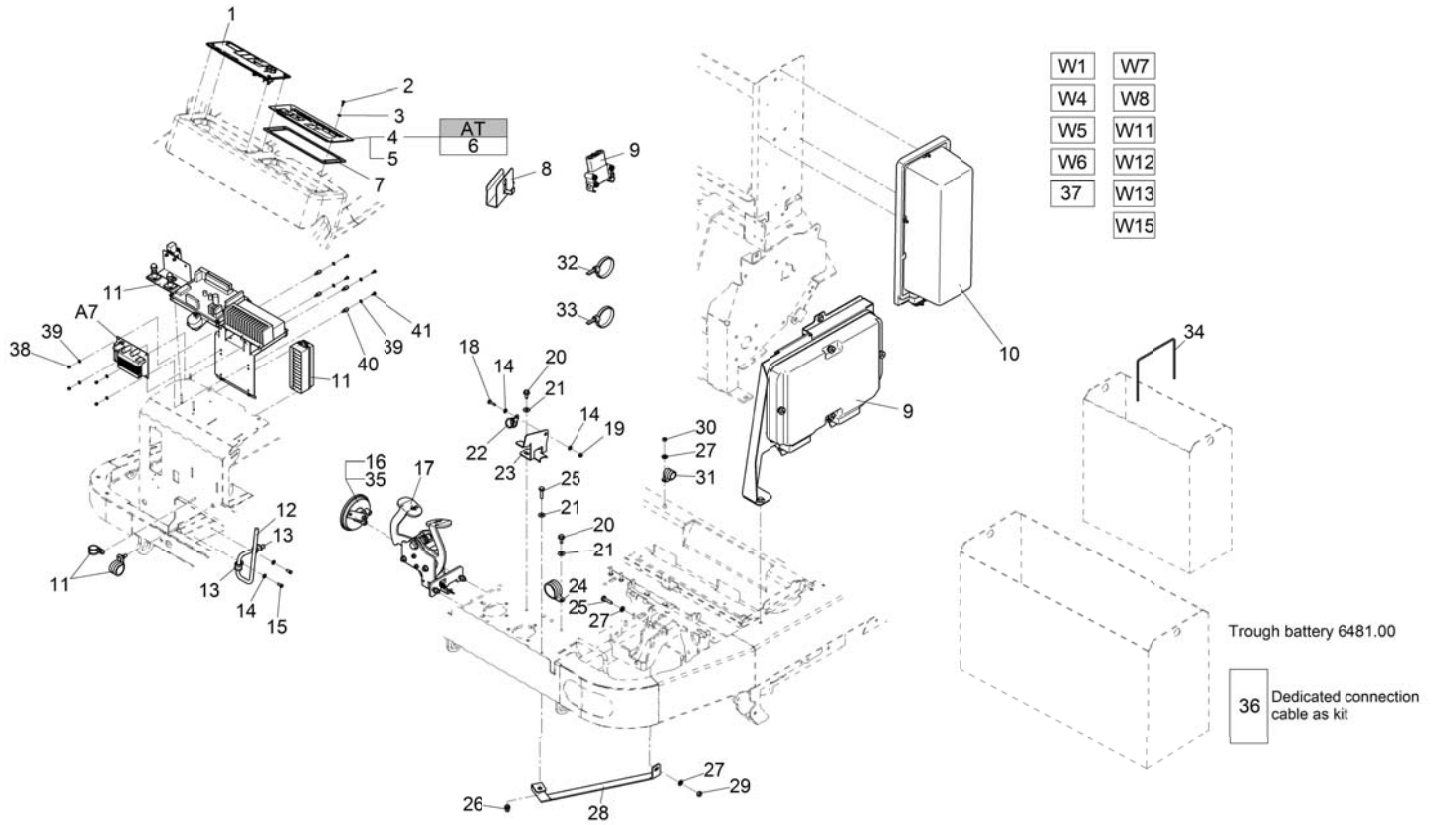
PARTS LIST - REAR WHEELS - BRAKE			
ITEM	PART NO.	QTY	DESCRIPTION
1	01153240	2	SEALING PLUG
2	00135350	2	HEX. NUT
3	00951170	2	WASHER
4	00077550	4	DEEP GROOVE BALL BEARING
5	00580500	2	TIRE
6	01152410	2	RIM
7	01154800	2	SPACER SLEEVE
8	00106500	2	DEEP GROOVE BALL BEARING
9	00744300	2	RING
10	01152390	2	COMPRESSION SPRING
11	00042900	2	WASHER
12	00046500	2	HEX. NUT
13	00151440	2	SWIVEL HEAD
14	00151400	2	BOLT
15	01113770	1	DRUM BRAKE R.H.
16	***	2	SPARE PART ON REQUEST
17	00959230	8	HEX.BOLT
18	01152090	1	BRAKE CABLE
19	01113800	1	DRUM BRAKE L.H.
20	00101450	2	RETAINING RING
21	00740160	1	ANGLE
22	00521270	2	ROLLER
23	***	1	PARKING BRAKE
24	00051510	2	HEX. NUT
25	00053750	2	WASHER

Parking Brake



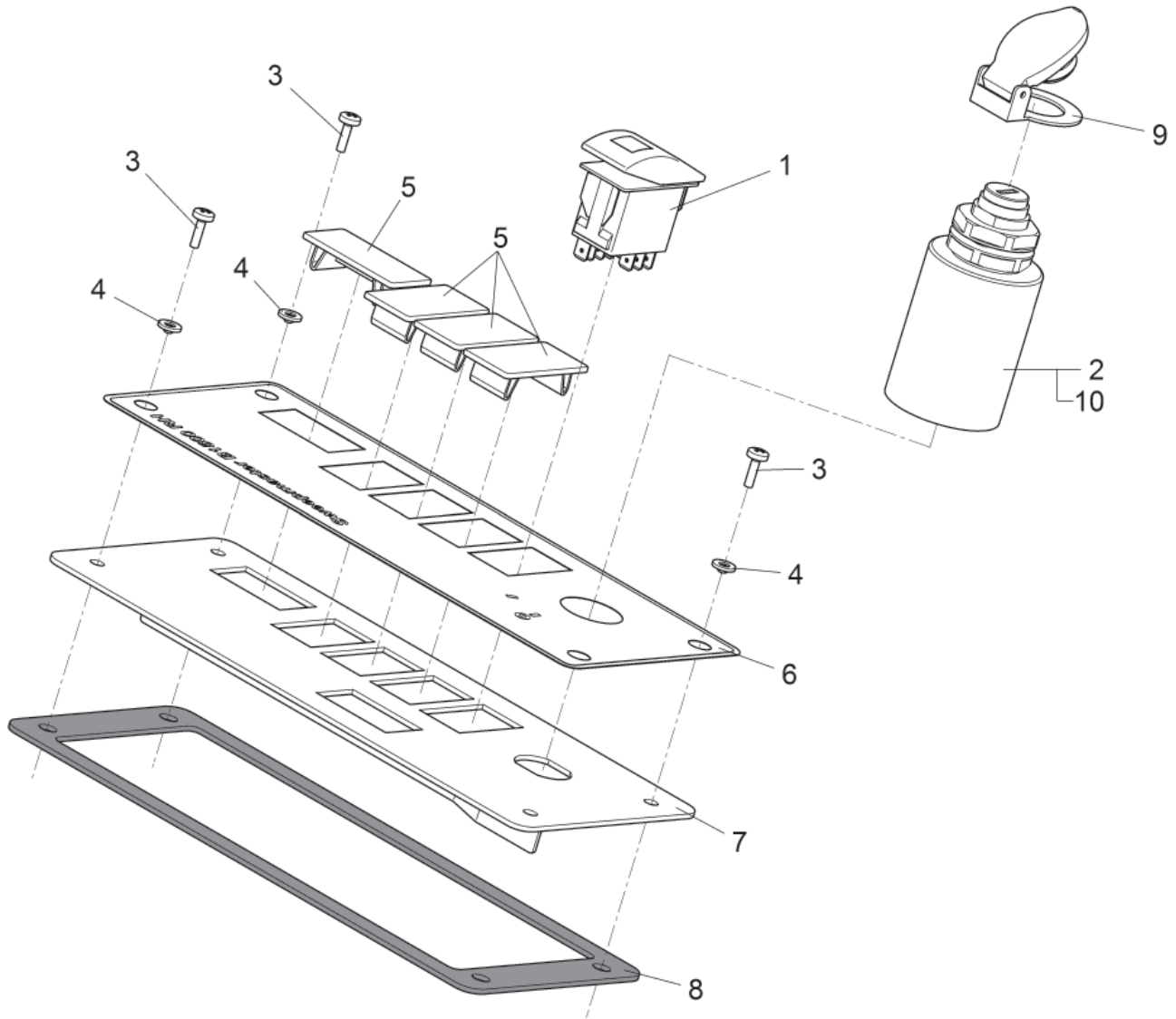
PARTS LIST - PARKING BRAKE			
ITEM	PART NO.	QTY	DESCRIPTION
1	01154720	1	ANGLE
2	***	2	SPARE PART ON REQUEST
3	00046280	4	THRUST WASHER
4	00025300	1	HEX.BOLT
5	00041400	2	SLIDE BEARING BUSH
6	01153840	1	PEDAL
7	00053020	2	HEXAGON SCREW
8	00135120	2	WASHER
9	00053730	2	WASHER
10	00051520	3	HEX. NUT
11	00053330	2	HEX. NUT
12	00053050	1	HEX.BOLT
13	00053110	1	HEXAGON SCREW
14	00053750	2	WASHER
15	00051510	1	HEX. NUT
16	01055930	1	TENSION SPRING
17	00521270	1	ROLLER
18	00974400	1	BUSHING
19	00133830	2	HEX. NUT
20	00557150	2	WASHER
21	01152270	1	SWITCH
22	***	1	SPARE PART ON REQUEST
23	00108490	2	HEX. BOLT
24	00854270	1	HANDLE
25	00051490	1	HEX. NUT
26	03003170	1	HANDLE

Electrical System



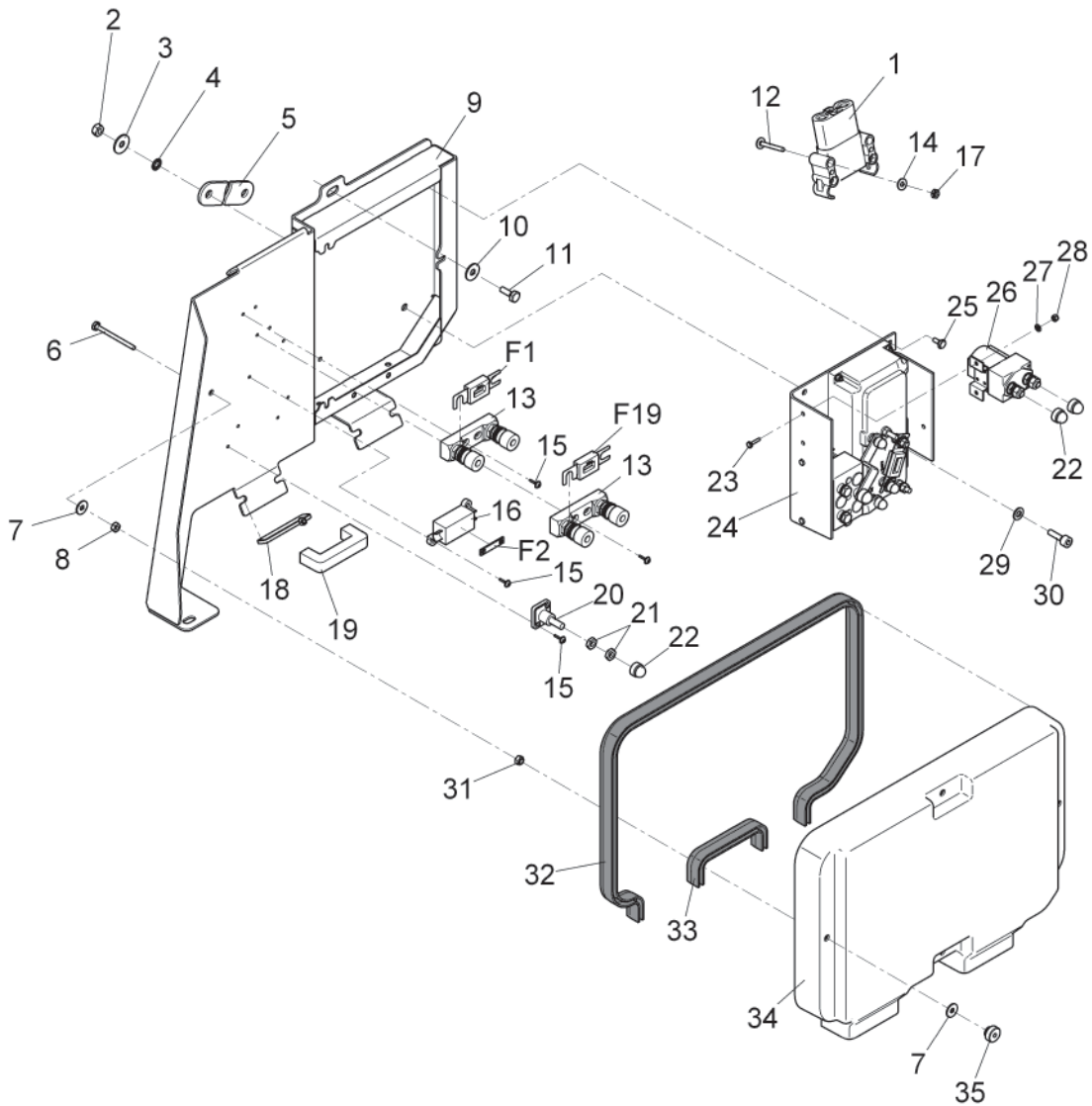
PARTS LIST - ELECTRICAL SYSTEM			
ITEM	PART NO.	QTY	DESCRIPTION
1	***	1	CONTROL PANEL R.H. B
2	01136860	4	COUNTERSUNK SCREW
3	01073440	4	WASHER M4,2
4	00712220	1	CONTROL PANEL STANDARD
5	01057710	1	CONTROL PANEL PLATE WITH FOIL
6	00001090	1	CONTROL PANEL STANDARD EXCHANGE
7	00870160	1	SEAL
8	***	1	SPARE PART ON REQUEST
9	***	1	DRIVE CONTROL COMPLETE
10	***	1	MODULE BLOCK
11	***	1	EQUIPMENT OF FOREFRONT
12	***	1	SPARE PART ON REQUEST
13	00109470	2	TUBE CLAMP
14	00053730	4	WASHER
15	***	2	SPARE PART ON REQUEST
16	00050810	1	SIGNAL HORN
17	***	1	ACCELERATOR PEDAL COMPLETE
18	00053020	1	HEXAGON SCREW
19	00051520	1	HEX. NUT
20	00109720	2	SCREW
21	00740090	3	DETENT EDGED WASHER
22	00902450	1	TUBE CLAMP
23	***	1	SPARE PART ON REQUEST
24	00870100	1	TUBE CLAMP
25	00053110	2	HEXAGON SCREW
26	01111990	1	NUT
27	00053750	3	WASHER
28	***	1	SPARE PART ON REQUEST
29	00051510	1	HEX. NUT
30	00053330	1	HEX. NUT
31	00159550	1	PIPE CLAMP
32	00121150	10	CABLE TIE
33	00967760	10	CABLE TIE
34	***	4	SPARE PART ON REQUEST
35	00121230	1	INTERFERENSE CONDENSER
36	01154290	1	CABLE LOOM BATTERY
37	03017860	1	CABLE LOOM
38	00133830	4	HEX. NUT
39	00874720	8	WASHER
40	00053680	4	DISTANCE BOLT
41	00132360	4	LENS HEAD SCREW M4X10
A7	01072710	1	SIDE BRUSH
W1	***	1	SPARE PART ON REQUEST
W4	***	1	SPARE PART ON REQUEST
W5	03013180	1	WIRING HARNESS W5
W6	***	1	SPARE PART ON REQUEST
W7	***	1	SPARE PART ON REQUEST
W8	***	1	SPARE PART ON REQUEST
W11	***	1	SPARE PART ON REQUEST
W12	***	1	SPARE PART ON REQUEST
W13	03013190	1	WIRING HARNESS W13
W15	03018750	1	WIRING HARNESS W15 (CAN-BUS)

Control Panel R.H.



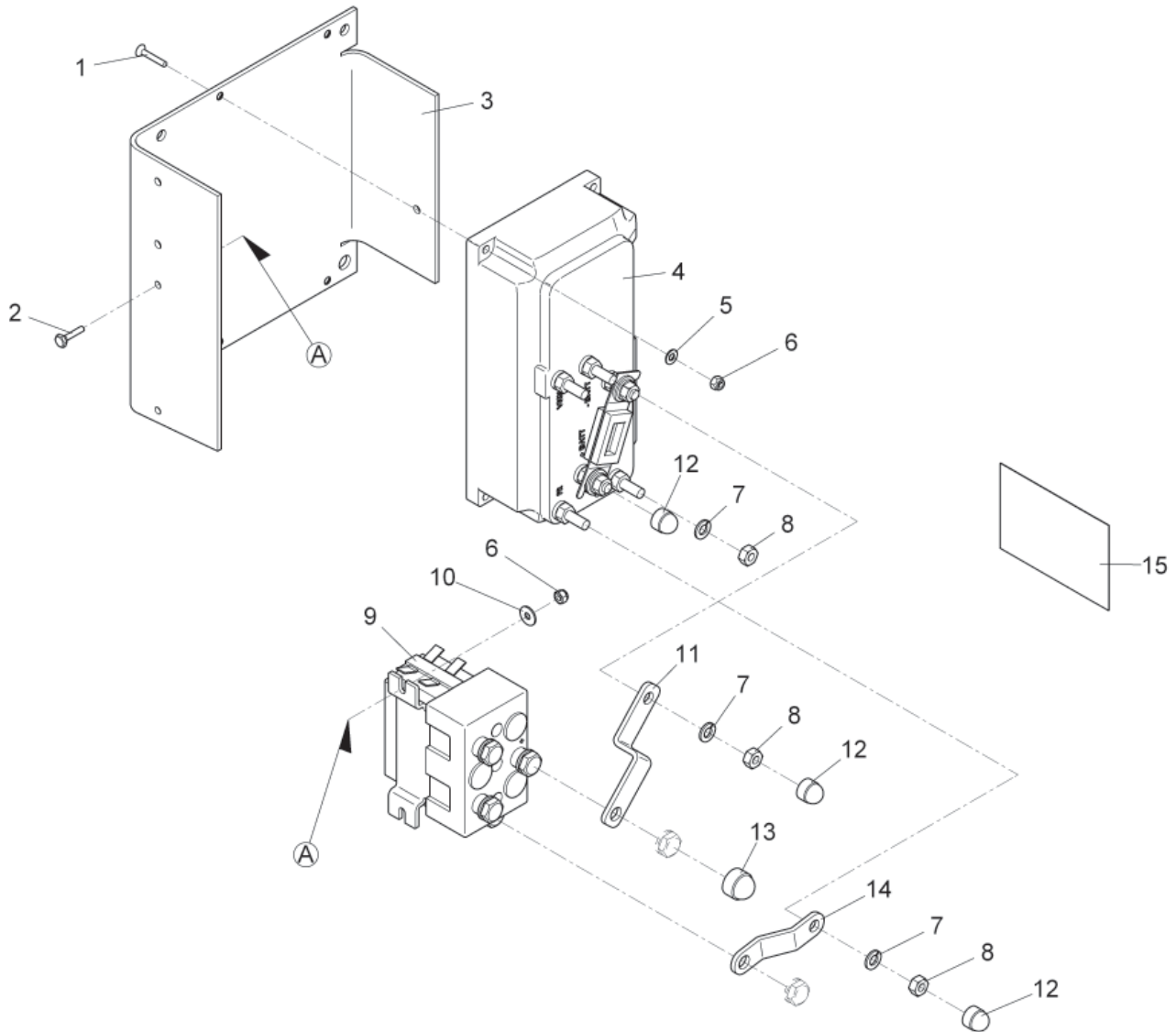
PARTS LIST - CONTROL PANEL R.H.			
ITEM	PART NO.	QTY	DESCRIPTION
1	01132970	1	SWITCH HORN
2	01273210	1	START SWITCH
3	01136860	4	COUNTERSUNK SCREW
4	01073440	4	WASHER M4,2
5	01132930	4	CAP
6	***	1	SPARE PART ON REQUEST
7	***	1	SPARE PART ON REQUEST
8	00870160	1	SEAL
9	01273200	1	FLAP LID
10	01141580	1	SET (2PC.) IGNITION KEY

Drive Control Complete



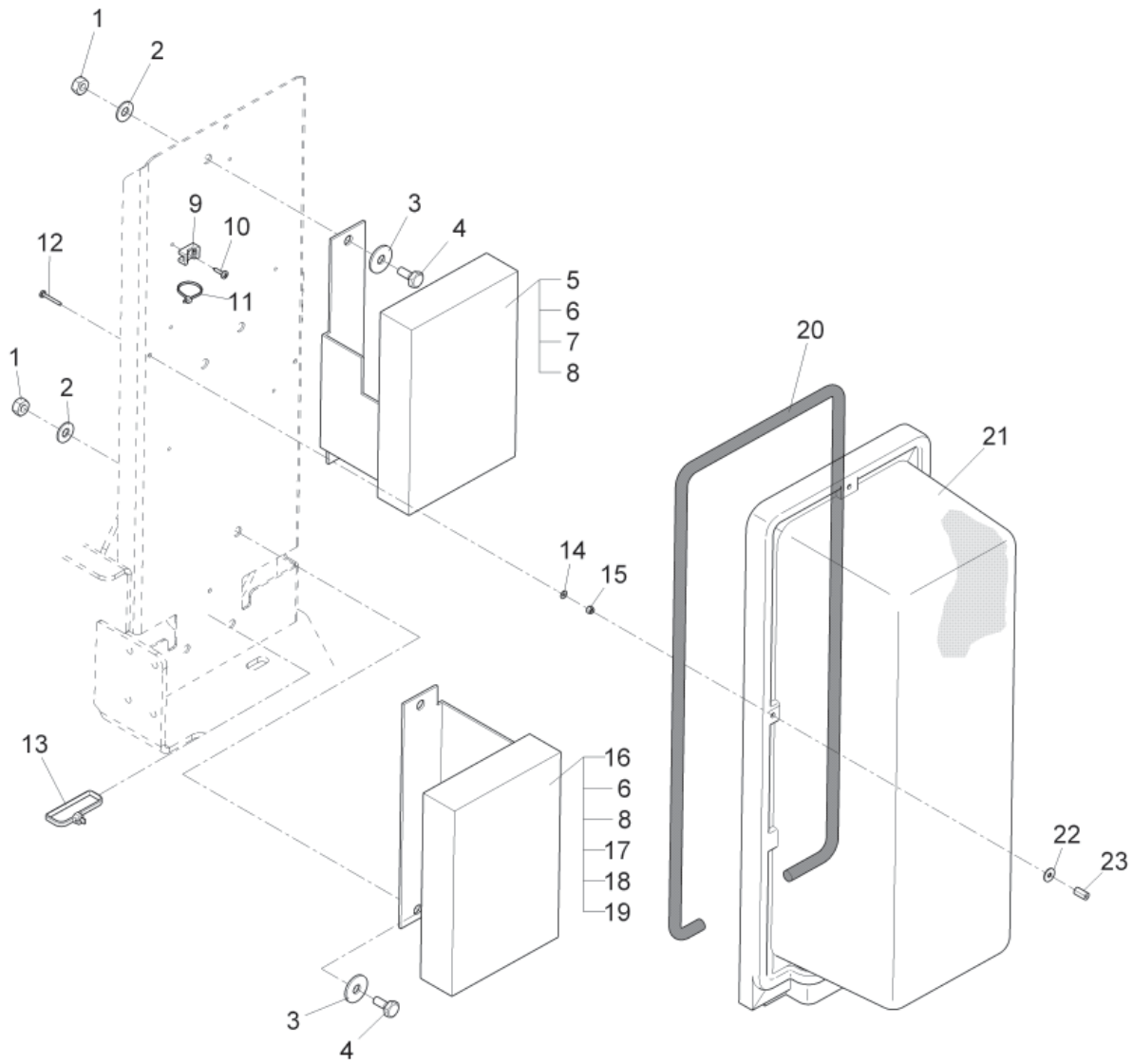
PARTS LIST - DRIVE CONTROL COMPLETE			
ITEM	PART NO.	QTY	DESCRIPTION
1	00972440	1	SOCKET
2	00053350	2	HEX. NUT
3	00042900	2	WASHER
4	00959240	1	SERRATED LOCK WASHER
5	01002590	1	CABLE EARTH
6	01132650	4	HEXAGON SCREW
7	00135120	8	WASHER
8	00053330	4	HEX. NUT
9	***	1	SPARE PART ON REQUEST
10	00740080	3	WAHSER
11	00053090	3	HEXAGON SCREW
12	01110780	3	LENS FLANGE SCREW
13	00121440	2	FUSE HOLDER
14	00730940	3	DETENT EDGED WASHER
15	01272680	10	SCREW
16	00903510	1	FUSE HOLDER
17	00135790	3	HEX. NUT
18	00967760	10	CABLE TIE
19	01110850	0,340	SEALING BAND
20	00744670	2	SINGLE CLAMP
21	00046500	4	HEX. NUT
22	00874930	4	LENS CAP
23	00523520	2	HEX.BOLT
24	01058190	1	DRIVING CONTROL
25	01171270	3	SCREW
26	00965060	1	SOLENOID SWITCH
27	00053710	2	WASHER
28	00133830	2	HEX. NUT
29	00053750	1	WASHER
30	00103300	1	SOCKET HEAD SCREW
31	00051520	4	HEX. NUT
32	01132640	1,060	EDGE PROTECTION
33	01132640	0,150	EDGE PROTECTION
34	01155030	1	HOOD
35	00903210	4	KNURLED NUT
F19	00101520	1	FUSE
F2	00903550	1	FUSE
F19	01058960	1	FUSE

Driving Control



PARTS LIST - DRIVING CONTROL			
ITEM	PART NO.	QTY	DESCRIPTION
1	00551120	4	COUNTERSUNK SCREW
2	00523520	2	HEX.BOLT
3	***	1	SPARE PART ON REQUEST
4	01153460	1	DRIVING CONTROL
5	00053710	4	WASHER
6	00133830	6	HEX. NUT
7	00053400	3	SPRING RING
8	00053330	3	HEX. NUT
9	01079810	1	REVERSION CONTACTOR
10	00557150	2	WASHER
11	01079040	1	CURRENT BAR
12	00525910	3	LENS CAP
13	00131610	1	LENS CAP
14	01079050	1	CURRENT BAR
15	03003000	1	TRANSPARENCY

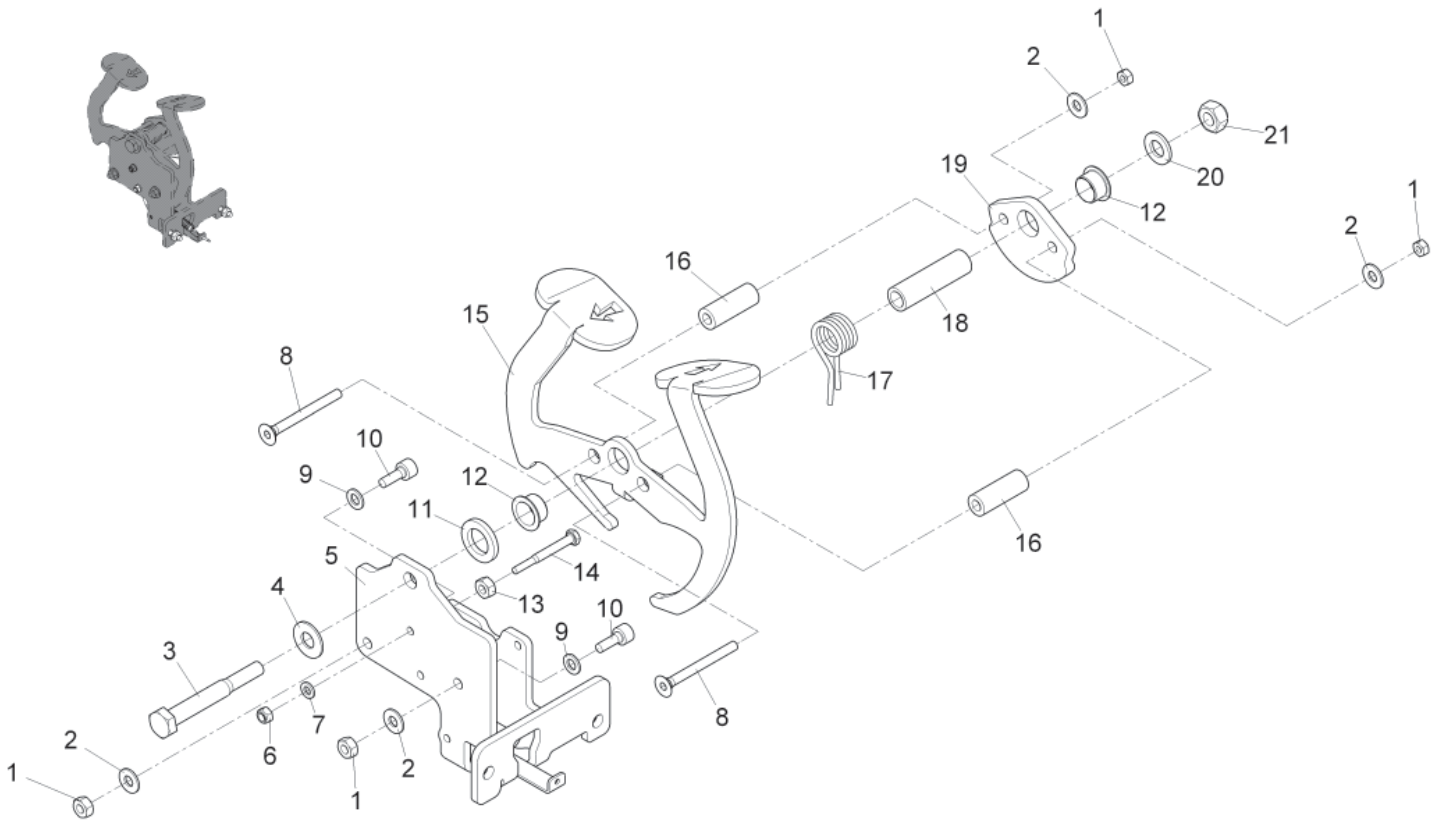
Module Block



PARTS LIST - MODULE BLOCK			
ITEM	PART NO.	QTY	DESCRIPTION
1	00053350	4	HEX. NUT
2	00740090	4	DETENT EDGED WASHER
3	00042900	4	WASHER
4	00053080	4	HEXAGON SCREW
5	01058310	1	MODULE
6	00874950	5	FUSE
7	00744700	1	FUSE
8	01171050	1	CODIFICATION ELEMENT
9	00780710	6	SOCKET
10	00127340	6	TAPPING SCREW
11	00121010	6	CABLE TIE
12	00022180	3	HEX.BOLT
13	00967760	1	CABLE TIE
14	00553740	3	WASHER
15	00022200	3	HEX. NUT
16	00512460	1	MODULE 3E
17	01056100	1	FUSE
18	01153340	1	FUSE LINK
19	00874960	2	FUSE
20	00740410	1,210	CORD GASKET
21	01058320	1	HOOD
22	00557150	3	WASHER
23	00053900	3	HEX. NUT

PARTS LIST - EQUIPMENT OF FOREFRONT			
ITEM	PART NO.	QTY	DESCRIPTION
1	01141170	1	RELAY
2	01271830	1	RELAY BASE
3	00731550	2	FILLISTER-HEAD SCREW
4	00053710	17	WASHER
5	01271780	2	RETAINER
6	00874930	2	LENS CAP
7	00046500	4	HEX. NUT
8	00744670	2	SINGLE CLAMP
9	***	1	SPARE PART ON REQUEST
10	00133830	9	HEX. NUT
11	00051520	2	HEX. NUT
12	00135120	2	WASHER
13	00959220	2	SCREW
14	01154300	1	FUSE BOX
15	00952610	2	QUICK-CONNECT RECEPTACLE
16	00976540	2	PLASTIC COVER
17	00053680	4	DISTANCE BOLT
18	00873150	1	RIVET NUT
19	00132360	6	LENS HEAD SCREW M4X10
20	01175790	1	CONTROL MODULE
21	***	1	SPARE PART ON REQUEST
22	00131430	2	COUNTERSUNK SCREW
23	00512440	1	AUXILIARY SUPPLY MODULE
24	***	1	SPARE PART ON REQUEST
25	00023080	4	HEX.BOLT
26	***	4	SPARE PART ON REQUEST
27	00532960	1	SIGNAL TRANSMITTER
28	00902450	1	TUBE CLAMP
29	00053100	1	HEXAGON SCREW
30	00042900	1	WASHER
31	00970200	1	TUBE CLAMP
32	01130110	1	NUT
33	00501420	4	SCREW
C1	00121230	1	INTERFERENSE CONDENSER
F3	00874970	1	FUSE
F5	00509550	1	FUSE
F6	00874950	1	FUSE
F7	00874950	1	FUSE
F8	00733640	1	FUSE
F9	00874960	1	FUSE
F10	00874970	1	FUSE
F11	00509550	1	FUSE
F12	00509550	1	FUSE
F13	00874970	1	FUSE
F14	00874970	1	FUSE
F15	00874950	1	FUSE
V1	01154120	1	DIODE
V10	01154120	1	DIODE

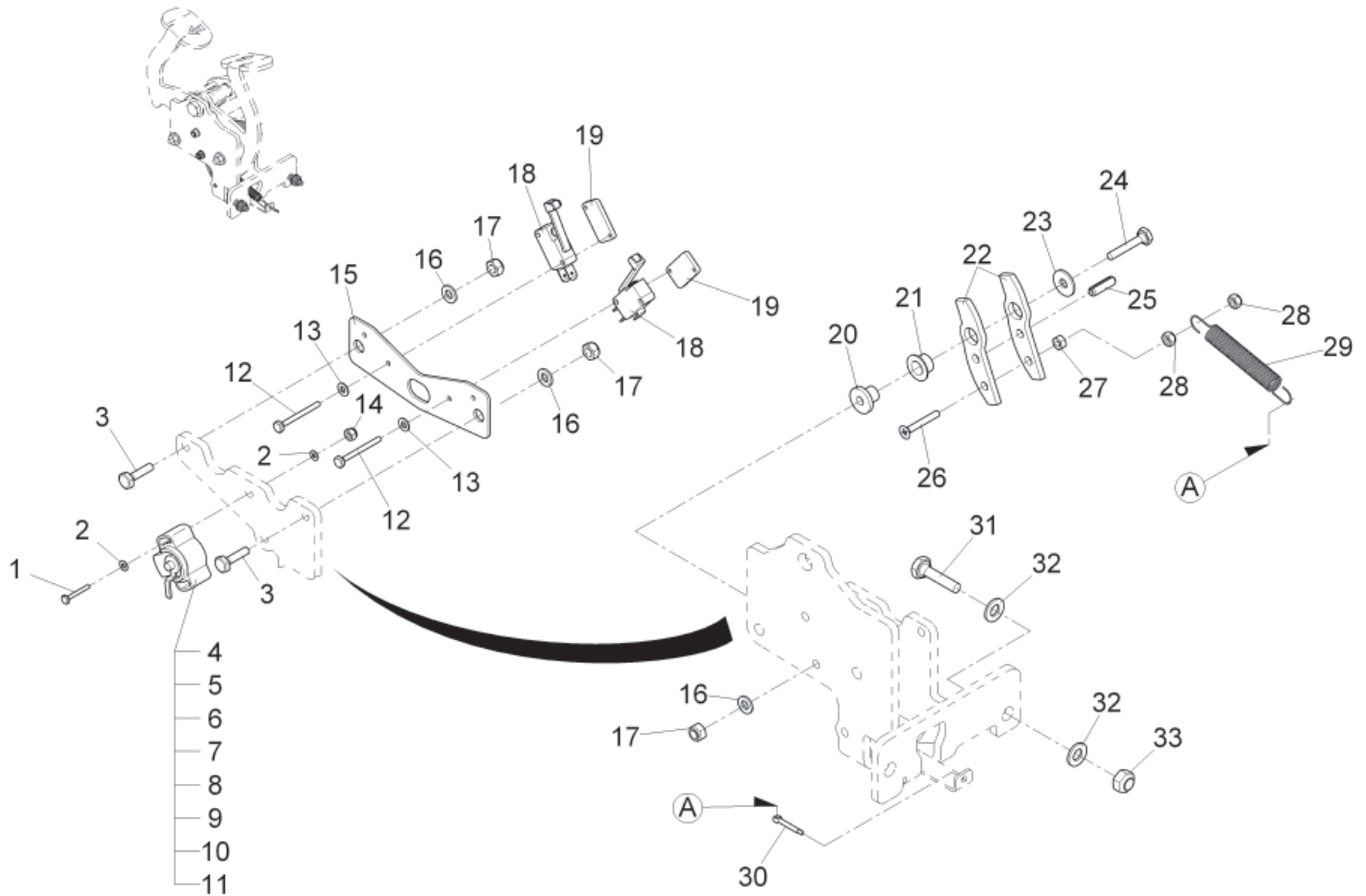
Accelerator Pedal - Part 1



PARTS LIST - ACCELERATOR PEDAL - PART 1

ITEM	PART NO.	QTY	DESCRIPTION
1	00053350	4	HEX. NUT
2	00740090	4	DETENT EDGED WASHER
3	00105390	1	HEX.BOLT
4	00875950	1	WASHER
5	***	1	SPARE PART ON REQUEST
6	00051520	1	HEX. NUT
7	00053730	1	WASHER
8	01130550	2	COUNTERSUNK SCREW
9	00924700	2	WASHER
10	00045540	2	CYLINDER HEAD SCREW
11	00154550	1	WASHER
12	01130490	2	SLIDE BEARING BUSH
13	00053330	1	HEX. NUT
14	00737680	1	HEX.BOLT
15	01130540	1	ACCELERATOR PEDAL
16	01130510	2	BUSHING
17	01130530	1	SPRING
18	01130520	1	BUSHING
19	01130500	1	PLATE
20	00053770	1	WASHER
21	00051490	1	HEX. NUT

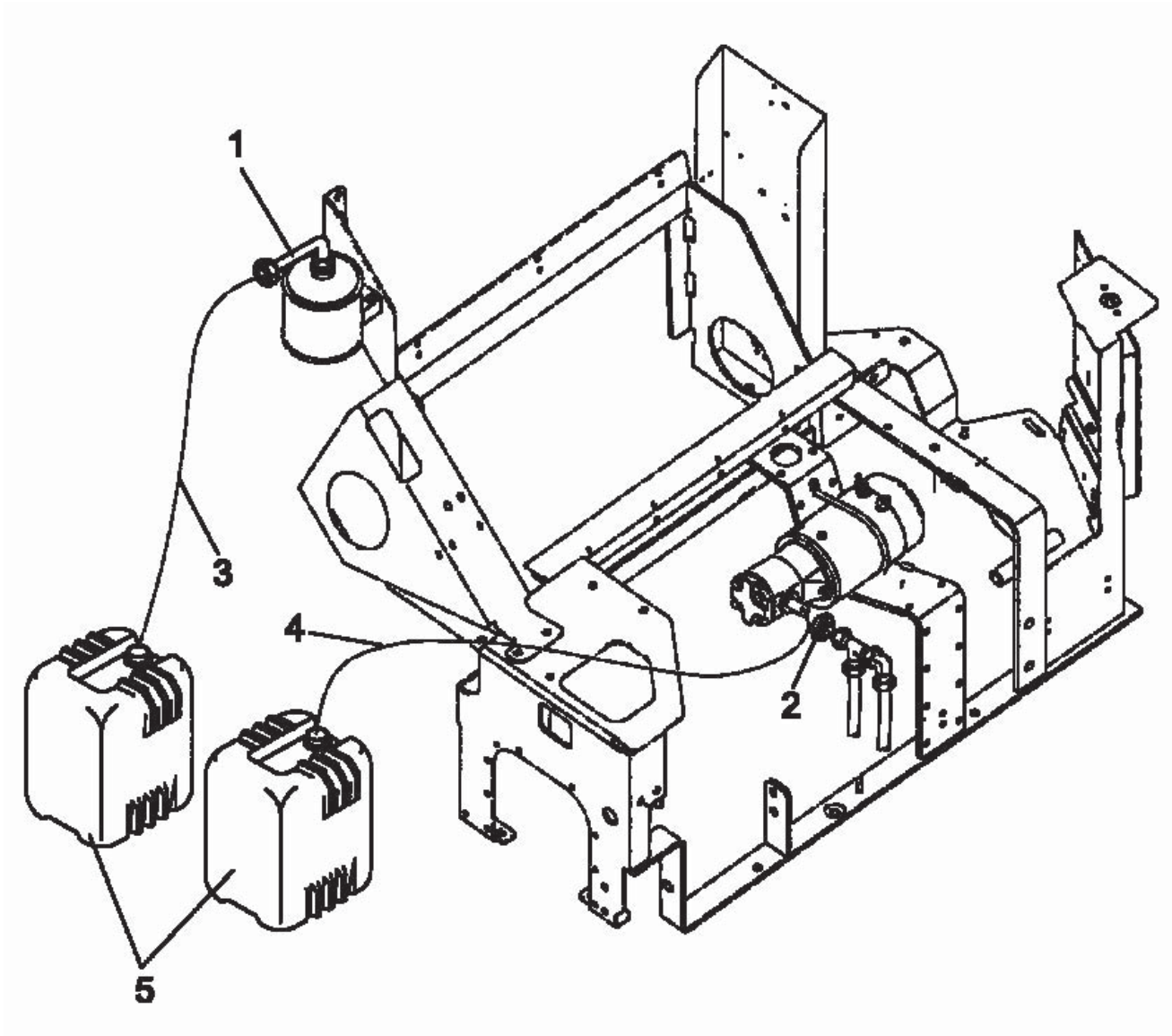
Accelerator Pedal - Part 2



PARTS LIST - ACCELERATOR PEDAL - PART 2

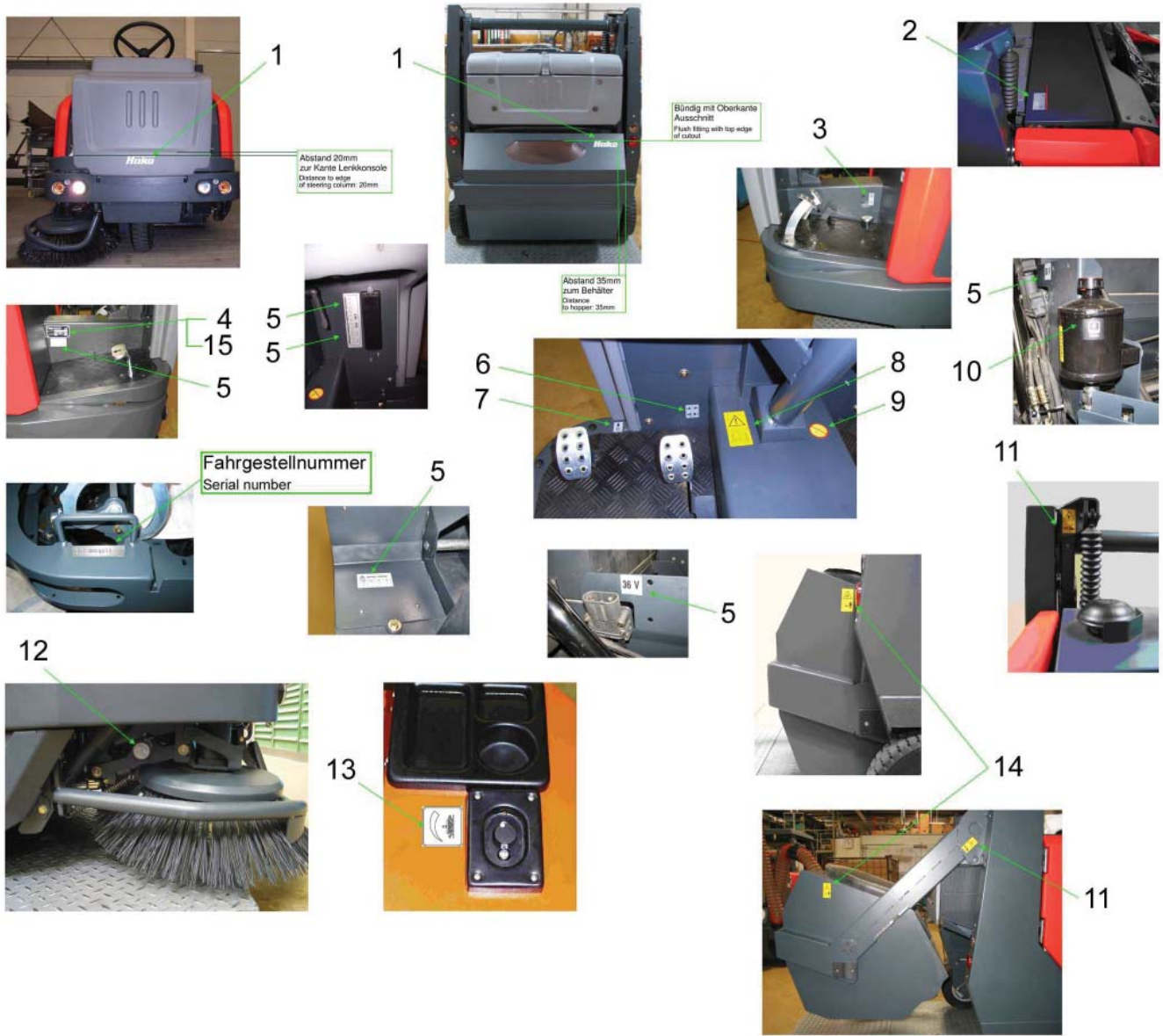
ITEM	PART NO.	QTY	DESCRIPTION
1	01130570	2	HEX.BOLT
2	00874720	4	WASHER
3	00053020	2	HEXAGON SCREW TURN ANGLE TRANSMITTER
4	00975500	1	BACKING FILM
5	03008790	1	PIN CONTACT SEAL
6	01006210	6	PIN HOUSING SOCKET-CONT. POS.
7	01006190	6	LOCK 6,3X0,8 (0,5-1,
8	03003250	1	5)
9	00559670	4	FEMALE-HOUSING
10	00083640	4	1-POLE POSITIVE LOCK
11	03003260 1	1520 MM	LINE
12	00022180	4	HEX.BOLT
13	00553740	4	WASHER
14	00133830	2	HEX. NUT
15	01113350	1	SHEET METAL
16	00053730	3	WASHER
17	00051520	3	HEX. NUT
18	01277440	2	MICRO SWITCH
19	01074840	2	THREADED PLATE
20	01130580	1	BUSHING
21	01130590	1	SLIDE BEARING BUSH
22	01130600	2	PLATE
23	00135120	1	WASHER
24	00053040	1	HEX.BOLT
25	00046440	1	DOWEL PIN
26	01073650	1	COUNTERSUNK SCREW
27	00053320	1	HEX. NUT
28	00051340	2	HEX. NUT
29	01130560	1	PULL SPRING
30	00551410	1	COTTER PIN
31	00053110	2	HEXAGON SCREW
32	00053750	4	WASHER
33	00051510	2	HEX. NUT

Venting Kit



PARTS LIST - VENTING KIT			
ITEM	PART NO.	QTY	DESCRIPTION
1	01011830	1	STRAIGHT SCREW
2	01059630	1	CONNECTION PLUG
3	01059640	1	PRESSURE HOSE
4	01050900	1	PRESSURE HOSE
5	00112270	2	TANK

Labels



PARTS LIST - LABELS			
ITEM	PART NO.	QTY	DESCRIPTION
1	01076790	2	LABEL HAKO SILVER
2	01153280	1	DECAL
3	01131540	1	LABLE BRUSH APRON
4	03008430	1	TYPE PLATE
5	03008790	5	BACKING FILM
6	01131560	1	DECAL PARKING BRAKE
7	01152000	1	DECAL BRUSH PROOF
8	01071710	1	DECAL "INSTRUCTION MANUAL"
9	01131570	1	LABLE HIGH-PRESSURE CLEANER
10	01132710	1	DECAL HYDRAULIC OIL
11	01142760	3	DECAL SQUEEZING DANGER
12	03001540	1	DECAL
13	01153300	1	DECAL SIDE BROOM
14	00083600	2	DECAL SAFETY CLEARANCE
15	00504370	4	BLIND RIVET

PowerBoss[®]
The Power of Clean

'The Power of Clean'

**PowerBoss[®] is a Full Line Manufacturer of Sweepers and Scrubbers,
for Industrial Facilities.**

PowerBoss[®], Minuteman International, Inc. 14N845 U.S. Route 20 Pingree Grove, Illinois 60140
Phone: 800-323-9420 www.PowerBoss.com Email: tech@powerboss.com
A Member of the Hako Group

SM4268D (1080) Rider Scrubber #988776 Rev C 06/21
PowerBoss[®] Copyright 2021