

Parts Catalog SM48105DSS Disc Rider Scrubber



PREFACE

Thank you for your purchase of the new industry standard for scrubbers. PowerBoss® takes great pride in offering the most dependable, reliable and best value in industrial power scrubbers and sweepers. We set the standard.

Our Customer Service Department would like to hear from you. If you see any errors, omissions or something that needs clarification in this Parts Catalog please let us know. We are working hard towards continually improving our processes to bring you the best you deserve. Please copy the form below, fill out and comment on how you found our catalog.

Thank you!
The PowerBoss Team

Name: _____

Title: _____

Company Name: _____

Address: _____

Country: _____

Type of equipment or model number: _____

Comments: _____

Please return to:
Customer Service Manager
PowerBoss®, Minuteman International, Inc.
14N845 U.S. Route 20
Pingree Grove, Illinois 60140 USA

Phone: (800) 323-9420
Email: tech@powerboss.com

This is the Parts Catalog for the PowerBoss® B400R Disc Rider Scrubber machine.

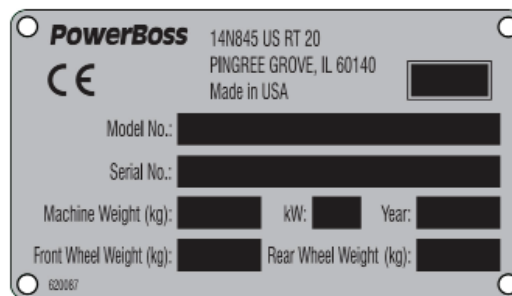
We believe this machine will provide excellent service for many years. Best results will be obtained if:

- The machine is operated with reasonable care.
- The machine is maintained regularly per the maintenance schedule provided in the User Manual.
- The machine is maintained with PowerBoss® supplied or equivalent parts.

All right side and left side references to the machine (except for engine) are determined by facing the direction of forward travel. The front of the engine or engine fan faces the front of the machine. Some hardware considered to be common or locally available has been omitted from the parts section to make this manual clear. Be sure to use equivalent hardware when replacement becomes necessary.

The Model and Serial Number of your machine is shown on the I.D. name plate. This information is needed when contacting Technical Support or when ordering parts. The I.D. plate is mounted on the left side wall of the operator seating area.

Example I.D Plate:



Parts may be ordered by phone, fax or e-mail from any PowerBoss® parts and service center. Before ordering parts or supplies, be sure to have your machine model number and serial number handy. For your convenience Fill out the data block below for future reference.

MACHINE DATA Fill out at installation	
Serial Number:	_____
Engine Serial Number:	_____
Sales Rep.:	_____
Date of Install:	_____

All information contained in this catalog is current at the time of printing. Minuteman International, Inc. reserves the right to make changes at any time without notice.

PowerBoss®, Minuteman International, Inc., Copyright 2021, Printed in USA

TECHNICAL SPECIFICATIONS

Model: B400R Disc Rider Scrubber

Model No.: SM48105DSS, SM48105DSSQP

Dimensions

Name	Unit	B400R	B400 RM	B400 RH
Machine length	mm	2020	2810	2810
Machine width: with rotating brush 1230 with rotating brush 1550 (Side collision protection option: + 10 cm each)	mm	1300 1600		
Height of machine without/with overhead guard	mm	1500/2120		

Working width

Name	Unit	B400R	B400 RM	B400 RH
Rotating brush unit: Rotating brush 1230 Rotating brush 1550	mm	1230 1550		
Squeegee: Rotating brush 1230 Rotating brush 1550	mm	1360 1660		
Pre-sweep suction unit with side broom (sweeping path): Rotating brush 1230 Rotating brush 1550	mm	1520 1680		

Weights

Name	Unit	B400R	B400 RM	B400 RH
Weight when empty (without batteries, water, driver, dirt and options) Rotating brush 1550:	kg	820	990	1130
Weight with batteries (without water, driver, dirt and options) Rotating brush 1550:	kg	1730	1900	2040
Permissible total weight (without options)	kg	2210	2440	2610

Driving performance

Name	Unit	B400 R	B400 RM	B400 RH
Driving speed (standard): Transport and cleaning Forwards (standard / X-AC) Reversing	km/h	9/9 4	8/9 4	
Driving speed (StVZO option): Transport and cleaning Forwards (standard / X-AC) Reversing	km/h		8/8 4	
Climbing capacity when cleaning: Front-wheel drive X-AC drive	%		6 (2 min.) 15 (up to 3 min. at 4 km/h)	
Climbing capacity during transport (ready for operation): Front-wheel drive X-AC drive	%		10 (1 min.) 18 (2 min at 4 km/h)	
Ramp angle (slope angle) front / rear	%		18/36	
Turning circle in gear: with 3-rotating brush unit 1230 with 3-rotating brush unit 1550	mm	2130 2280	2880 3020	

Wheels

Name	Unit	B400 R	B400 RM	B400 RH
Wheel diameter front/rear	mm	350		
Specific wheel contact (ready for operation with driver): front rear	N/mm ²	0.84 0.80	1.15 0.82	1.16 0.77

Solution/Waste water tank

Name	Unit	B400 R	B400 RM	B400 RH
Solution tank (with empty waste water tank)	Litre	400		
Waste water tank (with empty solution tank)	Litre	400		
Tank concept		Flex wall		
Fresh water volume with auto filling	Litre	388		
Duration for filling the tank with auto filling	Min.	24		
Water supply	l/min	3 to 9		

Rotating brush units

Name	Unit	B400 R	B400 RM	B400 RH
Number of rotating brushes	Qty.	3		
Speed of rotating brushes	rpm	220		
Brush contact pressure normal/stage1/stage2 3-rotating brush unit 1230 3-rotating brush unit 1550	kg	55 / 75 / 95 80 / 110 / 140		
Diameter of rotating brush: Rotating brush 1230 Rotating brush 1550	mm	430 530		
Theoretical sweeping capacity: Rotating brush 1230 - Standard - X-AC Rotating brush 1550 - Standard - X-AC	m ² /h	11,100 11,100 14,000 14,000	9,800 11,100 12,400 14,000	

Vacuum system

Name	Unit	B400 R	B400 RM	B400 RH
Air quantity suction turbines (maximum)	m ³ /h	258		
Vacuum (maximum)	mbar	180		

Electrical system

Name	Unit	B400 R	B400 RM	B400 RH
Nominal voltage	V	36		
Battery capacity: Small battery Large battery	Ah	540 810		
Battery life with battery 810 Ah: Rotating brush 1230 Rotating brush 1550	h	8.0 7.1	7.1 6.4	
Maximum total rated input: Rotating brush 1230 Rotating brush 1550	kW	13.4 14.7	14.7 16.0	
Power consumption drive motor (P1): Front-wheel drive X-AC drive front/rear	kW	5.8 9.0		
Power consumption vacuum motor (P1) Suction turbines:	kW	1.3		
Power consumption brush motor (P1) 3-rotating brush unit 1230 3-rotating brush unit 1550	kW	2.8 4.1		
Sweeping roller		0.8		
Side broom		0.2		
Power consumption water pump (P1)	kW	0.1		
Type of protection		IPX 3		
Protection class		III		

Pre-sweep suction unit

Name	Unit	B400 RM	B400 RH
Sweeping roller width	mm	880	
Sweeping roller diameter, new / worn	mm	250/190	
Sweeping roller speed	rpm	510	
Sweeping level width	mm	50	
Side broom diameter: Rotating brush 1230 Rotating brush 1550	mm	400 455	
Side broom speed	rpm	100	
Gross dirt hopper volume	Litre	88 (2x44)	150
Maximum dirt weight	kg	100 (2x50)	130
Lift height of dirt hopper	mm		1660
Filter area	m ²	1.6	
Filter dust class (IEC 60335-2-69)		L	
optional		M / H	

**Noise emission value
B400 R**

		with rotating brush unit	
		Standard operation	Silent operation
The sound power level (L_{wAd}) measured under the customary conditions of use according to DIN EN 60335-2-72 is:	dB (A)	85	
The sound pressure level (L_{pA}) (at the ear of the driver) measured under the customary conditions of use according to DIN EN 60335-2-72 is:	dB (A)	68	
Measuring uncertainty (K_{pA})	dB (A)	2	

B400 RM/RH

		with rotating brush unit		with pre-sweep suction unit	
		Standard operation	Silent operation	Standard operation	Silent operation
The sound power level (L_{wAd}) measured under the customary conditions of use according to DIN EN 60335-2-72 is:	dB (A)	85		88.7	
The sound pressure level (L_{pA}) (at the ear of the driver) measured under the customary conditions of use according to DIN EN 60335-2-72 is:	dB (A)	68		74	
Measuring uncertainty (K_{pA})	dB (A)	2		2	

Vibration

Under the customary conditions of use, the weighted effective value of the acceleration to which the upper limbs (hand-arm) are subjected to according to DIN EN ISO 5349 is:	m/s ²	< 2.5
Under the customary conditions of use, the weighted effective value of the acceleration to which the body (feet or seat surface) is subjected to DIN EN ISO 2631-1 is:	m/s ²	< 2.5

TABLE OF CONTENTS

PREFACE 2

TECHNICAL SPECIFICATIONS 4

OPERATION AREA (97144216) 14

 SEAT PLATE COMFORT 14

 SEAT PLATE COMFORT 16

 SEAT PLATE COMFORT 18

 SIDE CONSOLE COMPLETE 20

 STEERING TOWER STANDARD 22

 CONTROL PANEL 26

 OPERATION AREA 28

 FLOOR PAN 30

 FLOOR PAN L.H. 32

 FLOOR PAN R.H. 34

 STEERING COLUMN 36

 STEERING WHEEL COMPLETE 38

 OPERATION AREA 40

 STEERING GEAR 42

 STEERING GEAR 44

 RETAINER 46

 R.H. SIDE DOOR 48

 OPERATION AREA 50

 OPERATION AREA 52

 FACE WALL 54

 FACE WALL 56

 BATTERY CONNECTOR STUCK 58

 L.H. SIDE DOOR 60

 TELESCOPIC LOCK 62

CHASSIS (97145338) 64

 CHASSIS 64

 TRACTION DRIVE A/C 66

 CHASSIS HARDWARE 68

 BUMPER BAR 70

 FRONT BUMPER 1230 71

 REAR AXLE 72

 COLLISION PROTECTION 1230 74

 REAR FLAP 76

WATER PLATE 78

 WATER PLATE 78

 SIGNAL HORN 80

 WATER PUMP 81

 ELECTROVALVE 82

 FLOW METER ASSEMBLY 83

 PREPARATION FOR SPRAYING TOOL 84

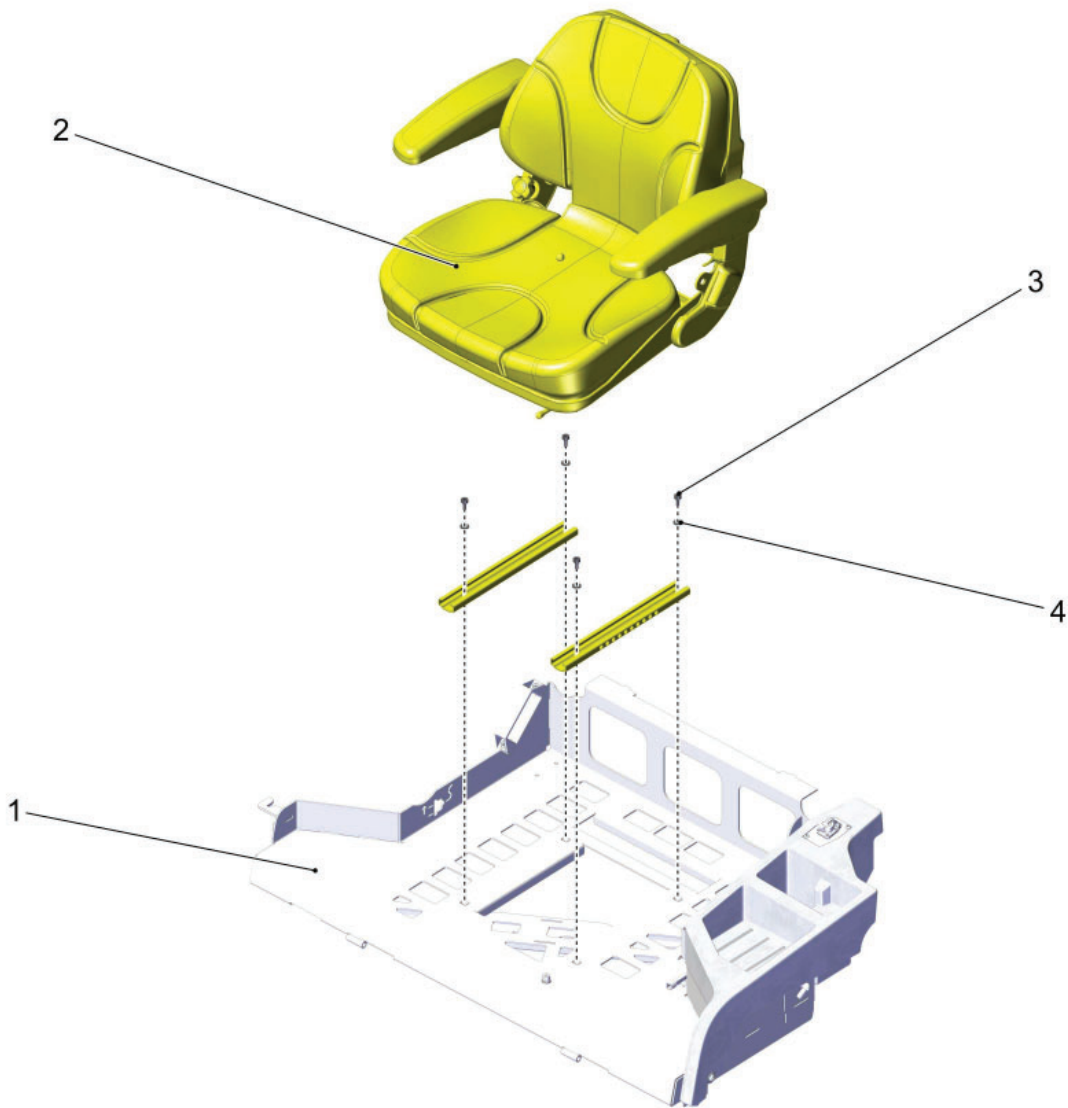
WATER INTAKE	86
ELECTRIC SYSTEM	88
ELECTRICAL EQUIPMENT	88
CONTROLLERS AND MOUNTING HARDWARE	90
DRIVE CONTROL A/C AND SOLENOID SWITCHES MOUNTING HARDWARE	92
SOLENOID SWITCHES	94
DRIVE CONTROL A/C	95
COVERING	96
WATER TANK	98
WATER TANK	98
GUIDE TANK	100
ROUGH FILTER RETAINER	102
WIDE-MESH SCREEN	104
WATER TANK STANDARD	106
PUT-UP HINGE	108
COVER	110
TANK STANDARD	112
ANGLE SOCKETS	114
TANK STANDARD	116
TANK STANDARD	118
TANK STANDARD	120
TANK STANDARD	122
TANK STANDARD	124
INSPECTION OPENING	125
HOSE COMPLETE	126
TANK STANDARD	127
PRESSURE SENSOR	128
TANK STANDARD	130
VACUUM CHANNEL	132
FILLING UNIT STANDARD	134
TANK PARTS	136
WORKING TOOLS	138
BRUSH HEAD CONNECTION	138
BRUSH HEAD LIFT	140
BRUSH HEAD LIFT	142
DISK BRUSH HEAD 1230	144
DISK BRUSH HEAD 1230	146
SIDE WIPER R.H. DISK BRUSH HEAD 1230	148
DISK BRUSH HEAD 1230	150
WEAR INDICATOR	152
DISK BRUSH HEAD 1230	154
BRUSH CARRIER R.H.	156
BRUSH CARRIER L.H.	157
DISK BRUSH HEAD 1230	158
DISK BRUSH HEAD 1230	160

MANIFOLD	162
DISK BRUSH HEAD 1230	164
HEAD ROCKER	166
DISK BRUSH HEAD 1230	168
SIDE WIPER L.H. DISK BRUSH HEAD 1230	170
SUCTION UNIT 1360	172
SUCTION UNIT CONNECTION 1360	174
SUCTION UNIT CONNECTION 1360	176
SUCTION UNIT CONNECTION 1360	178
SQUEEGEE LIFTING	180
PRE-SWEEP UNIT	182
SIDE BRUSH 1230	182
SIDE BRUSH 1230 R.H.	184
SIDE BRUSH 1230 R.H.	186
SIDE BRUSH 1230 R.H.	188
SIDE BRUSH 1230 L.H.	190
SIDE BRUSH 1230 L.H.	192
SIDE BRUSH 1230 L.H.	194
PRE-SWEEP UNIT	196
SEALING FOR SWEEPER TUNNEL R.H.	198
LIFTING SHAFT	200
ROCKER	202
PRE-SWEEP UNIT	204
PRE-SWEEP UNIT	206
ENGINE BRACKET	208
ENGINE BRACKET	210
SHAFT	212
SWEEPER TUNNEL	214
SHAFT	216
SWEEPER TUNNEL	218
SWEEPER TUNNEL	220
ROCKER ARM L.H.	222
PRE-SWEEP UNIT H	224
TANK H	226
TANK H	228
TANK H	230
TANK H	232
TANK H	234
TANK H	236
TANK H	238
TANK H	240
PRE-SWEEP UNIT H	242

TANK FLAP	244
TANK FLAP	246
TANK FLAP	248
TANK FLAP	250
TANK FLAP	252
PRE-SWEEP UNIT H	254
PRE-SWEEP UNIT H	256
FILTER BOX H	258
FILTER BOX H	260
ASPIRATOR H	262
PRE-SWEEP UNIT H	264
PRE-SWEEP UNIT H	266
PILLAR R.H.	268
PILLAR R.H.	270
PRE-SWEEP UNIT H	272
PRE-SWEEP UNIT H	274
HOOD H	276
PRE-SWEEP UNIT H	278
PILLAR L.H.	280
PILLAR L.H.	282
SIDE COVERING R.H. (92080530)	284
SIDE COVERING L.H.	286
PRE-SWEEP UNIT H	288
PRE-SWEEP UNIT H	290
PRE-SWEEP UNIT H	292
PRE-SWEEP UNIT H	294
PRE-SWEEP UNIT H	296
PRE-SWEEP UNIT H	298
CHAIN	300
PRE-SWEEP UNIT H	302
MEASURING ROD 1230	304
SPRAY NOZZLE	306
HOLDER FOR SPRAY SUCTION TOOL	308
WATER CONNECTION	310

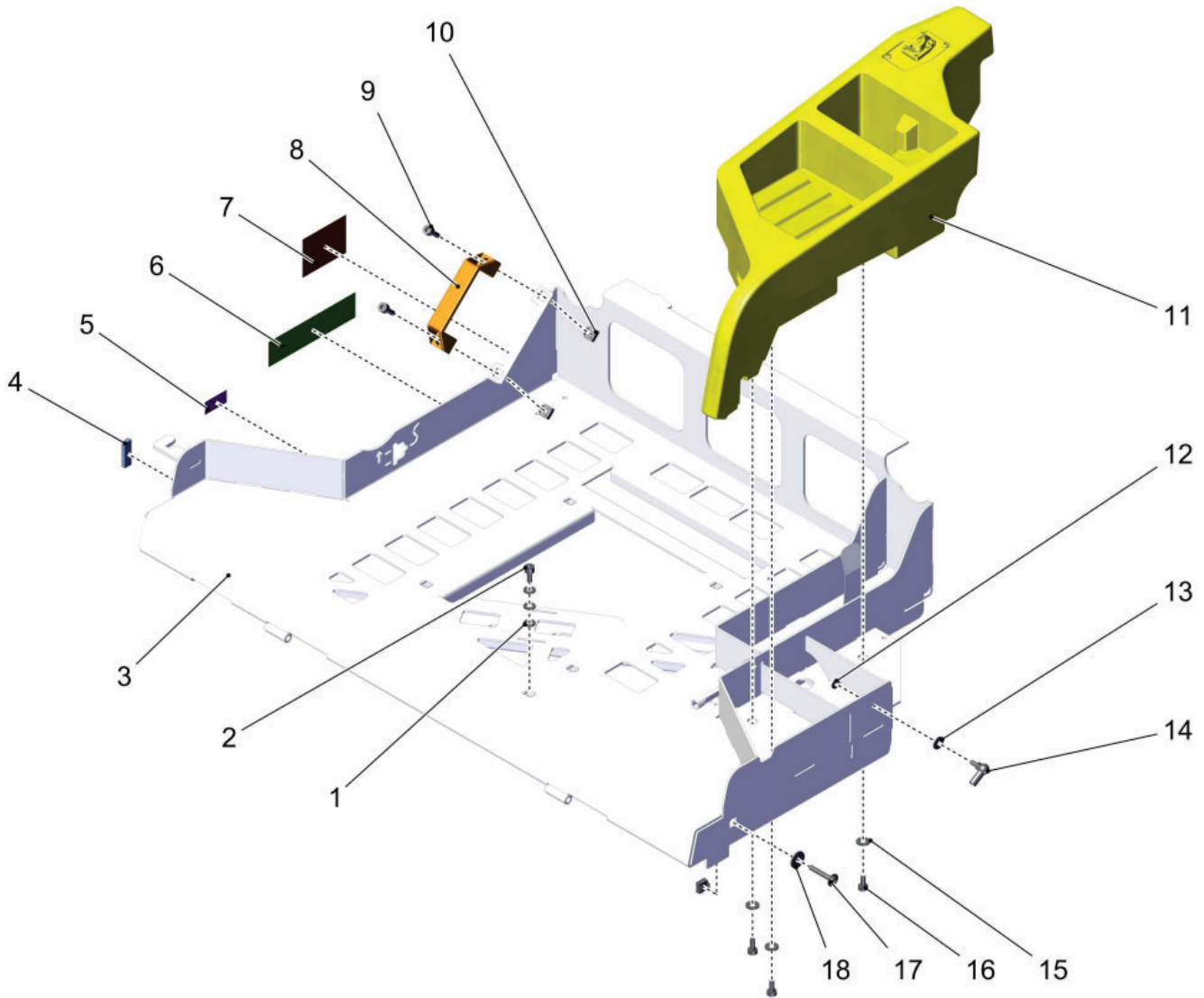
Operation area (97144216)

Seat Plate Comfort



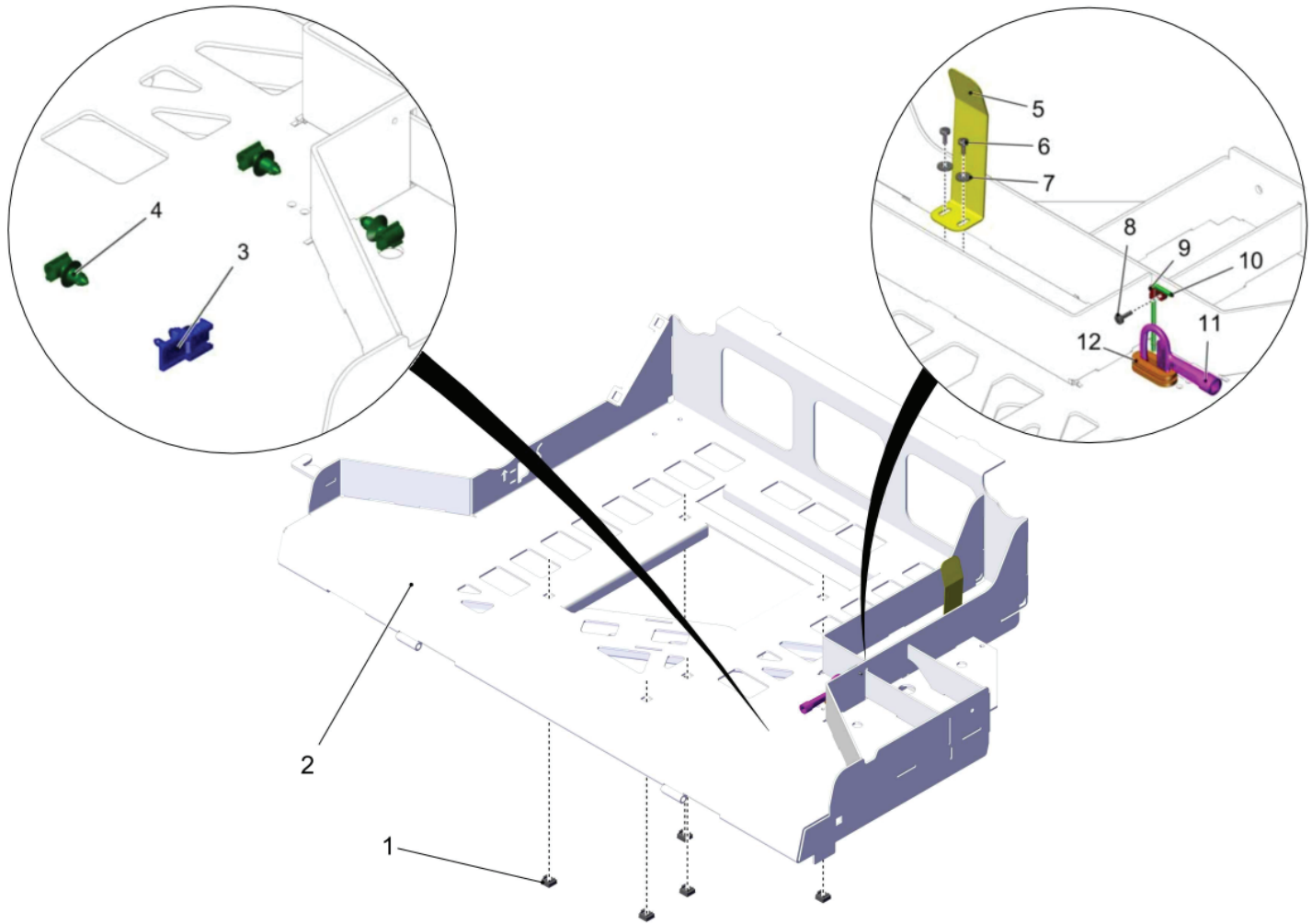
PARTS LIST - SEAT PLATE COMFORT			
ITEM	PART NO.	QTY	DESCRIPTION
1	***	1	SEAT PLATE COMFORT
2	01370010	1	OPT - COMFORT SEAT B120R, B175R
3	00022870	4	CYL SCREW M8 X 16
4	12310041	4	WASHER
5	01277700	1	SEAT CONTACT SWITCH

Seat Plate Comfort



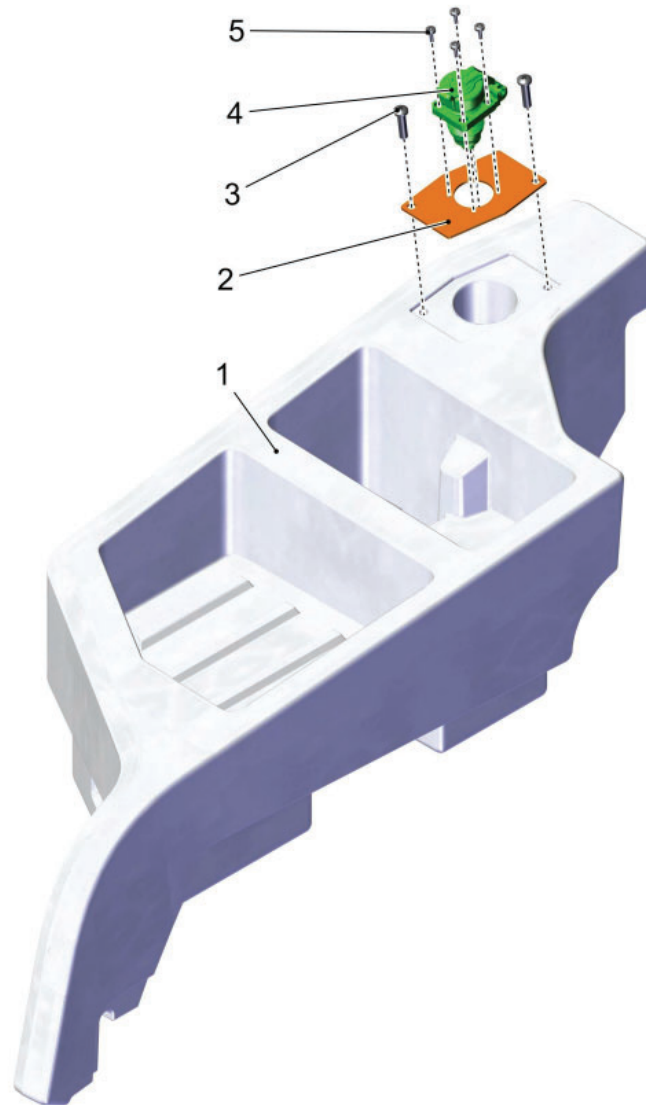
PARTS LIST - SEAT PLATE COMFORT			
ITEM	PART NO.	QTY	DESCRIPTION
1	12310041	3	WASHER
2	00154410	1	CYLINDER HEAD STUD
3	***	1	SEAT PLATE COMFORT
4	00881980	0,040	SEALING TAPE
5	01371680	1	DECAL
6	17267139	1	DECAL EXPLOSIVE GAZES
7	01380040	1	DECAL BATTERY CHARGE
8	01102910	1	HANDLE
9	00045540	2	SOCKET HEAD CAP SCREW
10	01154830	3	CAGE NUT
11	***	1	SIDE CONSOLE COMPLETE
12	00730940	1	DETENT WASHER
13	12332011	1	WASHER
14	00855580	1	ANGLE JOINT
15	00740090	3	DETENT WASHER
16	00022870	3	CYL SCREW M8 X 16
17	01134740	1	FILISTER HEAD FLANGE SCREW
18	12332029	1	WASHER

Seat Plate Comfort



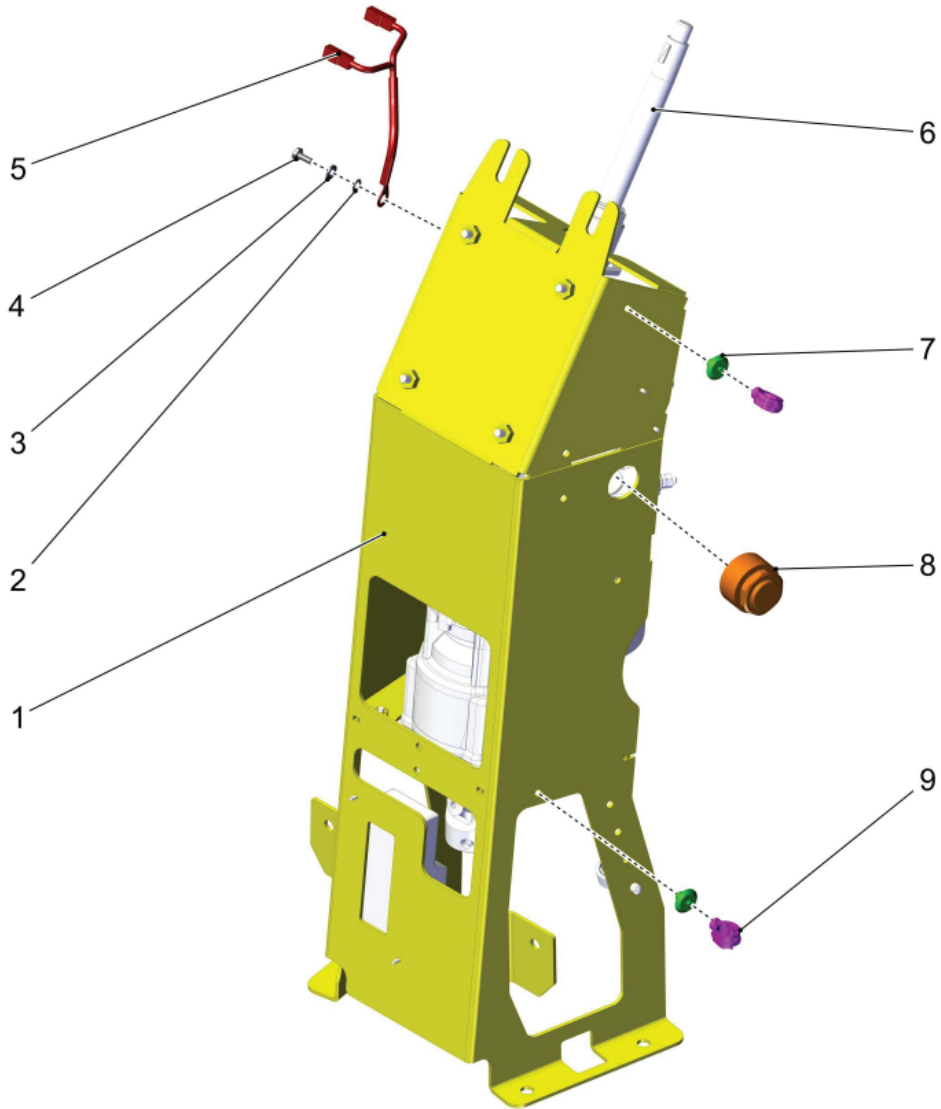
PARTS LIST - SEAT PLATE COMFORT			
ITEM	PART NO.	QTY	DESCRIPTION
1	01154830	5	CAGE NUT
2	***	1	SPARE PART ON REQUEST
3	01371260	1	MOUNTING CLIP DEUTSCH-CONNECTOR
4	01493440	3	RETAINER
5	***	1	SPARE PART ON REQUEST
6	01112160	2	SCREW
7	00557150	2	WASHER
8	00501420	1	SCREW
9	00903290	1	TUBE CLAMP
10	***	1	SPARE PART ON REQUEST
11	00071900	1	KEY
12	00028800	1	SOCKET

Side Console Complete



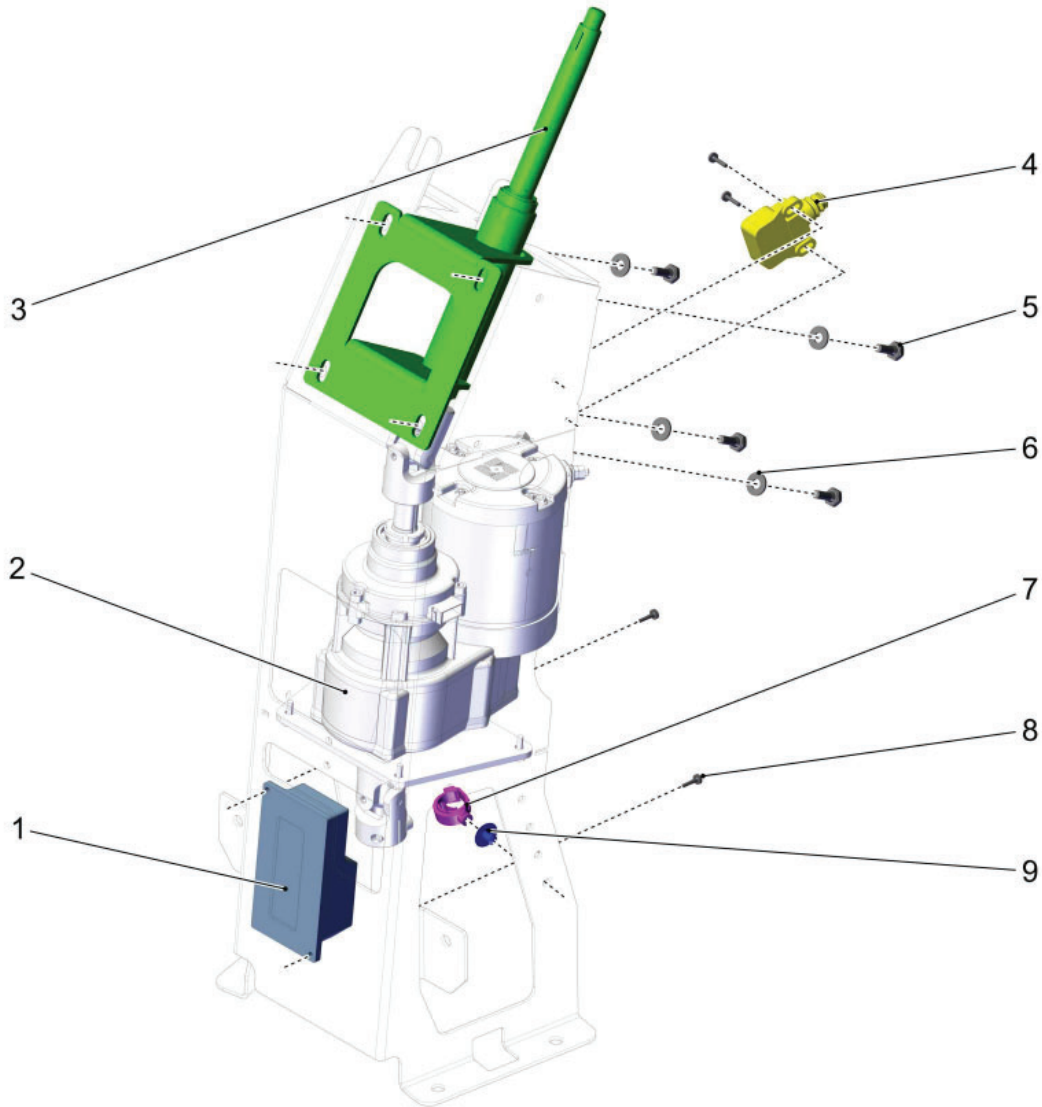
PARTS LIST - SIDE CONSOLE COMPLETE			
ITEM	PART NO.	QTY	DESCRIPTION
1	***	1	SPARE PART ON REQUEST
2	***	1	SPARE PART ON REQUEST
3	11709151	2	SCREW
4	01371470	1	USB CHARGING CONNECTION
5	01110570	4	SCREW

Steering Tower Standard



PARTS LIST - STEERING TOWER STANDARD

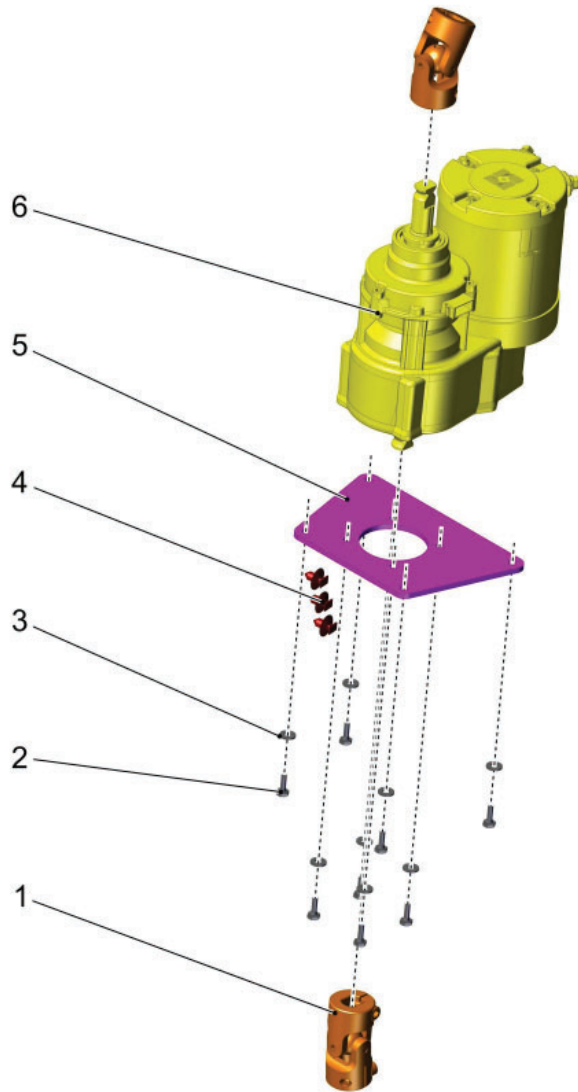
ITEM	PART NO.	QTY	DESCRIPTION
1	***	1	SPARE PART ON REQUEST
2	01072030	1	TOOTHED WASHER
3	12310033	1	WASHER
4	01171270	1	SCREW
5	03020450	1	WIRING HARNESS W29
6		1	STEERING TOWER STANDARD
7	01370240	2	MOUNTING FEET
8	00532960	1	SIGNAL TRANSMITTER
9	01370250	2	RETAINER



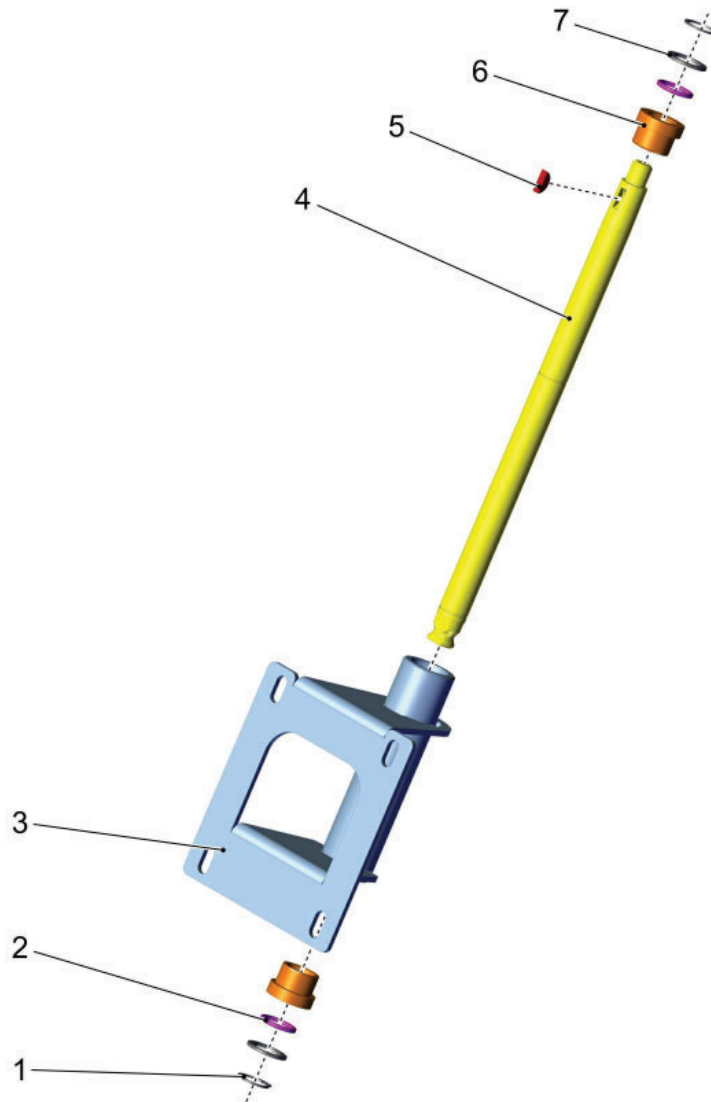
PARTS LIST - STEERING TOWER STANDARD

ITEM	PART NO.	QTY	DESCRIPTION
1	01380620	1	STEERING CONTROLLER
2	***	1	STEERING TOWER STANDARD
3	00927610	1	STANDARD STEERING
4		1	SWITCH
5	11038213	4	HEX. BOLT
6	00740080	4	WASHER
7	01476570	1	RETAINER Ø20
8	01272680	4	SCREW
9	01370240	1	MOUNTING FEET

Steering Tower Standard (continued)



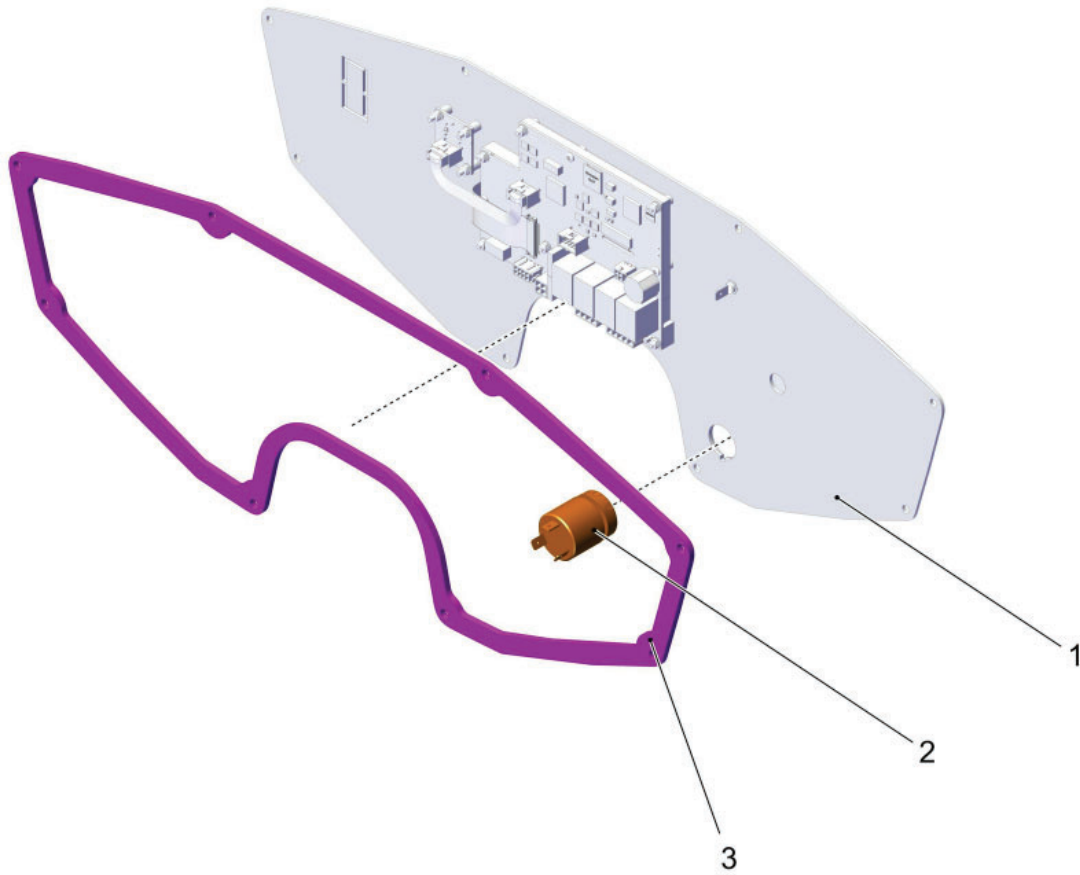
PARTS LIST - STEERING TOWER STANDARD			
ITEM	PART NO.	QTY	DESCRIPTION
1	01381880	2	UNIVERSAL JOINT
2	11038072	8	HEX BOLT
3	00730940	8	DETENT WASHER
4	01382370	3	MOUNTING CLIP FOR SUPERSEAL
5	***	1	SPARE PART ON REQUEST
6	01380530	1	STEERING DRIVE



PARTS LIST - STEERING TOWER STANDARD

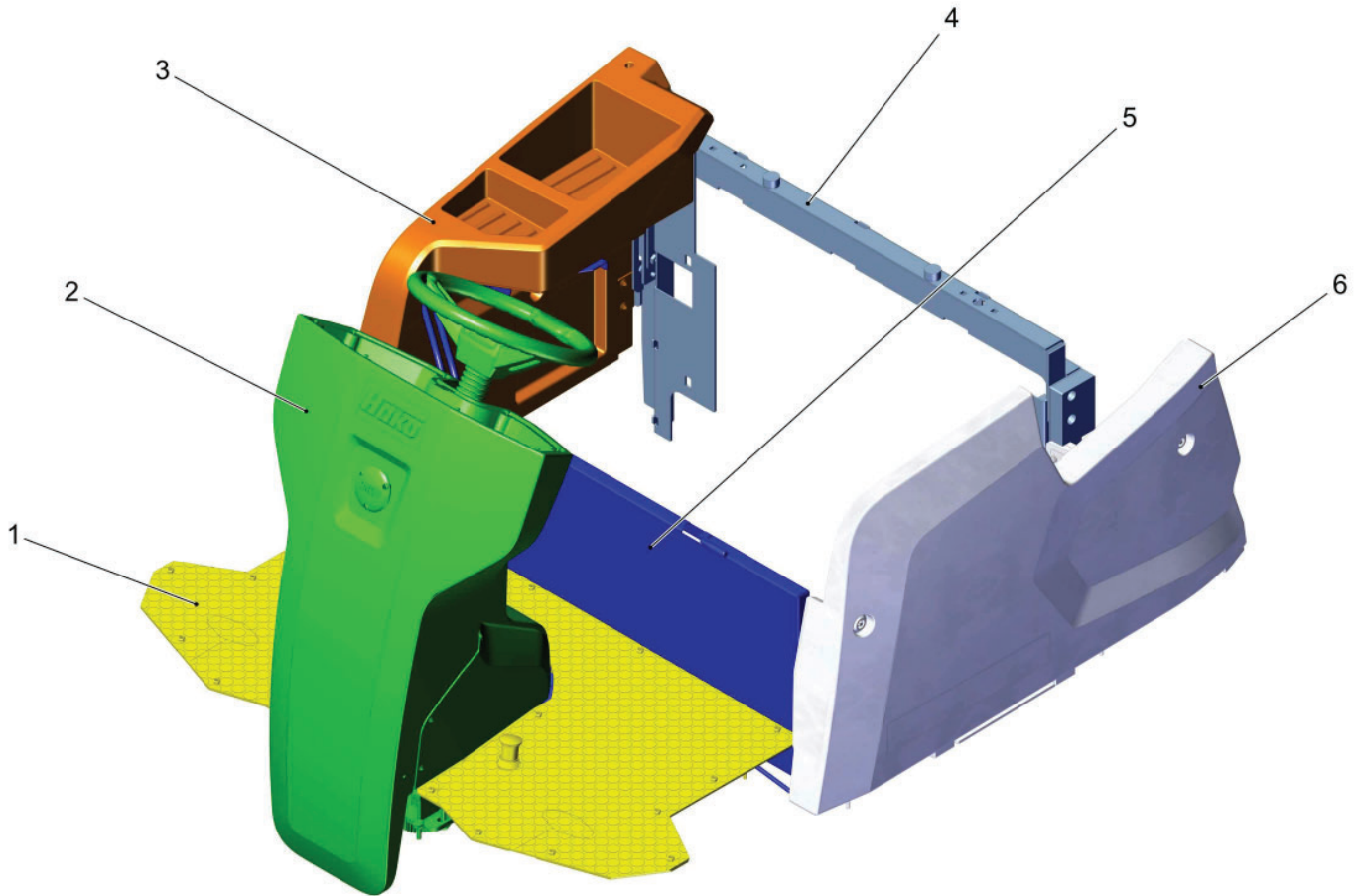
ITEM	PART NO.	QTY	DESCRIPTION
1	01370230	2	CIRCLIP
2	00554400	2	O-RING OIL RESISTANT
3	***	1	SPARE PART ON REQUEST
4	01383070	1	STEERING SHAFT
5	00701170	1	WOODRUFF KEY
6	00523630	2	BUSHING
7	00136510	2	SUPPORTING RING

Control Panel



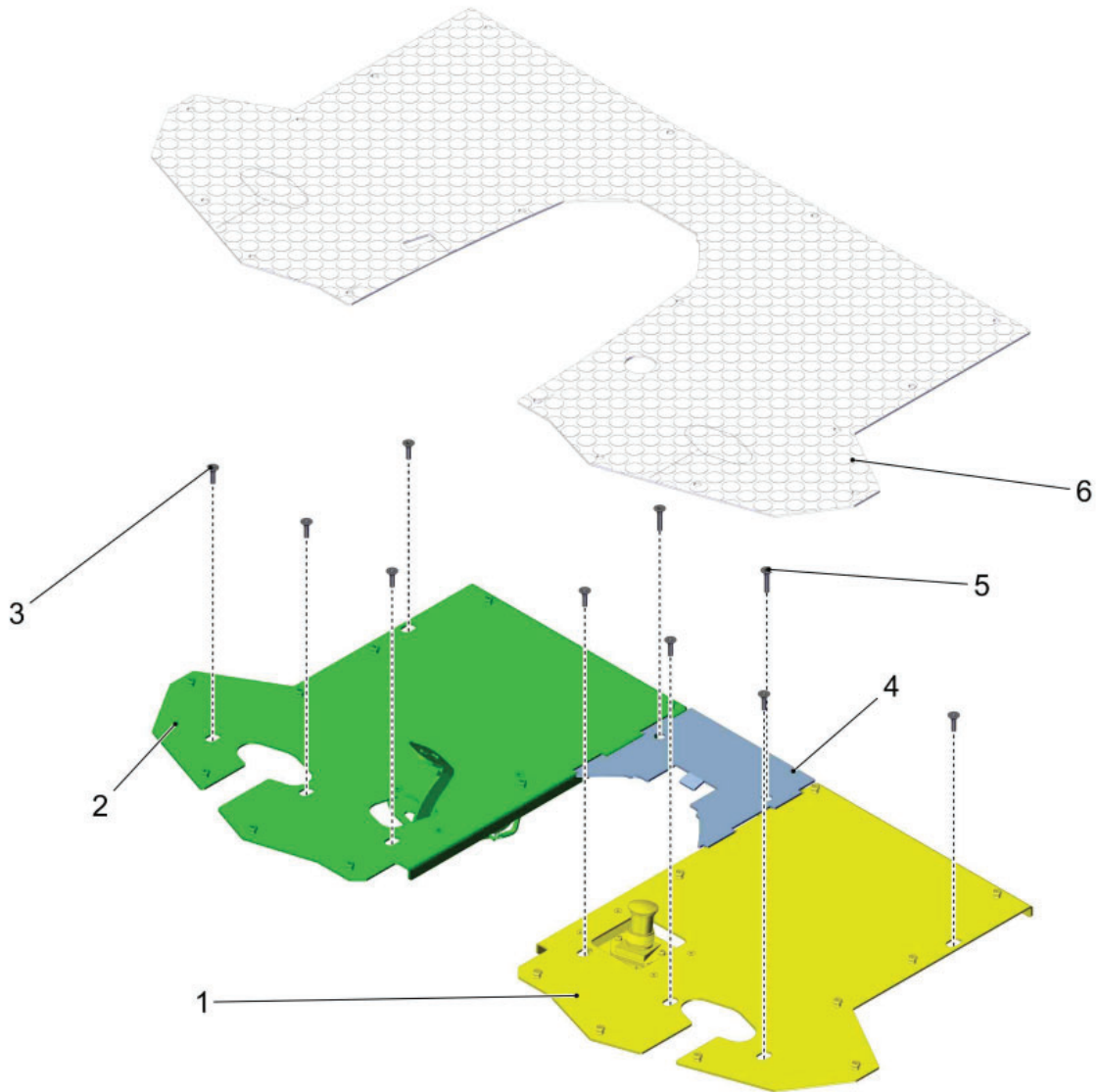
PARTS LIST - CONTROL PANEL			
ITEM	PART NO.	QTY	DESCRIPTION
1	01378780	1	CONTROL PANEL
2	90323437	1	(KEY SWITCH)
3	01380760	1	GASKET
4	00745890	1	SET (2PC.) KEY
5	01374870	1	SMART CARD

Operation Area



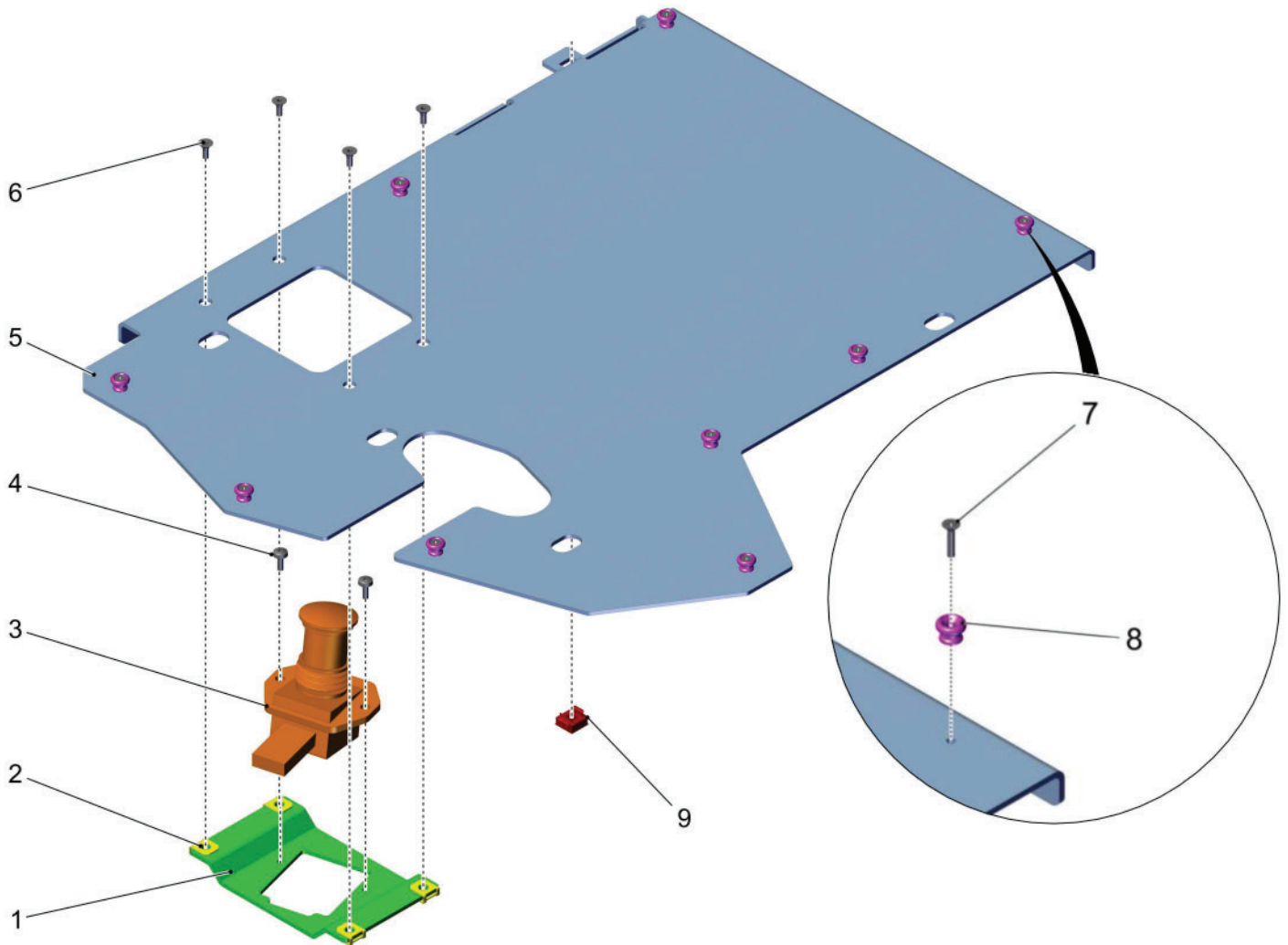
PARTS LIST -			
ITEM	PART NO.	QTY	DESCRIPTION
1	***	1	FLOOR PAN
2	***	1	STEERING COLUMN
3	***	1	R.H. SIDE DOOR
4	***	1	OPERATION AREA
5	***	1	OPERATION AREA
6	***	1	L.H. SIDE DOOR

Floor Pan



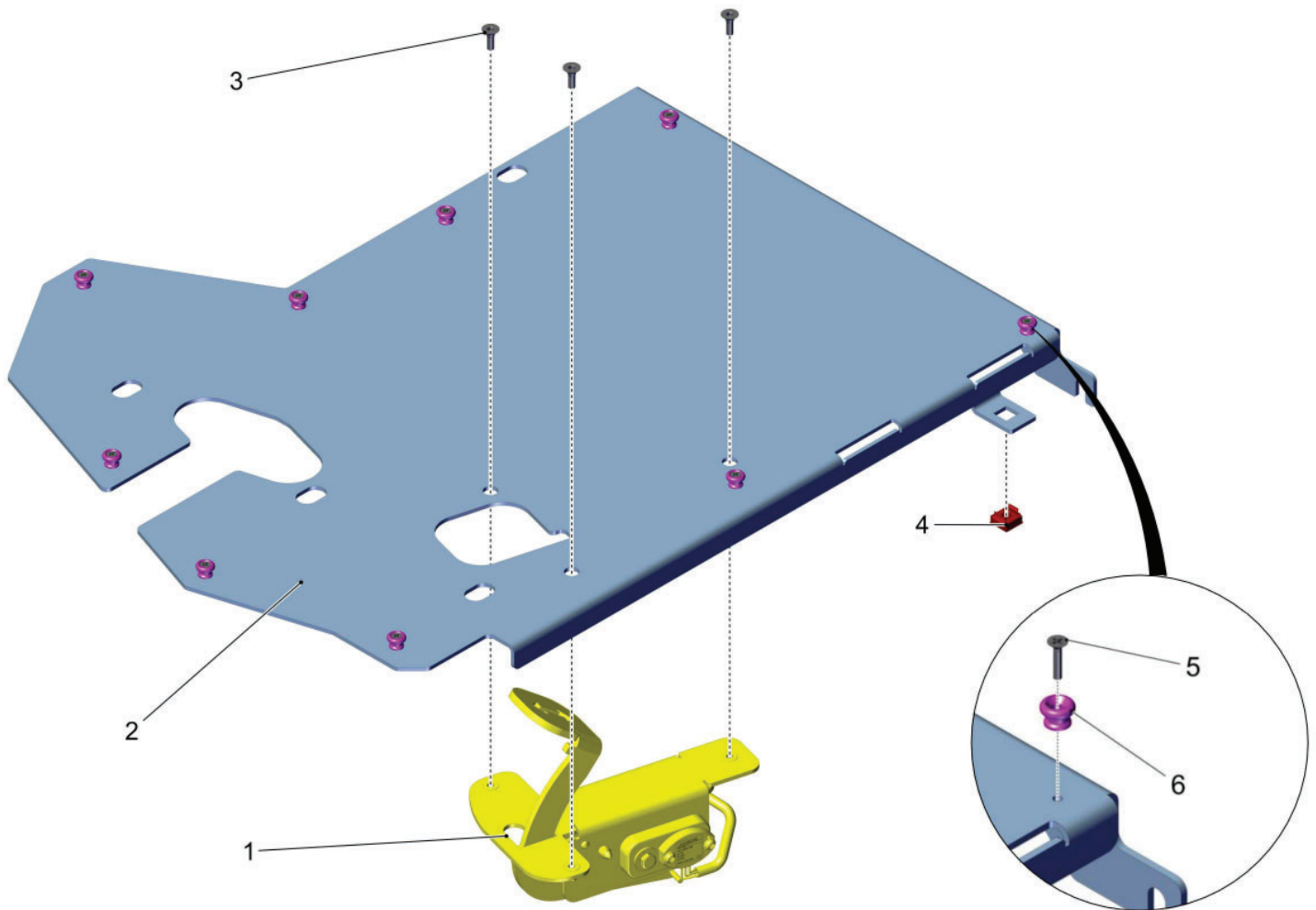
PARTS LIST - FLOOR PAN			
ITEM	PART NO.	QTY	DESCRIPTION
1	***	1	FLOOR PAN L.H.
2	***	1	FLOOR PAN R.H.
3	00101500	8	COUNTERSUNK SCREW
4	***	1	SPARE PART ON REQUEST
5	00509000	2	COUNTERSUNK SCREW
6	01380980	1	FLOOR MAT

Floor Pan L.H.



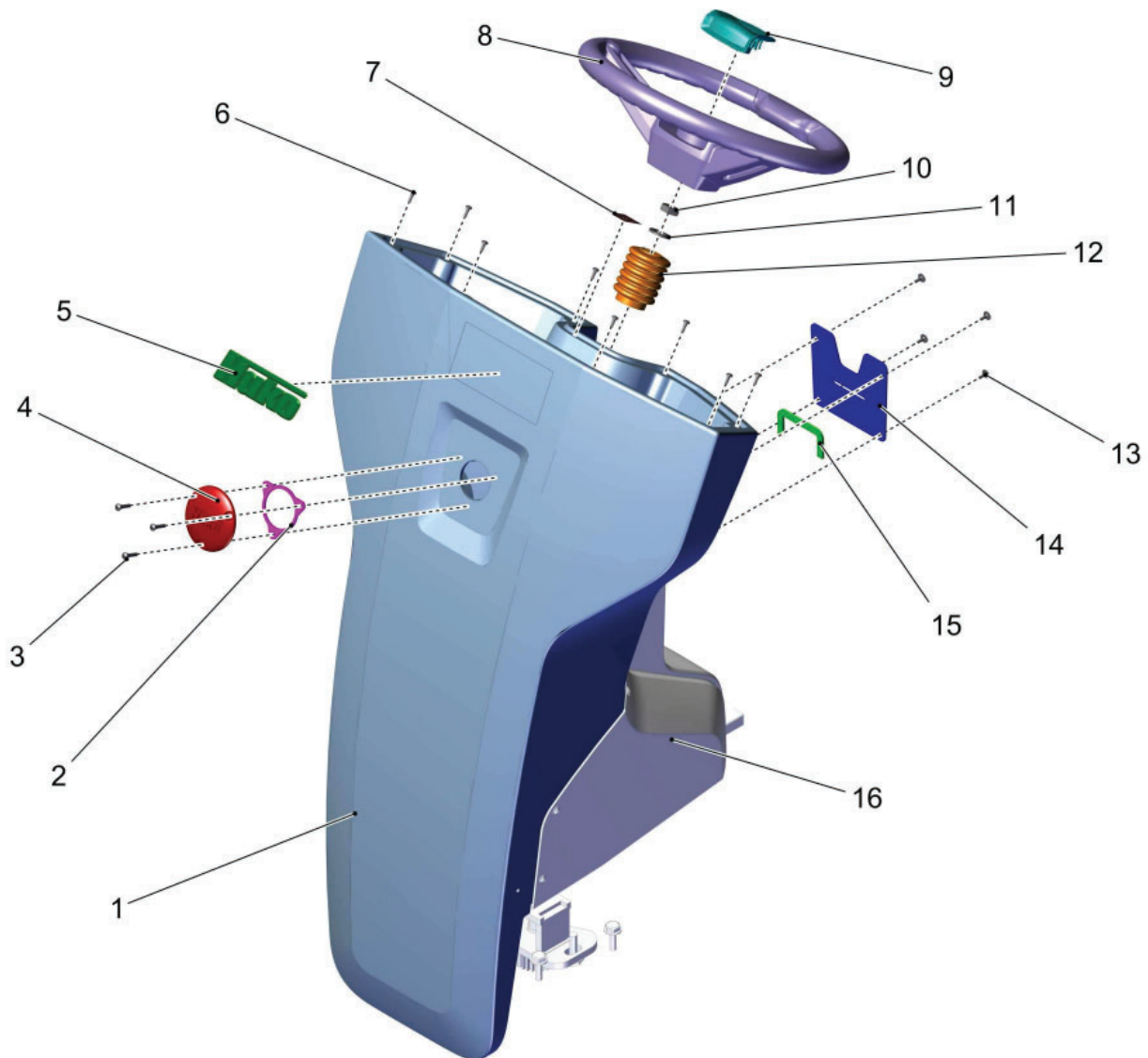
PARTS LIST - FLOOR PAN L.H.			
ITEM	PART NO.	QTY	DESCRIPTION
1	***	1	SPARE PART ON REQUEST
2	01102660	4	SNAP NUT
3	90472176	1	FOOT SWITCH
4	00959220	2	SCREW
5	***	1	SPARE PART ON REQUEST
6	01133380	4	COUNTERSUNK SCREW
7	01076700	9	SCREW
8	01073130	9	KNOB
9	01154830	1	CAGE NUT

Floor Pan R.H.



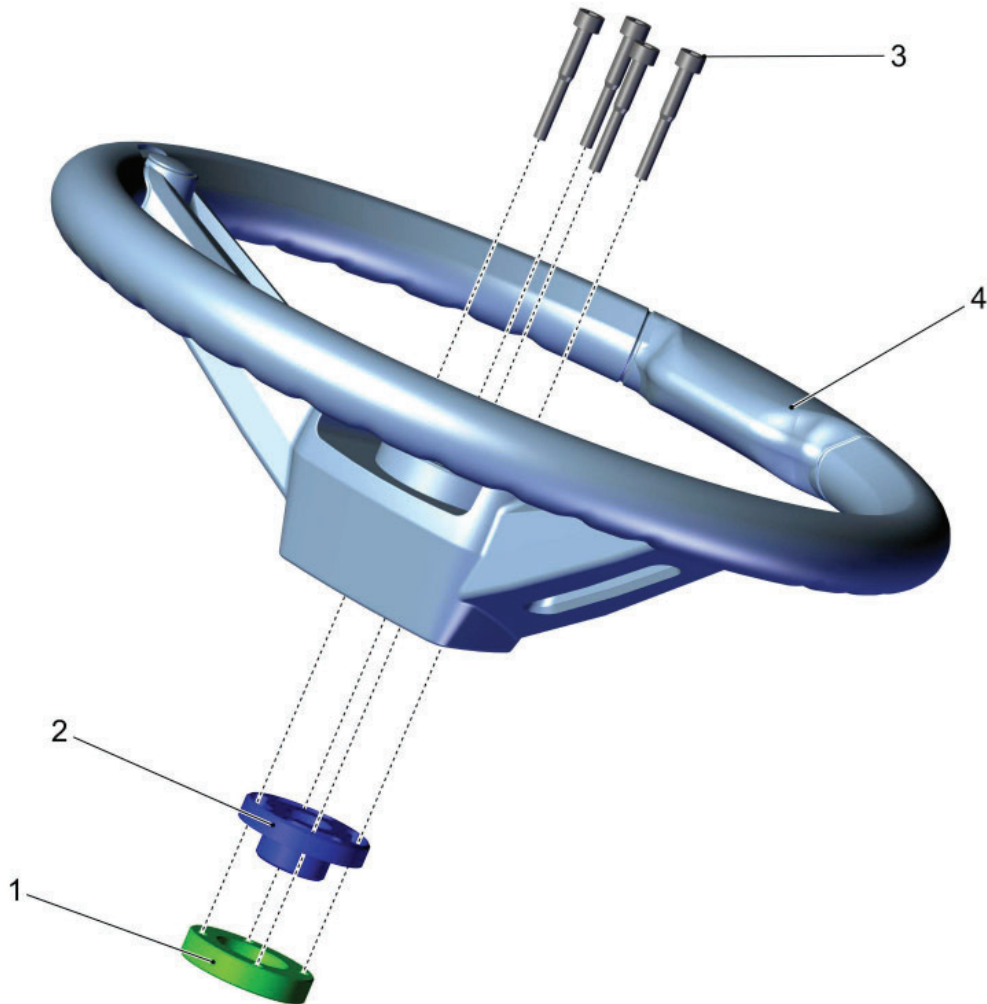
PARTS LIST - FLOOR PAN R.H.			
ITEM	PART NO.	QTY	DESCRIPTION
1	***	1	SPARE PART ON REQUEST
2	***	1	SPARE PART ON REQUEST
3	00872460	3	COUNTERSUNK SCREW
4	01154830	1	CAGE NUT
5	01076700	9	SCREW
6	01073130	9	KNOB

Steering Column



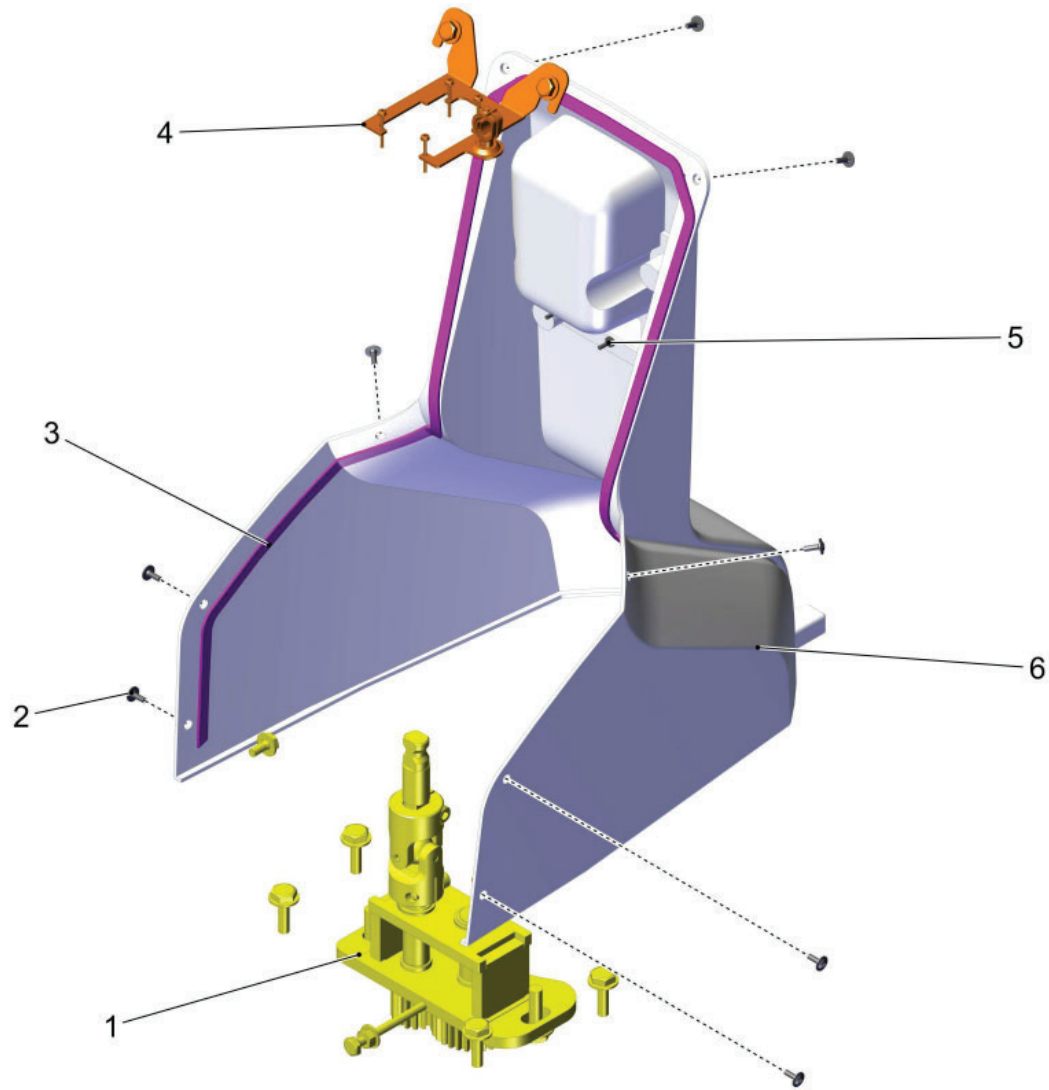
PARTS LIST - STEERING COLUMN			
ITEM	PART NO.	QTY	DESCRIPTION
1	03024630	1	STEERING COLUMN
2	01072000	1	SEAL
3	11709151	3	SCREW
4	03000280	1	CAP
5	***	1	SPARE PART ON REQUEST
6	01136860	8	COUNTERSUNK SCREW
7	03019480	1	ADHESIVE LABEL
8		1	STEERING WHEEL COMPLETE
9	01375260	1	STEERING WHEEL CAP
10	00053740	1	HEX NUT
11	00053780	1	WASHER
12	01054880	1	BELLOWS
13	01168030	4	LENS FLANGE SCREW
14	***	1	SPARE PART ON REQUEST
15	00865630	0,120	SEALING TAPE
16	***	1	OPERATION AREA

Steering Wheel Complete



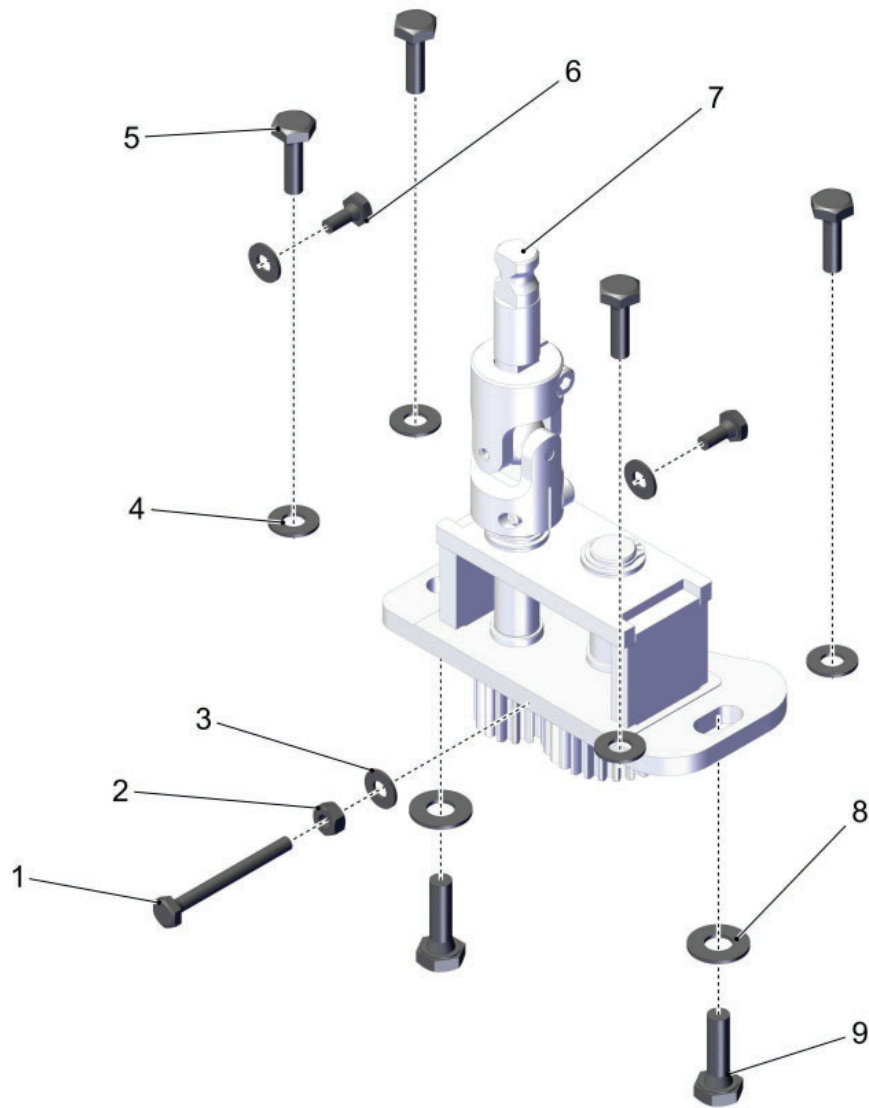
PARTS LIST - STEERING WHEEL COMPLETE			
ITEM	PART NO.	QTY	DESCRIPTION
1	01382630	1	RING
2	01382520	1	FLANGE
3	01382410	1	SOCKET HEAD SCREW
4	01371160	1	STEERING WHEEL

Operation Area



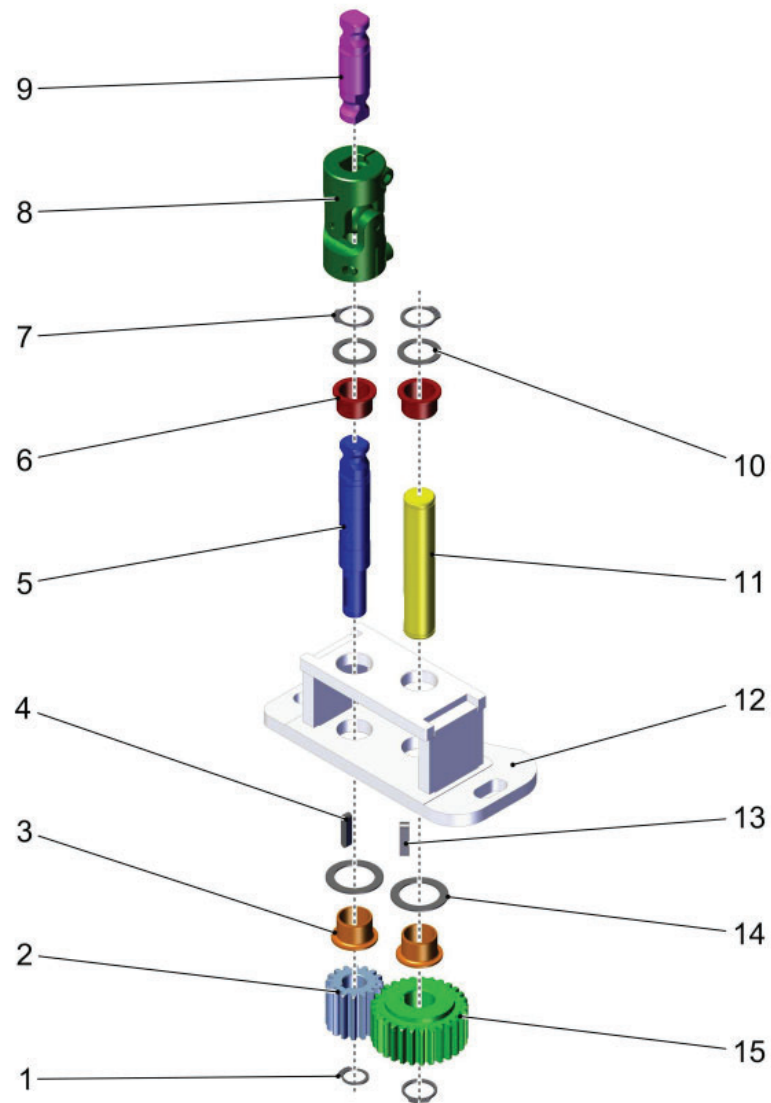
PARTS LIST - OPERATION AREA			
ITEM	PART NO.	QTY	DESCRIPTION
1	***	1	OPERATION AREA
2	01168030	8	LENS FLANGE SCREW
3	00865630	1,450	SEALING TAPE
4	***	1	OPERATION AREA
5	01112160	2	SCREW
6	***	1	SPARE PART ON REQUEST

Steering Gear



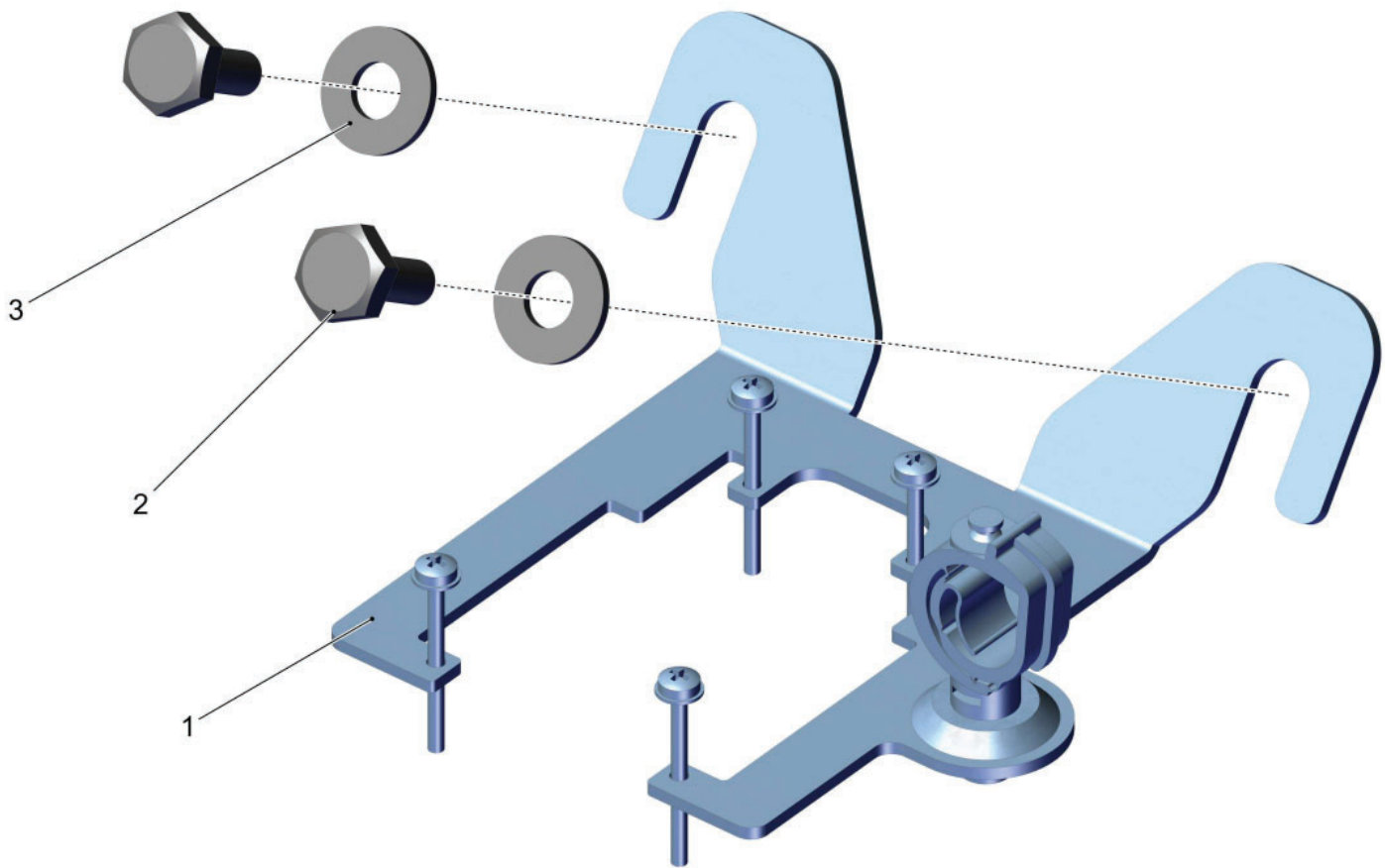
PARTS LIST - STEERING GEAR			
ITEM	PART NO.	QTY	DESCRIPTION
1	00557600	1	HEX BOLT
2	12022059	1	HEX NUT
3	00740090	3	DETENT WASHER
4	00740290	4	DETENT WASHER
5	00053160	4	HEXAGON SCREW
6	11038197	2	HEX BOLT
7	***	1	STEARING GEAR
8	00875950	2	WASHER
9	00155830	2	HEXAGON SCREW

Steering Gear

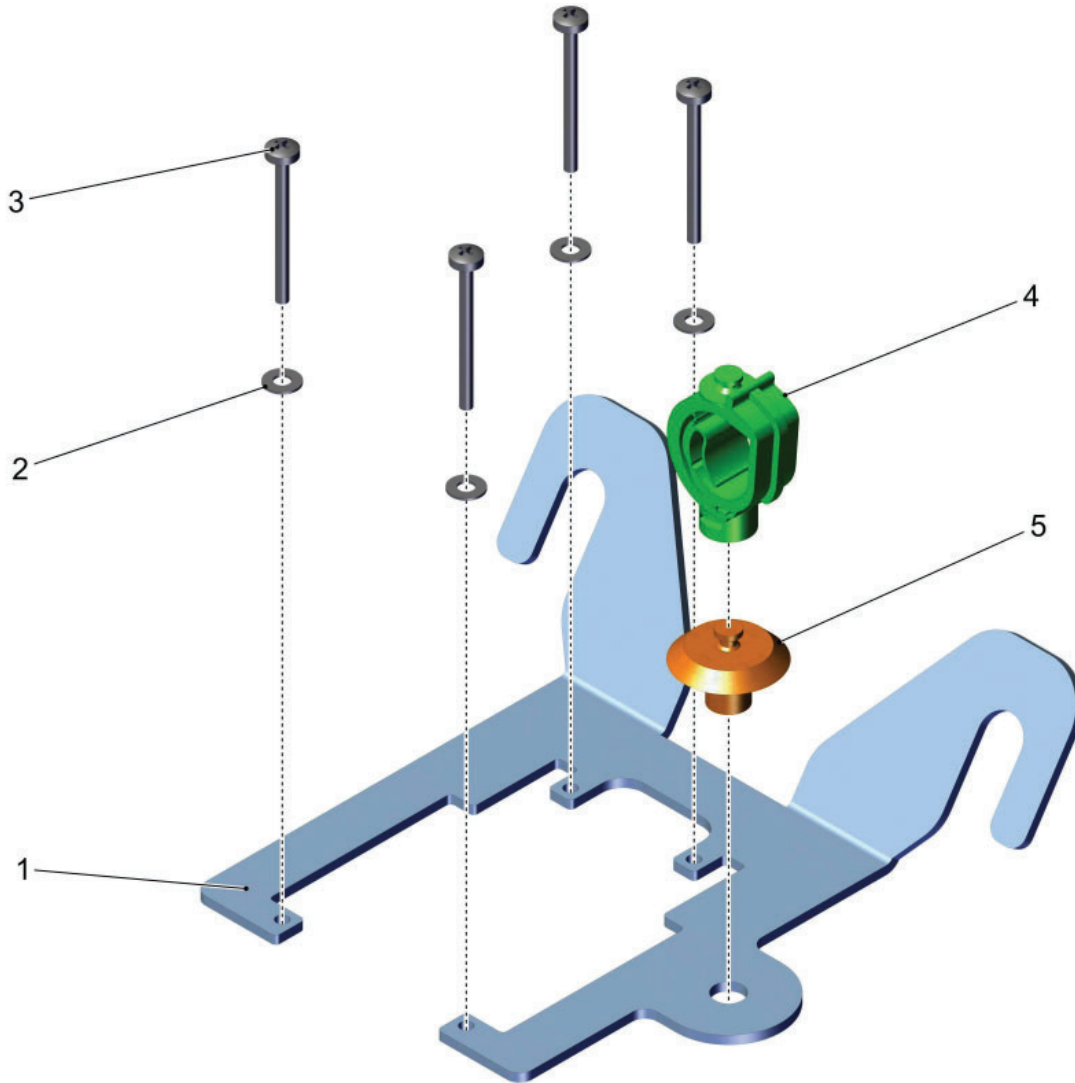


PARTS LIST - STEERING GEAR			
ITEM	PART NO.	QTY	DESCRIPTION
1	12610069	1	CIRCLIP
2	01381900	1	TOOTHED WHEEL
3	14896543	2	BUSHING
4	***	1	SPARE PART ON REQUEST
5	***	1	SPARE PART ON REQUEST
6	01273610	2	SLIDE BEARING BUSH
7	01370230	3	CIRCLIP
8	01381880	1	UNIVERSAL JOINT
9	***	1	SPARE PART ON REQUEST
10	00153700	2	ADJUSTING WASHER
11	01382220	1	STEERING GEAR AXLE
12	01383090	1	STEERING GEAR CASE
13	00153010	1	FEATHER KEY
14	00527510	2	WASHER
15	01381870	1	TOOTHED WHEEL

Retainer

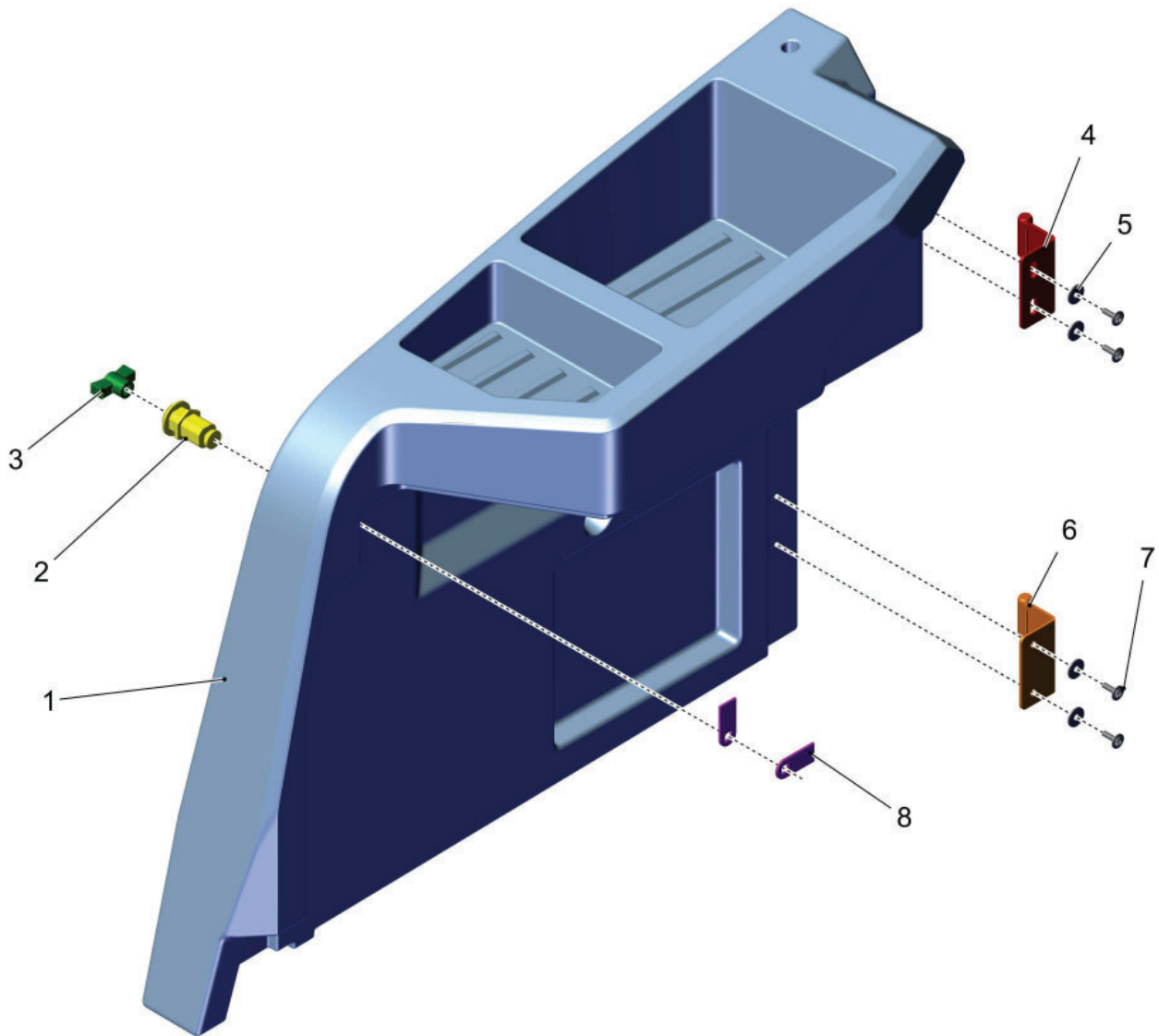


PARTS LIST - RETAINER			
ITEM	PART NO.	QTY	DESCRIPTION
1	***	1	RETAINER
2	11038197	2	HEX BOLT
3	00740090	2	DETENT WASHER



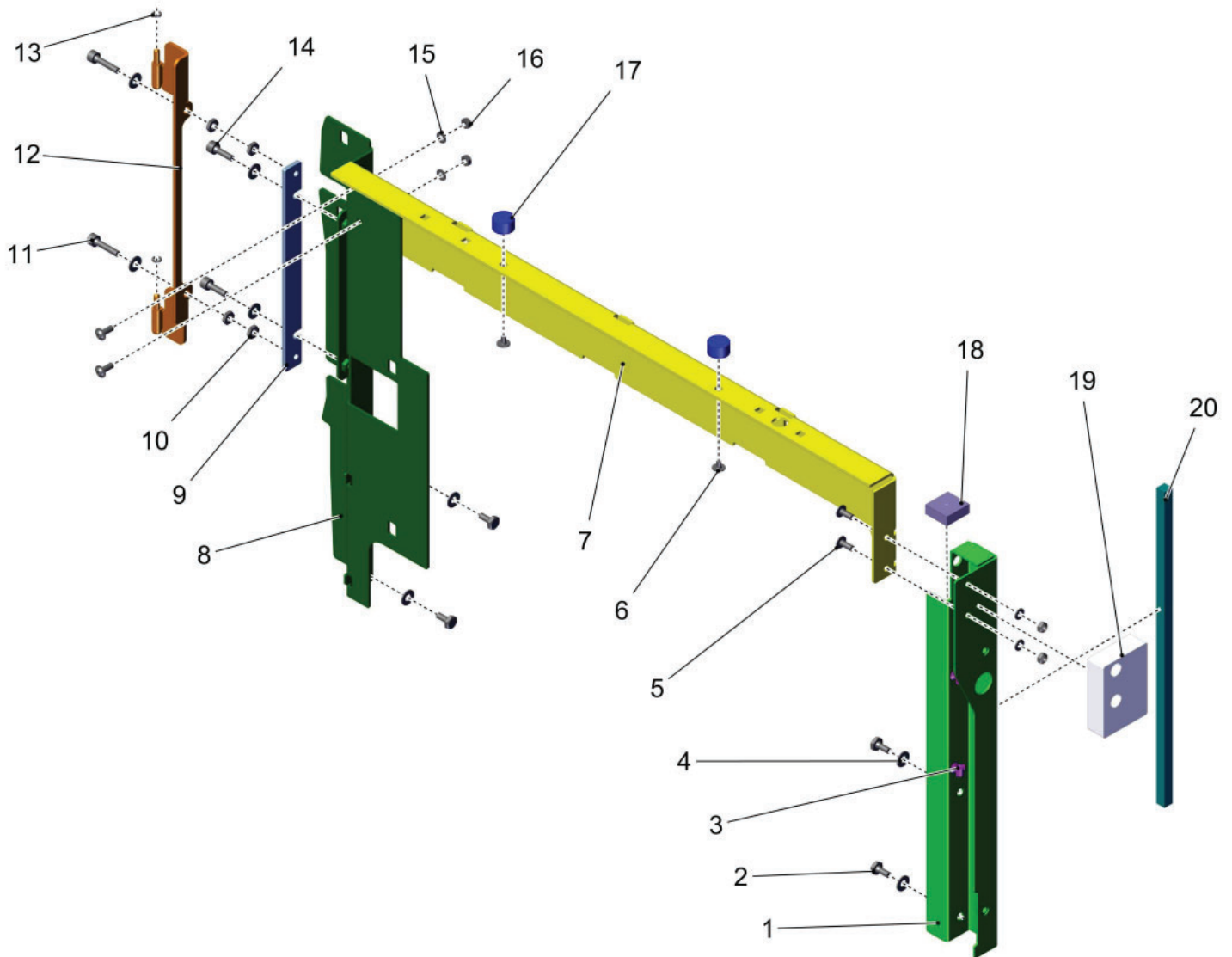
PARTS LIST - RETAINER			
ITEM	PART NO.	QTY	DESCRIPTION
1	***	1	SPARE PART ON REQUEST
2	12310132	4	WASHER
3	01110770	4	SCREW
4	01370250	1	RETAINER
5	01370240	1	MOUNTING FEET

R.H. Side Door



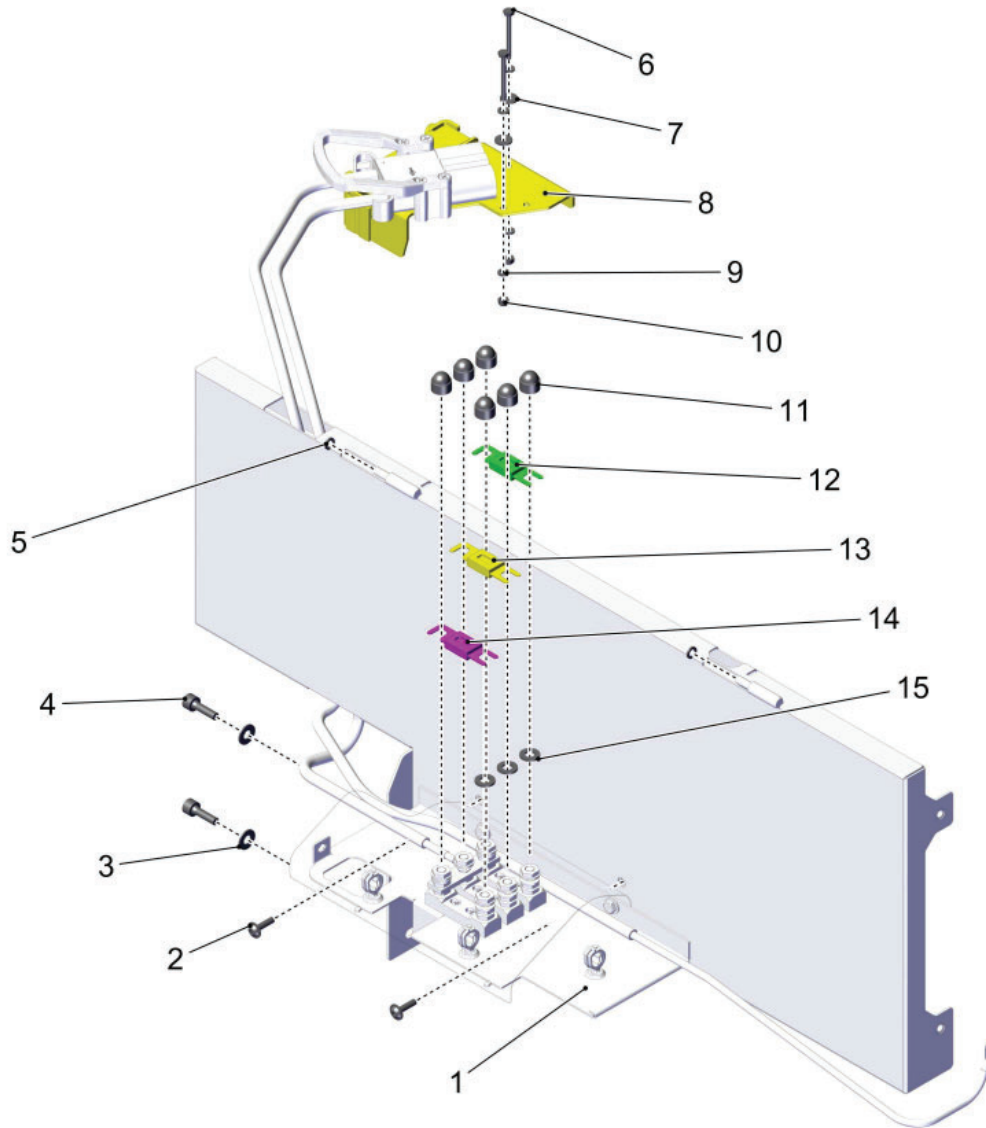
PARTS LIST - R.H. SIDE DOOR			
ITEM	PART NO.	QTY	DESCRIPTION
1	***	2	SPARE PART ON REQUEST
2	01055800	1	HOUSING
3	01055790	1	TOGGLE
4	***	1	SPARE PART ON REQUEST
5	01160920	4	DETENT EDGED WASHER
6	***	1	SPARE PART ON REQUEST
7	01015340	4	LENS FLANGE SCREW
8	01055810	2	DOOR LOCK

Operation Area



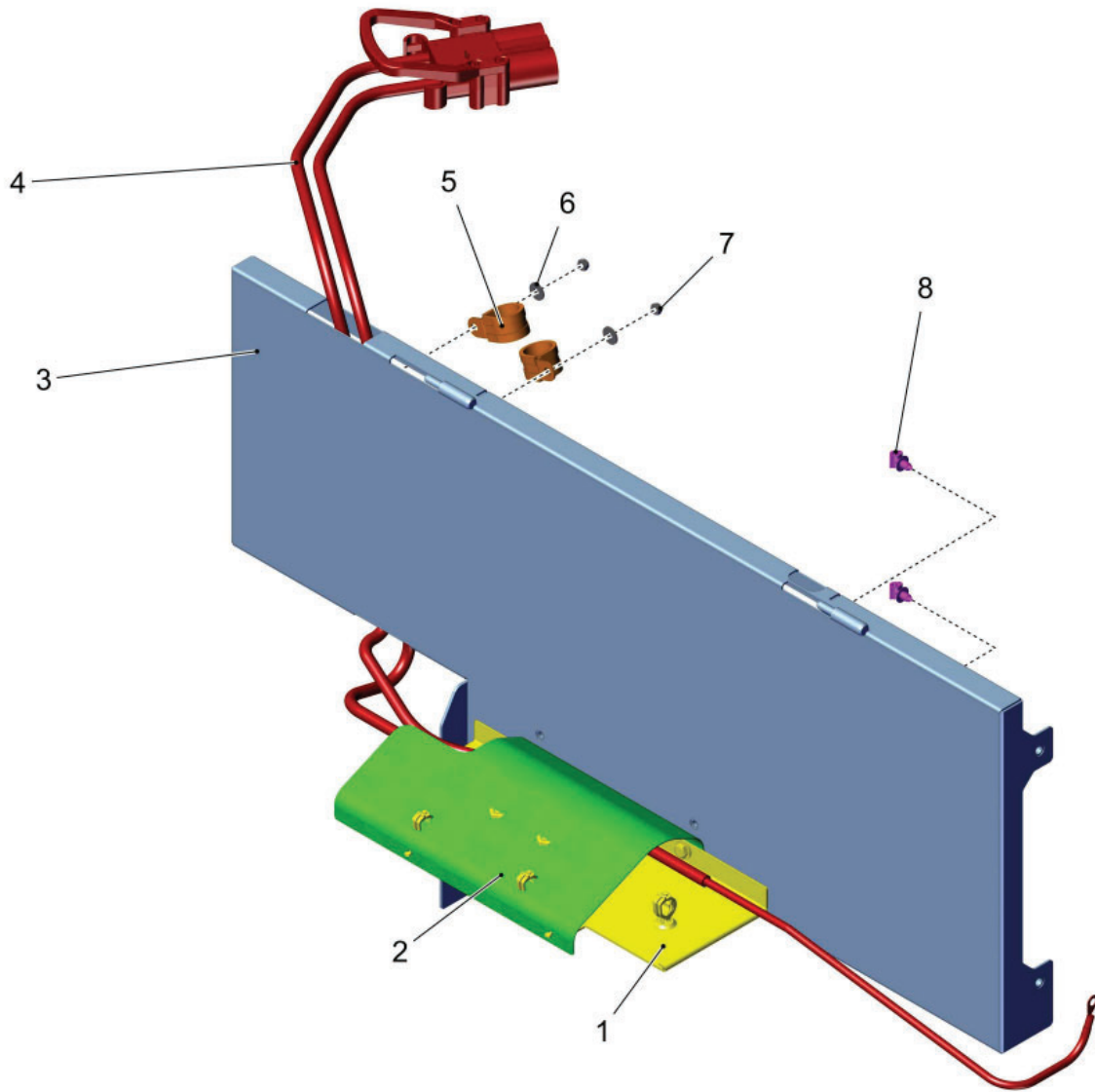
PARTS LIST - OPERATION AREA			
ITEM	PART NO.	QTY	DESCRIPTION
1	***	1	SPARE PART ON REQUEST
2	11038353	4	HEX BOLT
3	01493500	2	RETAINER
4	00740290	8	DETENT WASHER
5	11177136	4	LENS FLANGE SCREW
6	01222590	2	LENS FLANGE SCREW
7	***	1	SPARE PART ON REQUEST
8	***	1	SPARE PART ON REQUEST
9	***	1	SPARE PART ON REQUEST
10	00074710	4	HEX NUT
11	00045010	2	CYLINDER HEAD SCREW
12	***	1	SPARE PART ON REQUEST
13	***	2	SPARE PART ON REQUEST
14	00125430	2	SOCKET HEAD CAP SCREW
15	12310041	4	WASHER
16	12040051	4	HEX. NUT
17	00733560	2	RUBBER-METAL BUFFER
18	01110850	0,042	SEALING BAND
19	***	1	SPARE PART ON REQUEST
20	01130200	0,508	SEALING BAND

Operation Area



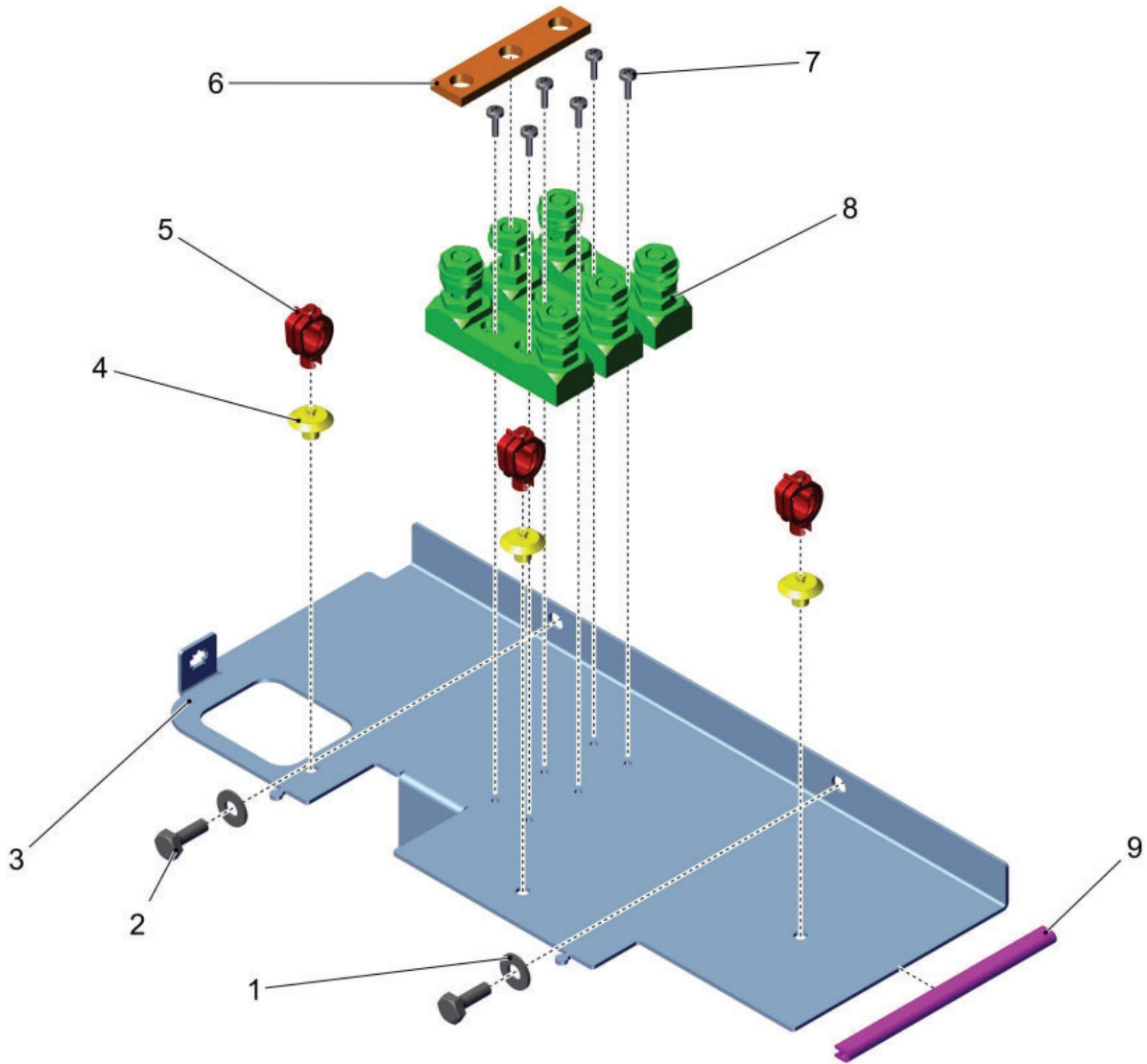
PARTS LIST - OPERATION AREA			
ITEM	PART NO.	QTY	DESCRIPTION
1	***	1	FACE WALL
2	01092910	2	LENS FLANGE SCREW
3	00740290	2	DETENT WASHER
4	00125430	2	SOCKET HEAD CAP SCREW
5	***	2	SPARE PART ON REQUEST
6	01473900	2	HEXAGON SCREW
7	12332011	2	WASHER
8	***	1	SPARE PART ON REQUEST
9	12310033	4	WASHER
10	12040044	2	HEX NUT
11	15592041	6	LENS CAP
12	19731372	1	FUSE LINK
13	00059580	1	FUSE, STRIP 125AMP 80VOLT- MAIN
14	00059580	1	FUSE, STRIP 125AMP 80VOLT- MAIN
15	12310298	3	WASHER

Face Wall



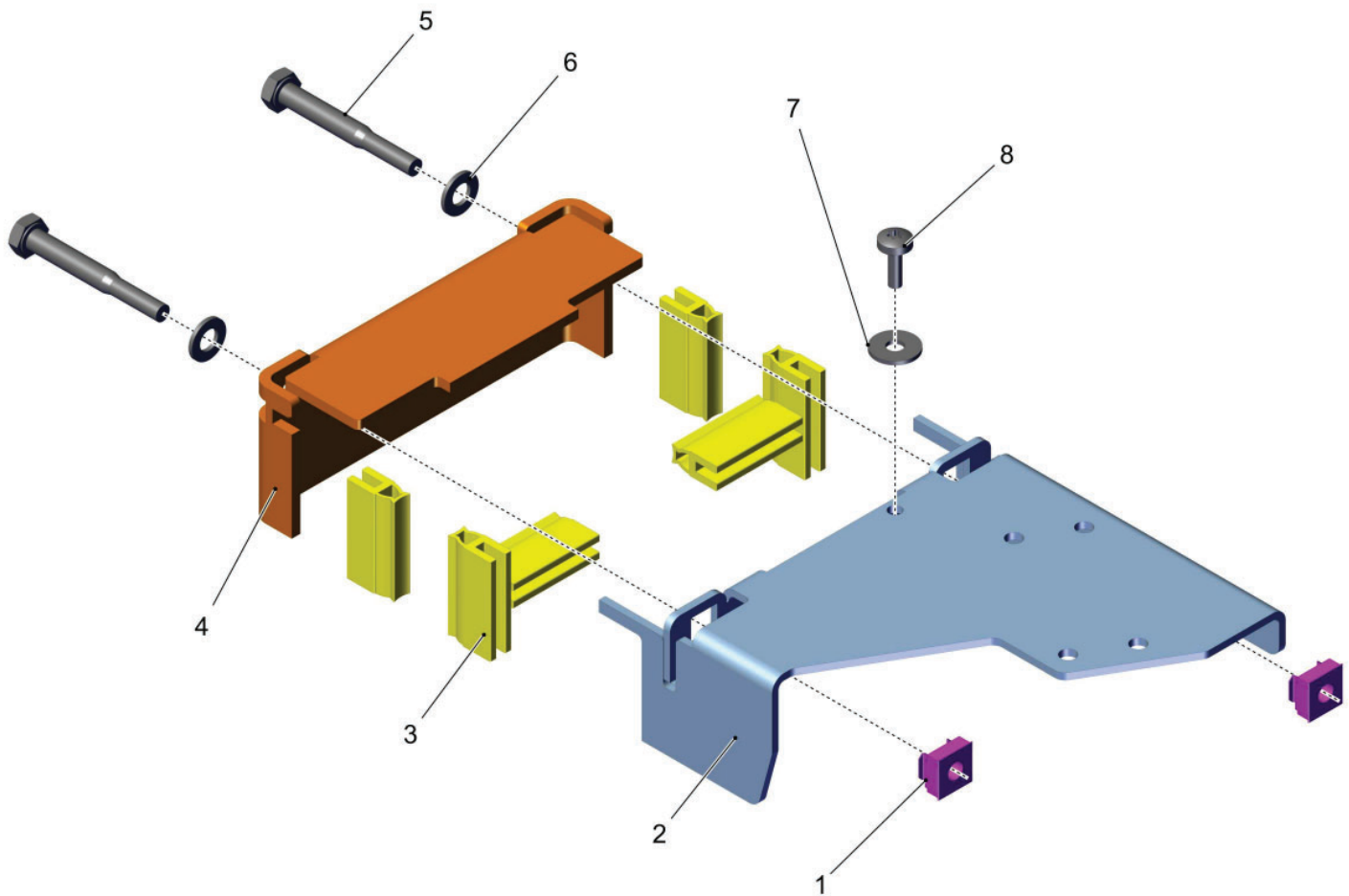
PARTS LIST - FACE WALL			
ITEM	PART NO.	QTY	DESCRIPTION
1	***	1	FACE WALL
2	01382060	1	COVERING
3	***	1	SPARE PART ON REQUEST
4	03023530	1	WIRING HARNESS W1
5	00970200	2	TUBE CLAMP
6	12332011	2	WASHER
7	12040044	2	HEX NUT
8	01493440	2	RETAINER

Face Wall



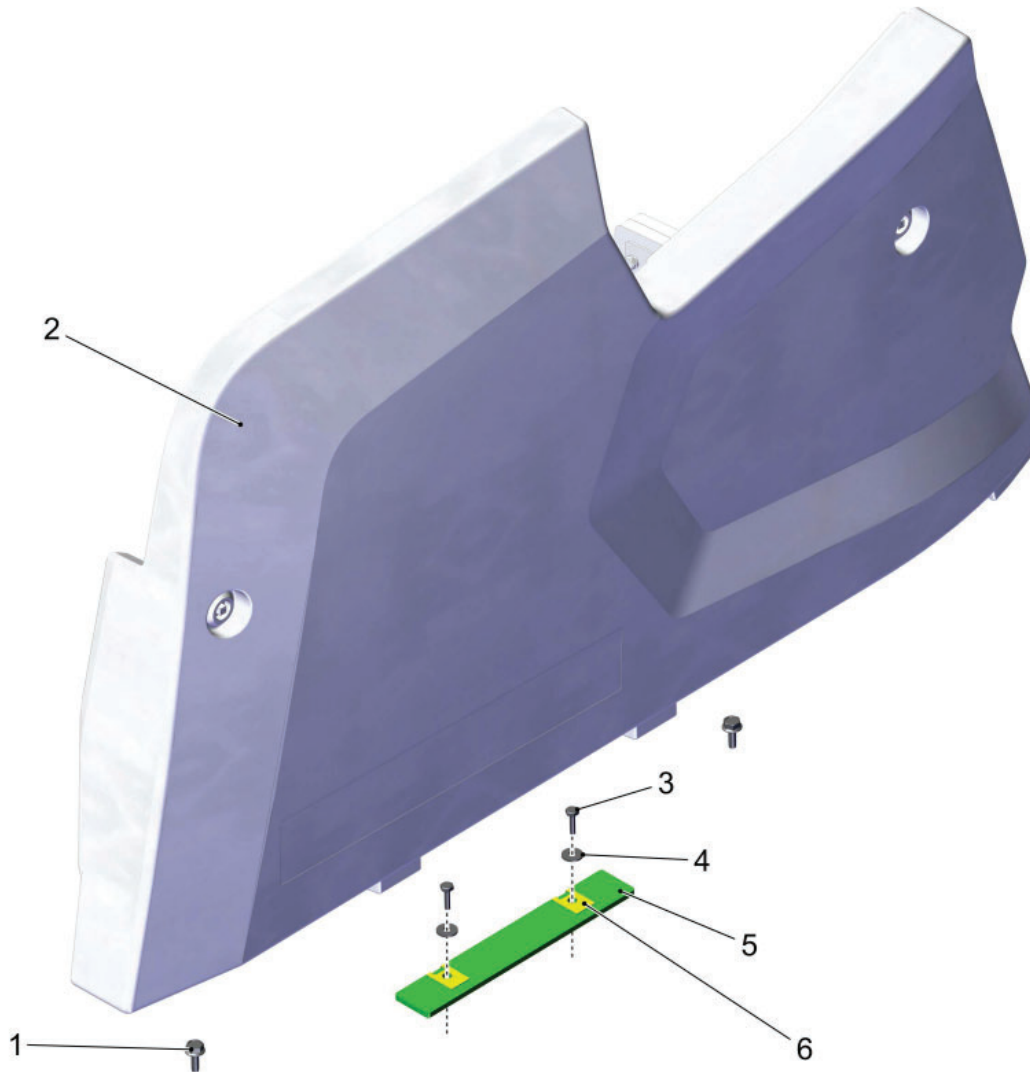
PARTS LIST - FACE WALL			
ITEM	PART NO.	QTY	DESCRIPTION
1	00740090	2	DETENT WASHER
2	11038213	2	HEX. BOLT
3	***	1	SPARE PART ON REQUEST
4	01370240	3	MOUNTING FEET
5	01370250	3	RETAINER
6	***	1	SPARE PART ON REQUEST
7	00501420	6	SCREW
8	00121440	3	FUSE HOLDER, MAIN FUSE
9	25583022	0,135	EDGE PROTECTION

Battery Connector Stuck

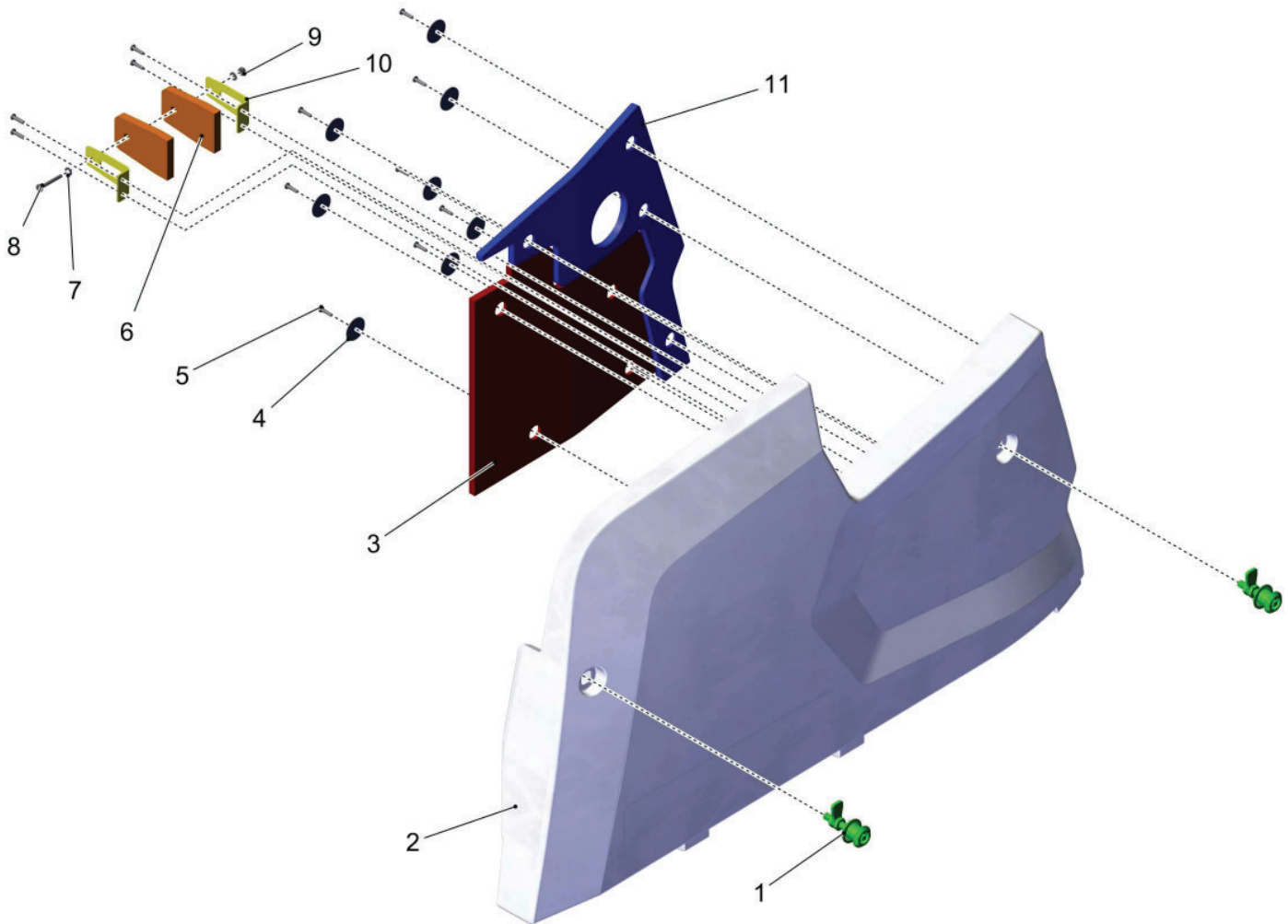


PARTS LIST - BATTERY CONNECTOR STUCK			
ITEM	PART NO.	QTY	DESCRIPTION
1	01154830	2	CAGE NUT
2	***	1	SPARE PART ON REQUEST
3	01132640	0,040	EDGE PROTECTION
4	***	1	SPARE PART ON REQUEST
5	00074260	2	HEX.BOLT
6	12310041	2	WASHER
7	12332011	1	WASHER
8	00539730	1	SCREW

L.H. Side Door



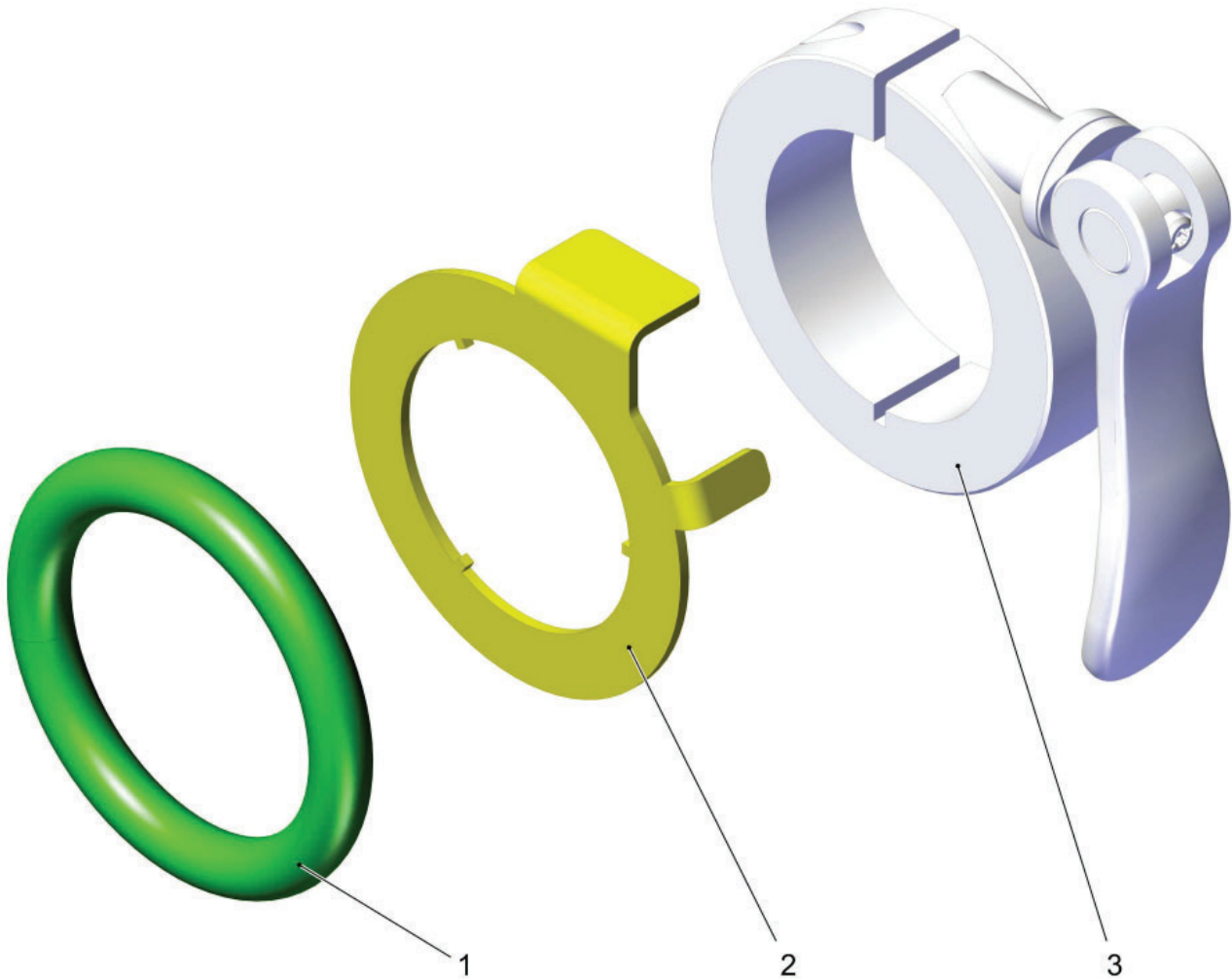
PARTS LIST - L.H. SIDE DOOR			
ITEM	PART NO.	QTY	DESCRIPTION
1	00109720	2	SCREW
2	***	1	SIDE PANEL
3	11038098	2	HEX. BOLT
4	12332011	2	WASHER
5	***	1	SPARE PART ON REQUEST
6	01090620	2	SNAP NUT



PARTS LIST - SIDE DOOR - L.H. SIDE DOOR

ITEM	PART NO.	QTY	DESCRIPTION
1	01380030	2	LATCH LOCK
2	***	1	SPARE PART ON REQUEST
3	***	1	SPARE PART ON REQUEST
4	***	8	SPARE PART ON REQUEST
5	11709151	12	SCREW
6	***	2	SPARE PART ON REQUEST

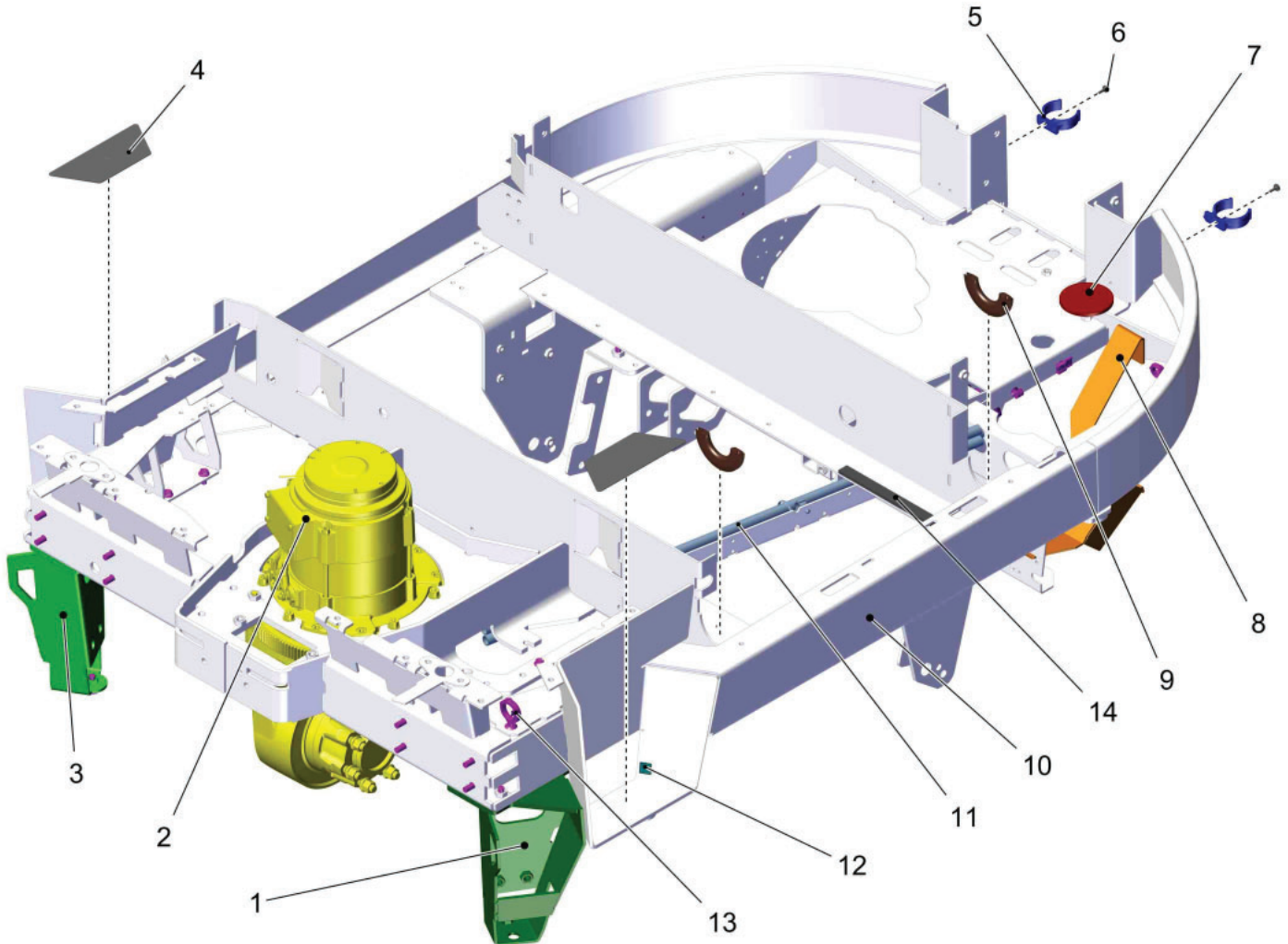
Telescopic Lock



PARTS LIST - TELESCOPIC LOCK			
ITEM	PART NO.	QTY	DESCRIPTION
1	00154060	0,152	FOAM RUBBER
2	01383030	1	LOCK WASHER
3	01383020	1	CLAMPING RING

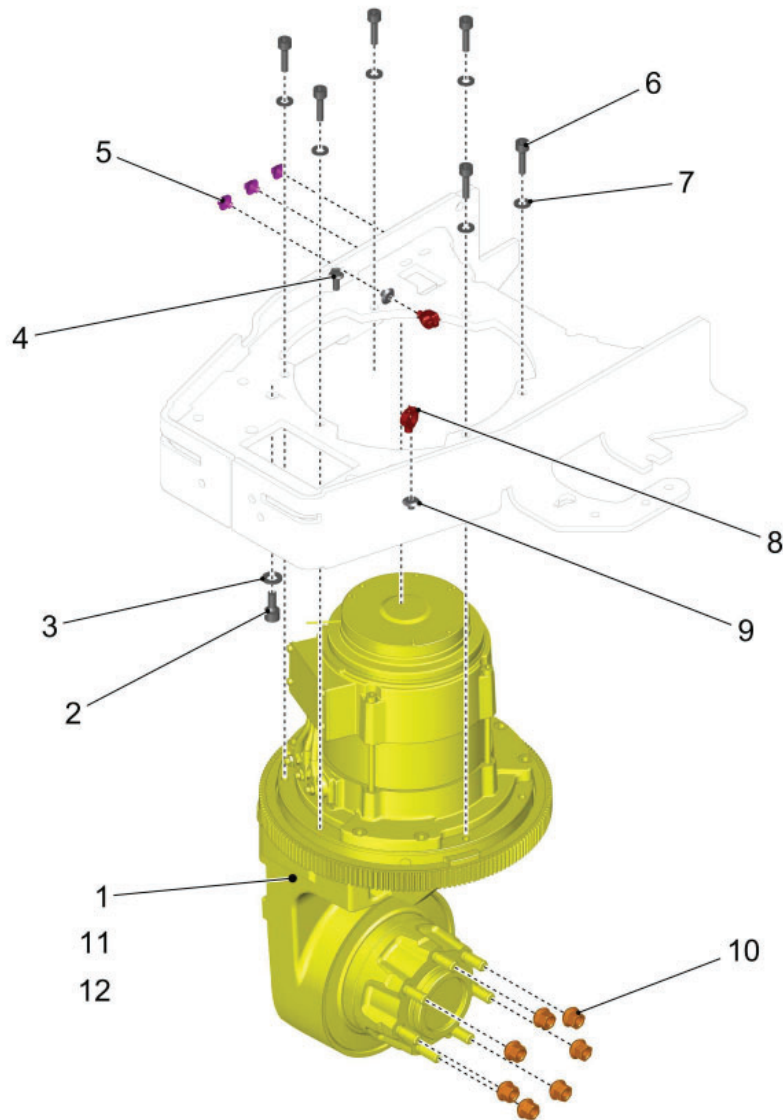
Chassis (97145338)

Chassis



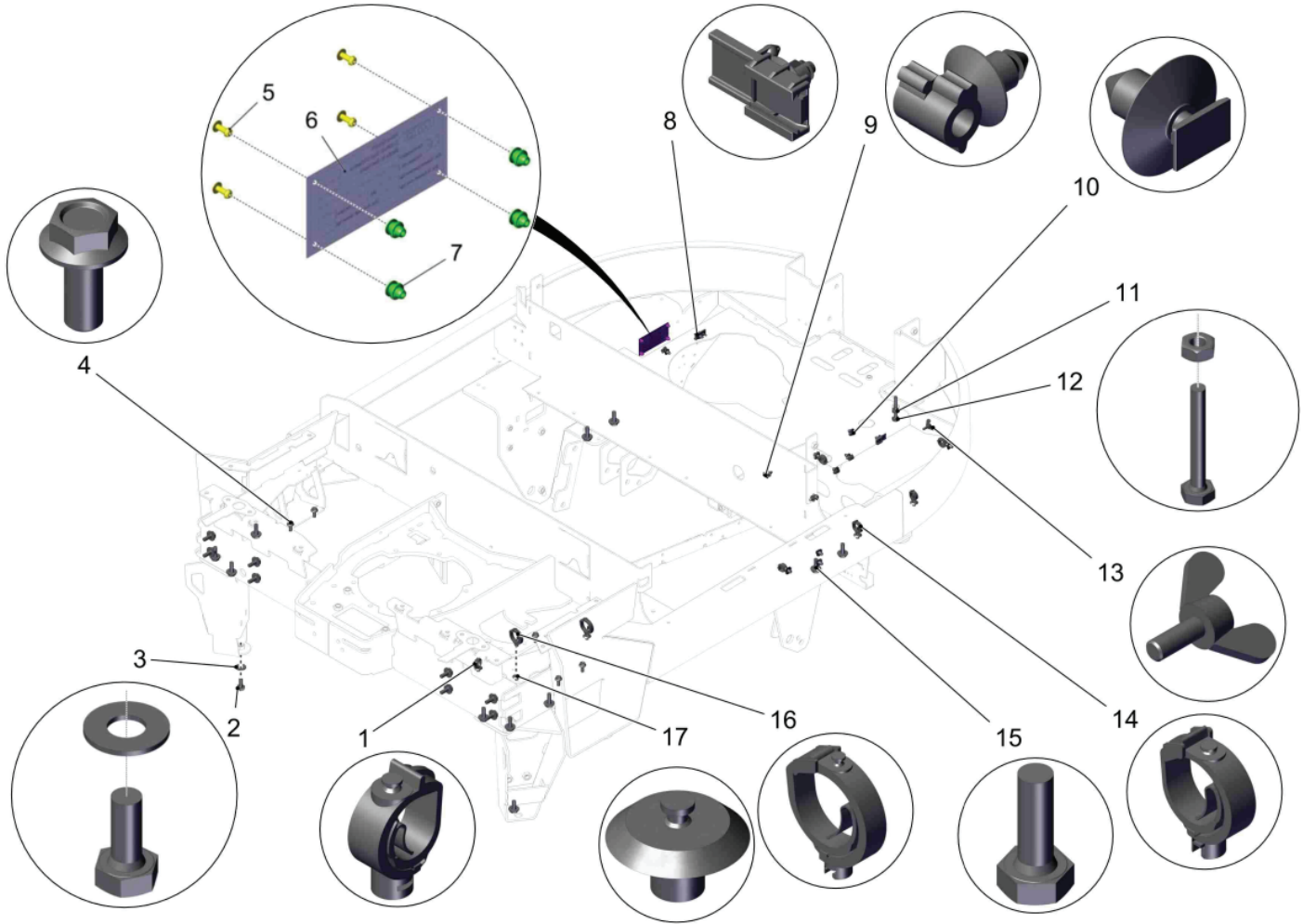
PARTS LIST - CHASSIS			
ITEM	PART NO.	QTY	DESCRIPTION
1	01382430	1	STAY LEFT, COMPLETE
2	***	1	CHASSIS
3	01382510	1	STAY RIGHT, COMPLETE
4	***	2	SPARE PART ON REQUEST
5	01375310	2	CLIP
6	00539730	2	SCREW
7	00974220	1	WASHER
8	***	1	SPARE PART ON REQUEST
9	01052820	2	EDGE PROTECTION (EACH = METER)
10	***	1	SPARE PART ON REQUEST
11	***	1	CHASSIS
12	01477620	4	DECAL LIFTING JACK
13	***	1	CHASSIS
14	01031000	0,215	SEALING TAPE
15	01380370	2	FRONT WHEEL, NON-SKID (NOT SHOWN)

Traction Drive A/C



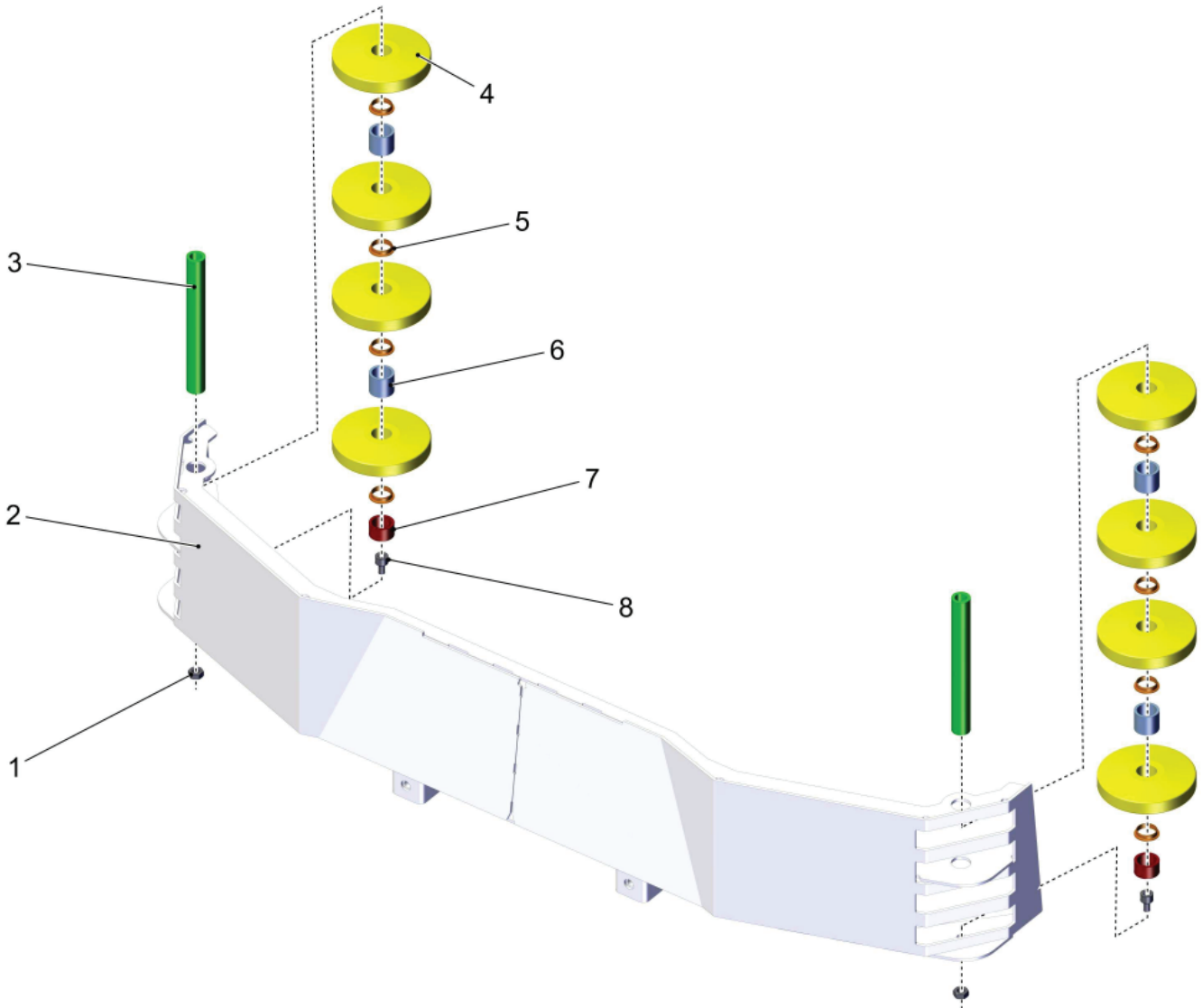
PARTS LIST - TRACTION DRIVE A/C			
ITEM	PART NO.	QTY	DESCRIPTION
1	01380060	1	TRACTION DRIVE A/C
2	11126489	1	SCREW
3	12310066	1	WASHER
4	11717203	1	HEXAGON SCREW
5	01382370	3	MOUNTING CLIP FOR SUPERSEAL
6	01477450	6	SOCKET HEAD SCREW
7	00870090	6	DETENT WASHER
8	01370250	2	RETAINER
9	01370240	2	MOUNTING FEET
10	01493280	7	SPHERICAL UNION NUT
11	01382380	1	GEAR UNIT- DRIVE WHEEL
12	01382420	1	MOTOR UNIT AC 36V 4, 8KW

Chassis Hardware



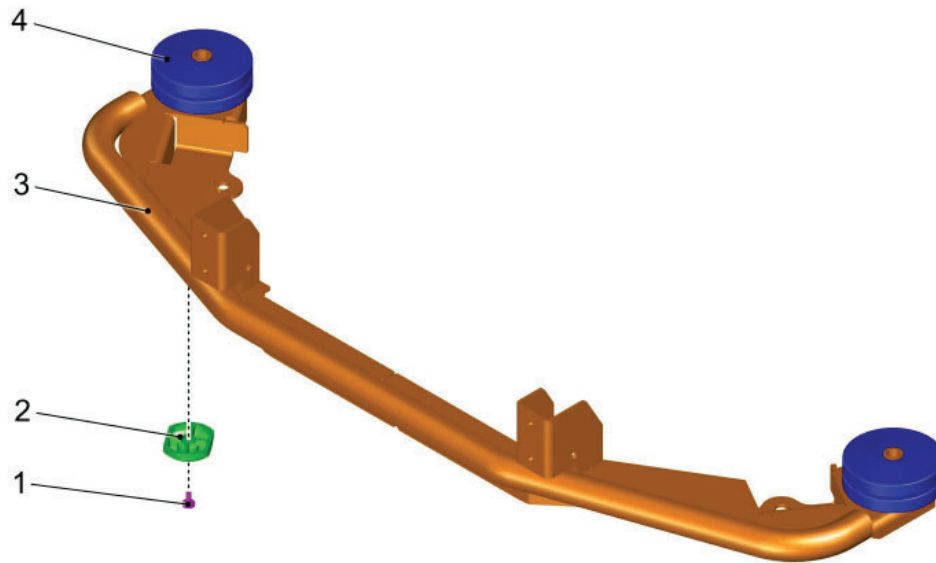
PARTS LIST - CHASSIS HARDWARE			
ITEM	PART NO.	QTY	DESCRIPTION
1	01370250	5	RETAINER
2	00053190	10	HEX. BOLT
3	00875950	20	WASHER
4	11717203	5	HEXAGON SCREW
5	00131600	4	RIVET
6	03008430	1	TYPE PLATE
7	00873150	4	RIVET NUT
8	01371260	2	MOUNTING CLIP DEUTSCH-CONNECTOR
9	01493440	4	RETAINER
10	01382370	4	MOUNTING CLIP FOR SUPERSEAL
11	12022067	1	HEX. NUT
12	00051550	1	HEX BOLT
13	01380010	1	WING SCREW
14	01476570	1	RETAINER Ø20
15	00053200	10	HEX.BOLT
16	***	2	SPARE PART ON REQUEST
17	01370240	8	MOUNTING FEET

Bumper Bar



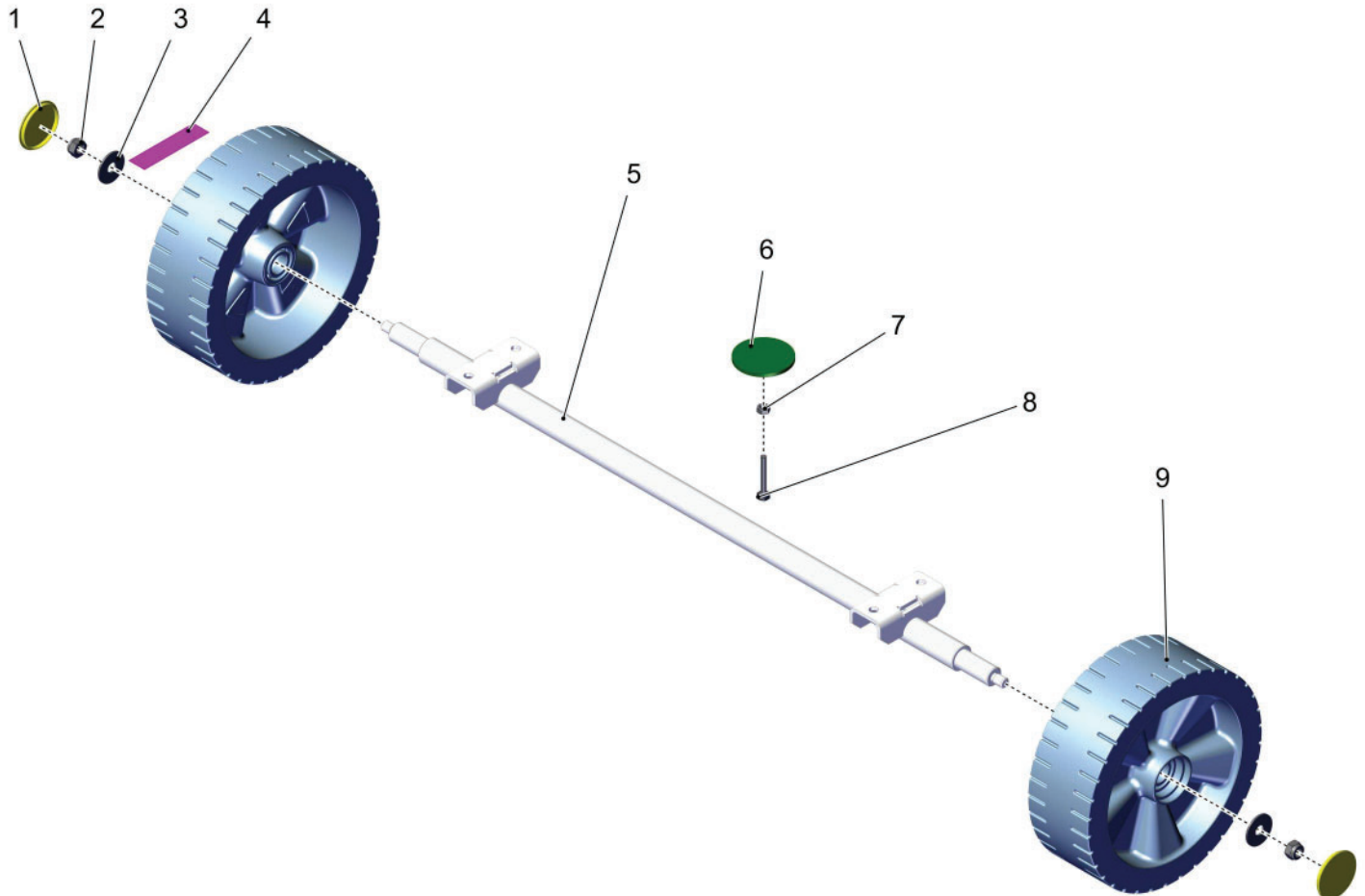
PARTS LIST - BUMPER BAR			
ITEM	PART NO.	QTY	DESCRIPTION
1	00132880	2	HEX NUT
2	01382450	1	BUMPER, COMPLETE
3	***	2	SPARE PART ON REQUEST
4	01371490	8	DEFLECTOR
5	01376740	8	SLIDE BEARING BUSH
6	00128880	0,028	HOSE
7	00128880	0,018	HOSE
8	01380120	2	SOCKET HEAD SCREW

Front Bumper 1230



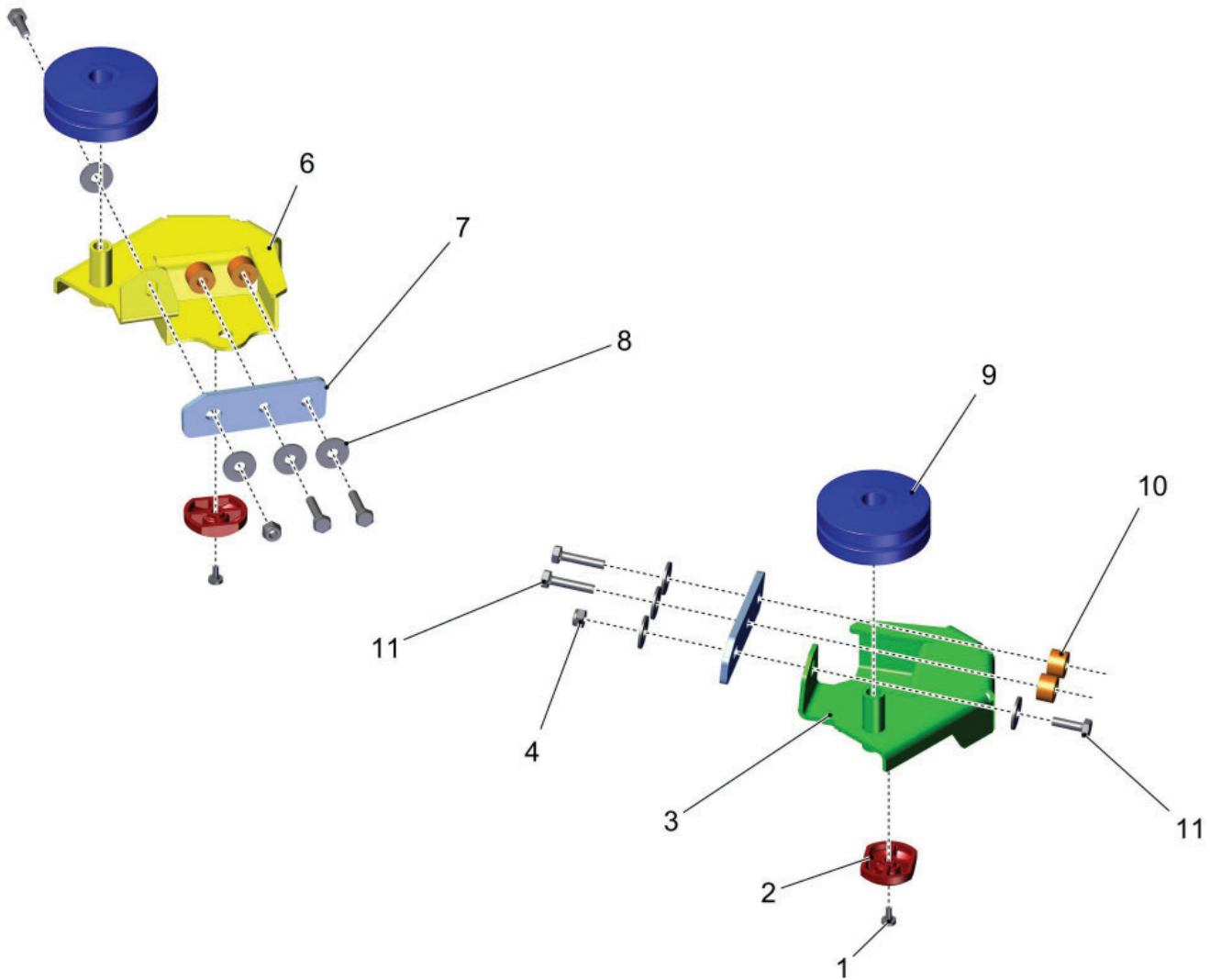
PARTS LIST - FRONT BUMPER 1230			
ITEM	PART NO.	QTY	DESCRIPTION
1	01272710	2	LENS HEAD SCREW
2	01371320	2	STAY
3	01382440	1	FRONT BUMPER 1230, COMPLETE
4	01371490	4	DEFLECTOR

Rear Axle

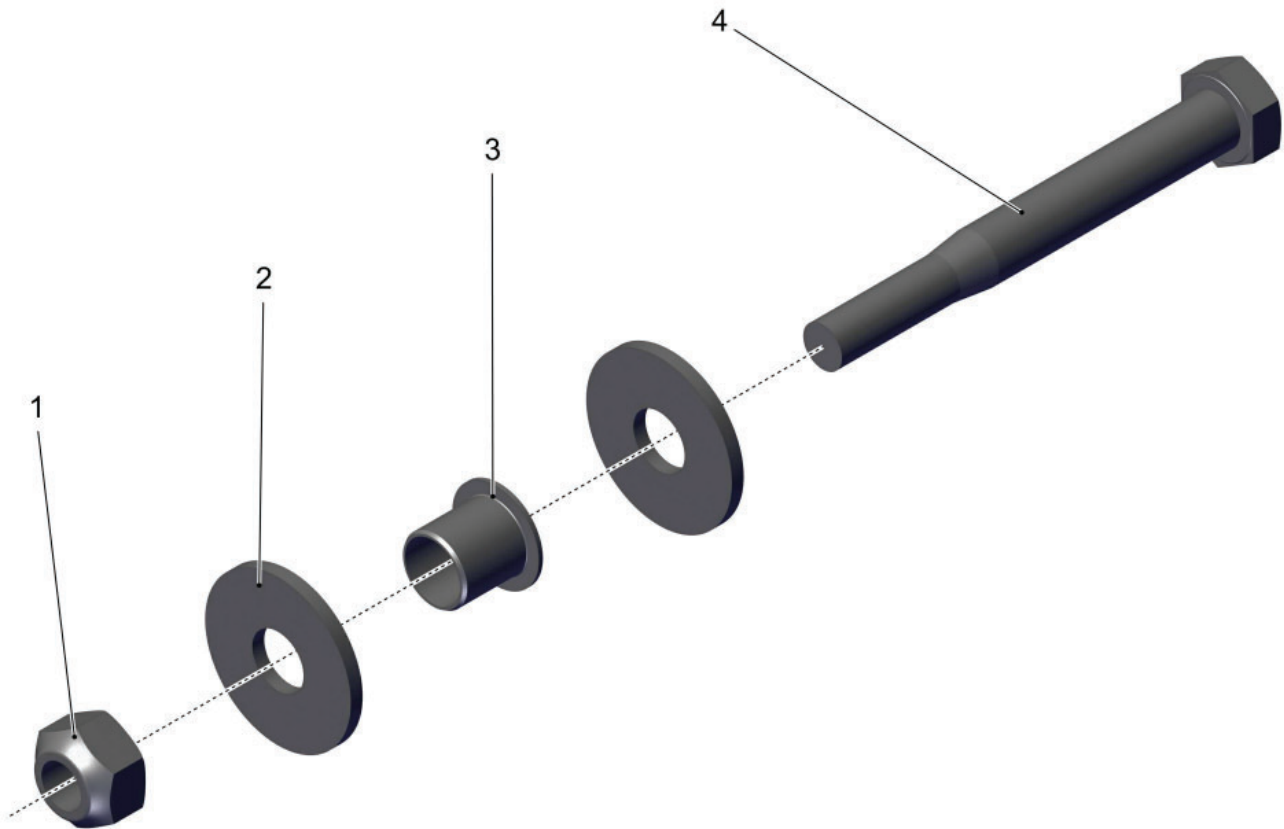


PARTS LIST - REAR AXLE			
ITEM	PART NO.	QTY	DESCRIPTION
1	01380260	2	SEALING PLUG
2	00135350	2	HEX NUT
3	00954200	2	WASHER
4	01371840	1	DECAL SIGN_GRADE
5	***	1	SPARE PART ON REQUEST
6	00974220	1	WASHER
7	12022067	1	HEX. NUT
8	00051550	1	HEX BOLT
9	01380140	2	WHEEL

Collision Protection 1230

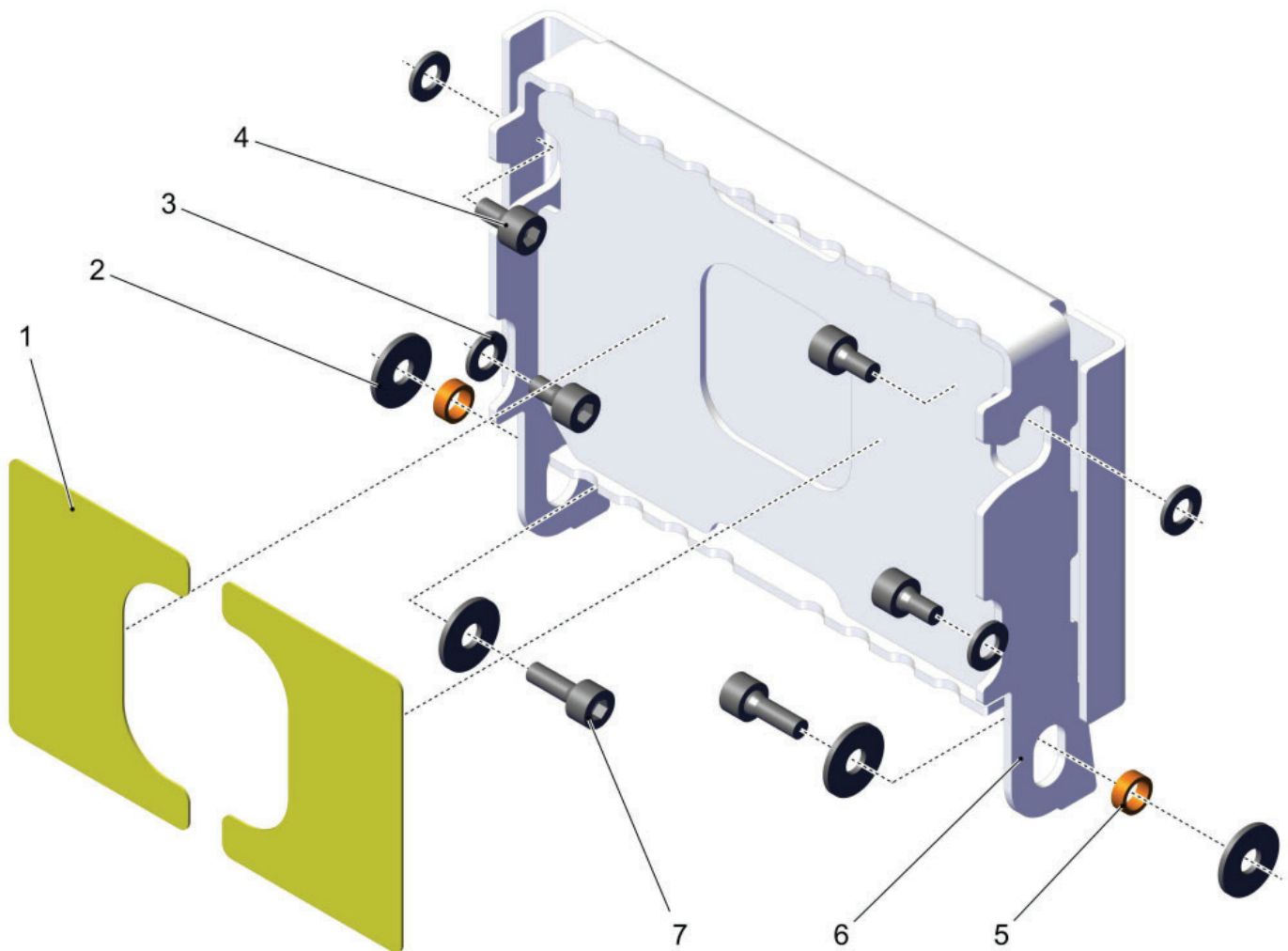


PARTS LIST - COLLISION PROTECTION 1230			
ITEM	PART NO.	QTY	DESCRIPTION
1	01272710	2	LENS HEAD SCREW
2	01371320	2	STAY
3	***	1	SPARE PART ON REQUEST
4	12040077	2	HEX. NUT
5	00054830	4	HEX.BOLT
6	***	1	SPARE PART ON REQUEST
7	***	2	SPARE PART ON REQUEST
8	00132610	8	WASHER
9	01371490	4	DEFLECTOR
10	***	4	SPARE PART ON REQUEST
11	00155830	2	HEXAGON SCREW



PARTS LIST - COLLISION PROTECTION 1230			
ITEM	PART NO.	QTY	DESCRIPTION
1	12040077	1	HEX. NUT
2	00132610	2	WASHER
3	00740190	1	SLIDE BEARING BUSH
4	01191420	1	HEXAGON SCREW

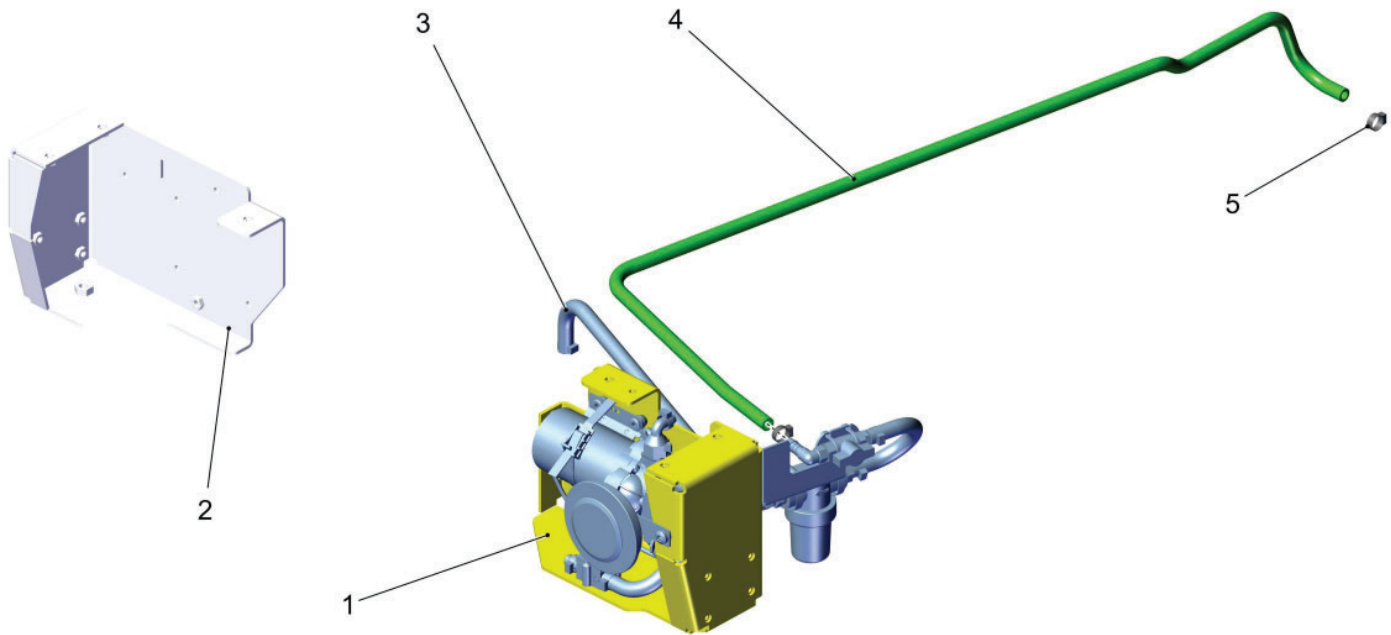
Rear Flap



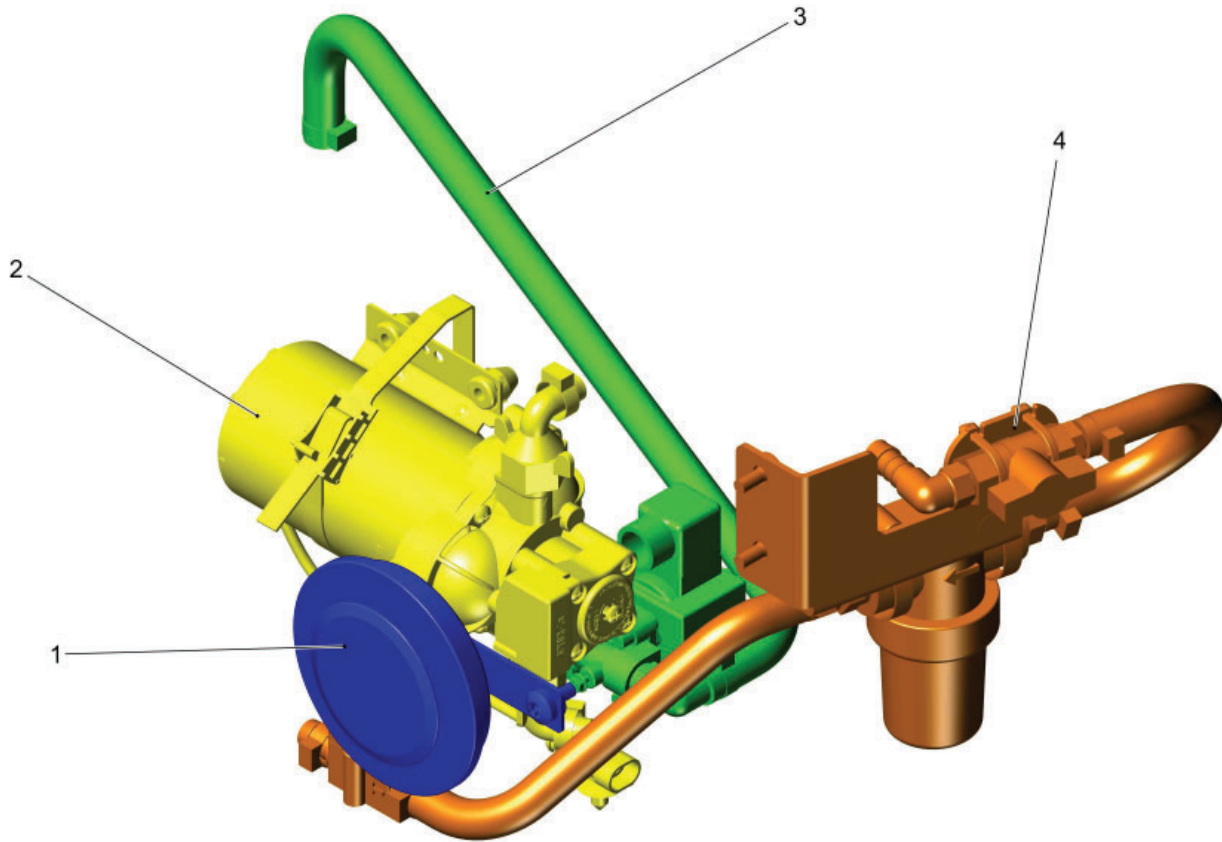
PARTS LIST - REAR FLAP			
ITEM	PART NO.	QTY	DESCRIPTION
1	***	2	SPARE PART ON REQUEST
2	12332037	4	WASHER
3	12310058	4	WASHER
4	01380120	4	SOCKET HEAD SCREW
5	***	2	SPARE PART ON REQUEST
6	***	1	SPARE PART ON REQUEST
7	00135030	2	SOCKET HEAD SCREW

Water Plate

Water Plate

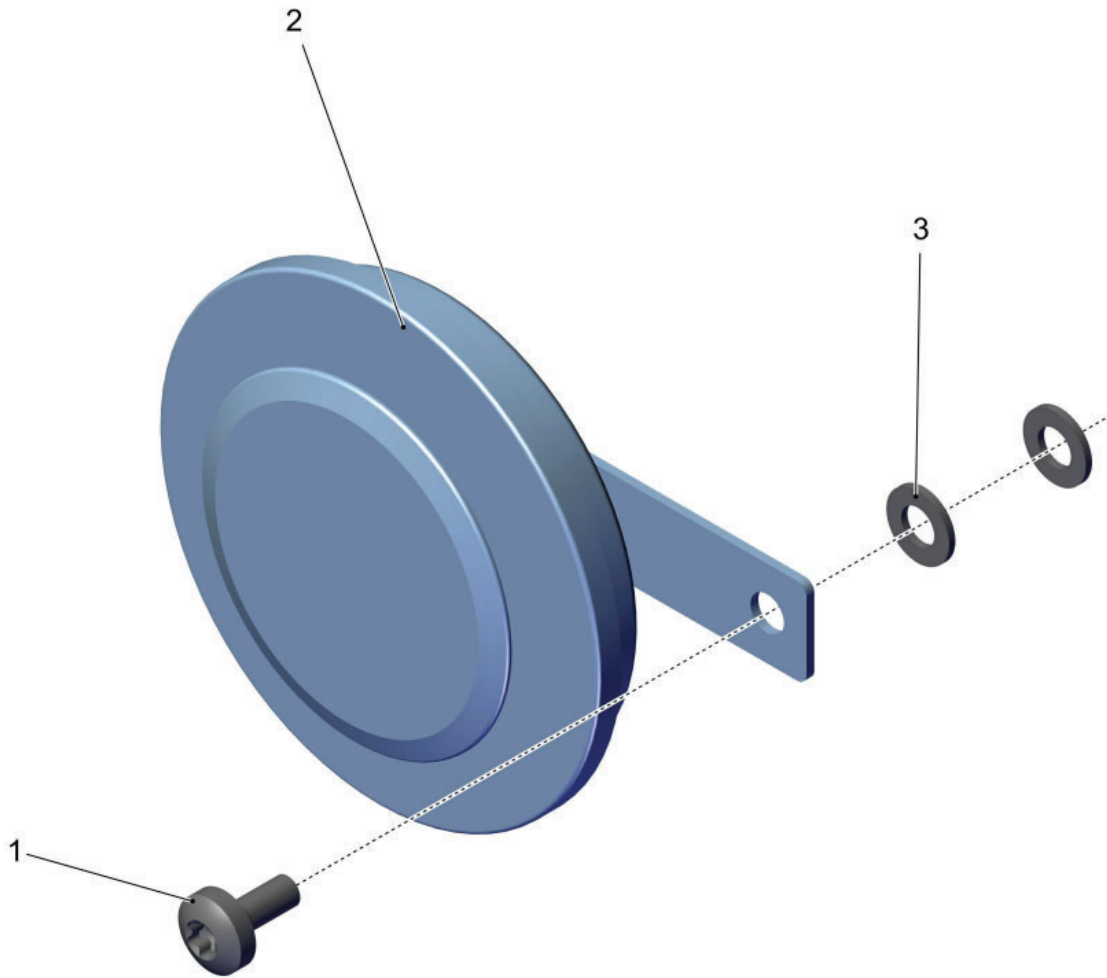


PARTS LIST - WATER PLATE			
ITEM	PART NO.	QTY	DESCRIPTION
1	***	1	SPARE PART ON REQUEST
2	***	1	SPARE PART ON REQUEST
3	***	1	WATER PLATE
4	00112010	1,470	HOSE
5	01376430	2	HOSE CLAMP



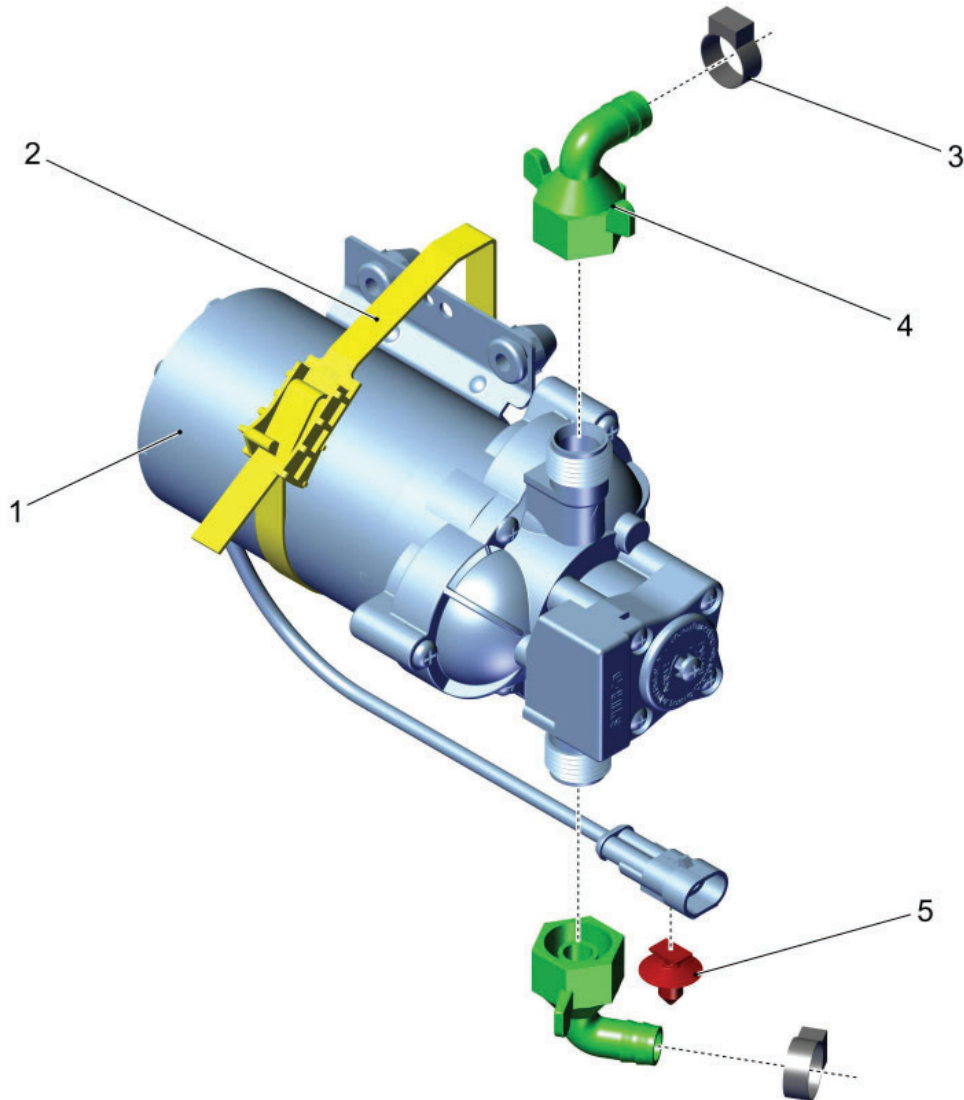
PARTS LIST - WATER PLATE			
ITEM	PART NO.	QTY	DESCRIPTION
1	***	1	SIGNAL HORN
2	***	1	WTAER PUMP
3	***	1	ELECTROVALVE
4	***	1	FLOW METER ASSEMBLY

Signal Horn



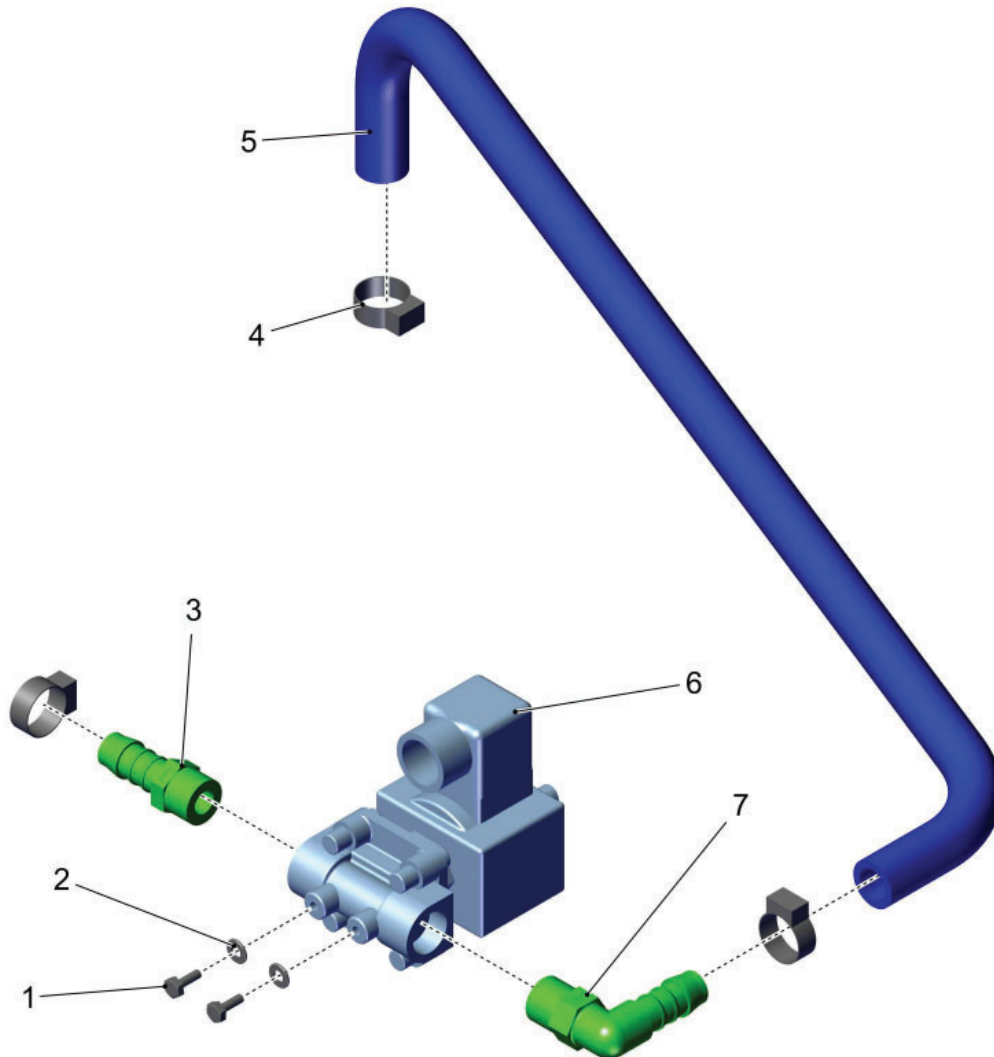
PARTS LIST - SIGNAL HORN			
ITEM	PART NO.	QTY	DESCRIPTION
1	01272710	1	LENS HEAD SCREW
2	00050810	1	SIGNAL HORN
3	12310041	2	WASHER

Water Pump



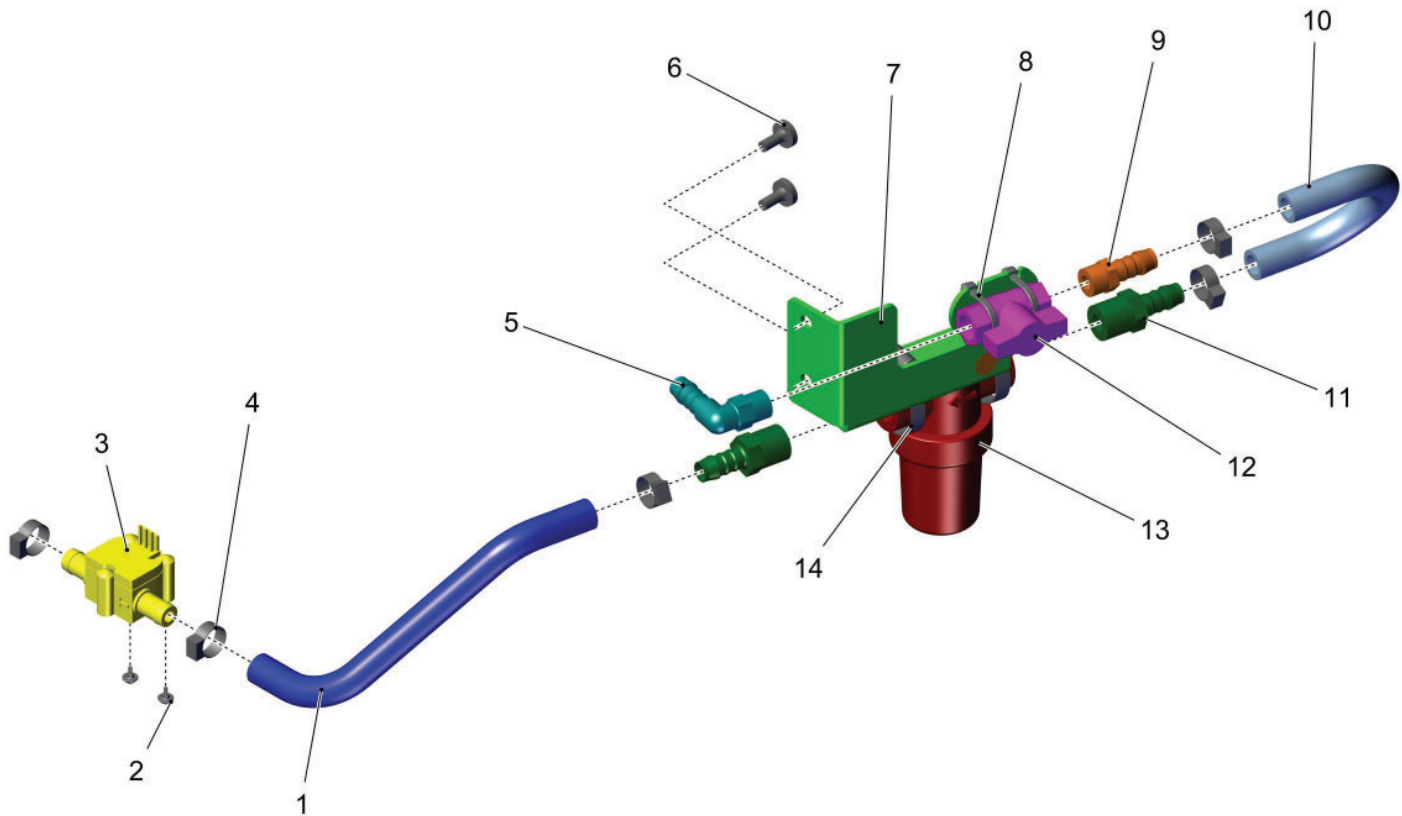
PARTS LIST - WATER PUMP			
ITEM	PART NO.	QTY	DESCRIPTION
1	01380860	1	WATER PUMP 36V, COMPLETE
2	01073340	1	CABLE TIE
3	01376430	2	HOSE CLAMP
4	90330168	2	SCREWED ANGLE FITTING
5	01382370	1	MOUNTING CLIP FOR SUPERSEAL

Electrovalve



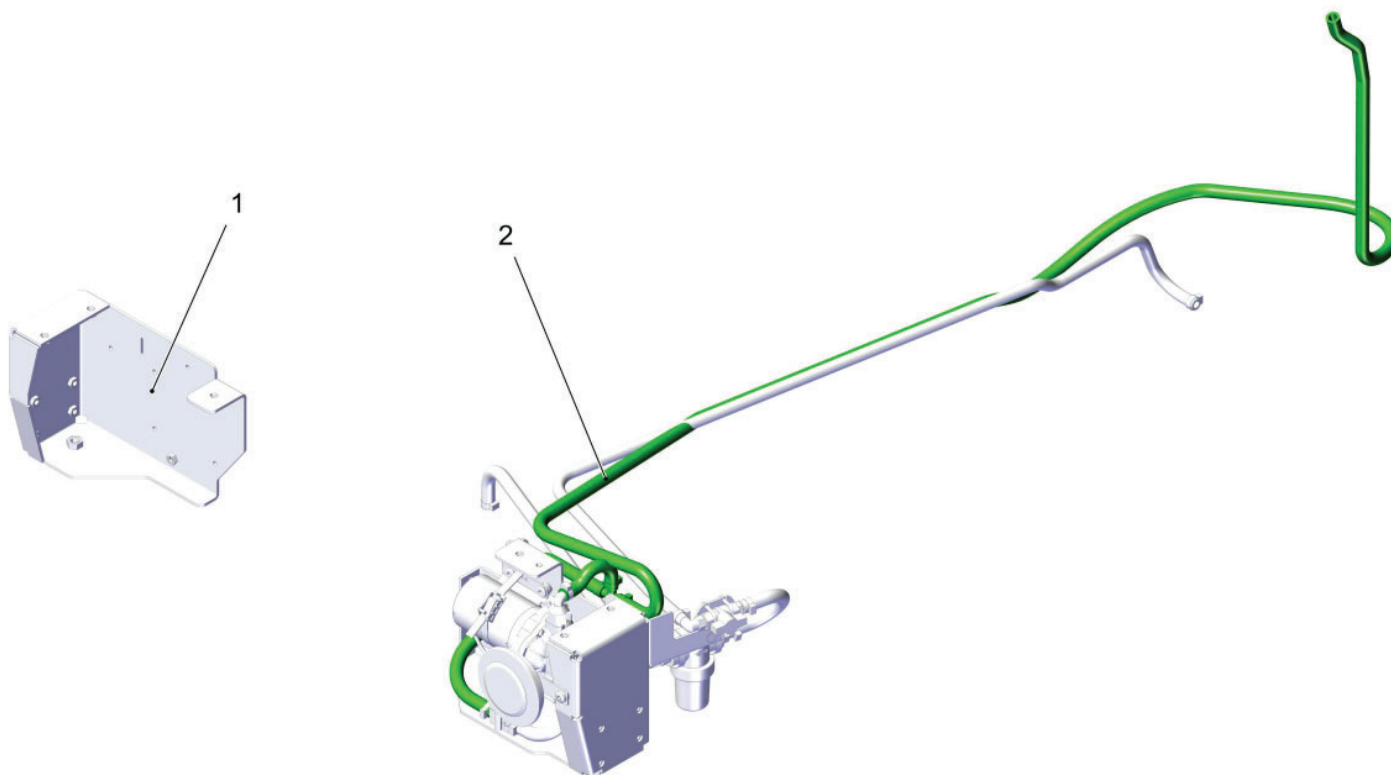
PARTS LIST - ELECTROVALVE			
ITEM	PART NO.	QTY	DESCRIPTION
1	01380860	1	WATER PUMP 36V, COMPLETE
2	01073340	1	CABLE TIE
3	01376430	2	HOSE CLAMP
4	90330168	2	SCREWED ANGLE FITTING
5	01382370	1	MOUNTING CLIP FOR SUPERSEAL
6	01071000	1	ELECTROVALVE
7	00020020	1	ANGLE SOCKET

Flow Meter Assembly

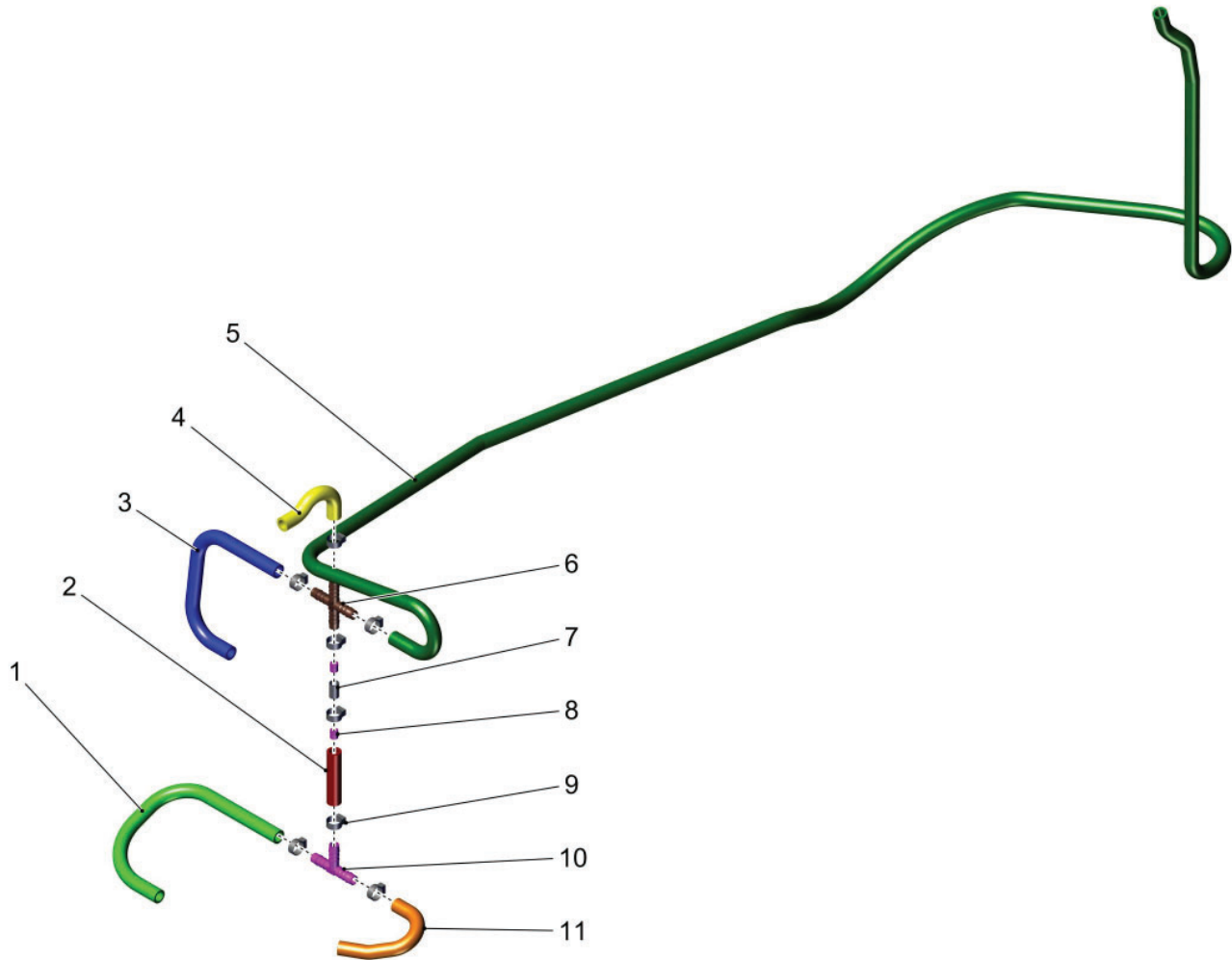


PARTS LIST - FLOW METER ASSEMBLY			
ITEM	PART NO.	QTY	DESCRIPTION
1	00112010	0,240	HOSE
2	01170850	2	SCREW
3	01270790	1	FLOW METER
4	01376430	5	HOSE CLAMP
5	90174970	1	ANGLE SOCKET
6	01272710	2	LENS HEAD SCREW
7	***	1	SPARE PART ON REQUEST
8	00361218	2	CABLE TIE
9	90310665	1	SCREWING IN CONNECTING PI
10	00112010	0,200	HOSE
11	01071470	2	SCREWED PLUG
12	00952760	1	BALL TAP
13	01072850	1	FILTER
14	01071810	2	HOSE CLAMP

Preparation for Spraying Tool



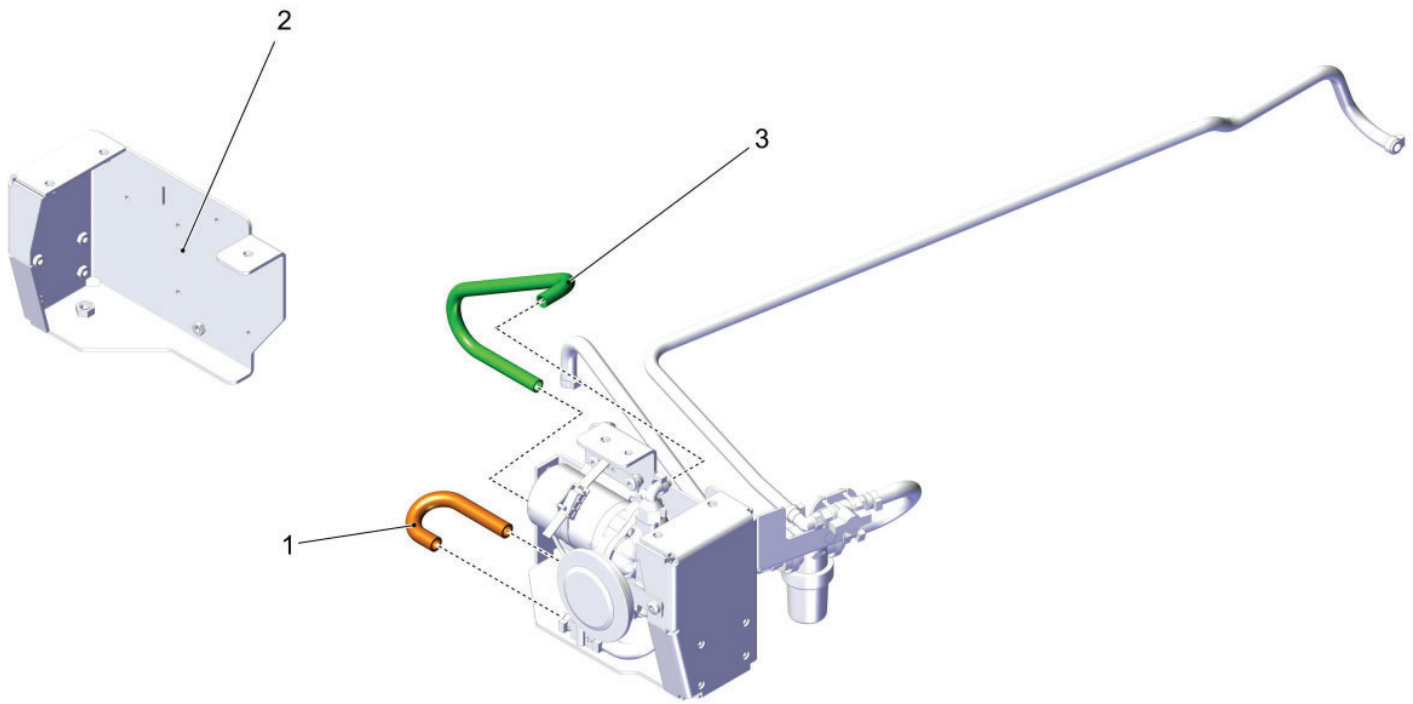
PARTS LIST - PREPARATION FOR SPRAYING TOOL			
ITEM	PART NO.	QTY	DESCRIPTION
1	***	1	WATER PLATE
2	***	1	PREPARATION FOR SPRAYING TOOL



PARTS LIST - PREPARATION FOR SPRAYING TOOL

ITEM	PART NO.	QTY	DESCRIPTION
1	00112010	0,385	HOSE
2	00112010	0,075	HOSE
3	00112010	0,330	HOSE
4	00112010	0,100	HOSE
5	00112010	2,480	HOSE
6	01056360	1	CROSS CONNECTOR
7	***	1	SPARE PART ON REQUEST
8	01371810	2	RECYCLING STOP
9	01376430	8	HOSE CLAMP
10	90310681	1	T-PIECE
11	00112010	0,160	HOSE

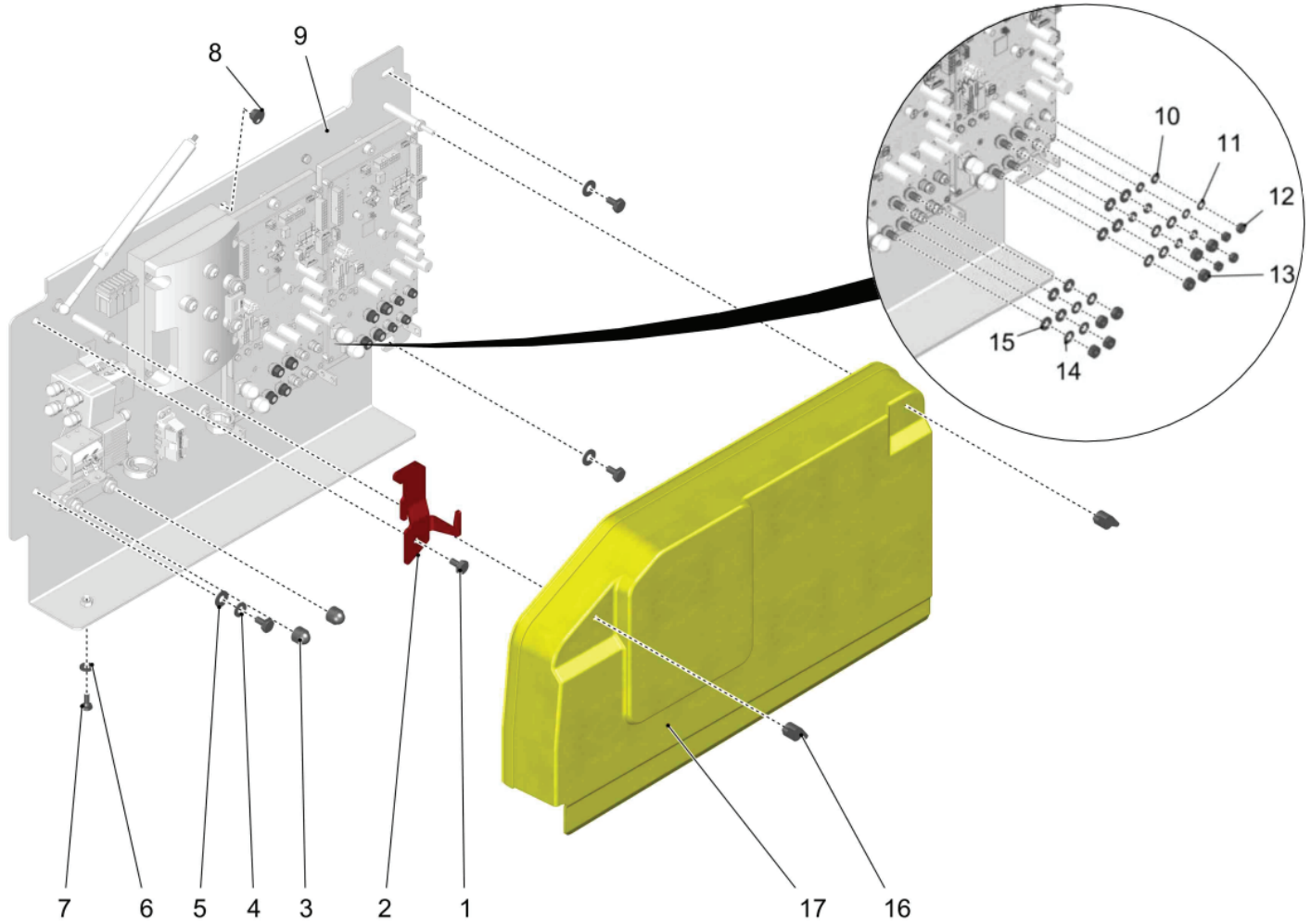
Water Intake



PARTS LIST - WATER INTAKE			
ITEM	PART NO.	QTY	DESCRIPTION
1	00112010	0,200	HOSE
2	***	1	WATER PLATE
3	00112010	0,385	HOSE

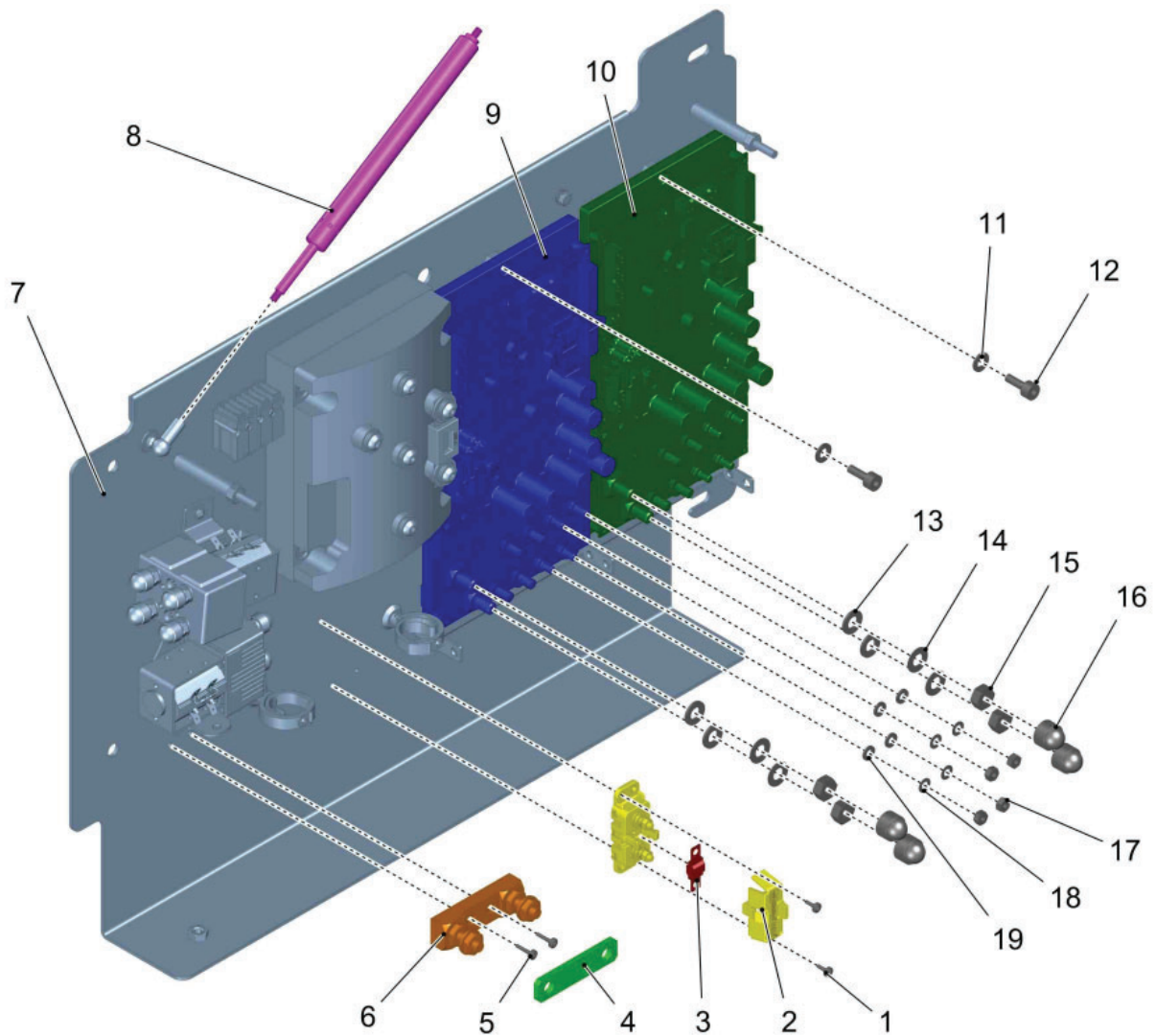
Electric System

Electrical Equipment



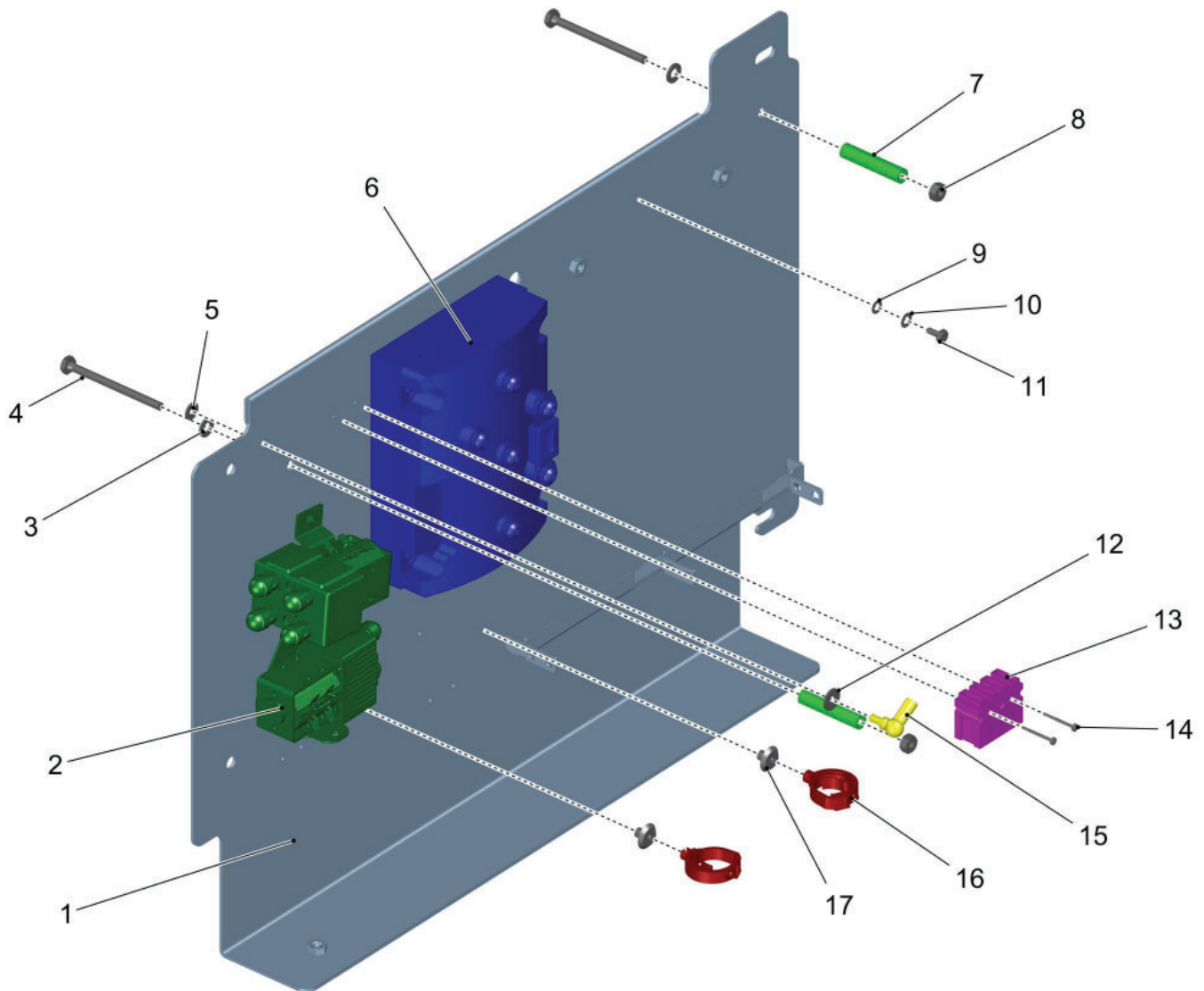
PARTS LIST - ELECTRICAL EQUIPMENT			
ITEM	PART NO.	QTY	DESCRIPTION
1	00055460	4	HEX BOLT
2	***	1	SPARE PART ON REQUEST
3	15592041	2	LENS CAP
4	12310058	1	WASHER
5	00740290	3	DETENT WASHER
6	00740090	1	DETENT WASHER
7	11038197	1	HEX BOLT
8	01140570	1	SEALING PLUG
9	97144828	1	ELECTRIC PLATE
10	12310033	1	WASHER
11	00053840	4	SPRING WASHER
12	12022042	4	HEX NUT
13	12022059	8	HEX NUT
14	00053850	8	SPRING WASHER
15	12310041	8	WASHER
16	01111970	2	WING NUT
17	97161814	1	COVERING

Controllers and Mounting Hardware



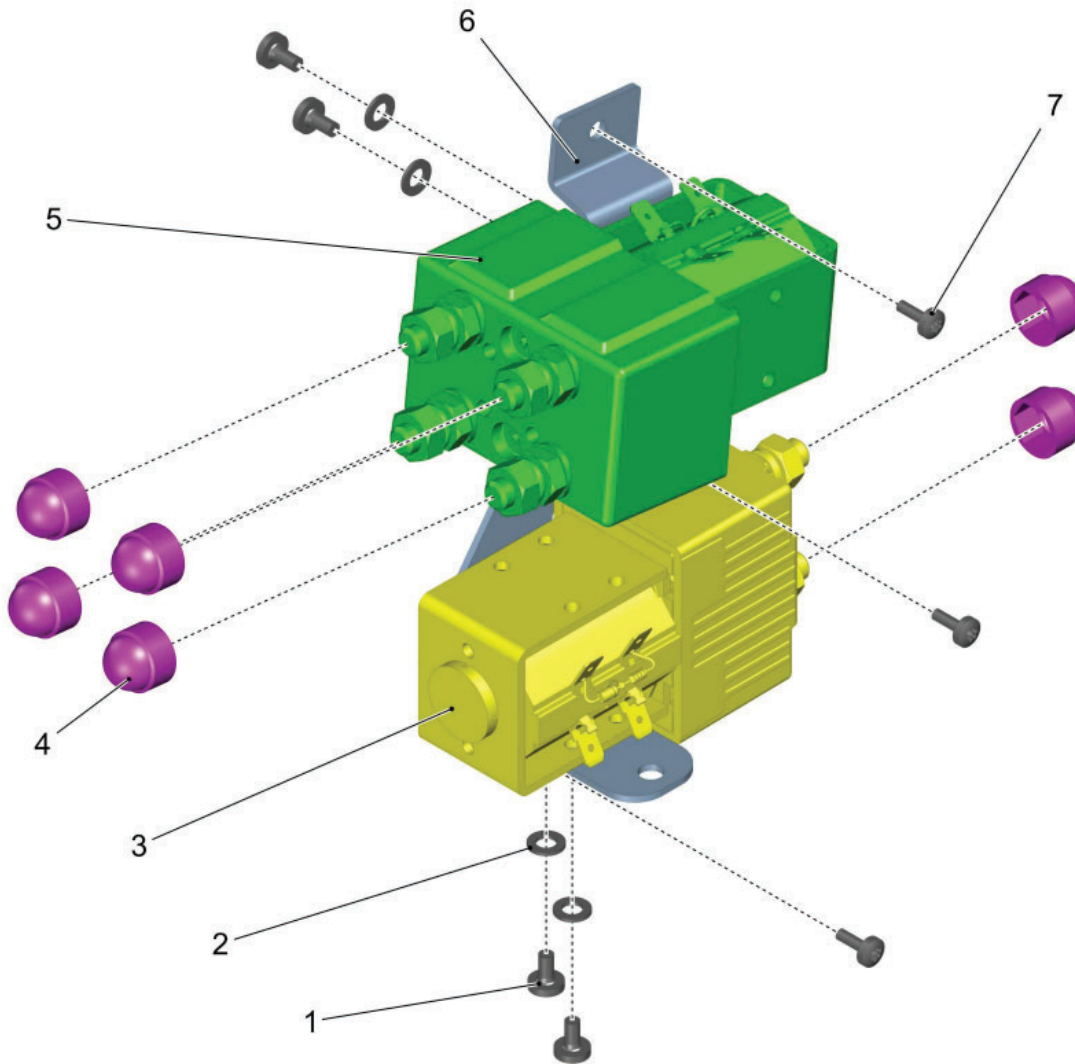
PARTS LIST - CONTROLLERS			
ITEM	PART NO.	QTY	DESCRIPTION
1	01112160	2	SCREW
2	01473870	1	FUSE HOLDER
3	01371170	1	FUSE LINK
4	00730830	1	STRAP
5	01272680	2	SCREW
6	00121440	1	FUSE HOLDER, MAIN FUSE
7	***	1	ELECTRIC PLATE
8	01380190	1	GAS-PRESSURIZED SPRING 16-2-203 600N
9	01379680	1	CONTROLLER
10	01379680	1	CONTROLLER
11	12310041	2	WASHER
12	00045540	2	SOCKET HEAD CAP SCREW
13	12310058	4	WASHER
14	00053860	4	SPRING WASHER
15	12022067	4	HEX. NUT
16	15592041	4	LENS CAP
17	12022042	4	HEX NUT
18	00053840	4	SPRING WASHER
19	12310033	4	WASHER

Drive Control A/C and Solenoid Switches Mounting Hardware



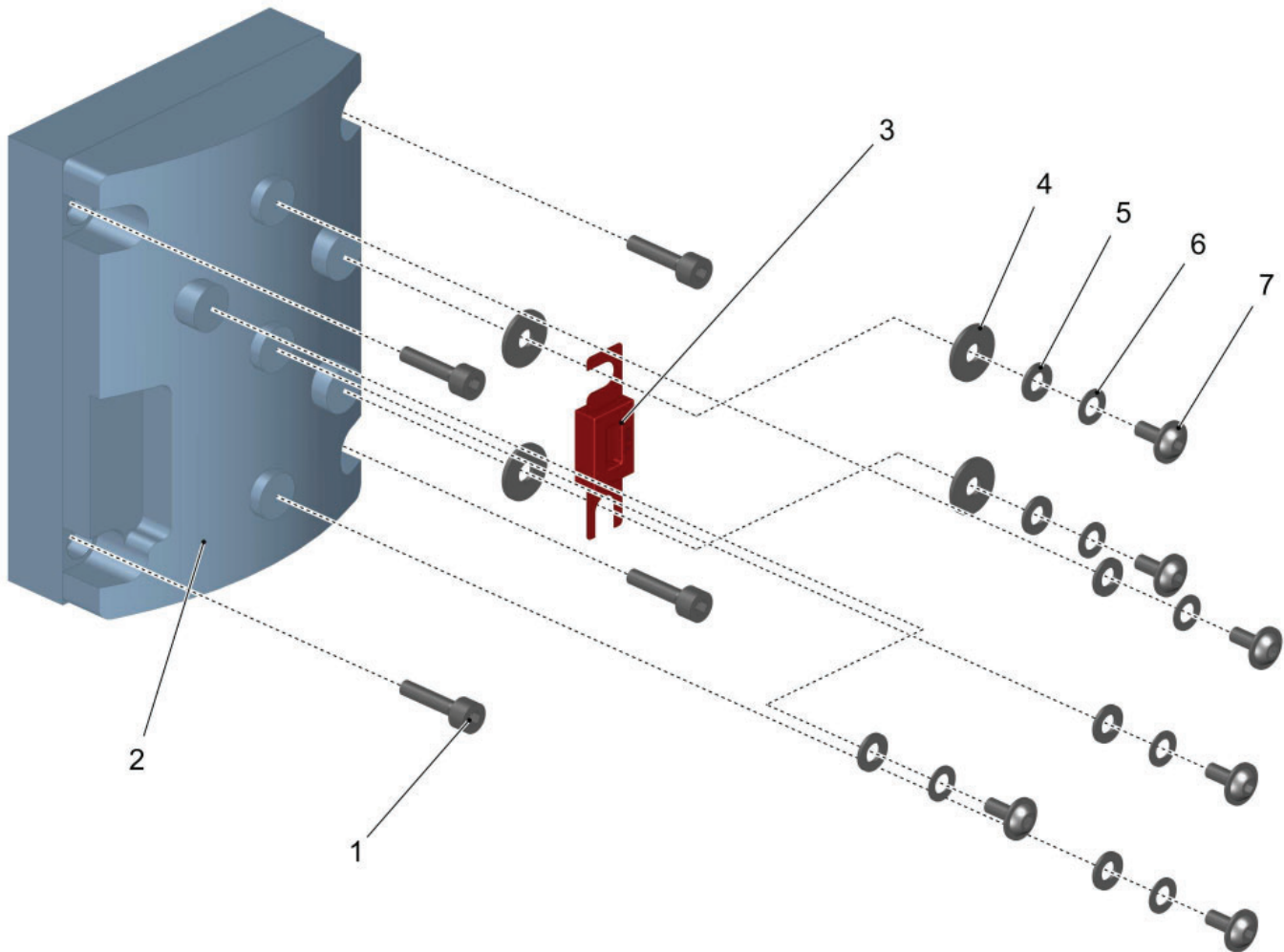
PARTS LIST - ELECTRIC PLATE			
ITEM	PART NO.	QTY	DESCRIPTION
1	***	1	SPARE PART ON REQUEST
2	***	1	ELECTRIC PLATE
3	12310041	2	WASHER
4	00746390	2	HEX.BOLT
5	00730940	1	DETENT WASHER
6	***	1	ELECTRIC PLATE
7	01057440	2	SPACER PIECE
8	12022059	2	HEX NUT
9	00054180	1	SERRATED LOCK WASHER
10	00053840	1	SPRING WASHER
11	01171270	1	SCREW
12	12332011	1	WASHER
13	00733650	4	FUSE SUPPORT
14	01110770	2	SCREW
15	00855580	1	ANGLE JOINT
16	***	2	SPARE PART ON REQUEST
17	01370240	2	MOUNTING FEET

Solenoid Switches



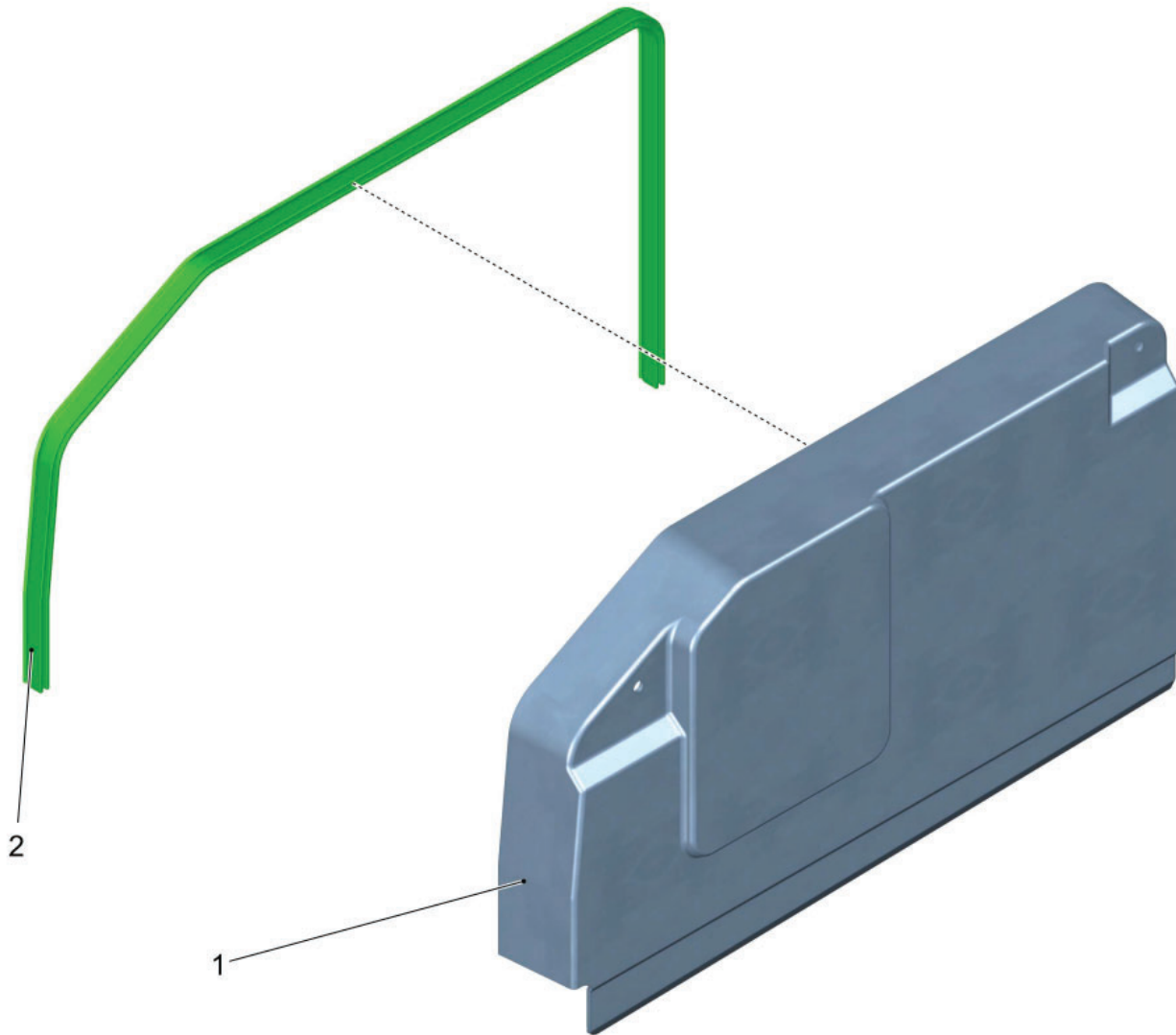
PARTS LIST - SOLENOID SWITCHES			
ITEM	PART NO.	QTY	DESCRIPTION
1	00552300	4	SCREW
2	12310025	4	WASHER
3	01371500	1	SOLENOID SWITCH
4	15592033	6	LENS
5	01371280	1	SOLENOID SWITCH
6	01382020	1	RELAY RETAINER
7	01112160	3	SCREW

Drive Control A/C



PARTS LIST - DRIVE CONTROL A/C			
ITEM	PART NO.	QTY	DESCRIPTION
1	00071450	4	SOCKET HEAD SCREW
2	01380200	1	DRIVE CONTROLLER-FRONT-A4
3	00101520	1	FUSE - STRIP 200 AMP 80V
4	12332136	4	WASHER
5	12310041	6	WASHER
6	00053850	6	SPRING WASHER
7	11177187	6	LENS FLANGE SCREW

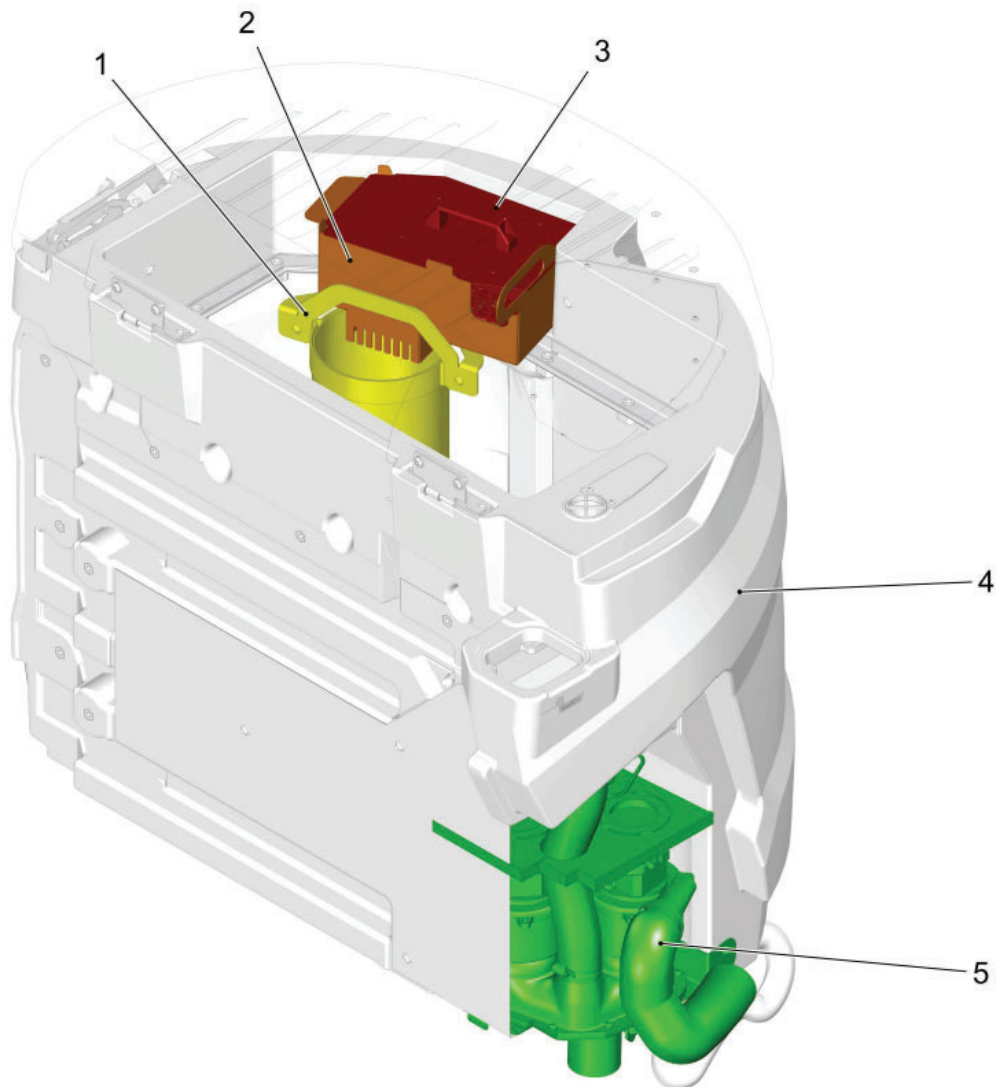
Covering



PARTS LIST - COVERING			
ITEM	PART NO.	QTY	DESCRIPTION
1	01382030	1	E-COVERING
2	01132640	1,270	EDGE PROTECTION

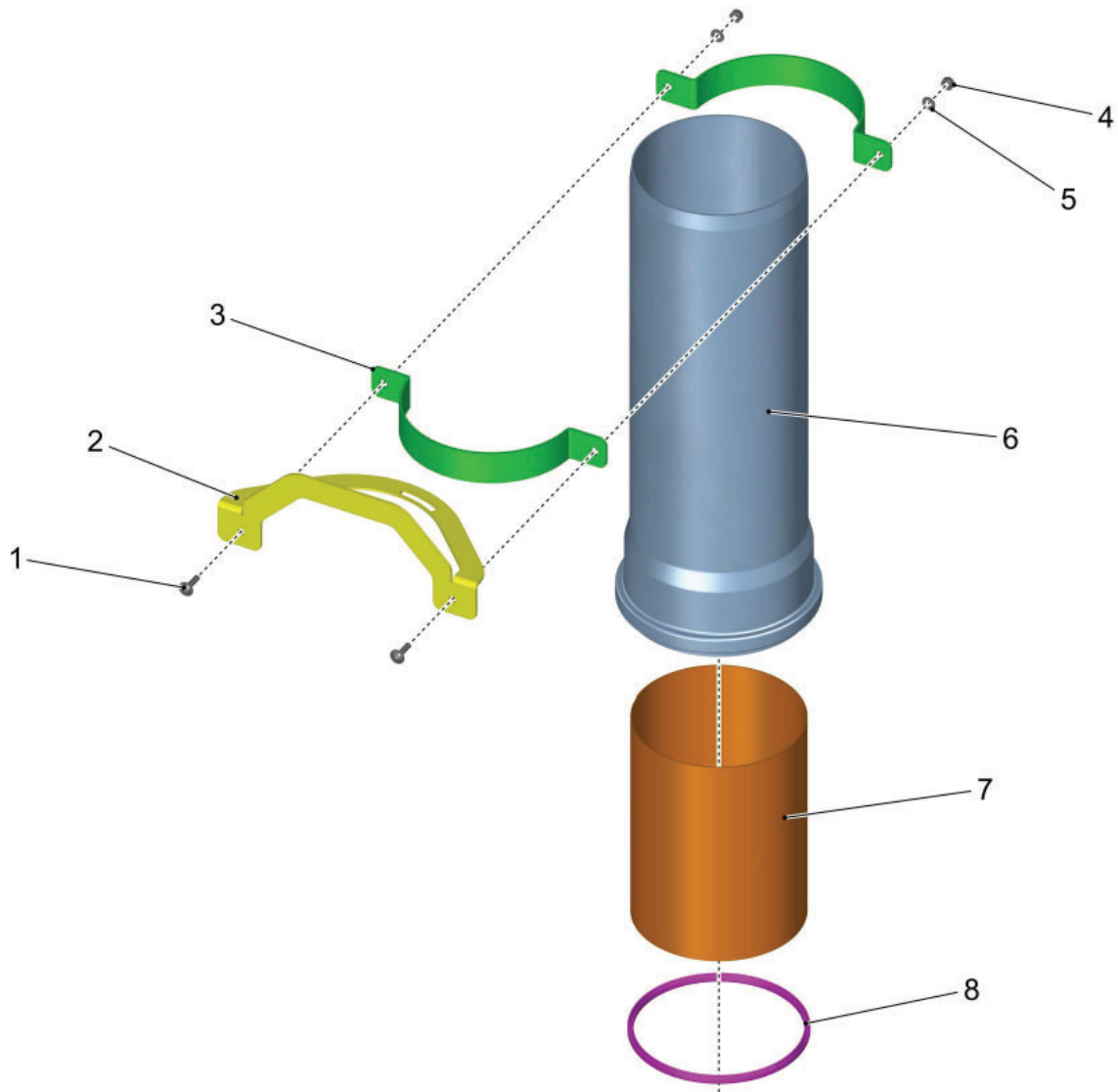
Water Tank

Water Tank



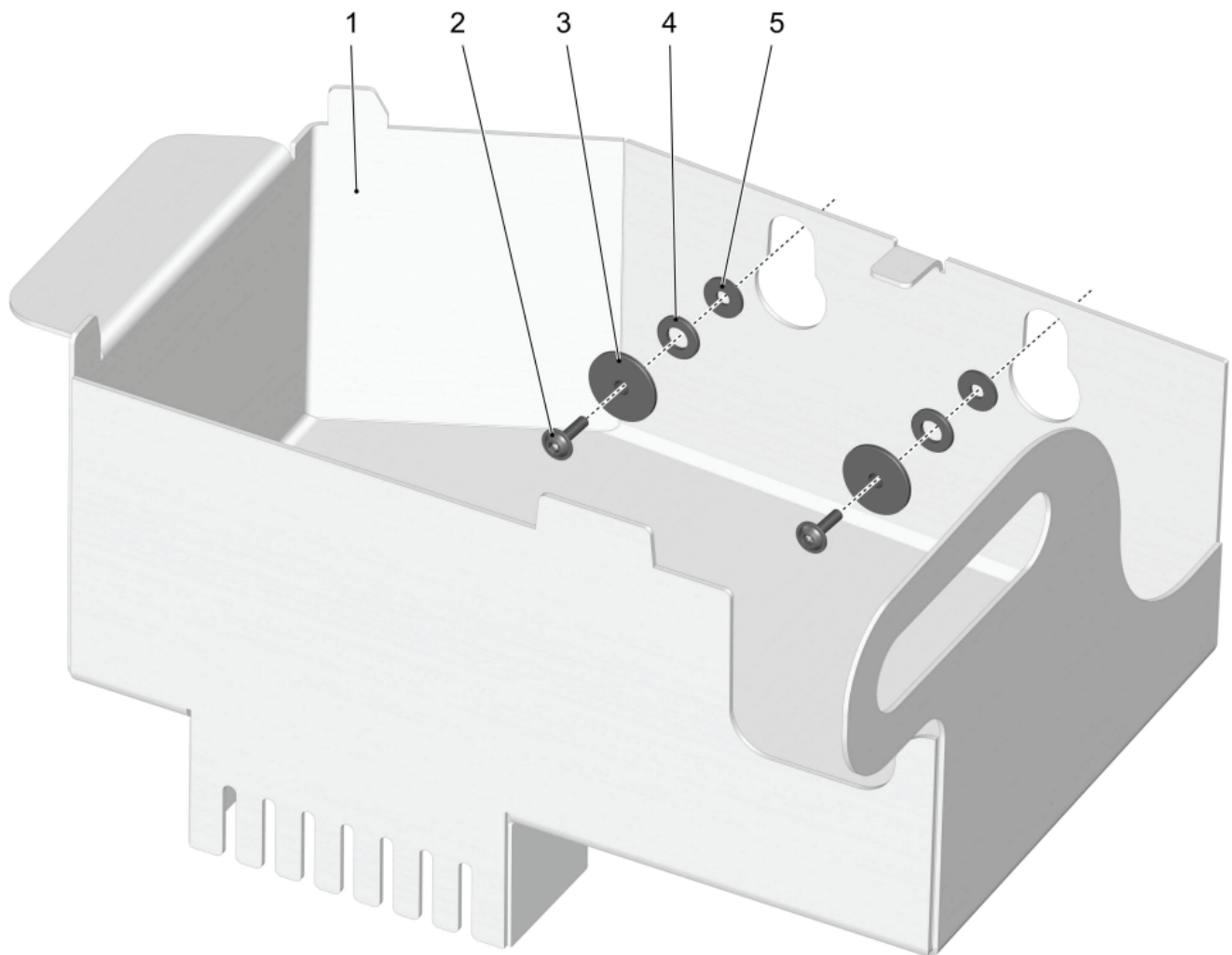
PARTS LIST - WATER TANK			
ITEM	PART NO.	QTY	DESCRIPTION
1	***	1	GUIDE TUBE
2	***	1	WATER TANK STANDARD
3	***	1	WIDE-MESH SCREEN
4	***	1	TANK STANDARD
5	***	1	WATER TANK STANDARD

Guide Tank



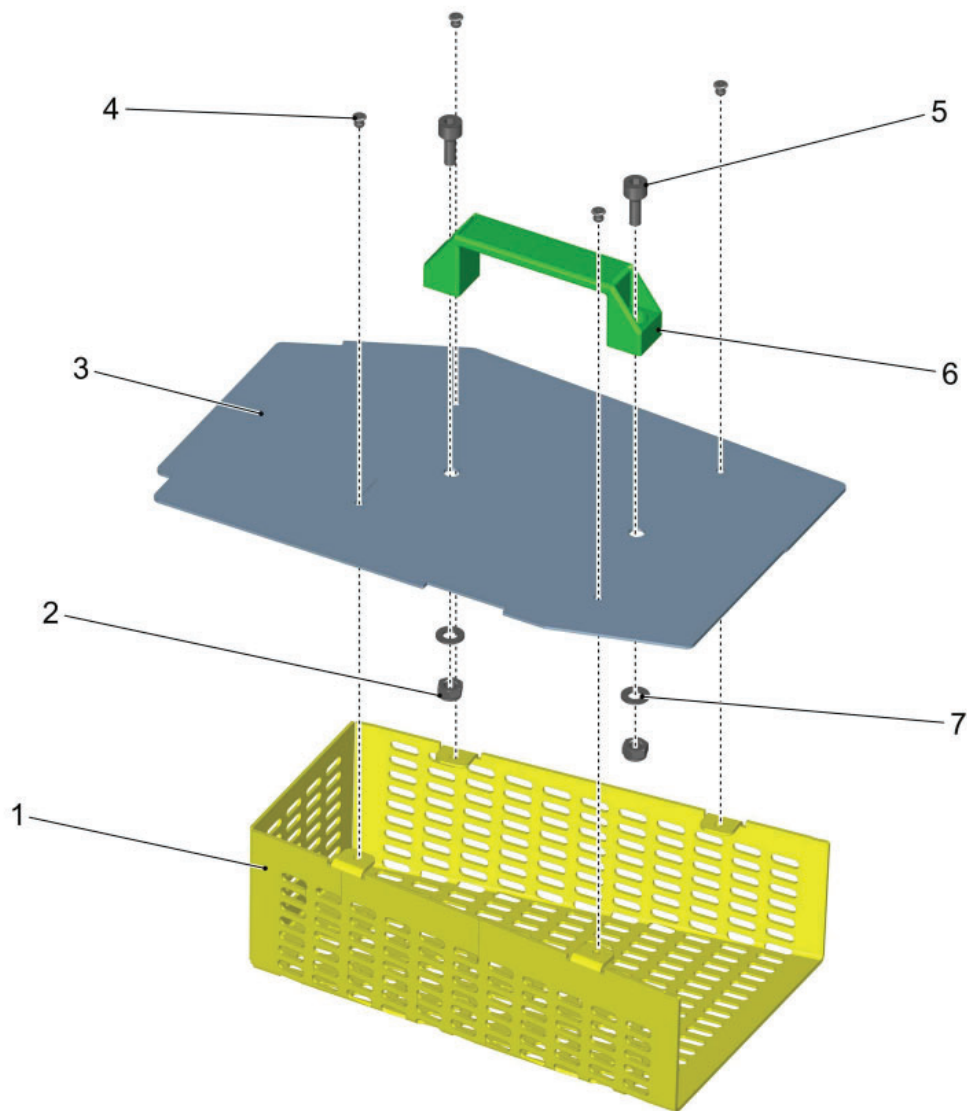
PARTS LIST - GUIDE TANK			
ITEM	PART NO.	QTY	DESCRIPTION
1	01164420	2	LENS FLANGE SCREW
2	***	1	SPARE PART ON REQUEST
3	01163290	2	CLAMP
4	12040259	2	HEXAGON NUT
5	12310264	2	WASHER
6	01162530	1	PIPE
7	01381730	1	STRAINER
8	01381720	0,620	EDGE PROTECTION 1,0-2,0

Rough Filter Retainer



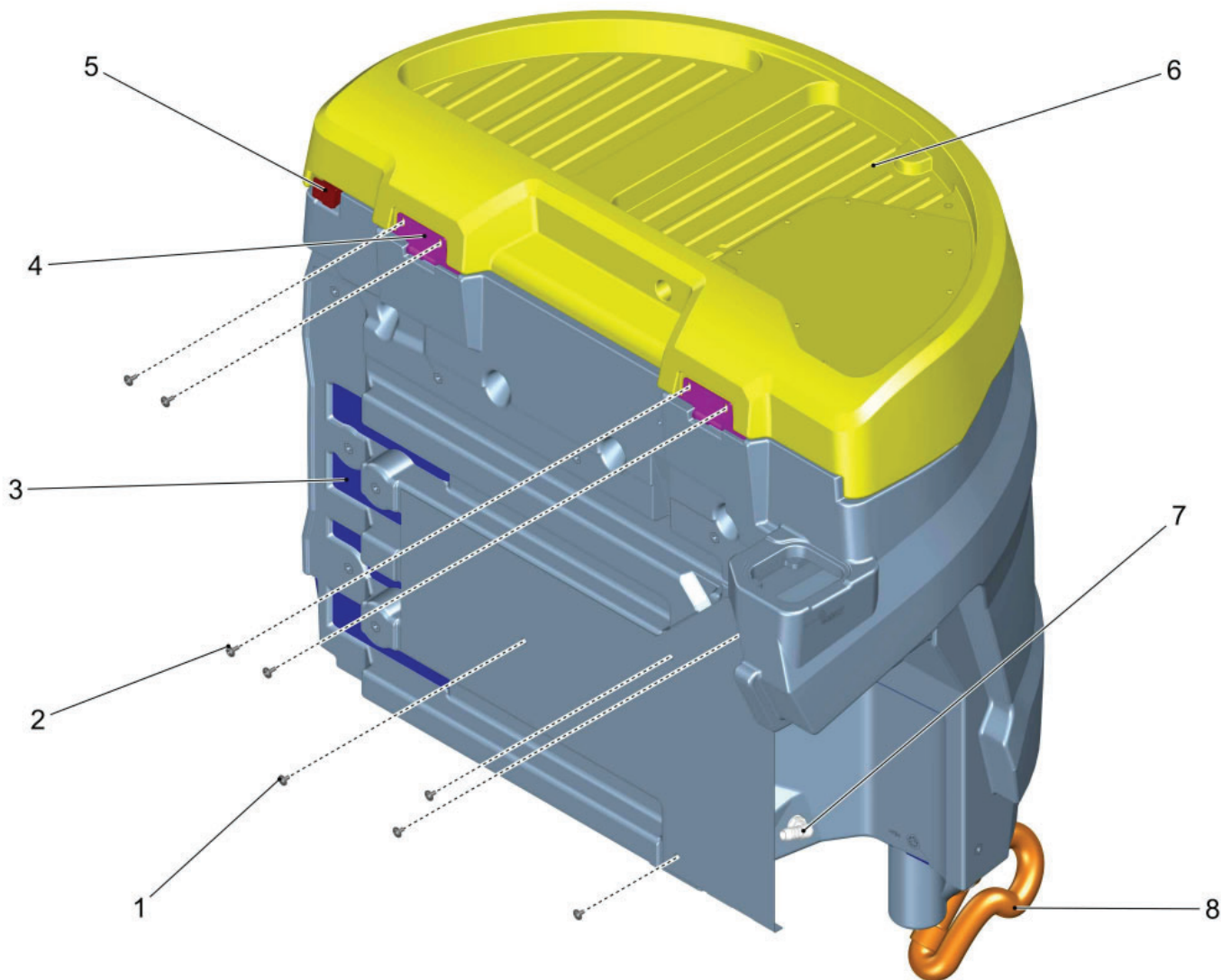
PARTS LIST - ROUGH FILTER RETAINER			
ITEM	PART NO.	QTY	DESCRIPTION
1	01382120	1	ROUGH FILTER RETAINER
2	01381650	2	LENS FLANGE SCREW
3	01377400	2	GUIDE PIECE
4	12310264	2	WASHER
5	00058000	2	WASHER
5	00058000	2	WASHER

Wide-mesh Screen



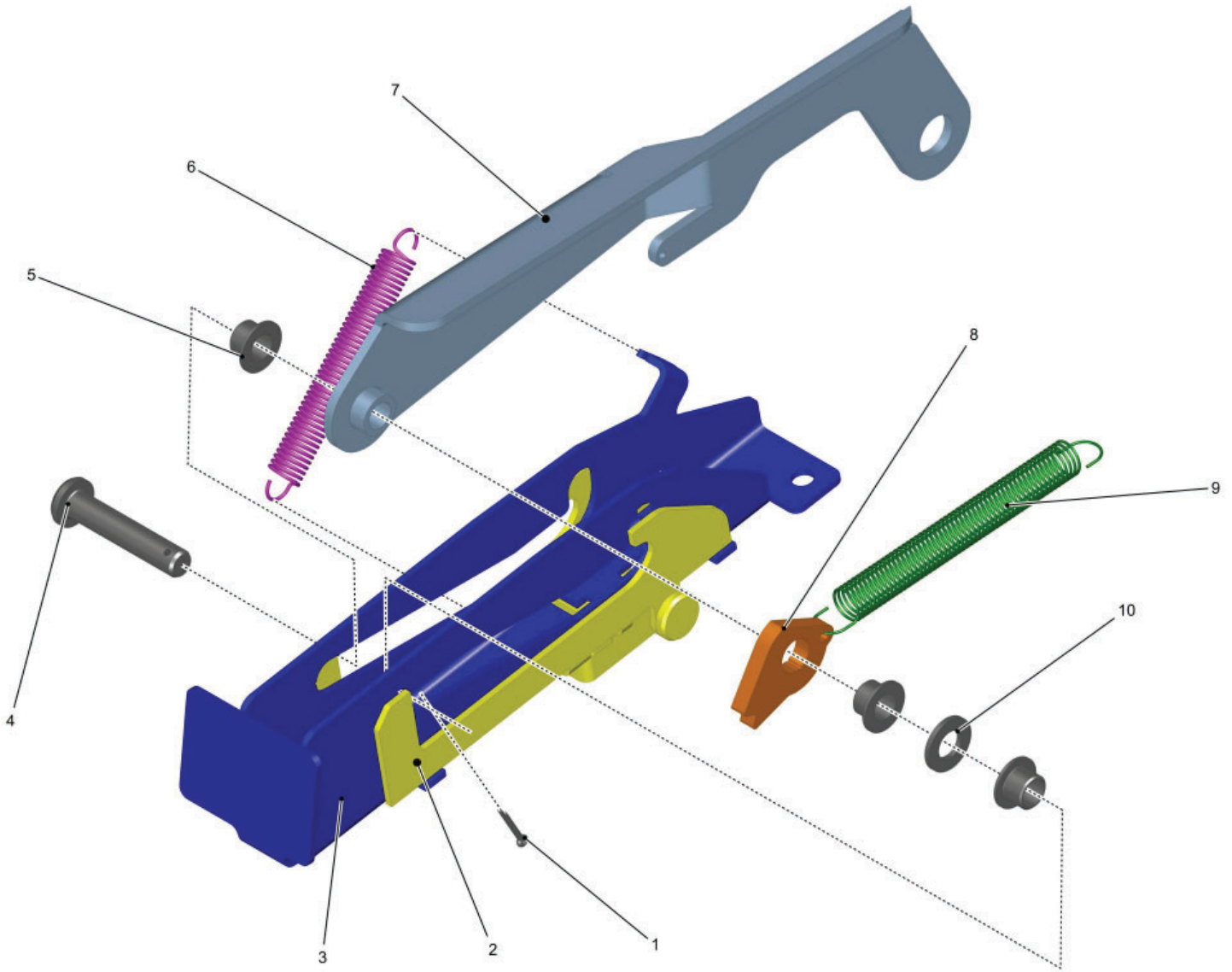
PARTS LIST - WIDE-MESH SCREEN			
ITEM	PART NO.	QTY	DESCRIPTION
1	01382000	1	ROUGH FILTER
2	12040259	2	HEXAGON NUT
3	***	1	SPARE PART ON REQUEST
4	01000320	4	BLIND RIVET
5	01017670	2	SOCKET HEAD SCREW
6	01102910	1	HANDLE
7	12310264	2	WASHER

Water Tank Standard



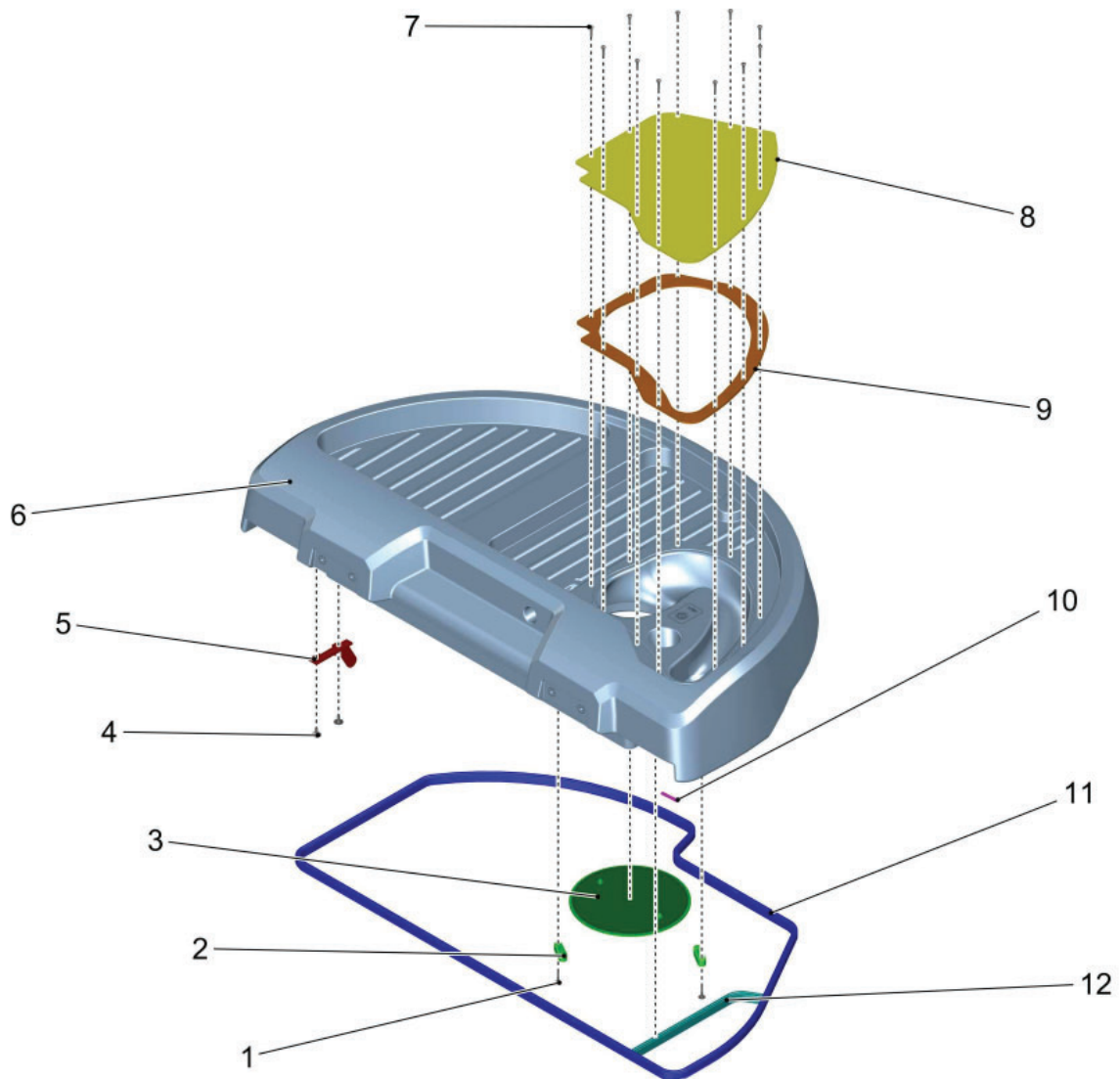
PARTS LIST - TANK STANDARD			
ITEM	PART NO.	QTY	DESCRIPTION
1	01133350	3	LENS FLANGE SCREW
2	11177187	4	LENS FLANGE SCREW
3	01381570	1	DIAPHRAGM
4	01382900	2	HINGE, COMPLETE
5	01382940	1	PUT-UP HINGE
6	***	1	COVER
7	***	1	TANK STANDARD
8	01278210	1	HOSE COMPLETE

Put-up Hinge



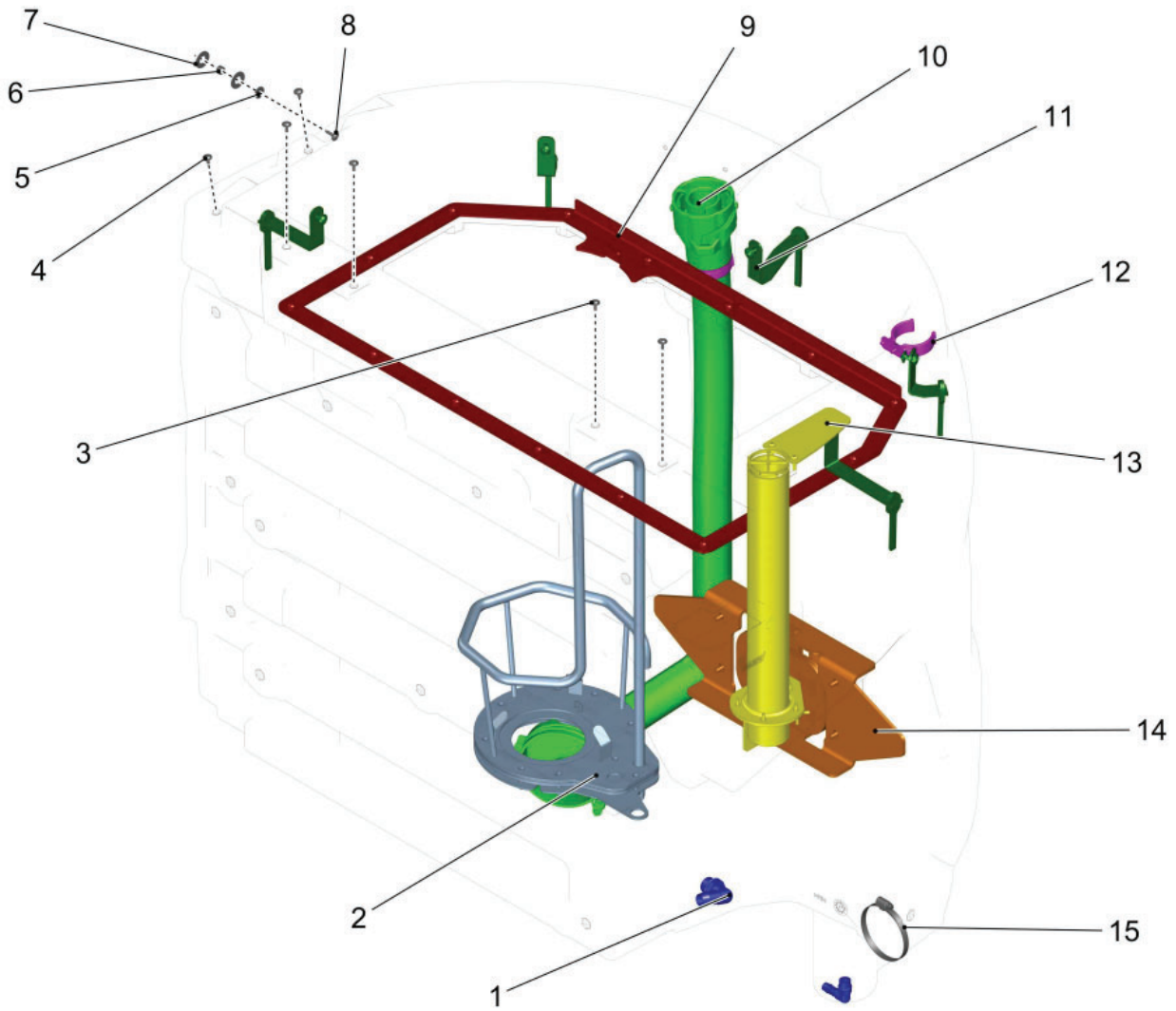
PARTS LIST - PUT-UP HINGE			
ITEM	PART NO.	QTY	DESCRIPTION
1	00551150	1	COTTER PIN
2	***	1	SPARE PART ON REQUEST
3	01381750	1	GUIDE LINK
4	00706080	1	BOLT
5	01092970	3	SLIDE BEARING BUSH
6	00536950	1	TENSION SPRING
7	01381590	1	LIFTING DEVICE
8	01381770	1	STOPPER
9	01130560	1	PULL SPRING
10	12310041	1	WASHER

Cover



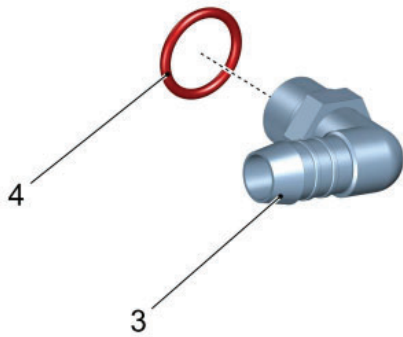
PARTS LIST - COVER			
ITEM	PART NO.	QTY	DESCRIPTION
1	11177161	2	LENS FLANGE SCREW
2	00968190	2	TOGGLE
3	01382160	1	STRAINER
4	11177187	2	LENS FLANGE SCREW
5	01381480	1	HOLDING PLATE
6	***	1	SPARE PART ON REQUEST
7	11709151	11	SCREW
8	***	1	SPARE PART ON REQUEST
9	01381840	1	GASKET
10	01090200	0,040	HOSE
11	25510512	2,927	SEALING PROFILE
12	25510512	0,327	SEALING PROFILE

Tank Standard



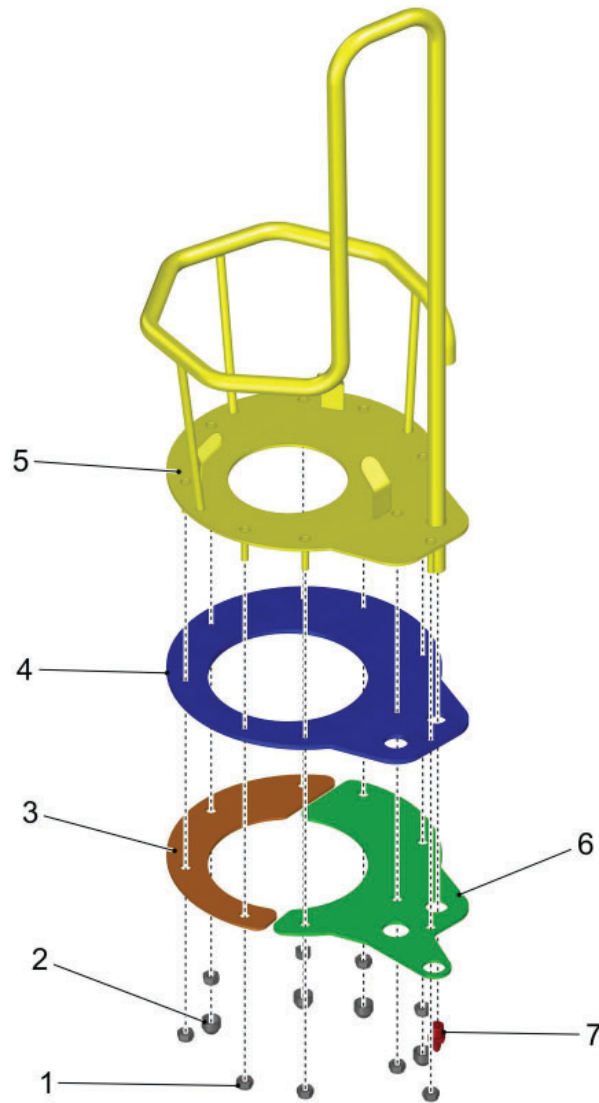
PARTS LIST - TANK STANDARD			
ITEM	PART NO.	QTY	DESCRIPTION
1	***	1	TANK STANDARD
2	***	1	TANK STANDARD
3	01000850	4	LENS FLANGE SCREW
4	11177179	2	LENS FLANGE SCREW
5	00854210	1	WASHER
6	01279800	1	BUSHING
7	14898019	2	APPROACH DISK
8	11177060	1	SC-BHCS W/ FLANGE M6 X 1.
9	***	1	TANK STANDARD
10	***	1	TANK STANDARD
11	***	1	TANK STANDARD
12	***	1	TANK STANDARD
13	***	1	TANK STANDARD
14	***	1	TANK STANDARD
15	00736200	1	HOSE CLAMP

Angle Sockets



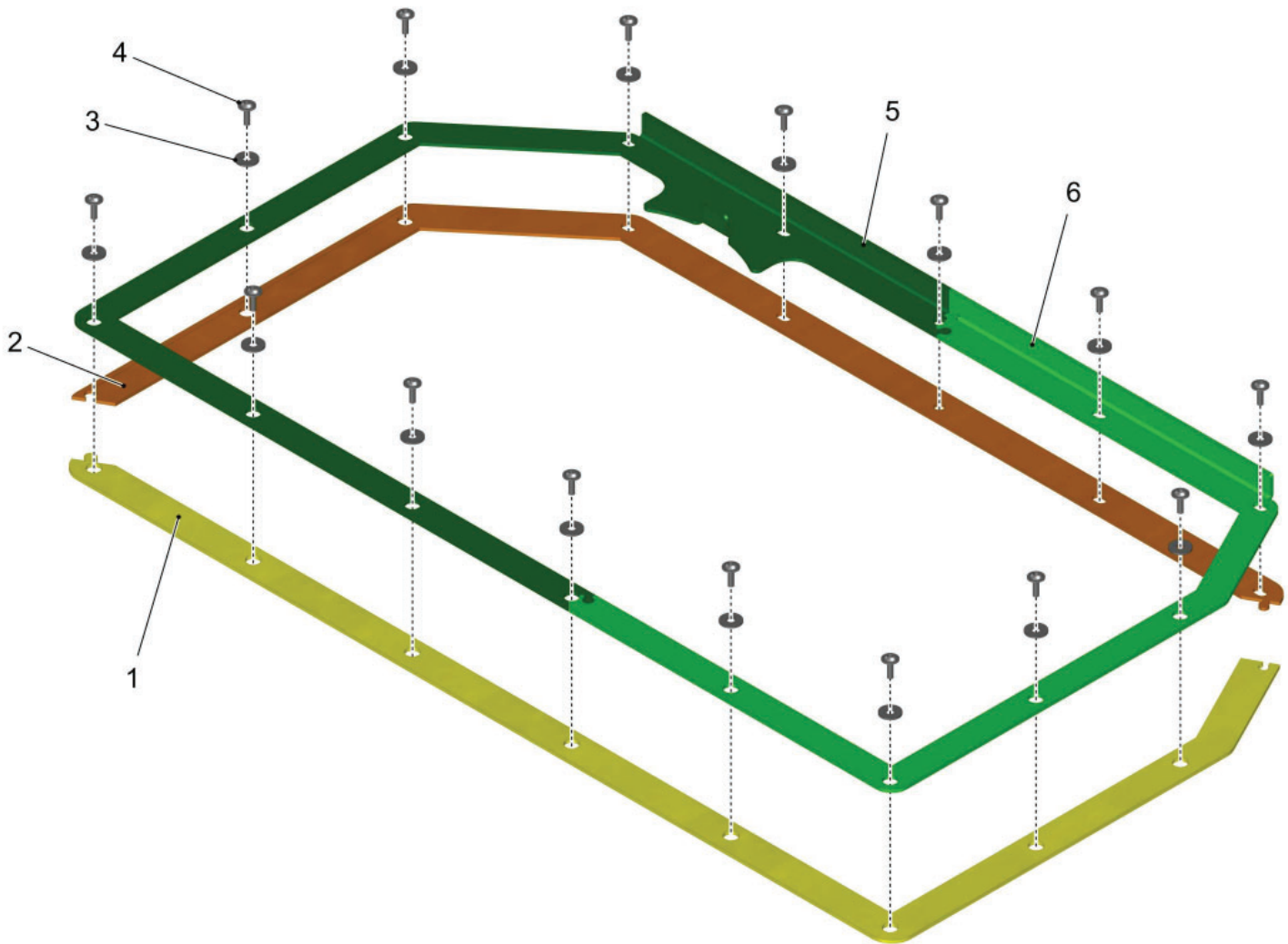
PARTS LIST - ANGLE SOCKETS			
ITEM	PART NO.	QTY	DESCRIPTION
1	90174970	1	ANGLE SOCKET
2	15286149	1	O-RING OIL RESIS
3	00059660	1	ANGLE SOCKET
4	01016050	1	O-RING OIL RESISTANT

Tank Standard

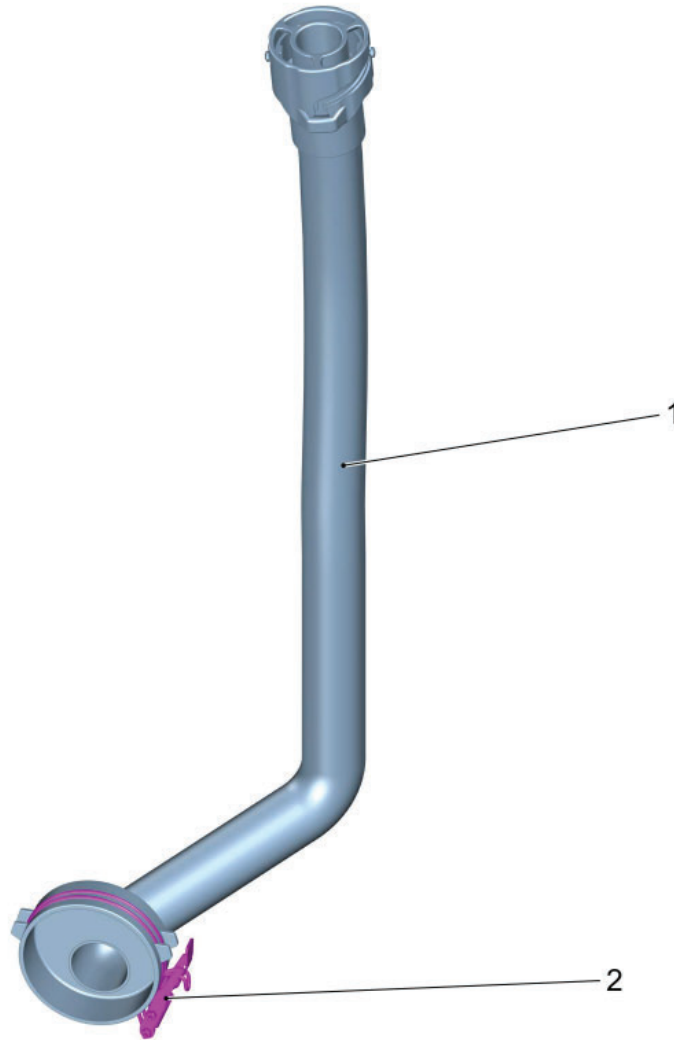


PARTS LIST - TANK STANDARD			
ITEM	PART NO.	QTY	DESCRIPTION
1	12040259	9	HEXAGON NUT
2	15592033	4	LENS
3	***	1	SPARE PART ON REQUEST
4	01381620	2	GASKET
5	***	1	SPARE PART ON REQUEST
6	***	1	SPARE PART ON REQUEST
7	01372670	1	SCREWED SOCKET

Tank Standard

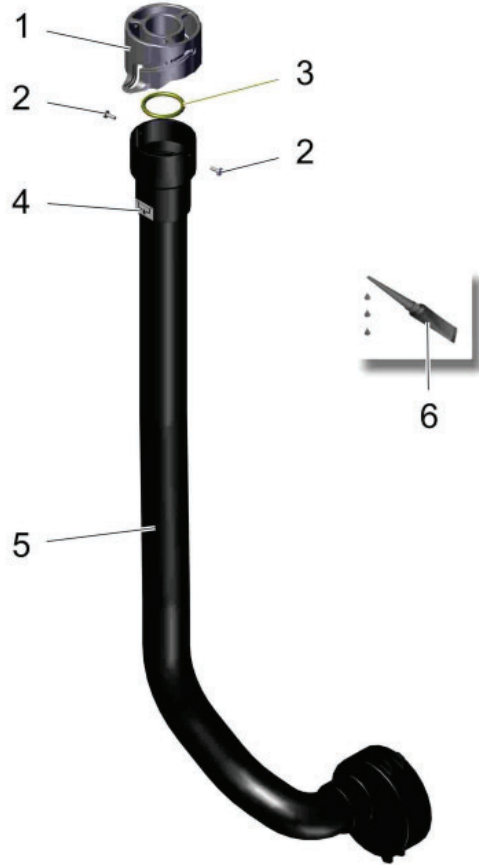


PARTS LIST - TANK STANDARD			
ITEM	PART NO.	QTY	DESCRIPTION
1	***	1	SPARE PART ON REQUEST
2	***	1	SPARE PART ON REQUEST
3	00854210	15	WASHER
4	11177060	15	SC-BHCS W/ FLANGE M6 X 1.
5	***	1	SPARE PART ON REQUEST
6	***	1	SPARE PART ON REQUEST



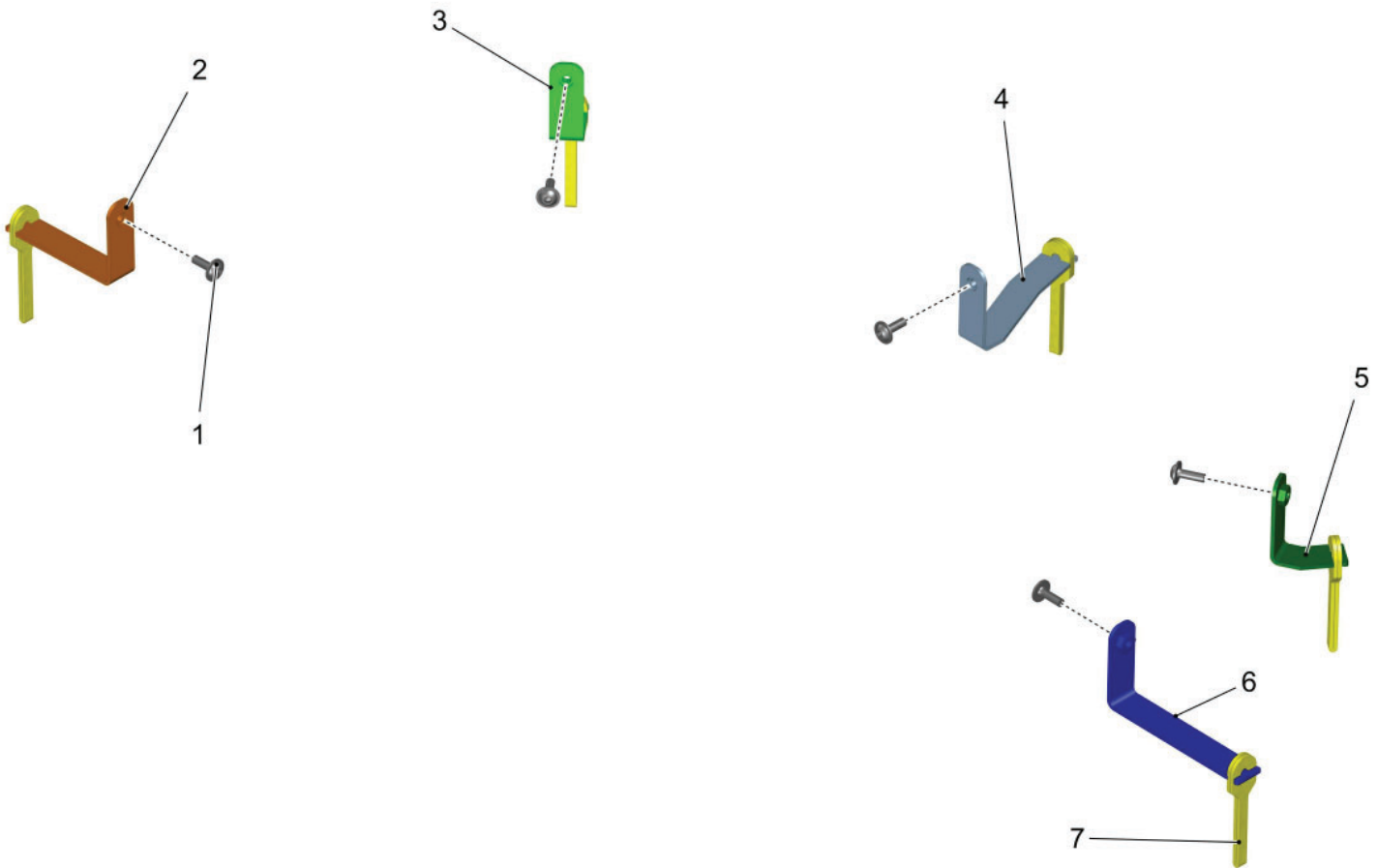
PARTS LIST - TANK STANDARD			
ITEM	PART NO.	QTY	DESCRIPTION
1	01372360	1	HOSE LONG
2	01374000	1	CLAMPING PIECE

Tank Standard



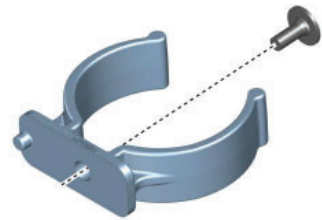
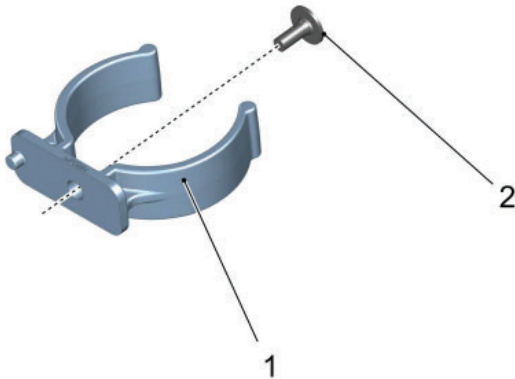
PARTS LIST - TANK STANDARD

ITEM	PART NO.	QTY	DESCRIPTION
1	00142230	1	COVER
2	00108650	2	SCREW, FILLISTER HEAD
3	01177960	1	O-RING
4	01170150	1	DECAL SOLUTION TANK
5	***	1	MUST BE PURCHASED AS ASSEMBLY
6	03009260	1	LOCTIDE SEALING COMPOUND



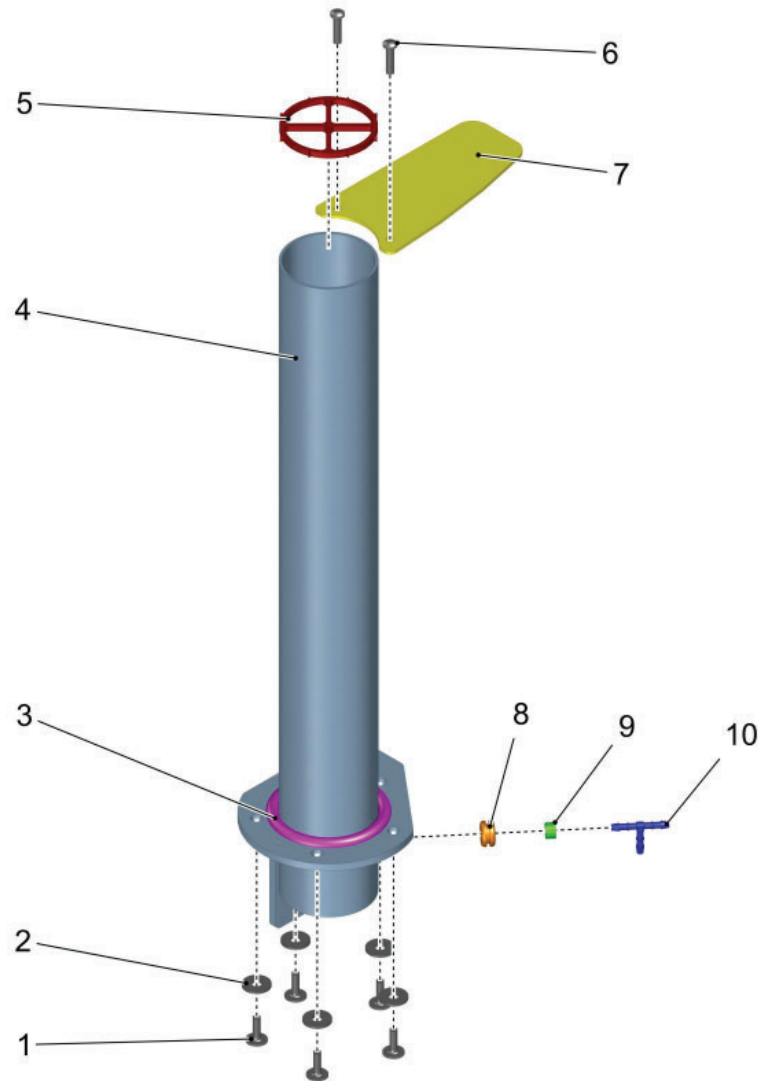
PARTS LIST - TANK STANDARD			
ITEM	PART NO.	QTY	DESCRIPTION
1	***	5	SPARE PART ON REQUEST
2	***	1	SPARE PART ON REQUEST
1	***	1	SPARE PART ON REQUEST
2	***	1	SPARE PART ON REQUEST
3	***	1	SPARE PART ON REQUEST
4	***	1	SPARE PART ON REQUEST
5	***	1	SPARE PART ON REQUEST
6	***	1	SPARE PART ON REQUEST
7	***	1	SPARE PART ON REQUEST

Tank Standard



PARTS LIST - TANK STANDARD

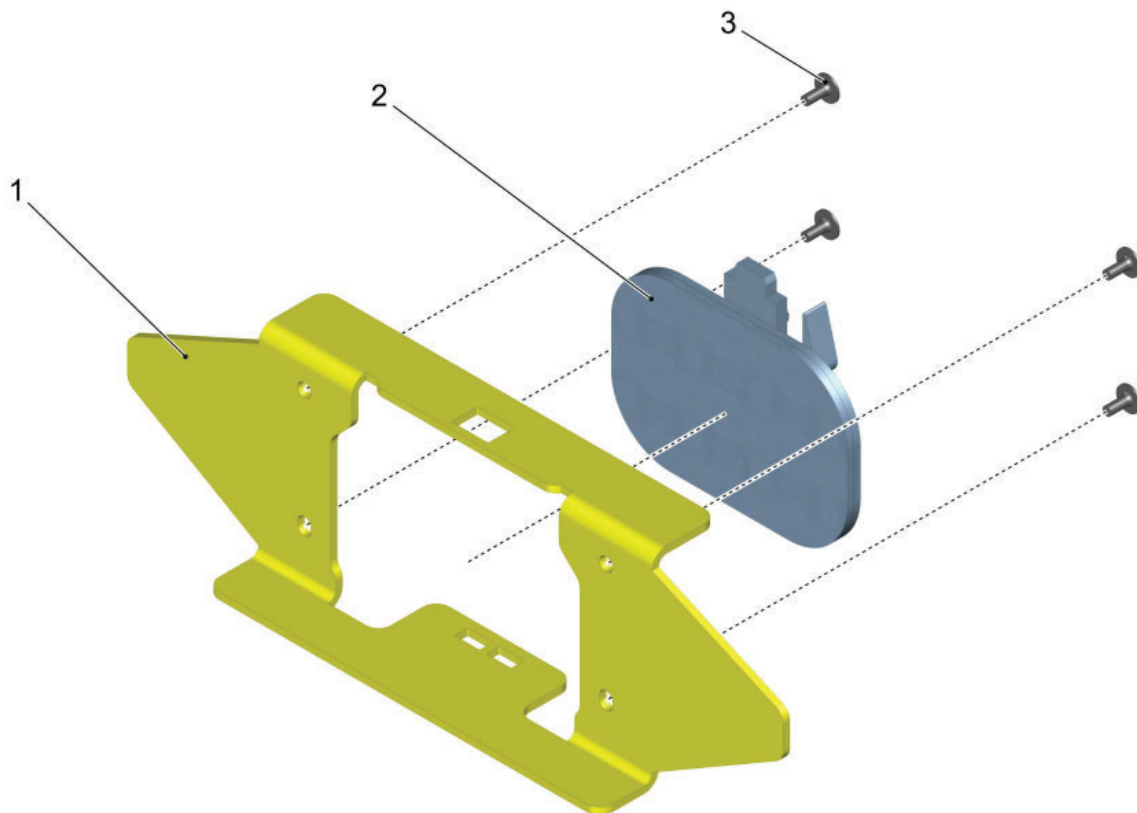
ITEM	PART NO.	QTY	DESCRIPTION
1	01375310	2	CLIP
2	01000850	2	LENS FLANGE SCREW



PARTS LIST - TANK STANDARD

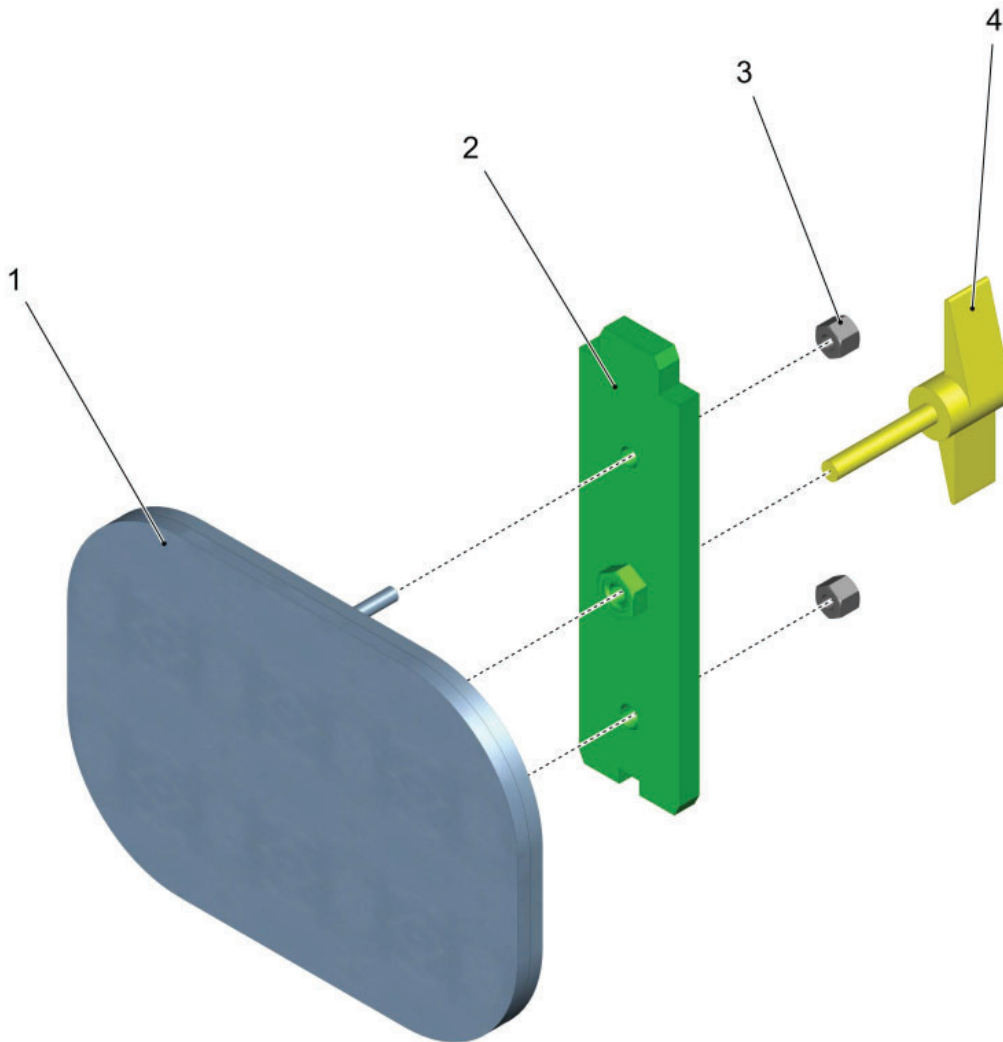
ITEM	PART NO.	QTY	DESCRIPTION
1	11177060	5	SC-BHCS W/ FLANGE M6 X 1.
2	00854210	5	WASHER
3	00070980	1	FOAM RUBBER RING
4	01381970	1	SUCTION PIPE
5	***	1	SPARE PART ON REQUEST
6	11709151	2	SCREW
7	***	1	SPARE PART ON REQUEST
8	01161440	1	BUSHING
9	01064890	0,005	HOSE
10	***	1	SPARE PART ON REQUEST

Tank Standard



PARTS LIST - TANK STANDARD			
ITEM	PART NO.	QTY	DESCRIPTION
1	***	1	SPARE PART ON REQUEST
2	***	1	INSPECTION OPENING
3	11177187	4	LENS FLANGE SCREW

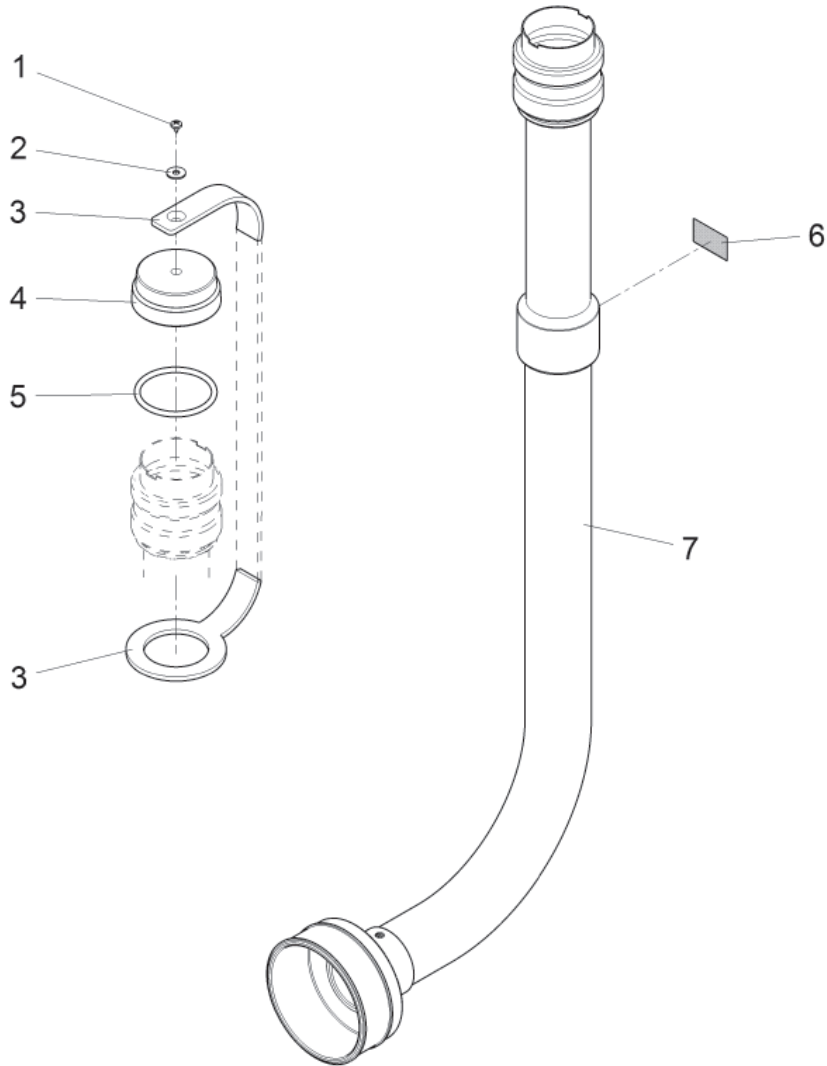
Inspection Opening



PARTS LIST - INSPECTION OPENING

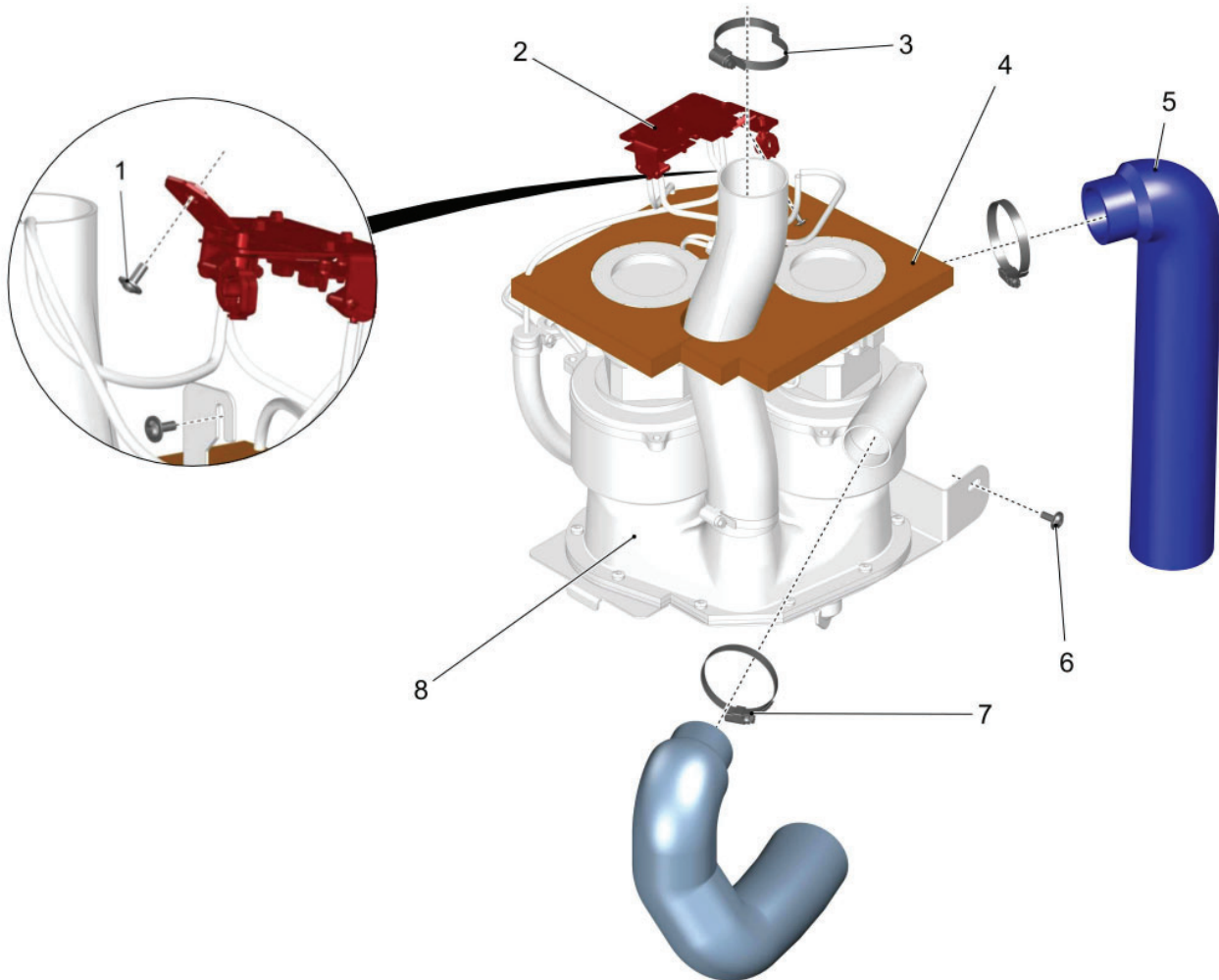
ITEM	PART NO.	QTY	DESCRIPTION
1	***	1	SPARE PART ON REQUEST
2	***	1	SPARE PART ON REQUEST
3	00951410	2	CAP NUT
4	00905560	1	WING SCREW

Hose Complete



PARTS LIST - HOSE COMPLETE			
ITEM	PART NO.	QTY	DESCRIPTION
1	01276390	1	TAPPING SCREW
2	00557150	1	WASHER
3	01276360	1	RETAINING STRAP
4	01276370	1	COVER
5	01276380	1	O-RING
6	17264888	1	DECAL FOUL WATER
7	***	1	MUST BE PURCHASED AS ASSEMBLY

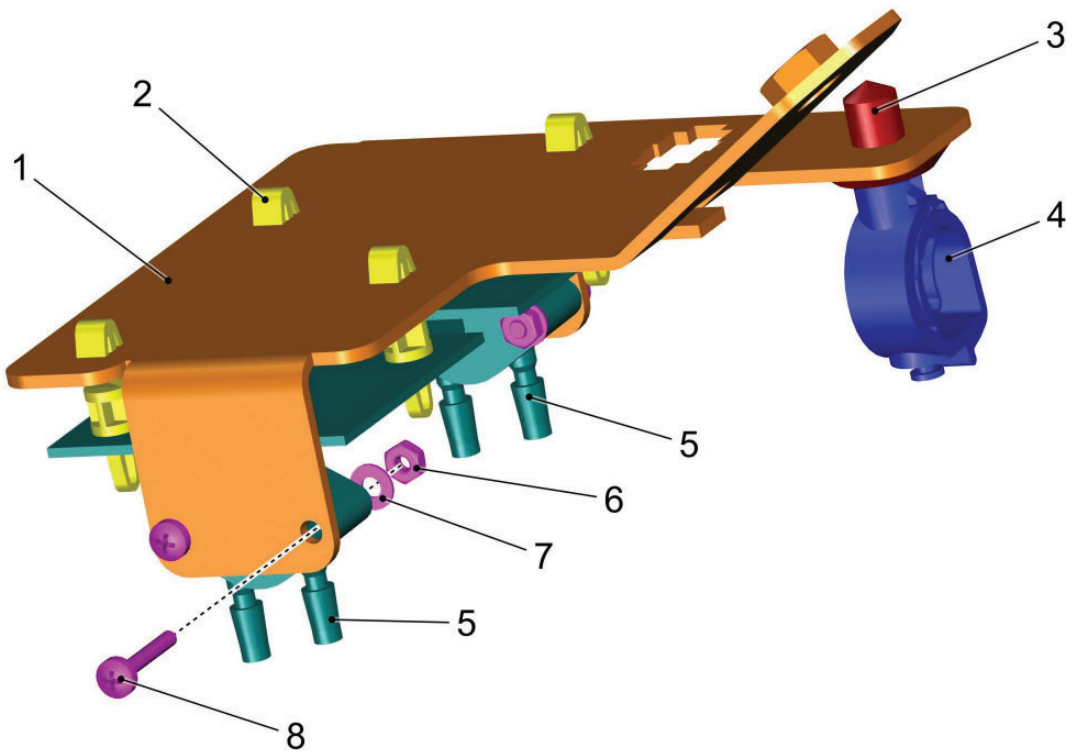
Tank Standard



PARTS LIST - TANK STANDARD

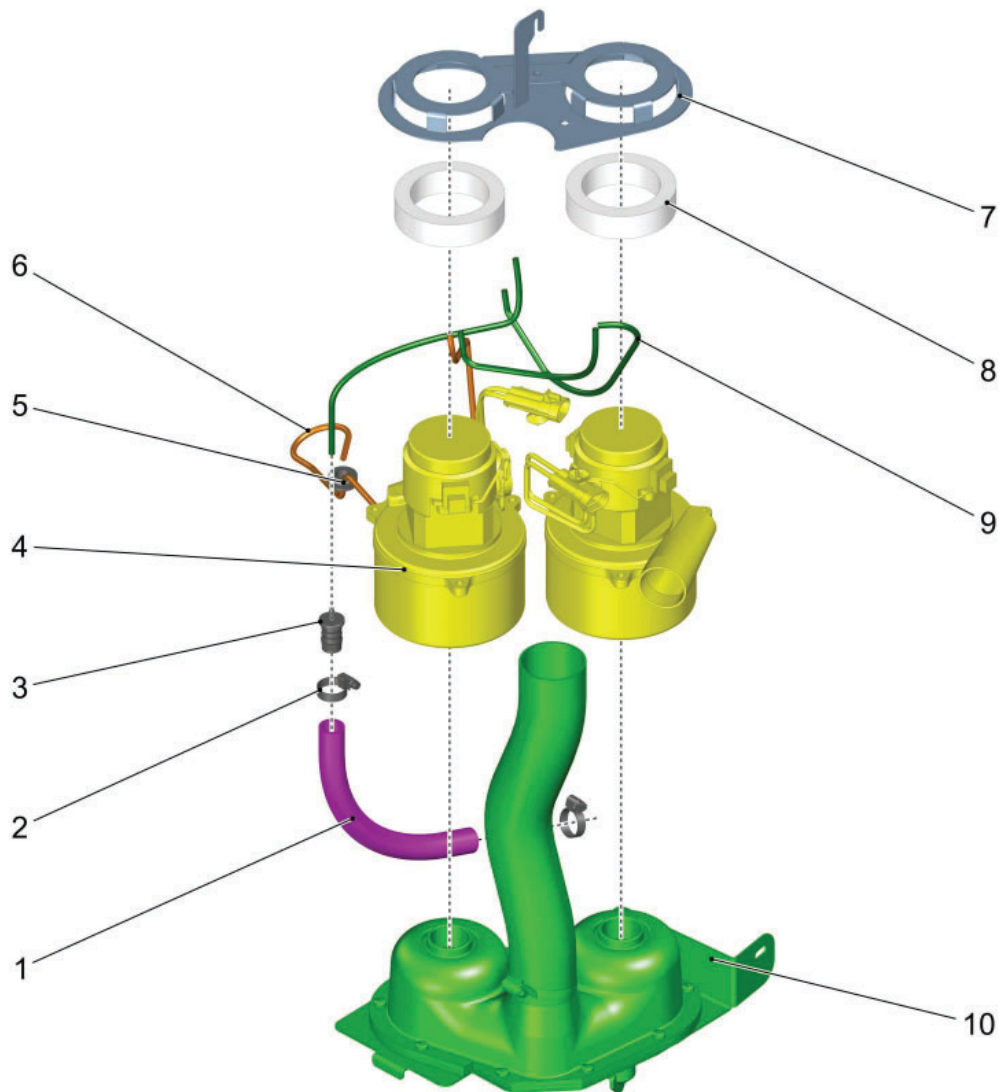
ITEM	PART NO.	QTY	DESCRIPTION
1	01000850	2	LENS FLANGE SCREW
2	***	1	PRESSURE SENSOR
3	01381710	1	SPIRAL COILED TUBE
4	01381740	1	INSULATION MAT
5	00471570	1	HOSE
6	11177128	1	LENS FLANGE SCREW
7	00751180	2	HOSE CLAMP
8	***	1	WATER TANK STANDARD

Pressure Sensor



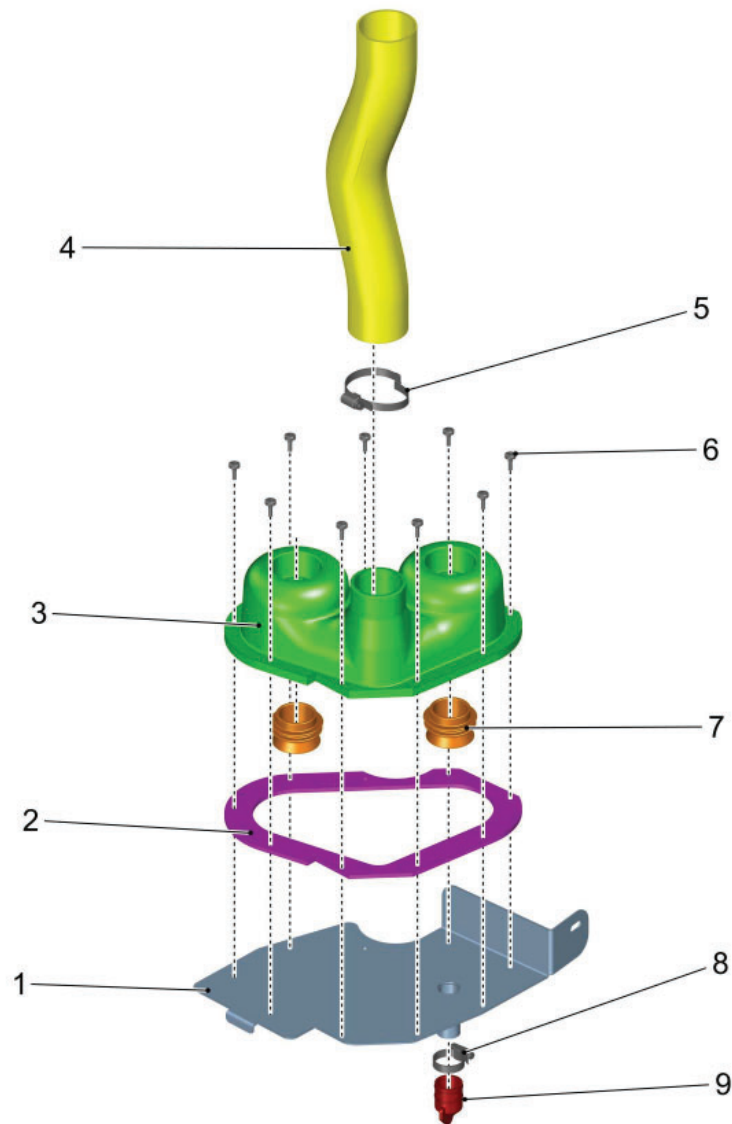
PARTS LIST - PRESSURE SENSOR			
ITEM	PART NO.	QTY	DESCRIPTION
1	***	1	SPARE PART ON REQUEST
2	00745840	4	PRINT PLATE HOLDER
3	01370240	1	MOUNTING FEET
4	01370250	1	RETAINER
5	01371480	2	PRESSURE SENSOR
6	00073270	4	HEX NUT
7	12310132	4	WASHER
8	00504550	4	FILLISTER-HEAD SCREW

Tank Standard



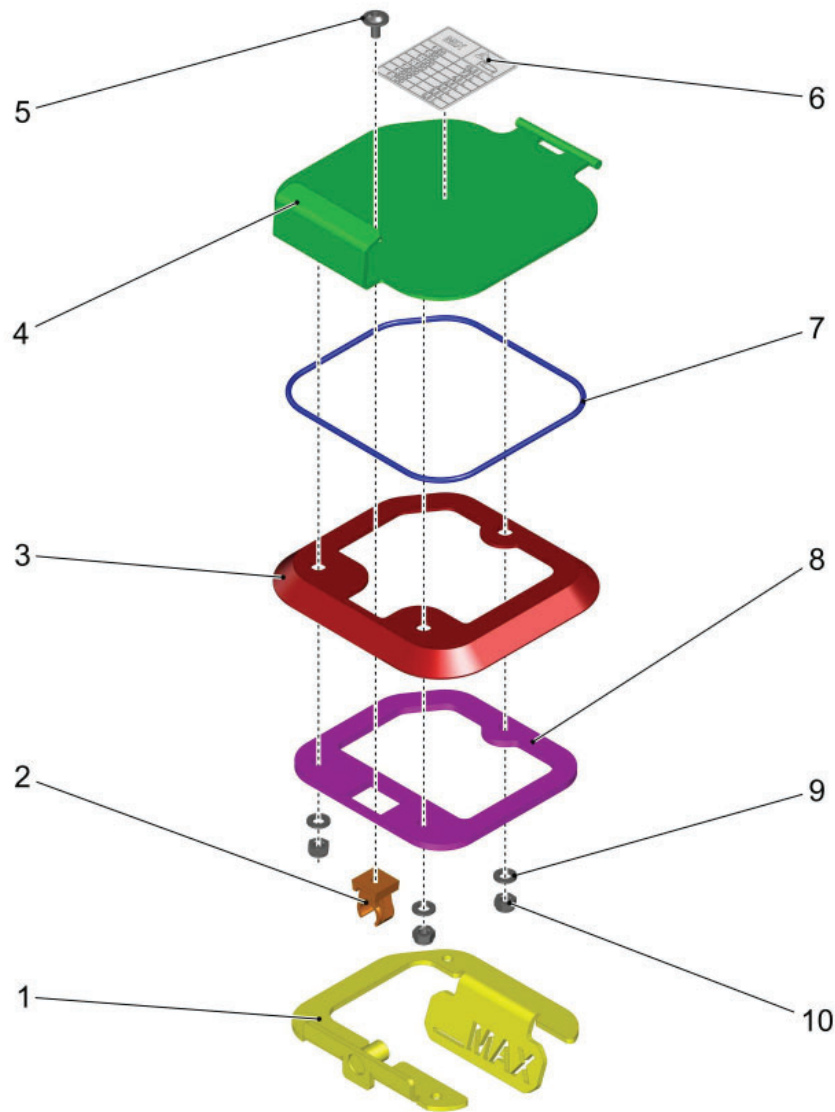
PARTS LIST - TANK STANDARD			
ITEM	PART NO.	QTY	DESCRIPTION
1	00671820	0,315	HOSE
2	00874590	2	HOSE CLAMP
3	***	1	SPARE PART ON REQUEST
4	01372140	2	SUCTION TURBINE
5	01142480	1	CABLE SLEEVE
6	01372290	0,200	HOSE
7	01382140	1	TURBINE SHEET METAL
8	01370870	2	SEALING RING
9	01372290	0,370	HOSE
10	***	1	VACUUM CHANNEL

Vacuum Channel



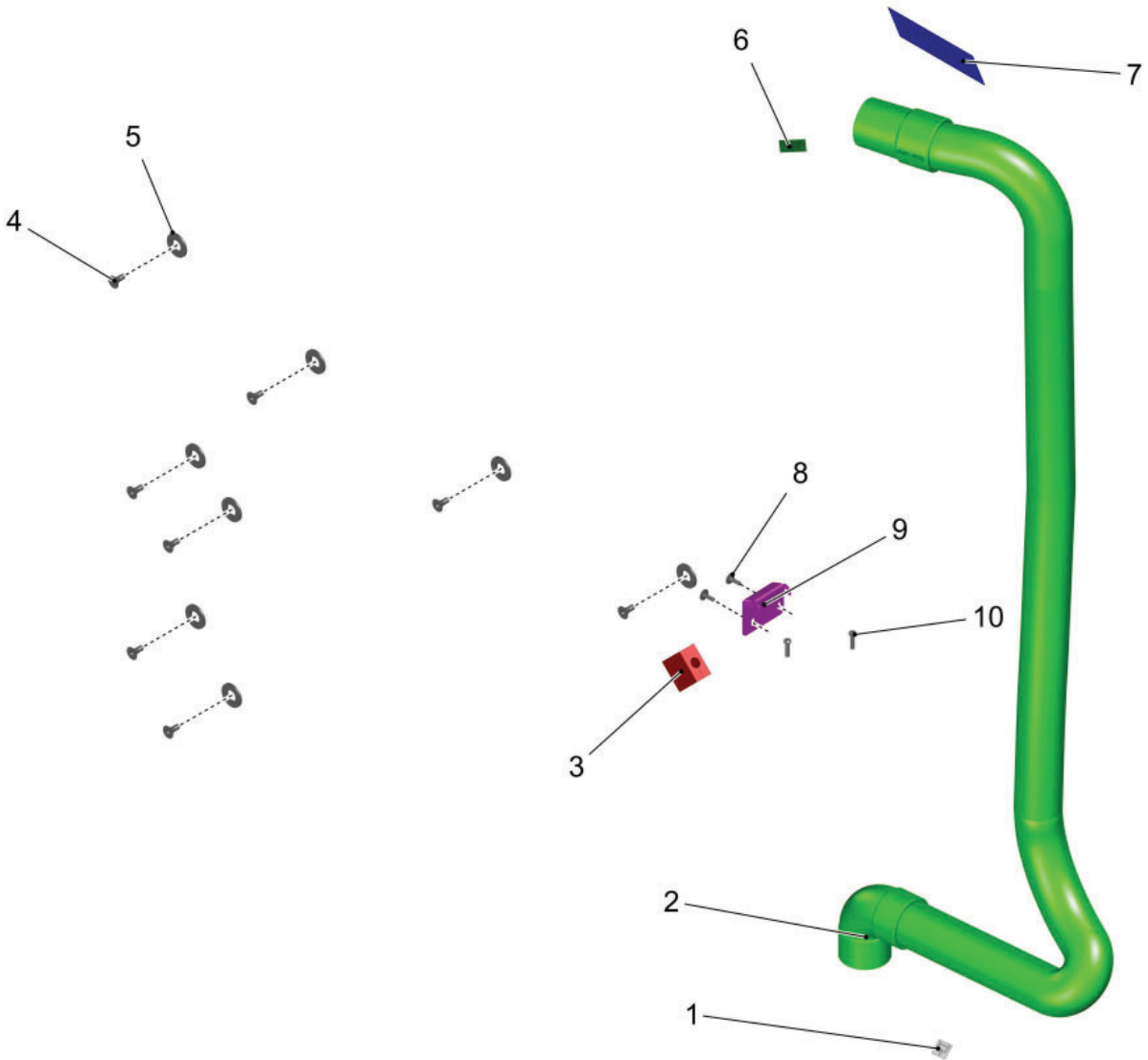
PARTS LIST - VACUUM CHANNEL			
ITEM	PART NO.	QTY	DESCRIPTION
1	***	1	SPARE PART ON REQUEST
2	01381800	1	GASKET
3	01382010	1	SUCTION CHANNEL
4	01381790	1	HOSE
5	01381710	1	SPIRAL COILED TUBE
6	00539730	9	SCREW
7	90503657	2	CONNECTION
8	00733160	1	HOSE CLAMP
9	00054560	1	VALVE

Filling Unit Standard



PARTS LIST - FILLING UNIT STANDARD			
ITEM	PART NO.	QTY	DESCRIPTION
1	01381060	1	FRAME
2	01496070	1	PIPE CLAMP
3	01381560	1	GASKET
4	***	1	SPARE PART ON REQUEST
5	11177179	1	LENS FLANGE SCREW
6	***	1	SPARE PART ON REQUEST
7	01381680	1	CORD GASKET
8	***	1	SPARE PART ON REQUEST
9	12310256	3	WASHER
10	00102140	3	HEXAGON NUT

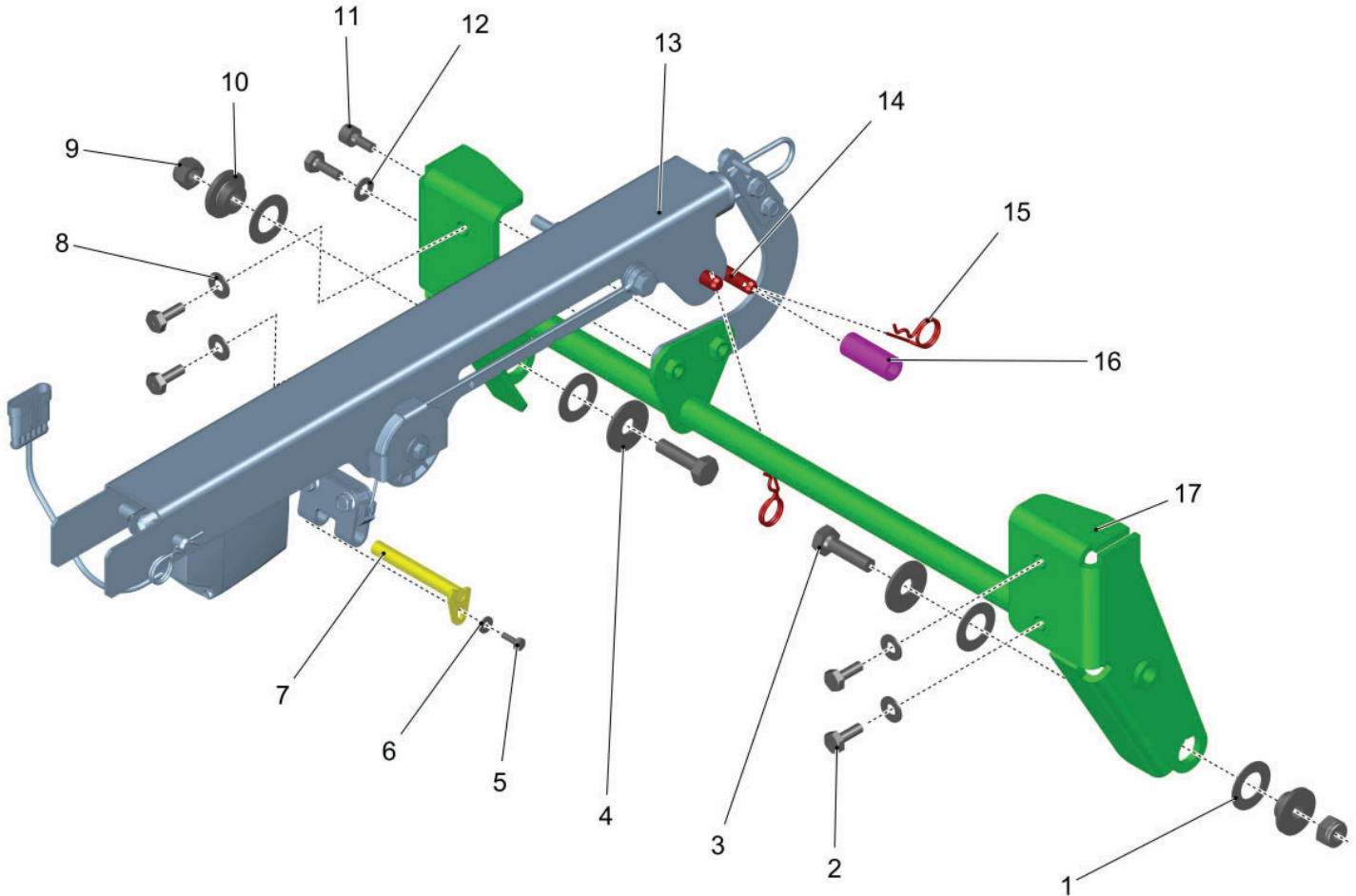
Tank Parts



PARTS LIST - TANK PARTS			
ITEM	PART NO.	QTY	DESCRIPTION
1	01170150	1	DECAL SOLUTION TANK
2	01380170	1	SUCTION HOSE
3	01381780	1	PLUG
4	00705440	8	SCREW
5	01291960	8	DETENT EDGED WASHER
6	17264888	1	DECAL FOUL WATER
7	***	1	SPARE PART ON REQUEST
8	01015340	2	LENS FLANGE SCREW
9	01381760	1	HINGE
10	11709151	2	SCREW

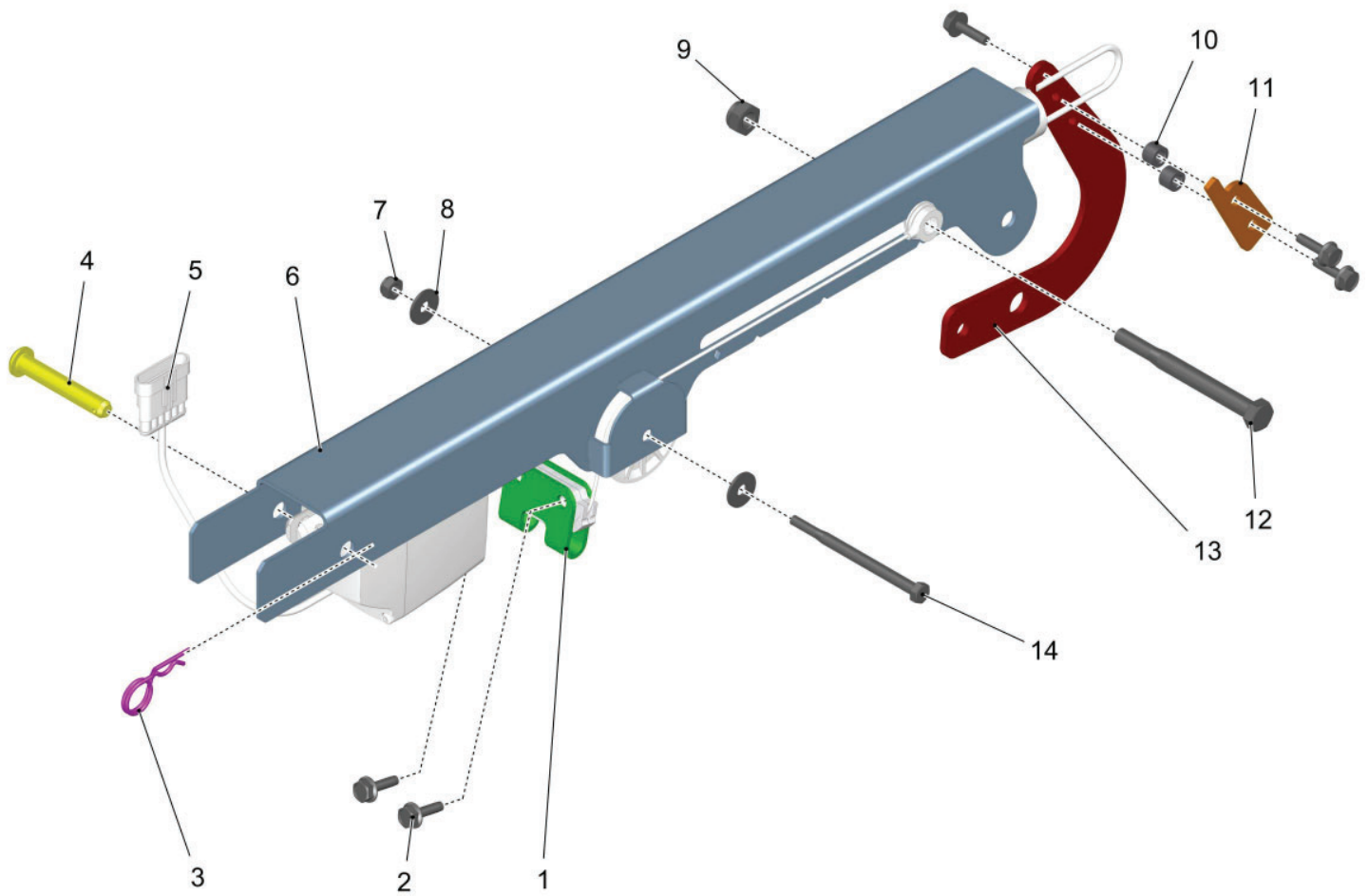
Working Tools

Brush Head Connection



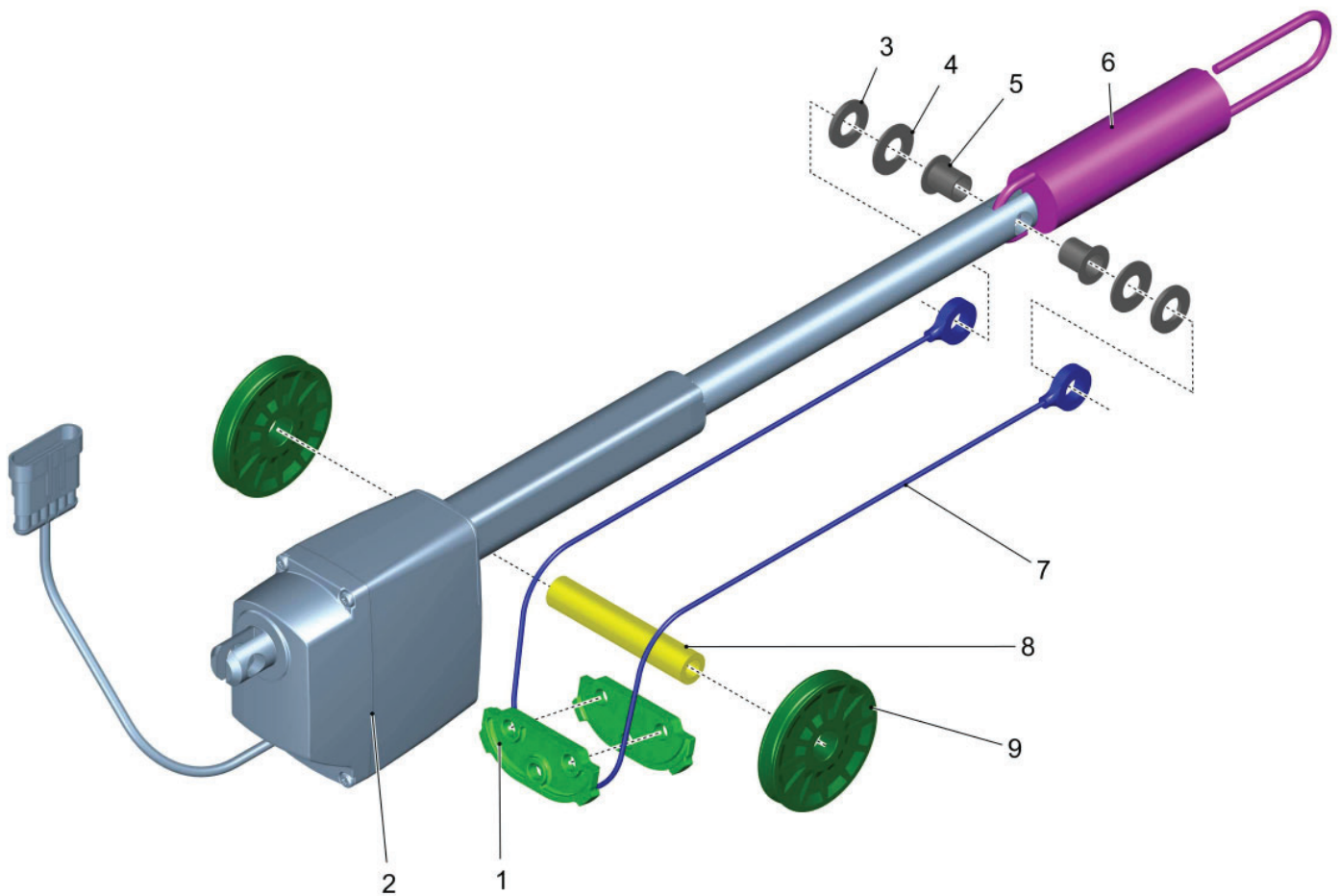
PARTS LIST - BRUSH HEAD CONNECTION			
ITEM	PART NO.	QTY	DESCRIPTION
1	01499130	4	STARTING DISC
2	11038346	5	HEX. BOLT
3	00731450	2	HEXAGON SCREW
4	00745600	2	WASHER
5	11038072	1	HEX BOLT
6	00730940	1	DETENT WASHER
7	01376630	1	BOLT
8	00740290	4	DETENT WASHER
9	01102650	2	HEXAGON NUT
10	01376470	2	BUSHING
11	00108590	1	SOCKET HEAD SCREW
12	12310058	1	WASHER
13	***	1	BRUSH HEAD LIFT
14	00879630	2	BOLT
15	00744820	2	SPRING COTTER
16	25842055	0,050	PVC HOSE
17	01382280	1	ROCKER LOWER

Brush Head Lift



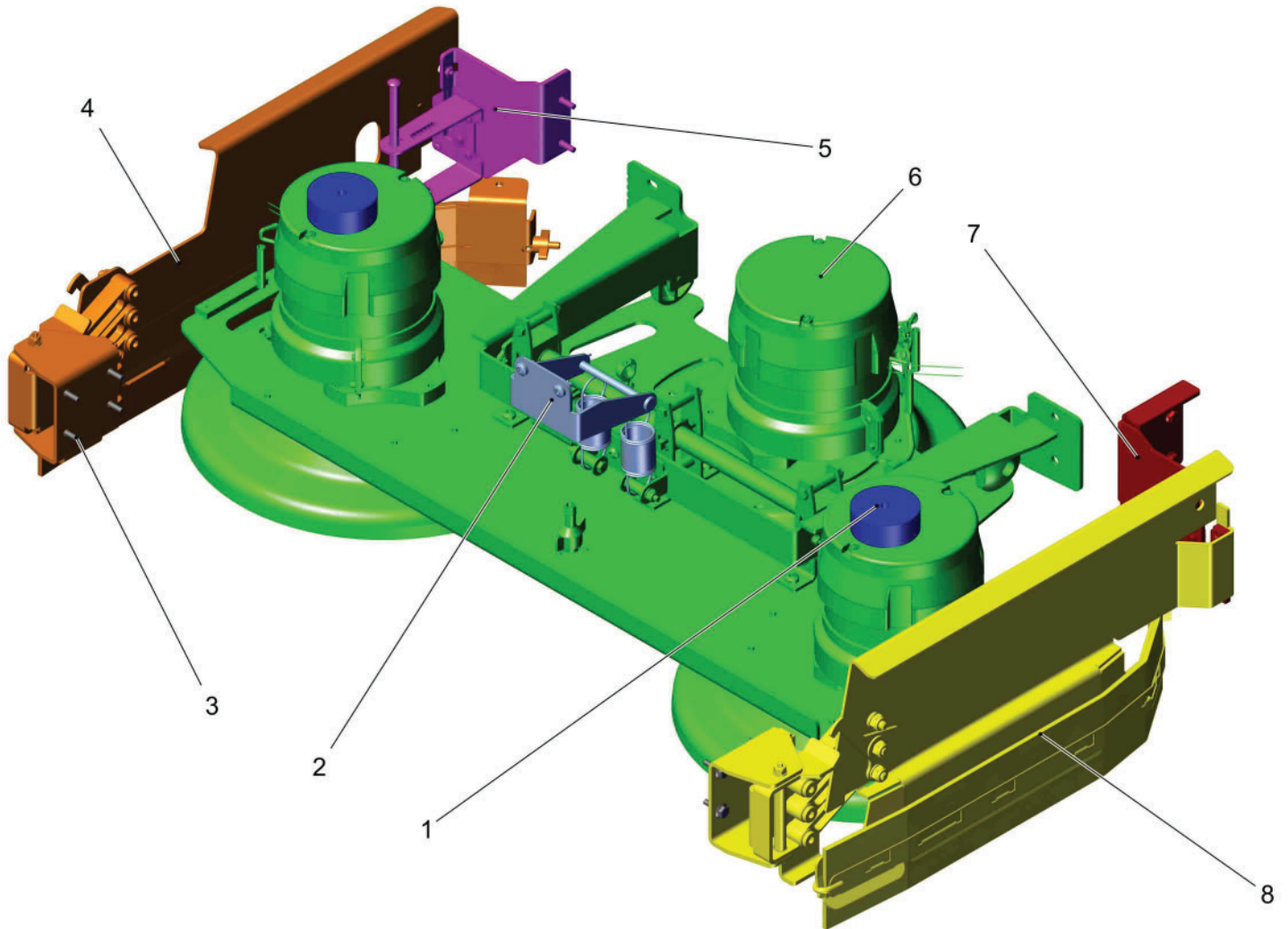
PARTS LIST - BRUSH HEAD LIFT			
ITEM	PART NO.	QTY	DESCRIPTION
1	01371050	1	ROLLER ASSEMBLY
2	01371040	5	SCREW
3	00744820	1	SPRING COTTER
4	13328851	1	BOLT
5	***	1	BRUSH HEAD LIFT
6	01382460	1	RECRUITMENT GUIDE
7	12040051	1	HEX. NUT
8	12332029	2	WASHER
9	12040077	1	HEX. NUT
10	01135600	2	SLIDE BEARING BUSH
11	01382670	1	RETAINING WASHER
12	00025300	1	HEXAGON SCREW
13	01382550	1	PROOF LEVER
14	00053150	1	HEX.BOLT

Brush Head Lift



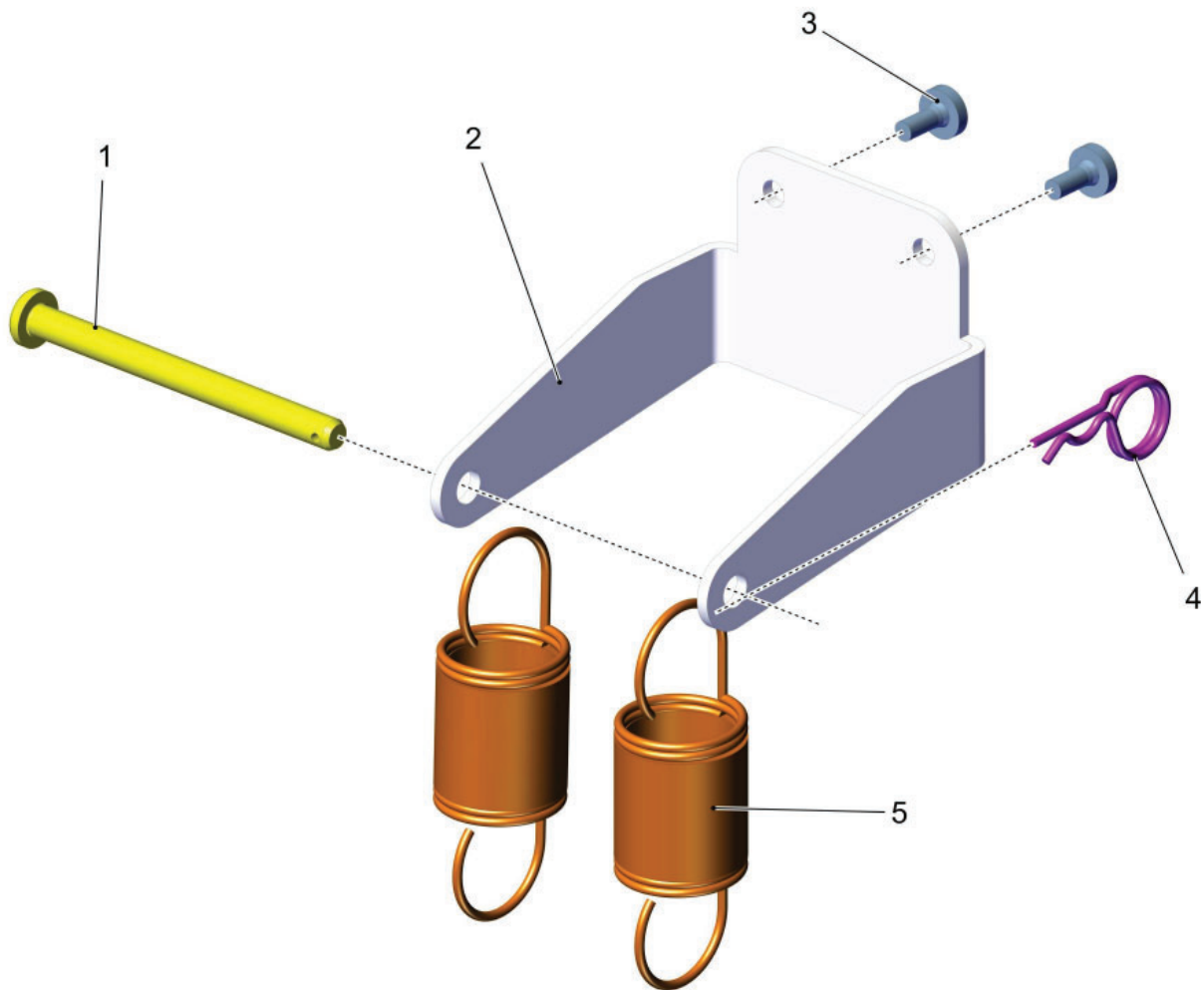
PARTS LIST - BRUSH HEAD LIFT			
ITEM	PART NO.	QTY	DESCRIPTION
1	01371070	2	CABLE GUIDE
2	01370110	1	LIFTING ELEMENT
3	12310066	2	WASHER
4	14898019	2	APPROACH DISK
5	01072930	2	SLIDE BEARING BUSH
6	01382230	1	PRESSURE SPRING
7	01380740	1	ROPE
8	01372810	1	PIPE
9	00521270	2	ROLLER

Disk Brush Head 1230



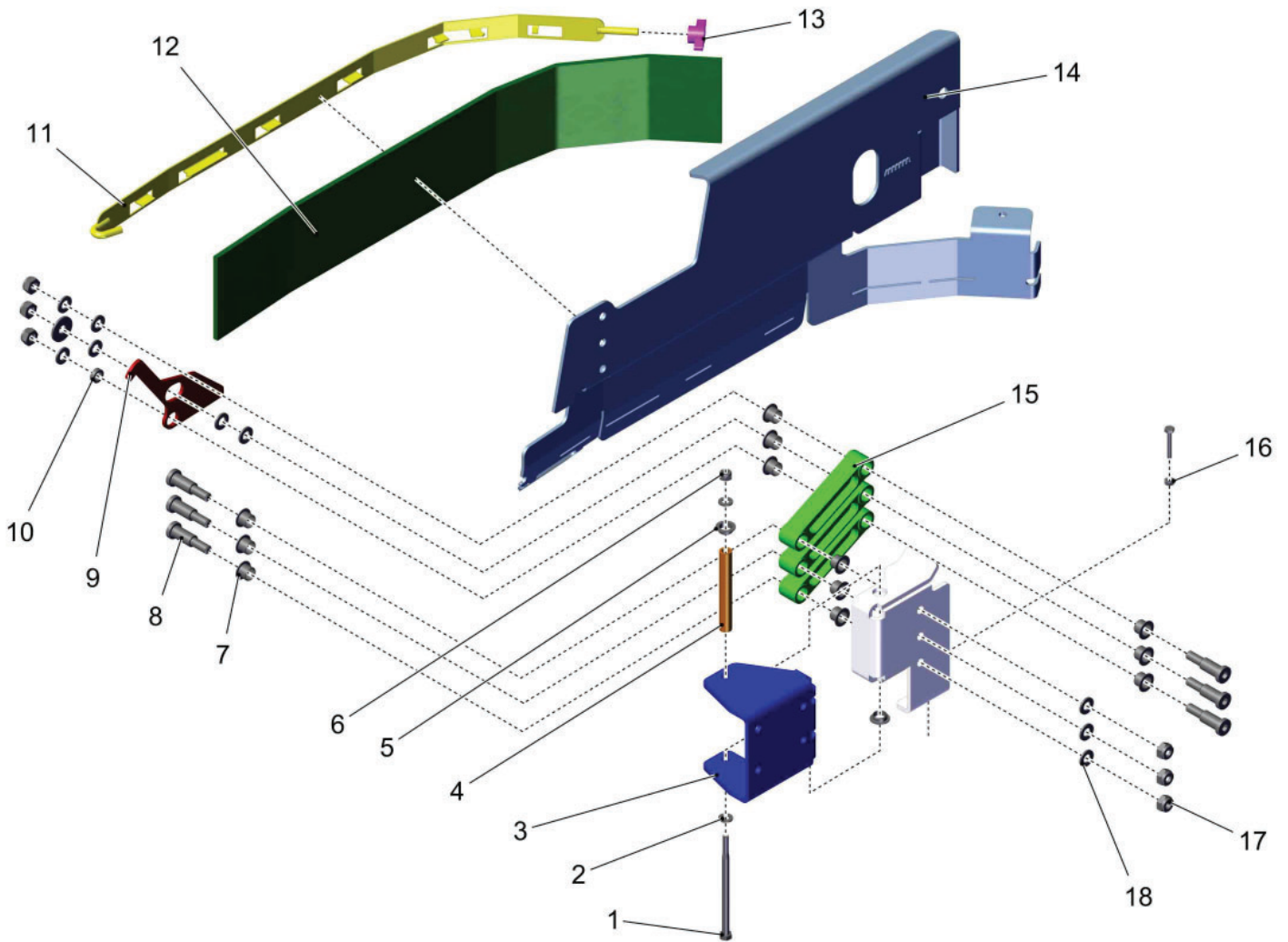
PARTS LIST - DISK BRUSH HEAD 1230			
ITEM	PART NO.	QTY	DESCRIPTION
1	01278160	2	BUFFER
2	***	1	DISK BRUSH HEAD 1230
3	00959230	8	HEX BOLT (M8X25)
4	***	1	SIDE WIPER R.H. DISK BRUSH HEAD 1230
5	***	1	DISK BRUSH HEAD 1230
6	***	1	DISK BRUSH HEAD 1230
7	***	1	DISK BRUSH HEAD 1230
8	***	1	SIDE WIPER L.H. DISK BRUSH HEAD 1230

Disk Brush Head 1230



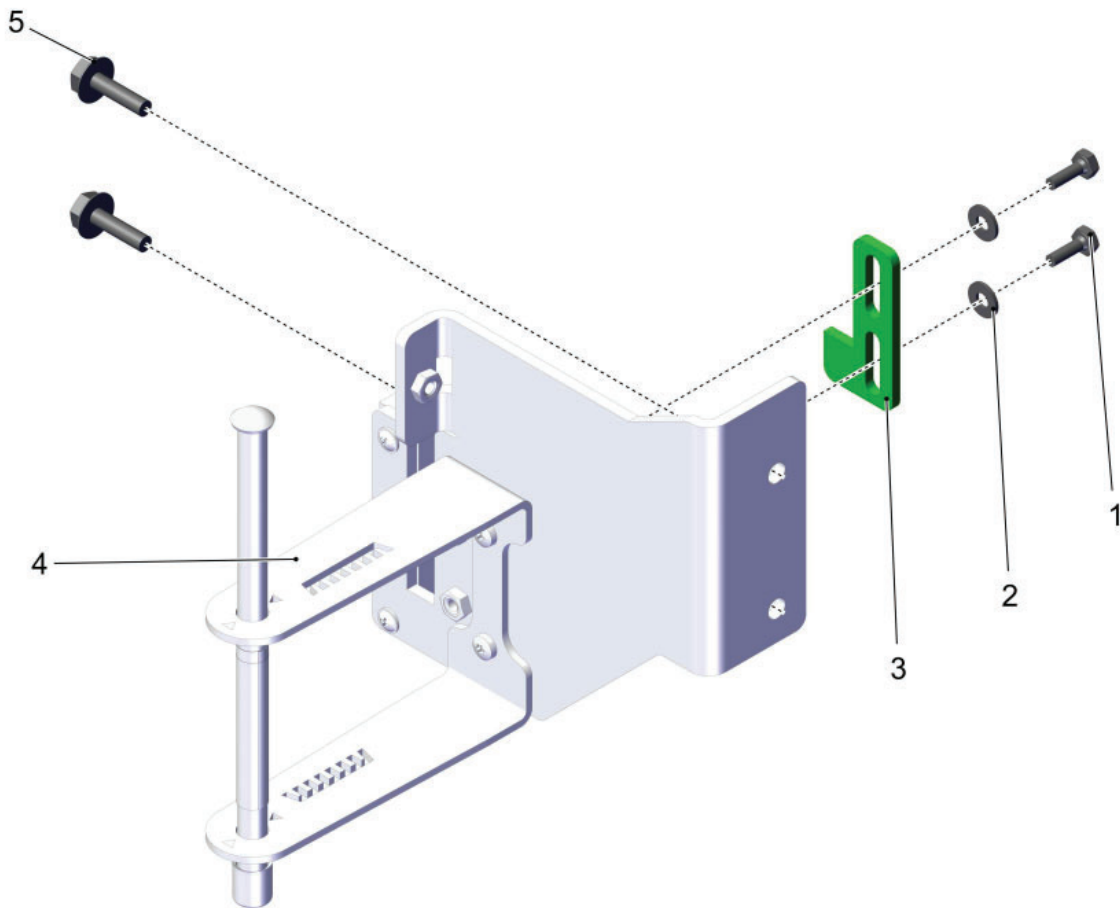
PARTS LIST - DISK BRUSH HEAD 1230			
ITEM	PART NO.	QTY	DESCRIPTION
1	00055190	1	BOLT
2	01382680	1	RESTORING DEVICE
3	01272710	2	LENS HEAD SCREW
4	00744820	1	SPRING COTTER
5	01375680	2	TENSION SPRING

Side Wiper R.H. Disk Brush Head 1230



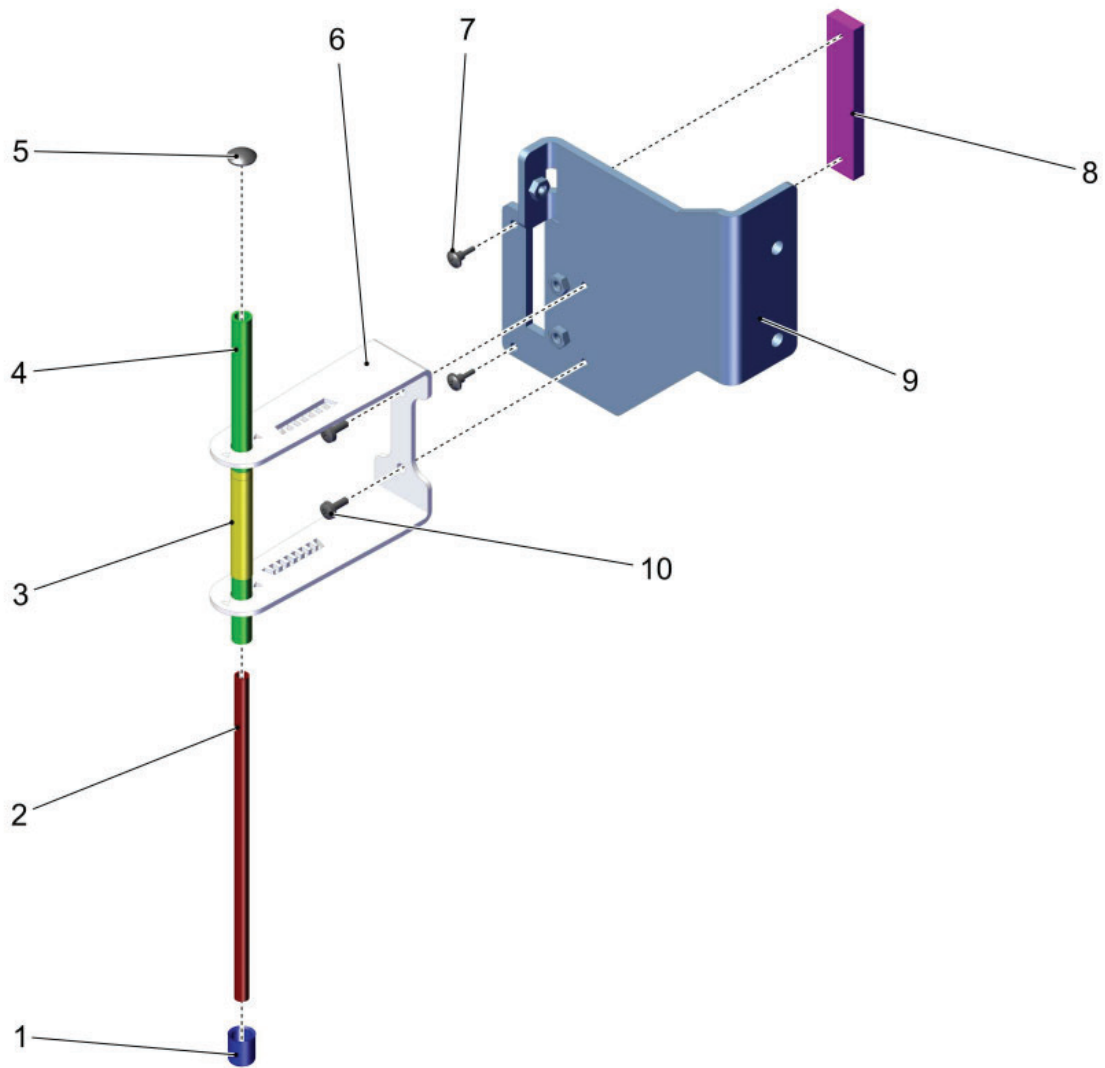
PARTS LIST - SIDE WIPER R.H. DISK BRUSH HEAD 1230			
ITEM	PART NO.	QTY	DESCRIPTION
1	00153780	1	HEX BOLT
2	12310041	2	WASHER
3	01380810	1	RETAINER
4	01382690	1	PIPE
5	01130080	2	SLIDE BEARING BUSH
6	12040051	1	HEX. NUT
7	01073860	12	SLIDE BEARING BUSH
8	01374100	6	FITTING SCREW
9	01381150	1	HOOK
10	01073900	1	SPACER SLEEVE
11	01373970	1	TENSION BAND LONG
12	01077040	1	SQUEEGEE STRIP
13	01111970	1	WING NUT
14	01380820	1	SQUEEGEE R.H. TB 1230
15	01073870	3	LEVER
16	12022042	1	HEX NUT
17	01145160	6	HEXAGON NUT
18	12310058	9	WASHER

Disk Brush Head 1230



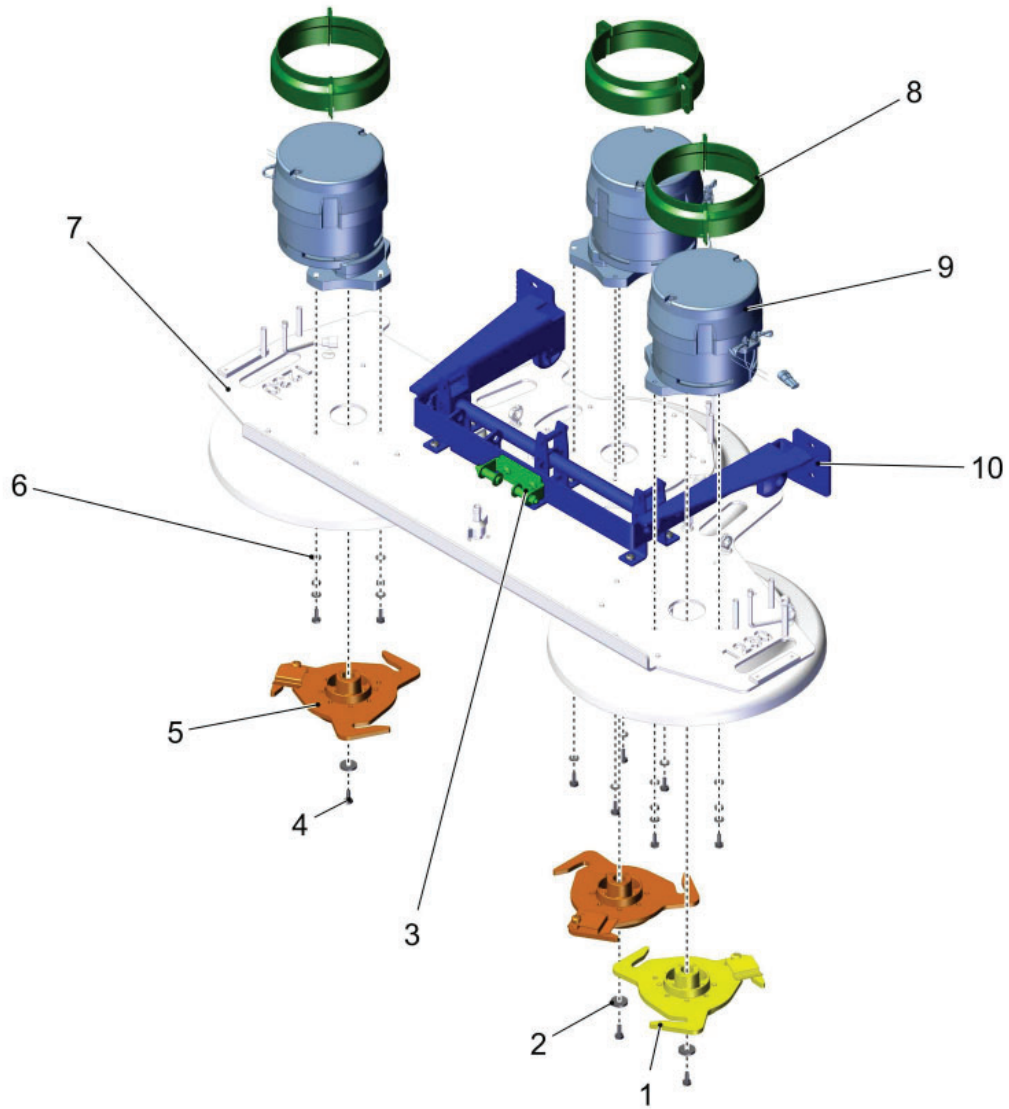
PARTS LIST - DISK BRUSH HEAD 1230			
ITEM	PART NO.	QTY	DESCRIPTION
1	11038072	2	HEX BOLT
2	00730940	2	DETENT WASHER
3	01382920	1	ADJUSTING PLATE
4	***	1	WEAR INDICATOR
5	00959230	2	HEX BOLT (M8X25)

Wear Indicator



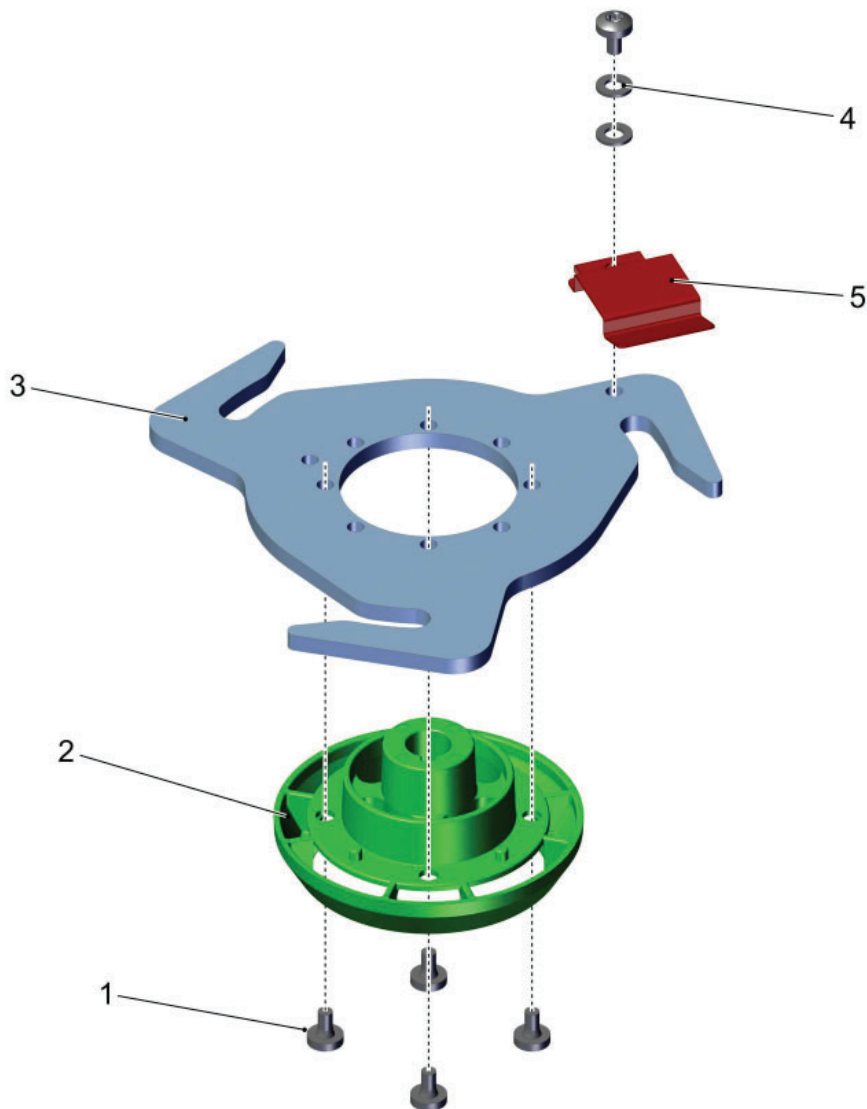
PARTS LIST - WEAR INDICATOR			
ITEM	PART NO.	QTY	DESCRIPTION
1	01142460	1	PROTECTION CAP
2	01373610	1	PIPE
3	01111880	1	DECAL ABBA
4	00711670	0,210	HOSE
5	00695280	1	THRUST WASHER
6	01382700	1	WEAR GUIDE
7	00905520	2	ROUND HEAD SCREW
8	01382850	1	LINK BLOCK
9	***	1	SPARE PART ON REQUEST
10	00959220	2	SCREW

Disk Brush Head 1230



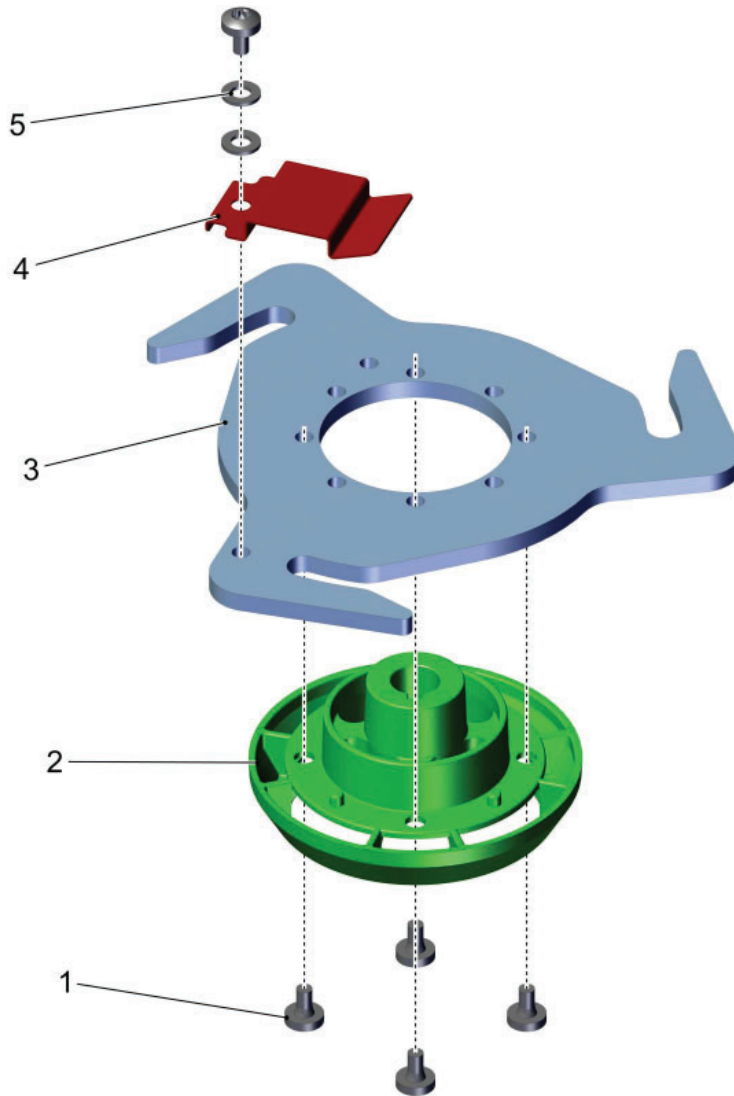
PARTS LIST - DISK BRUSH HEAD 1230			
ITEM	PART NO.	QTY	DESCRIPTION
1	***	1	BRUSH CARRIER R.H.
2	90209537	3	WASHER
3	***	1	DISK BRUSH HEAD 1230
4	00704610	15	HEX BOLT
5	***	1	BRUSH CARRIER L.H.
6	12310041	12	WASHER
7	***	1	DISK BRUSH HEAD 1230
8	***	1	DISK BRUSH HEAD 1230
9	01271070	3	MOTOR AMER 710W 36V
10	***	1	HEAD ROCKER

Brush Carrier R.H.



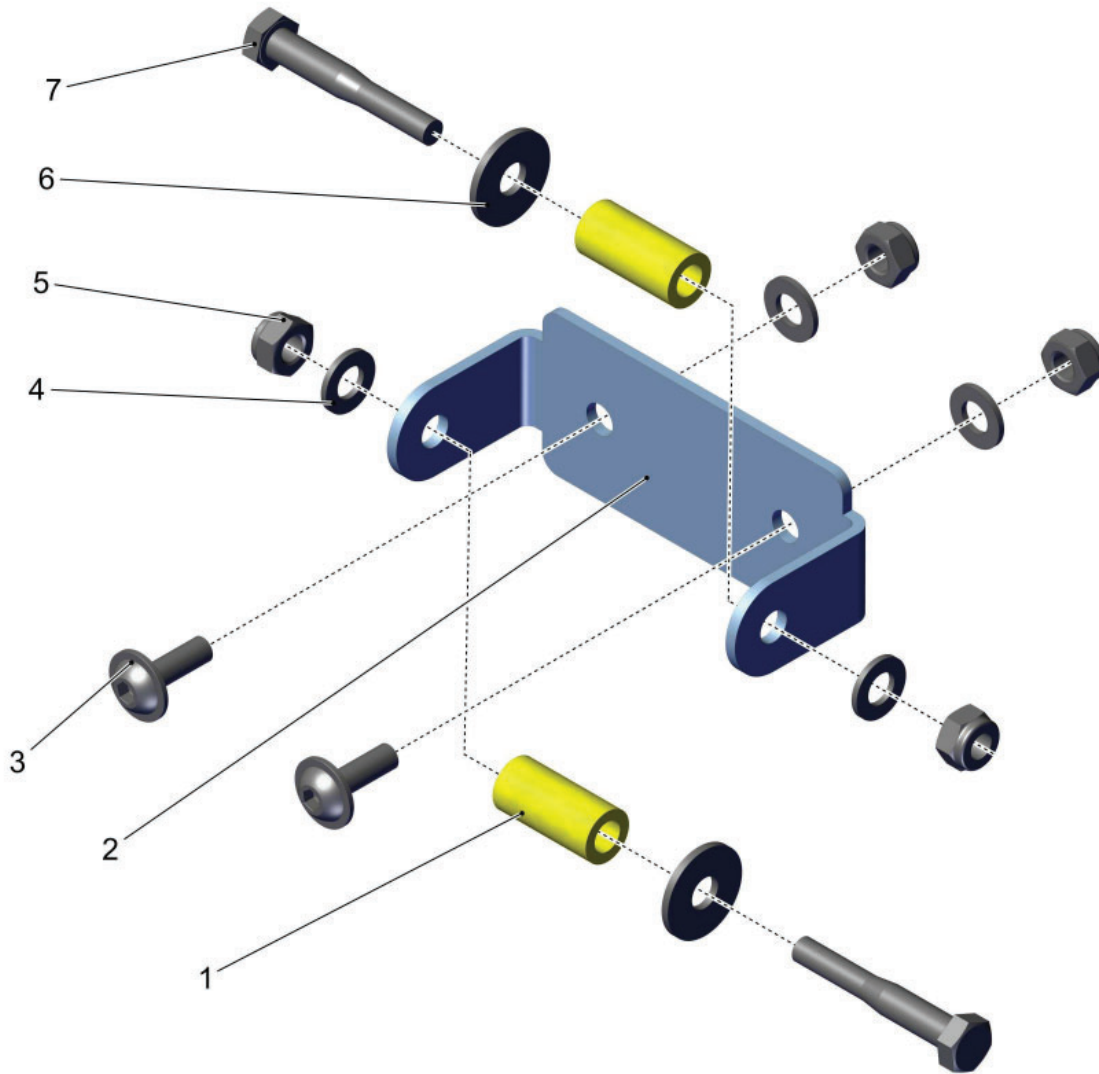
PARTS LIST - BRUSH CARRIER R.H.			
ITEM	PART NO.	QTY	DESCRIPTION
1	01382330	5	LENS HEAD SCREW
2	01382340	1	BRUSH DRIVER (CARRIER)
3	01382350	1	DRIVER PLATE
4	12310041	2	WASHER
5	01382270	1	DETENT SPRING

Brush Carrier L.H.

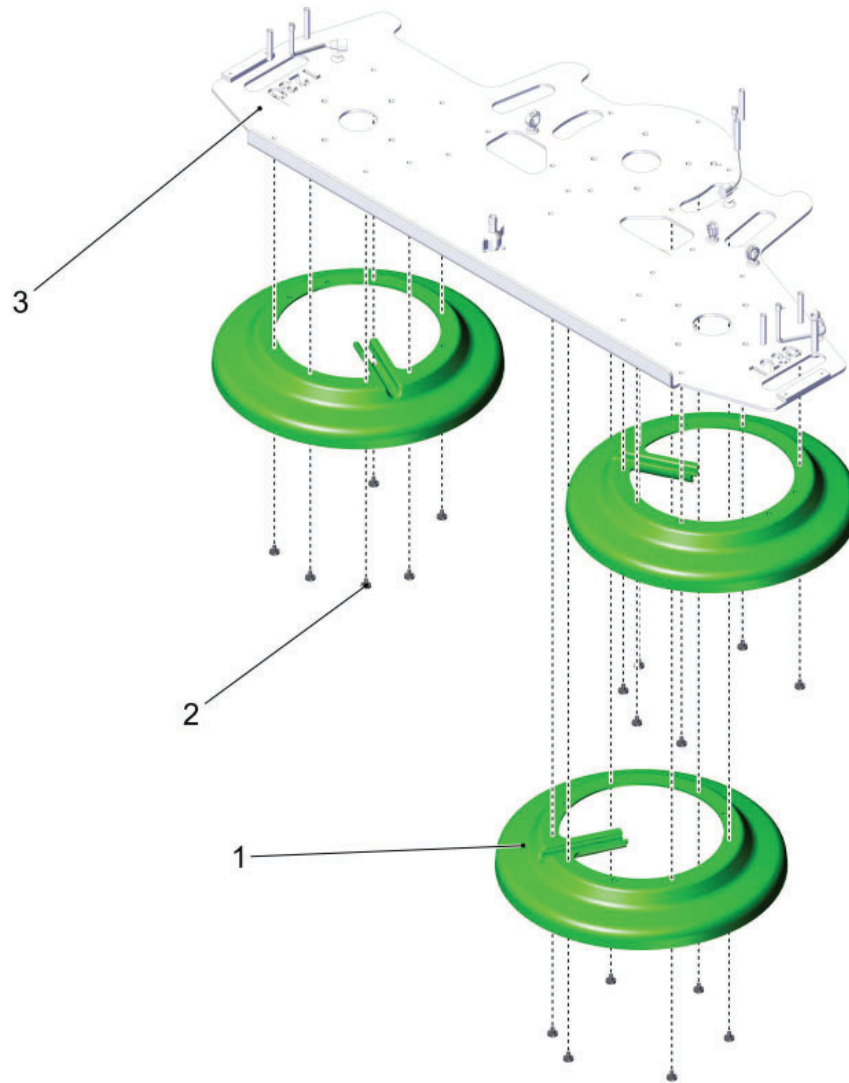


PARTS LIST - BRUSH CARRIER L.H.			
ITEM	PART NO.	QTY	DESCRIPTION
1	01382330	5	LENS HEAD SCREW
2	01382340	1	BRUSH DRIVER (CARRIER)
3	01382350	1	DRIVER PLATE
4	01382270	1	DETENT SPRING
5	12310041	2	WASHER

Disk Brush Head 1230

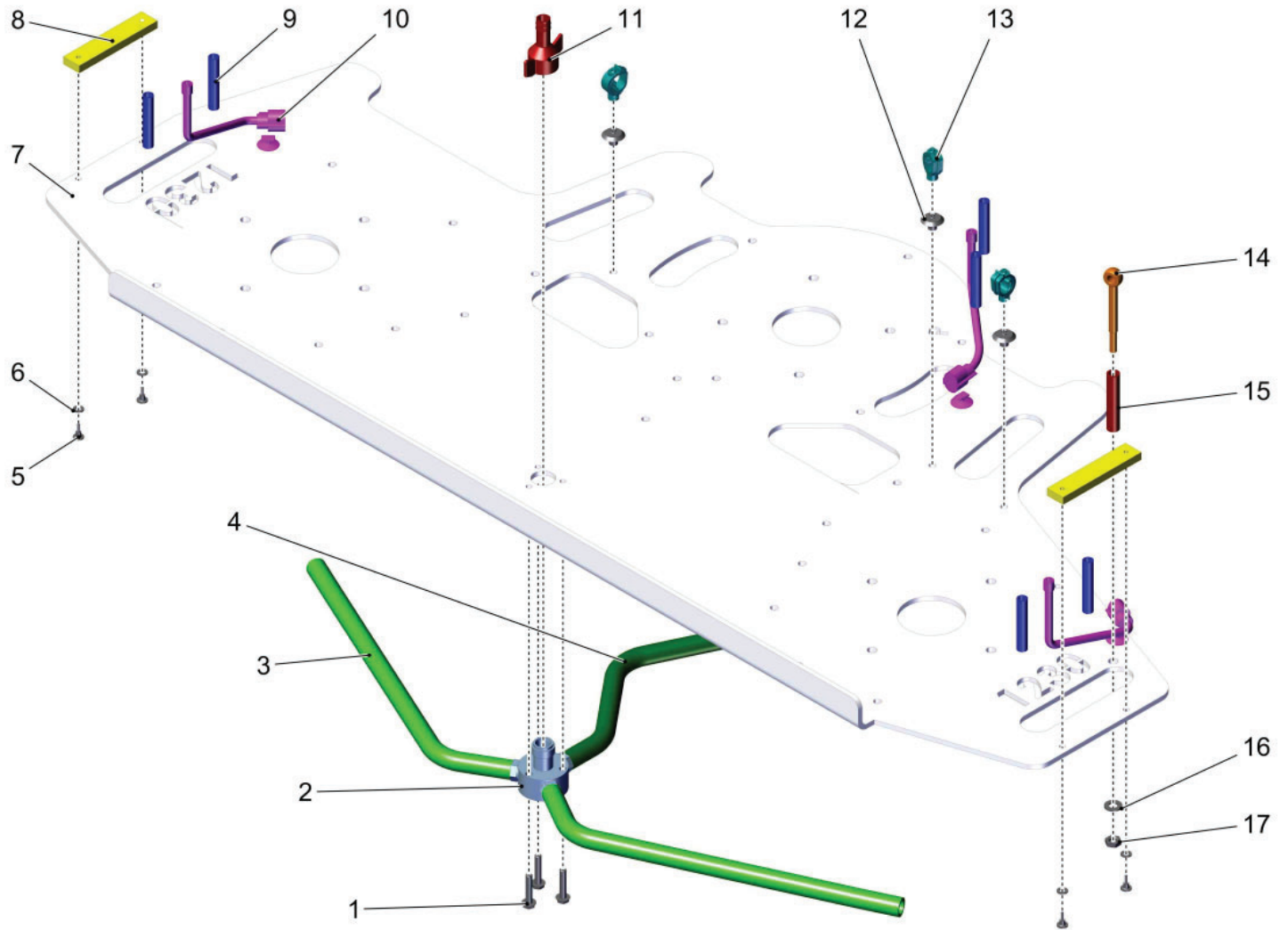


PARTS LIST - DISK BRUSH HEAD 1230			
ITEM	PART NO.	QTY	DESCRIPTION
1	01271700	2	BUSHING
2	01382730	1	RESTORING DEVICE
3	11177136	2	LENS FLANGE SCREW
4	12310041	4	WASHER
5	12040051	4	HEX. NUT
6	12332029	2	WASHER
7	00138180	2	HEX BOLT



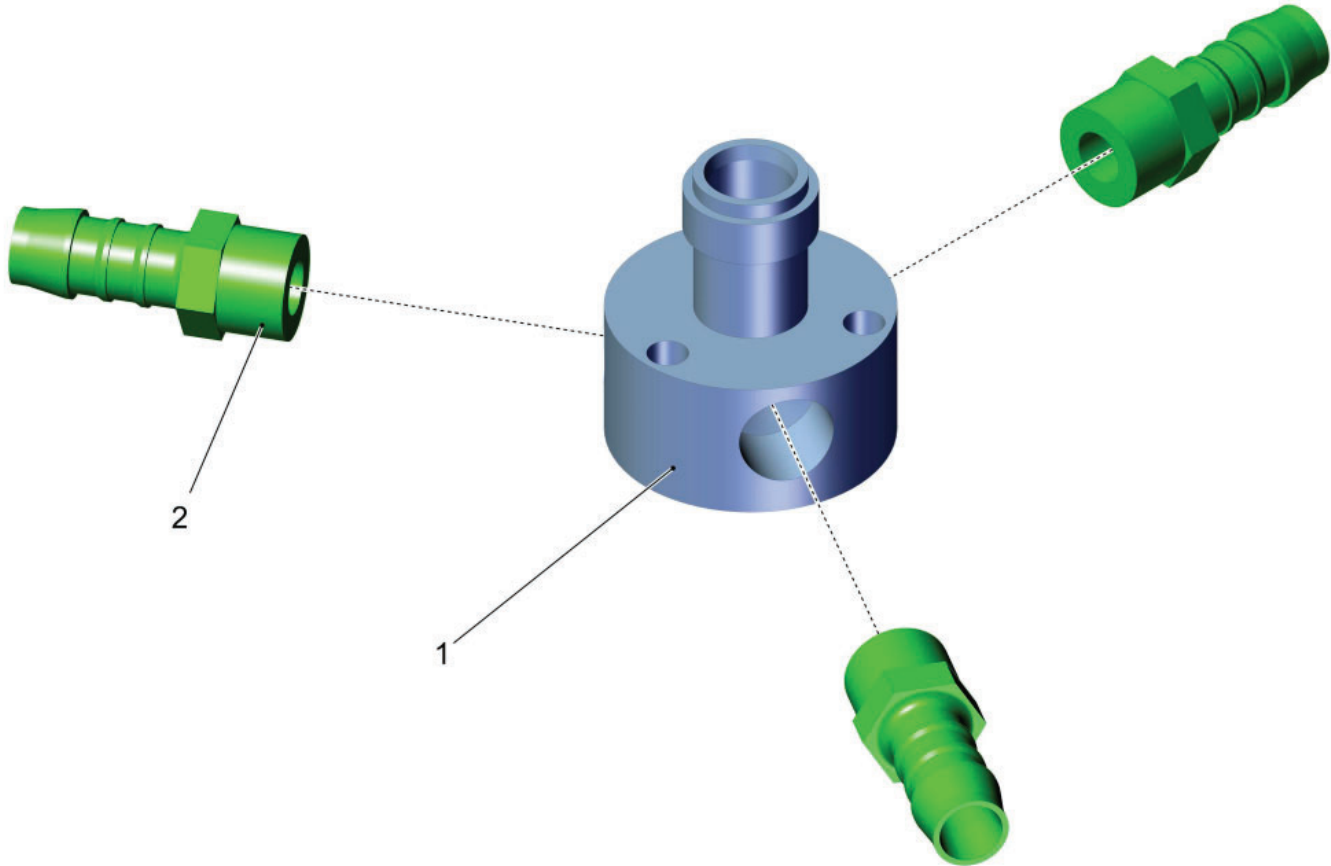
PARTS LIST - DISK BRUSH HEAD 1230			
ITEM	PART NO.	QTY	DESCRIPTION
1	01376100	3	COVERING
2	01382330	18	LENS HEAD SCREW
3	***	1	DISK BRUSH HEAD 1230

Disk Brush Head 1230



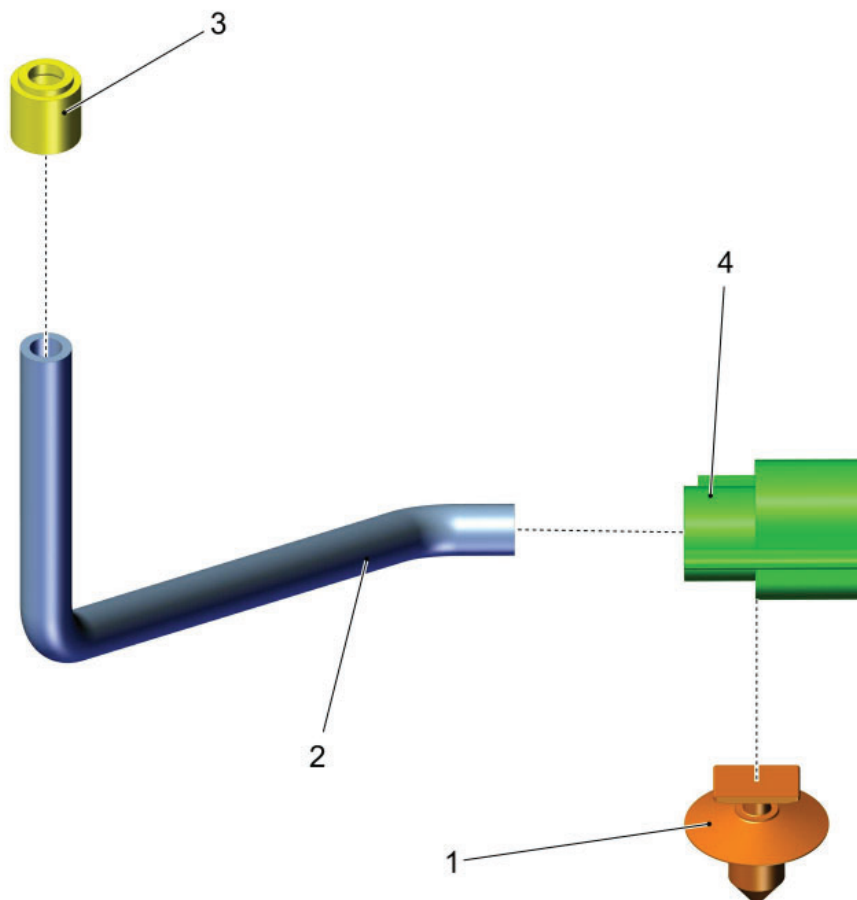
PARTS LIST - DISK BRUSH HEAD 1230			
ITEM	PART NO.	QTY	DESCRIPTION
1	01376860	3	SCREW
2	***	1	MANIFOLD
3	00112010	0,375	HOSE
4	00112010	0,310	HOSE
5	00905520	4	ROUND HEAD SCREW
6	12310025	4	WASHER
7	01382740	1	BASE PLATE
8	01382850	2	LINK BLOCK
9	01169460	0,055	CORRUGATED TUBE
10	***	1	DISK BRUSH HEAD 1230
11	90432071	1	STRAIGHT SCREW CONNECTION
12	01370240	3	MOUNTING FEET
13	01370250	3	RETAINER
14	01093230	1	EYE BOLT
15	01382860	1	BUSHING
16	00740310	1	WASHER
17	12012019	1	HEX. NUT

Manifold

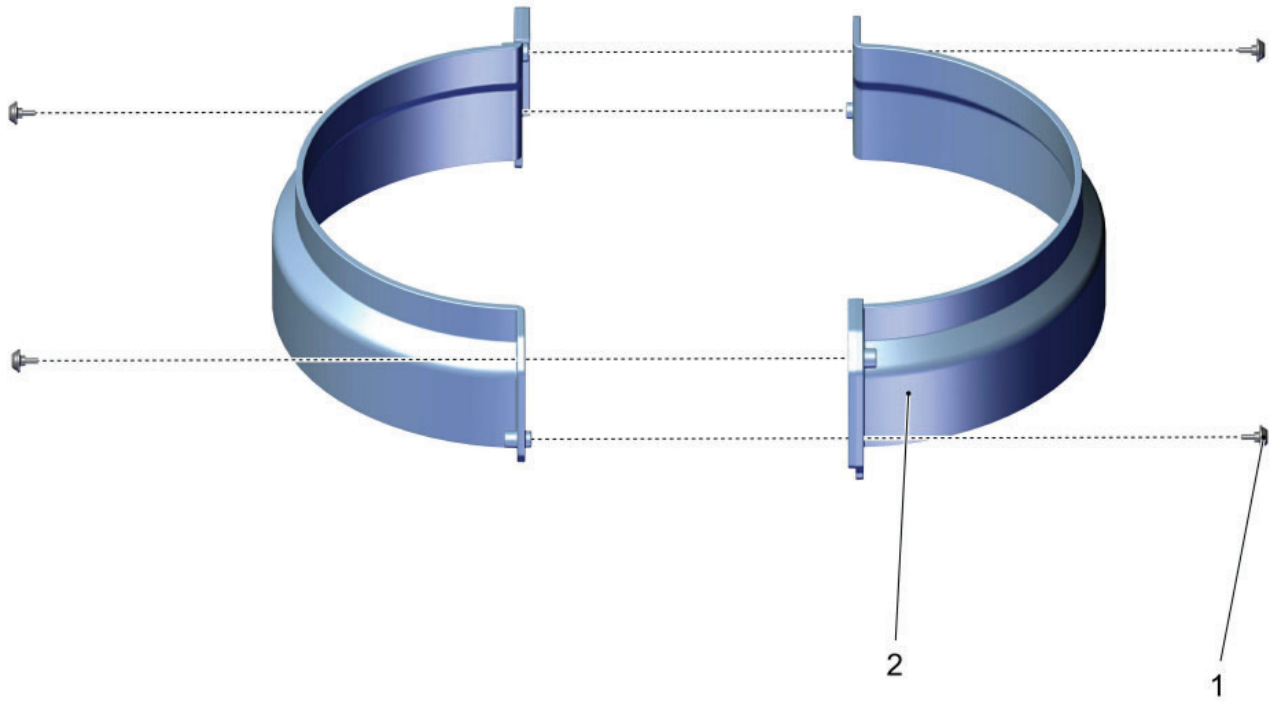


PARTS LIST - MANIFOLD			
ITEM	PART NO.	QTY	DESCRIPTION
1	01376580	1	DISTRIBUTOR
2	90310665	3	SCREWING IN CONNECTING PI

Disk Brush Head 1230



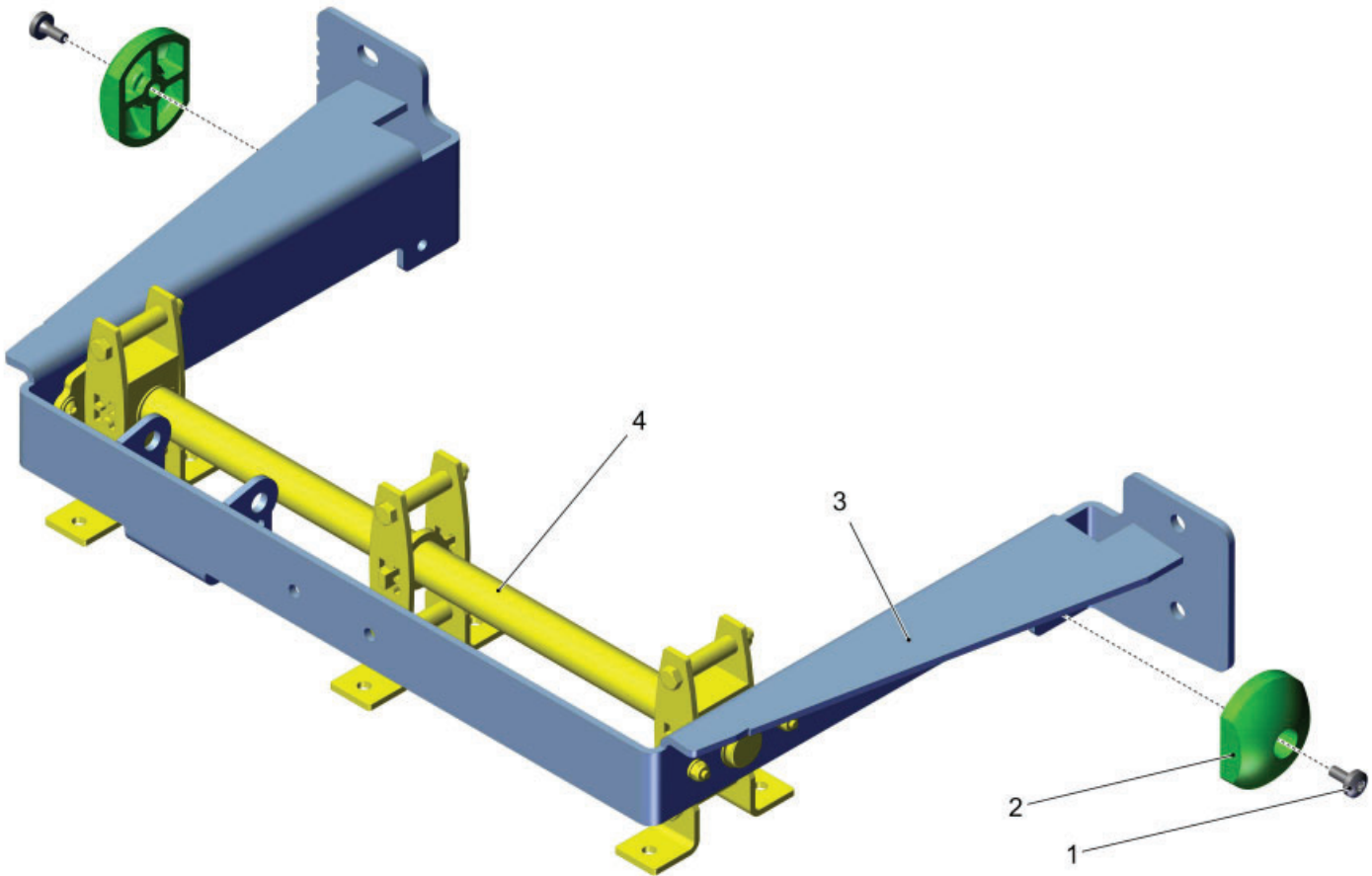
PARTS LIST - DISK BRUSH HEAD 1230			
ITEM	PART NO.	QTY	DESCRIPTION
1	01382370	1	MOUNTING CLIP FOR SUPERSEAL
2	***	0,150	SPARE PART ON REQUEST
3	01493590	1	CLIPS
4	01380090	1	PROTECTION CAP SUPERSEAL



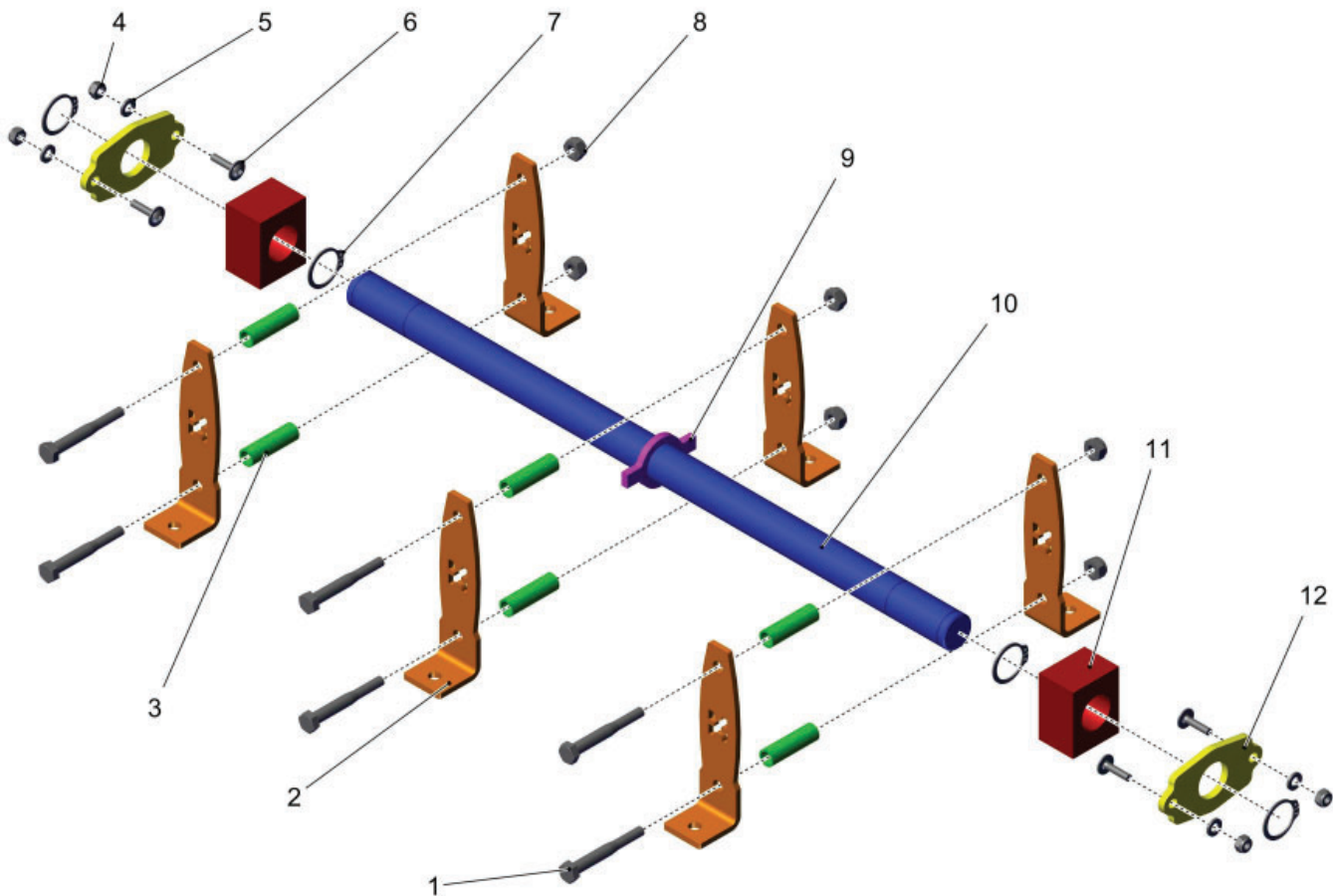
PARTS LIST - DISK BRUSH HEAD 1230

ITEM	PART NO.	QTY	DESCRIPTION
1	01170850	4	SCREW
2	01271080	2	SPLASH GUARD

Head Rocker



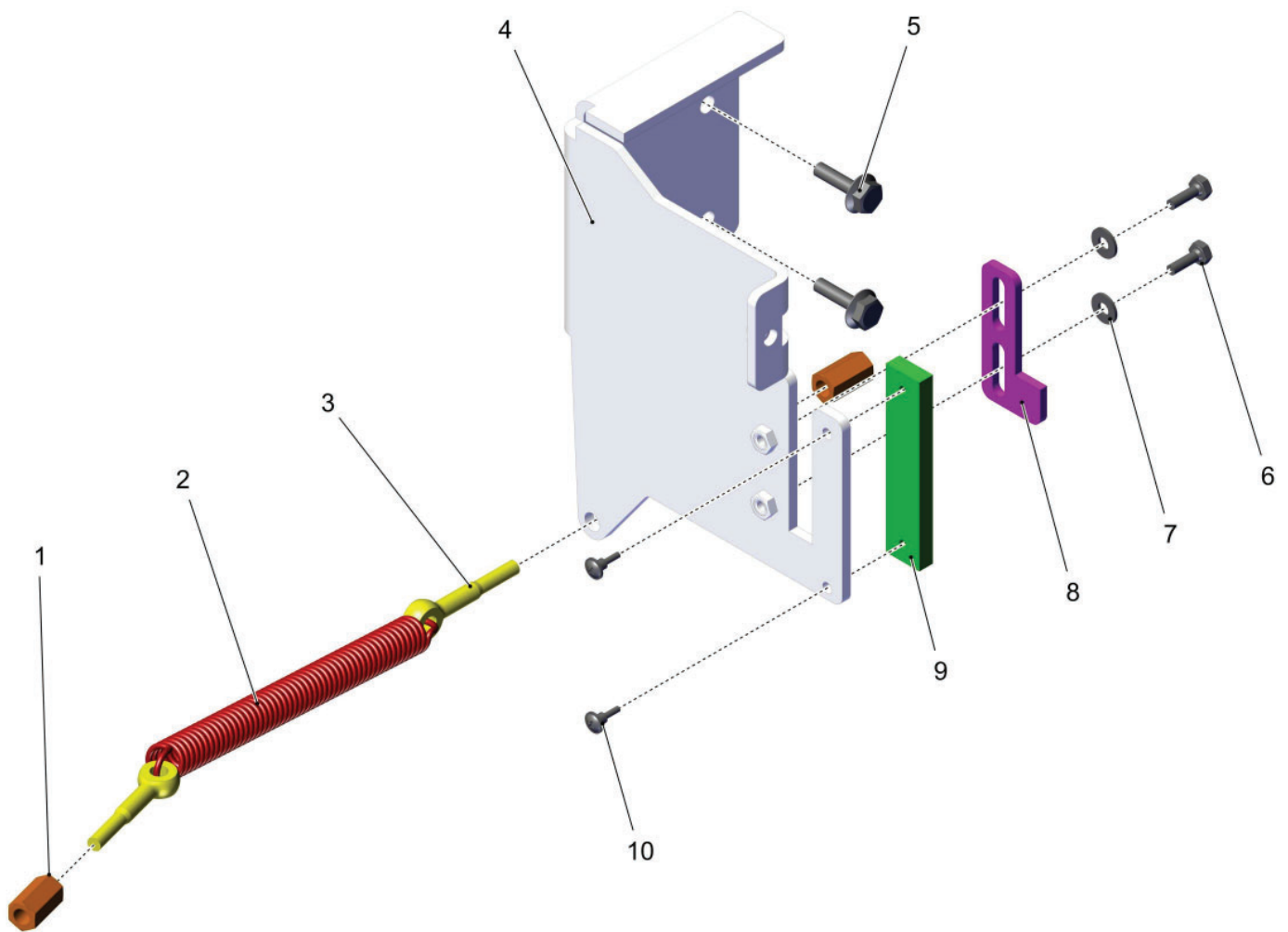
PARTS LIST - HEAD ROCKER			
ITEM	PART NO.	QTY	DESCRIPTION
1	01272710	2	LENS HEAD SCREW
2	01371320	2	STAY
3	01381670	1	ROCKER, COMPLETE
4	***	1	HEAD ROCKER



PARTS LIST - HEAD ROCKER

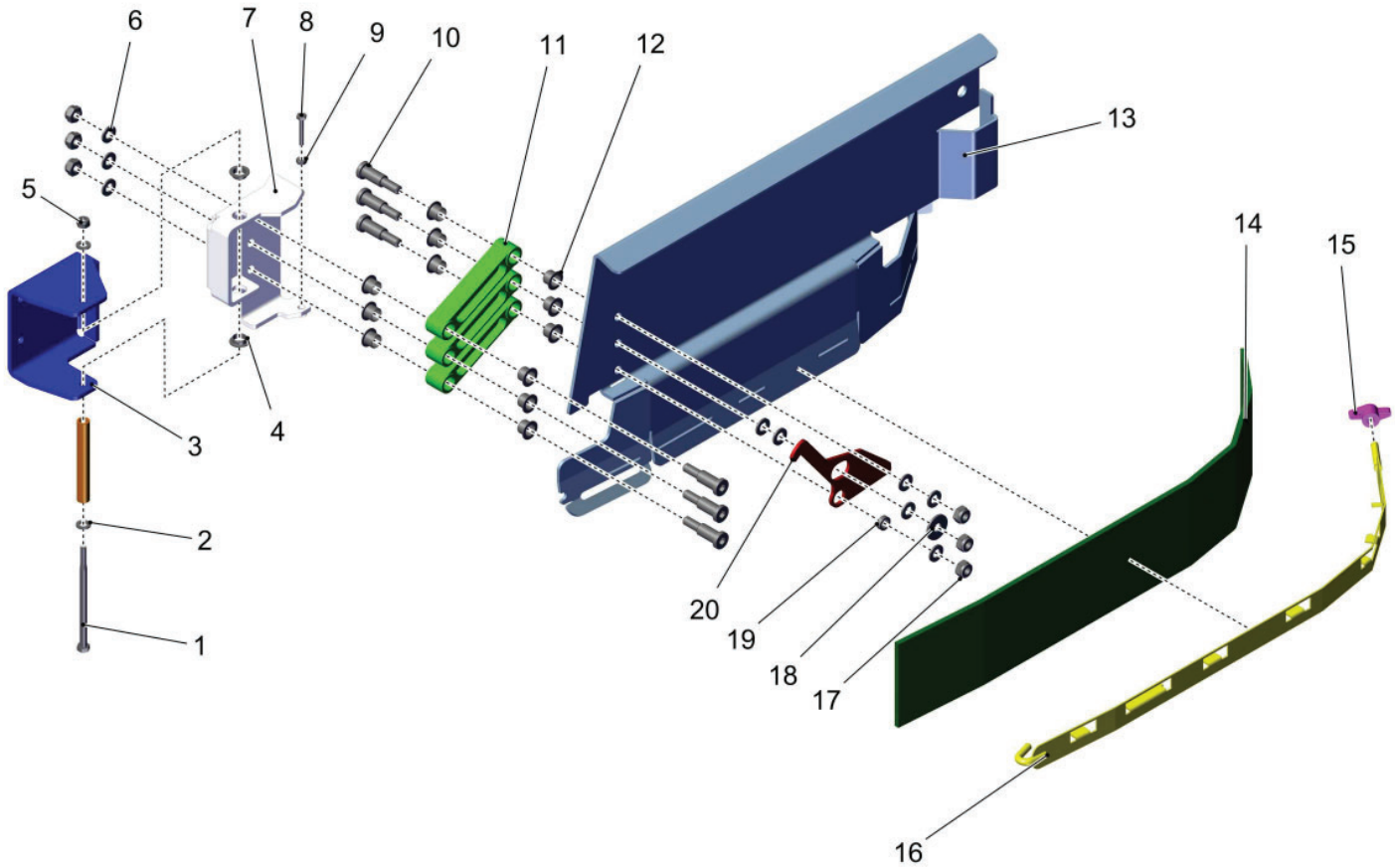
ITEM	PART NO.	QTY	DESCRIPTION
1	01376790	6	HEXAGON SCREW
2	01376560	6	SLIDE PLATE
3	01376450	6	BUSHING
4	12040044	4	HEX NUT
5	12310033	4	WASHER
6	01092780	4	LENS FLANGE SCREW
7	01376800	4	CIRCLIP
8	12040259	6	HEXAGON NUT
9	01375620	1	RING
10	01376520	1	AXLE
11	01376410	2	LINK BLOCK
12	01375480	2	STOP RUBBER

Disk Brush Head 1230



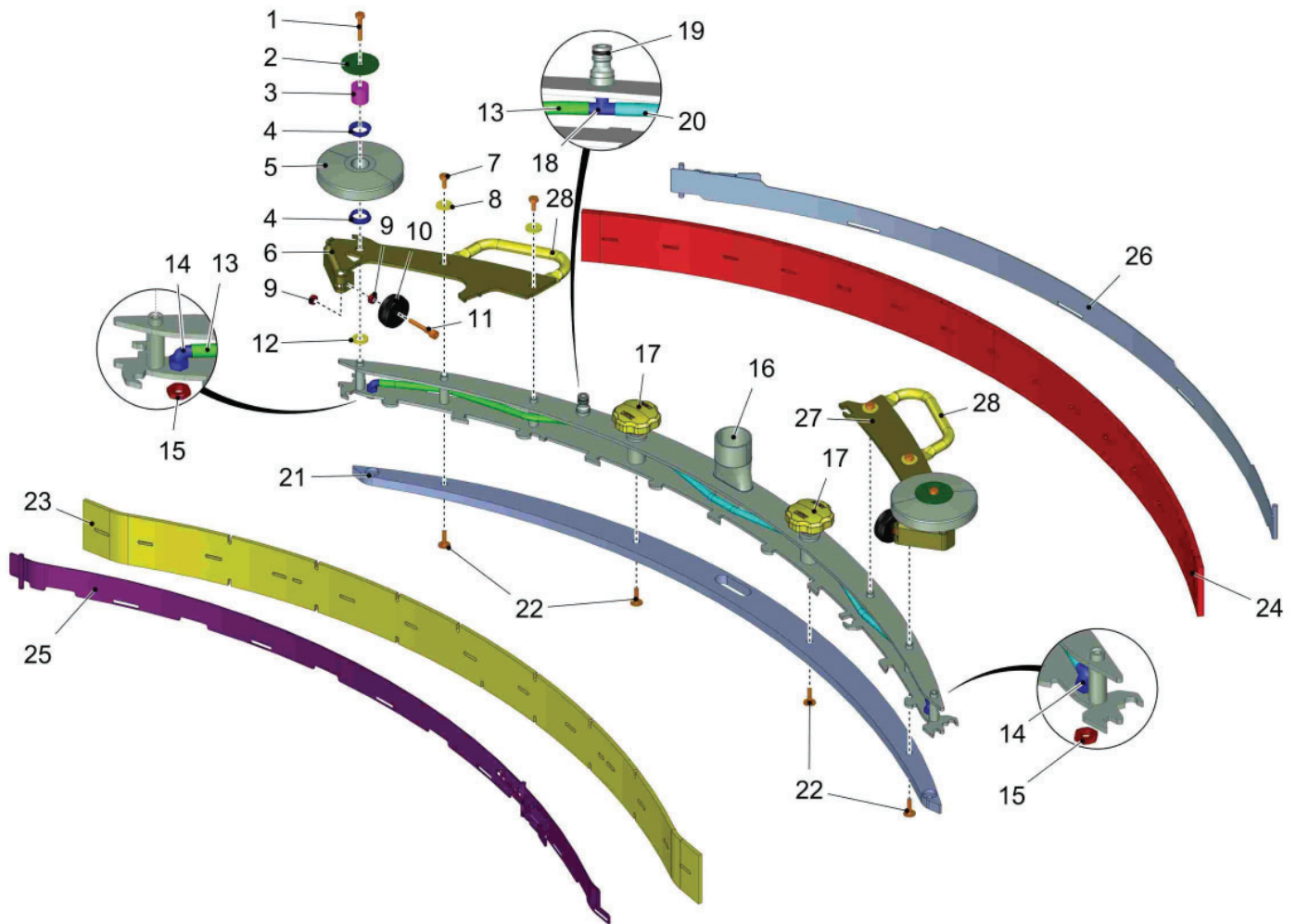
PARTS LIST - DISK BRUSH HEAD 1230			
ITEM	PART NO.	QTY	DESCRIPTION
1	00744340	2	HEX. NUT
2	00522290	1	TENSION SPRING
3	11518016	2	EYE BOLT
4	01380750	1	SIDE SQUEEGEE GUIDE L.H.
5	00959230	2	HEX BOLT (M8X25)
6	11038072	2	HEX BOLT
7	00730940	2	DETENT WASHER
8	01382920	1	ADJUSTING PLATE
9	01382850	1	LINK BLOCK
10	00905520	2	ROUND HEAD SCREW

Side Wiper L.H. Disk Brush Head 1230



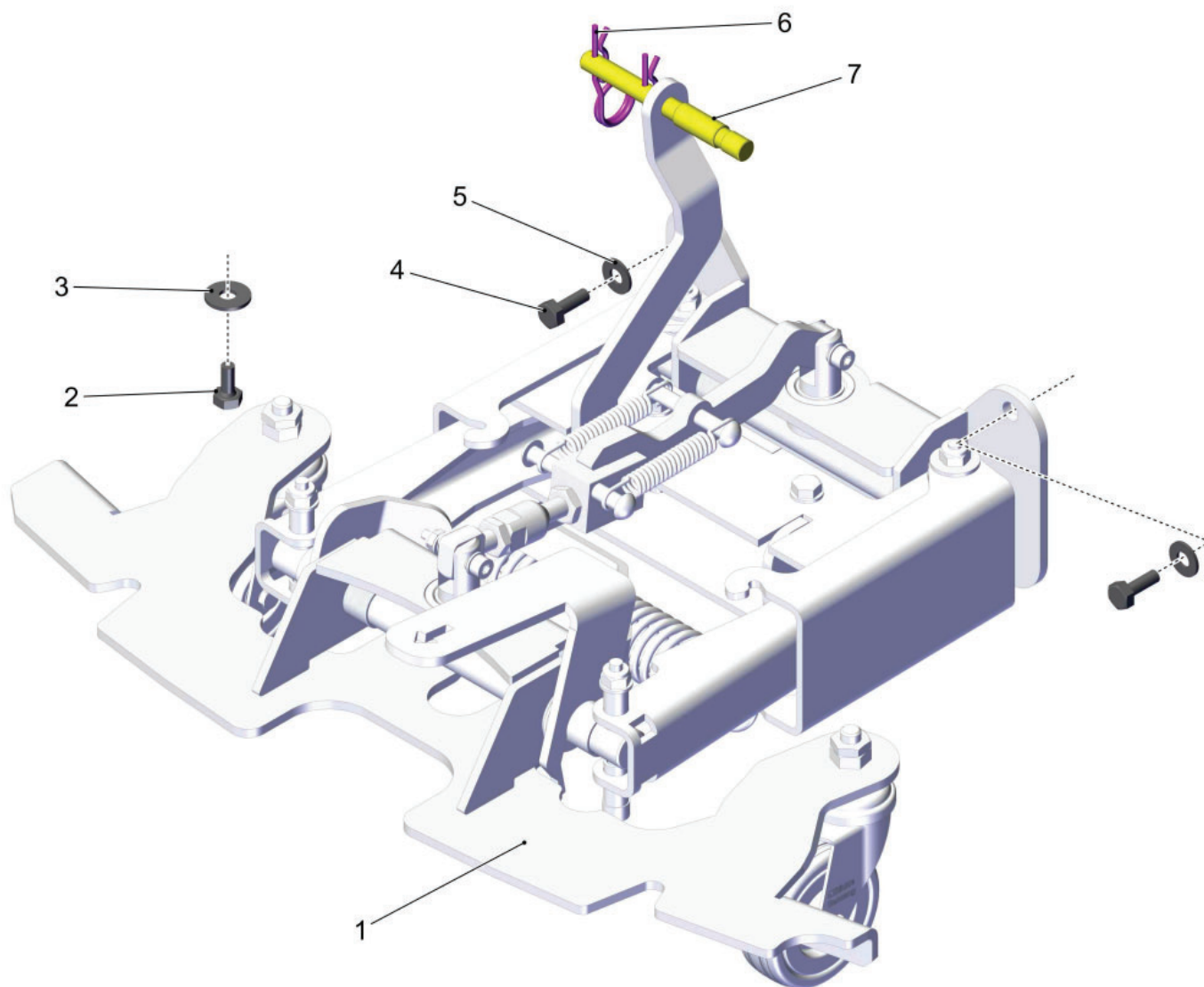
PARTS LIST - SIDE WIPER L.H. DISK BRUSH HEAD 1230			
ITEM	PART NO.	QTY	DESCRIPTION
1	00153780	1	HEX BOLT
2	12310041	2	WASHER
3	01380950	1	RETAINER L.H.
4	01130080	2	SLIDE BEARING BUSH
5	12040051	1	HEX. NUT
6	12310058	9	WASHER
7	***	1	SPARE PART ON REQUEST
8	11038130	1	HEX BOLT
9	12022042	1	HEX NUT
10	01374100	6	FITTING SCREW
11	01073870	3	LEVER
12	01073860	12	SLIDE BEARING BUSH
13	01380940	1	SQUEEGEE L.H. TB 1230
14	01077040	1	SQUEEGEE STRIP
15	01111970	1	WING NUT
16	01373970	1	TENSION BAND LONG
17	01145160	6	HEXAGON NUT
18	12332037	1	WASHER
19	01073900	1	SPACER SLEEVE
20	01381150	1	HOOK

Suction Unit 1360



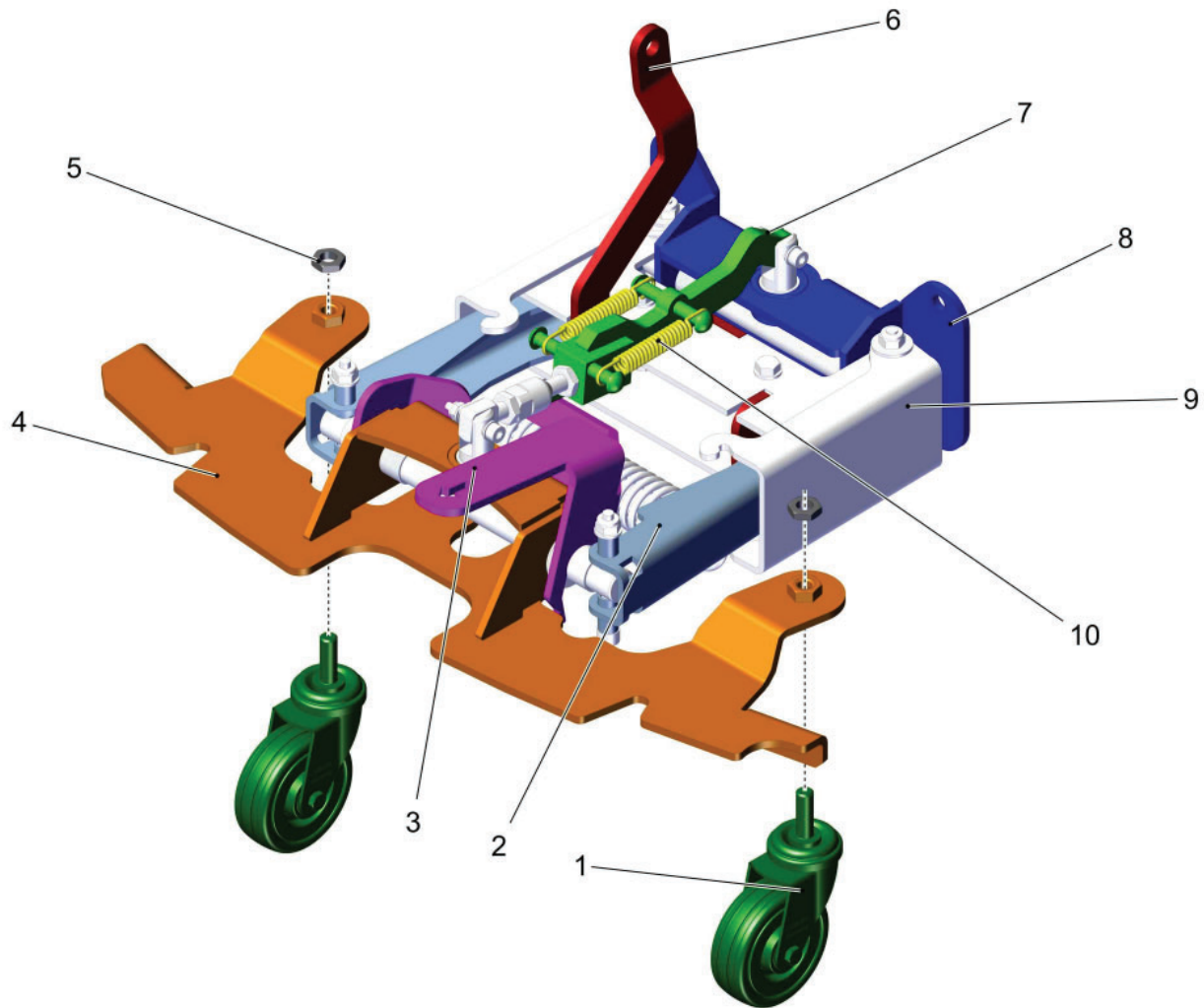
PARTS LIST - SUCTION UNIT 1360			
ITEM	PART NO.	QTY	DESCRIPTION
2	01178290	2	CONICAL SPRING WASHER
3	01373050	2	PIPE
4	01376740	4	SLIDE BEARING BUSH
5	01371490	2	DEFLECTOR
6	01378310	1	DEFLECTOR BOW RH
7	11039609	4	HEX.BOLT
8	12332136	4	WASHER
9	00717029	4	HEXAGON NUT
10	01371530	2	STEERING ROLLER
11	01019860	2	SOCKET HEAD SCREW
12	01228240	2	WASHER
13	00711670	0,350	HOSE
14	01090220	2	PLUG
15	01375180	2	HEX NUT
16	01378400	1	SUCTION UNIT 1360MM, COMPLETE
17	01371630	2	STAR HANDLE YELLOW
18	01371690	1	T-SCREWING IN CONNECTING PIECE
19	01185240	1	O-RING
20	00711670	0,900	HOSE
21	01378320	1	INSERT 1360MM 15MM
22	01164420	4	LENS FLANGE SCREW
23	01378230	1	SLOT STRIP 1360MM
24	01378170	1	SEALING STRIP 1360MM
25	01378270	1	TENSION BAND 1360MM FRONT, COMPLETE
26	01378180	1	TENSION BAND 1360MM REAR, COMPLETE
27	01378280	1	DEFLECTOR BOW LH
28	01371540	2	HANDLE
28	01371540	2	HANDLE

Suction Unit Connection 1360



PARTS LIST - SUCTION UNIT CONNECTION 1360

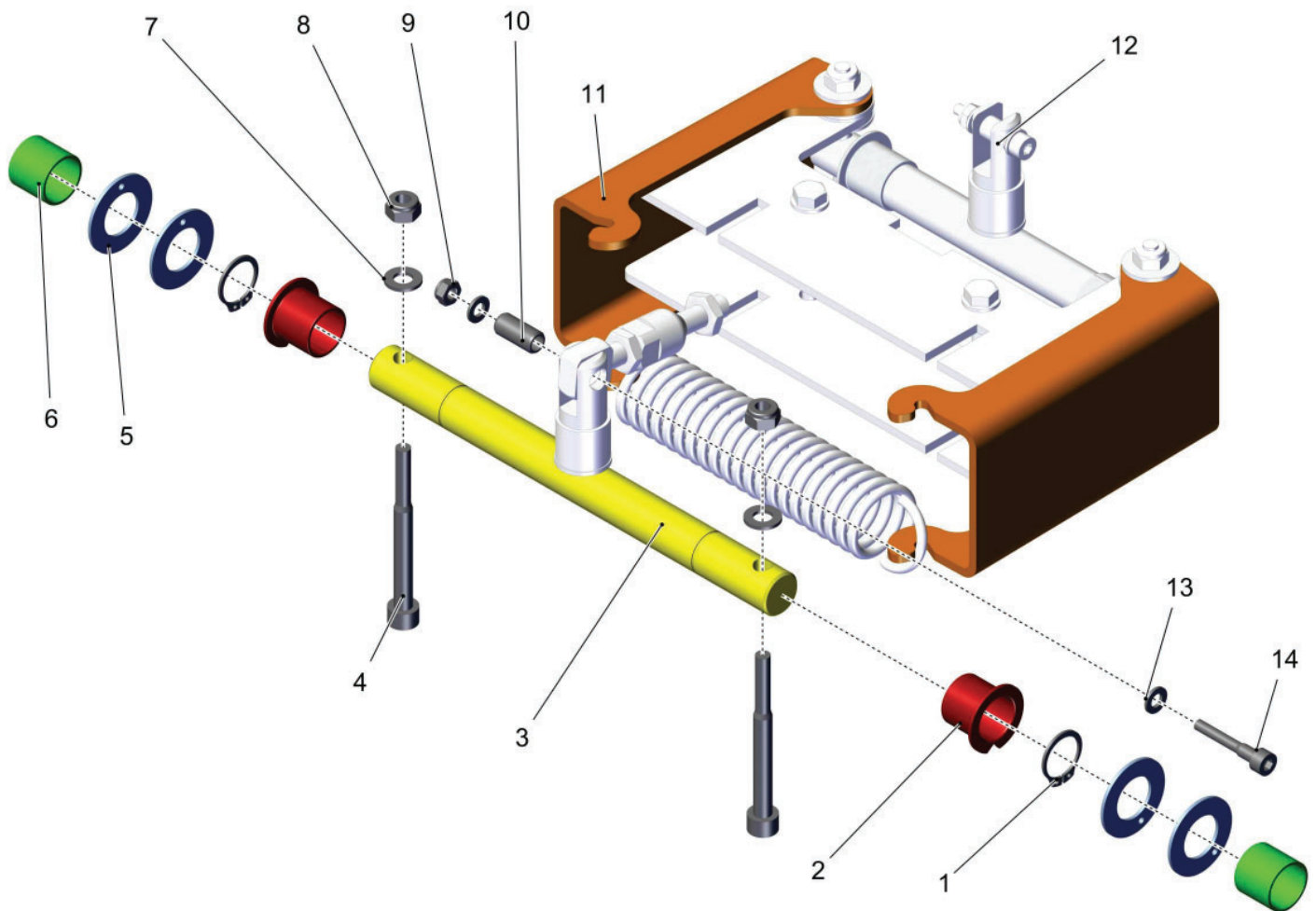
ITEM	PART NO.	QTY	DESCRIPTION
1	01382840	1	SUCTION UNIT CONNECTION 1360
2	11038213	2	HEX. BOLT
3	00740090	2	DETENT WASHER
4	11038197	1	HEX BOLT
5	00740080	1	WASHER
6	00744820	2	SPRING COTTER
7	01382620	1	BOLT



PARTS LIST - SUCTION UNIT CONNECTION 1360

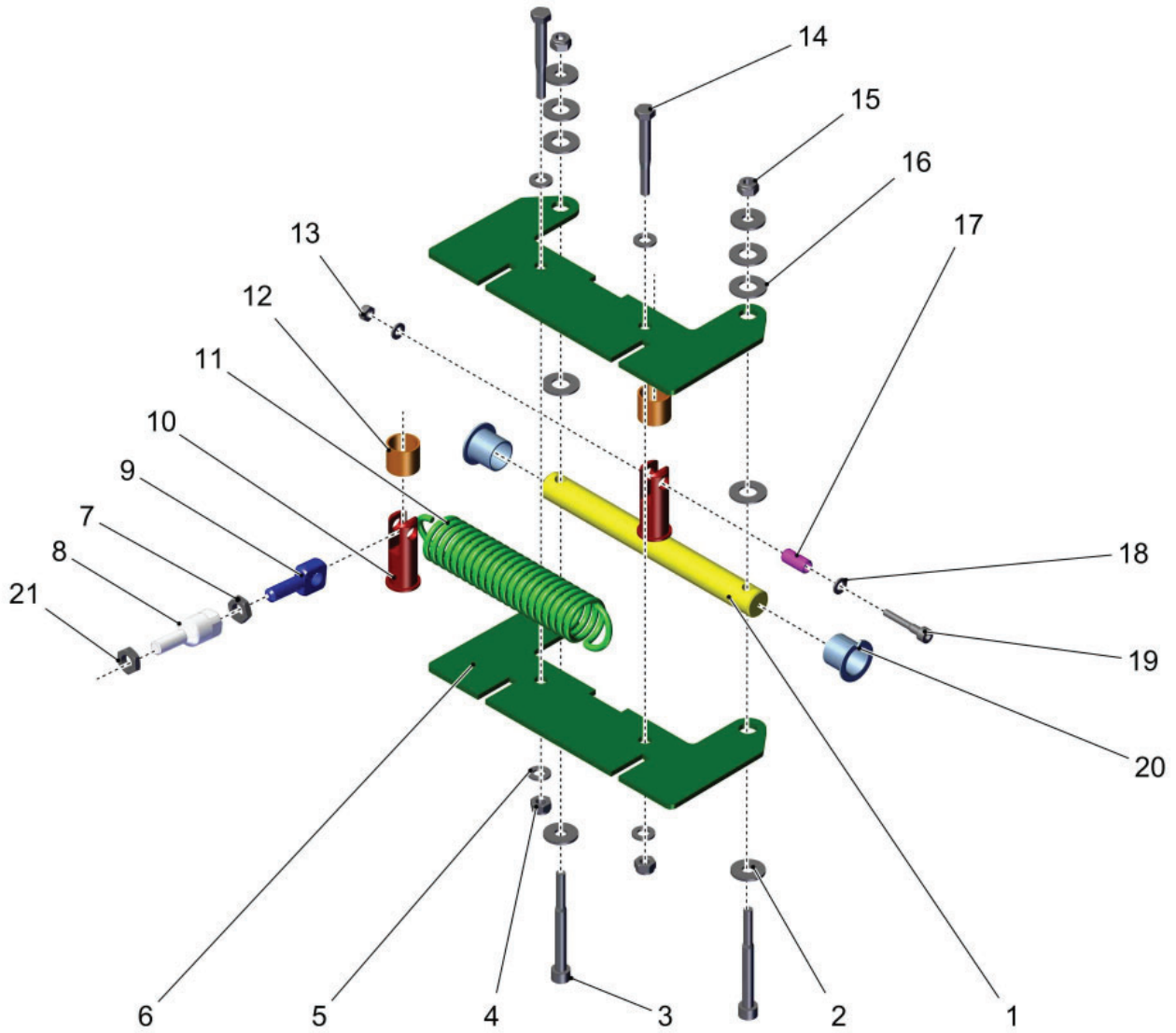
ITEM	PART NO.	QTY	DESCRIPTION
1	01371420	2	STEERING ROLLER
2	01381080	2	TRAPEZE LINK
3	01382250	1	RELEASE LEVER
4	01372500	1	BASE PLATE
5	00074710	2	LEVER
6	01381990	1	HEX. NUT
7	01382190	1	FORK HEAD
8	01382540	1	STOP
9	***	1	SUCTION CUP CONNECTION 1360
10	01371560	2	TENSION SPRING

Suction Unit Connection 1360



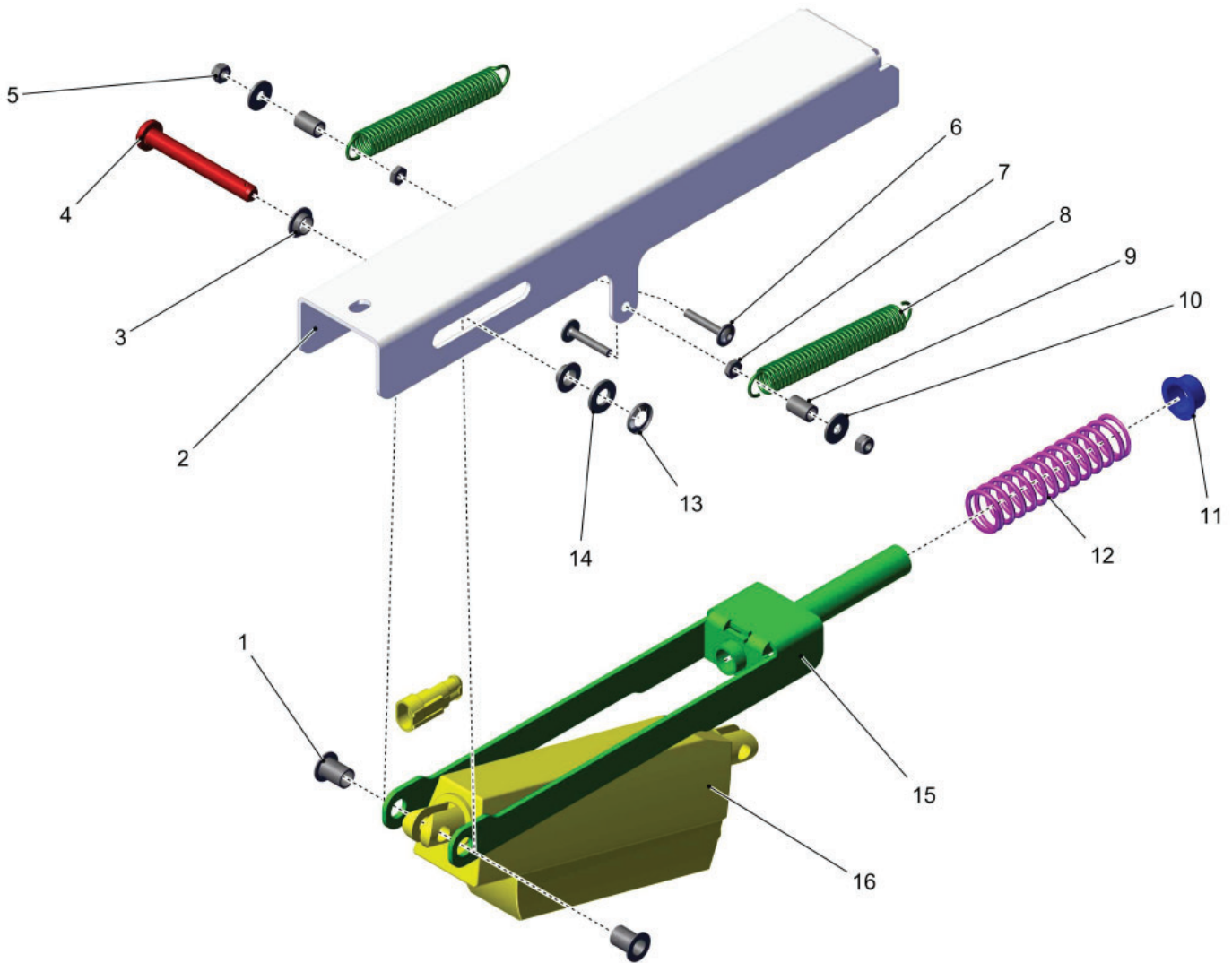
PARTS LIST - SUCTION UNIT CONNECTION 1360			
ITEM	PART NO.	QTY	DESCRIPTION
1	01370230	2	CIRCLIP
2	01377290	2	SLIDE BEARING BUSH
3	01381180	1	SHAFT
4	00864450	2	SOCKET HEAD SCREW
5	01133780	4	STARTING DISK
6	01231150	2	SLIDE BEARING BUSH
7	12310041	2	WASHER
8	12040051	2	HEX. NUT
9	00102140	1	HEXAGON NUT
10	01373280	1	BUSHING
11	01382390	2	CENTERED SHEET METAL
12	***	1	SUCTION CUP CONNECTION 1360
13	12310256	2	WASHER
14	01278920	1	SOCKET HEAD SCREW

Suction Unit Connection 1360



PARTS LIST - SUCTION UNIT CONNECTION 1360			
ITEM	PART NO.	QTY	DESCRIPTION
1	01382210	1	SHAFT
2	12332029	4	WASHER
3	00864450	2	SOCKET HEAD SCREW
4	12040051	2	HEX. NUT
5	12310041	4	WASHER
6	01383010	2	STOP
7	01375180	1	HEXAGON NUT
8	01373080	1	ADJUSTMENT BUSHING
9	01373090	1	JOINT
10	01371570	2	FORK HEAD
11	01277950	1	TENSION SPRING
12	00734550	2	DU-DRYING SOCKET
13	00102140	1	HEXAGON NUT
14	00052900	2	HEXAGON SCREW
15	12040051	2	HEX. NUT
16	14898019	6	APPROACH DISK
17	01373280	1	BUSHING
18	12310256	2	WASHER
19	01278920	1	SOCKET HEAD SCREW
20	01377290	2	SLIDE BEARING BUSH
21	01380340	1	HEXAGON NUT DIN 439-BM10X1-LH-A2

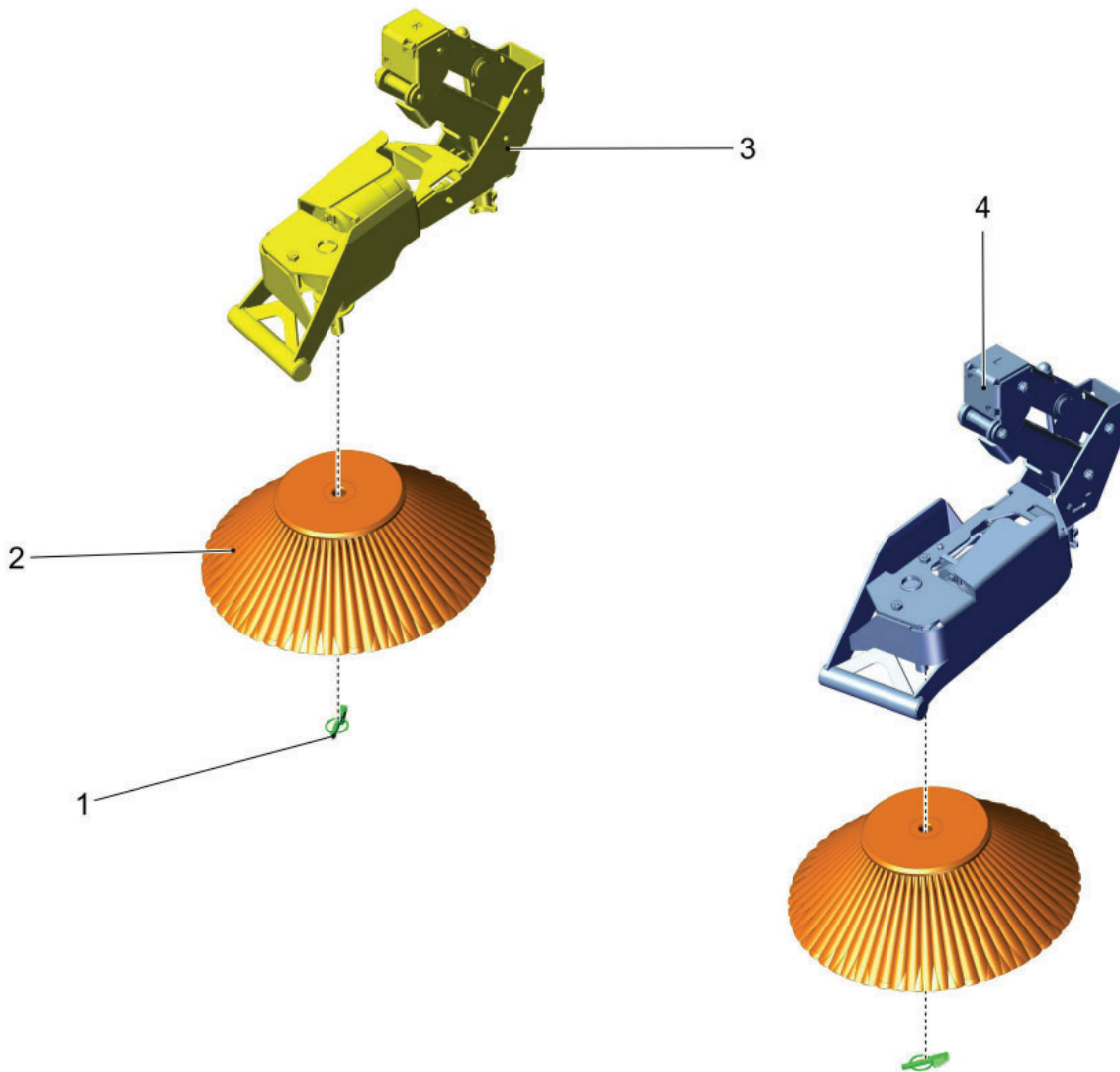
Squeegee Lifting



PARTS LIST - SQUEEGEE LIFTING			
ITEM	PART NO.	QTY	DESCRIPTION
1	14895437	2	SLIDE BEARING BUSH
2	01381000	1	FOLDING PLATE
3	01111140	2	SLIDE BEARING BUSH
4	00522020	1	BOLT
5	12040044	2	HEX NUT
6	06002260	2	LENS FLANGE SCREW
7	00135790	2	HEX NUT
8	01371090	2	TENSION SPRING
9	01381930	2	BUSHING
10	12332011	2	WASHER
11	01130490	1	SLIDE BEARING BUSH
12	00975480	1	PRESSURE SPRING
13	00852380	1	THRUST WASHER
14	12310058	1	WASHER
15	01382180	1	TIGHTENER
16	01375050	1	LIFTING ELEMENT

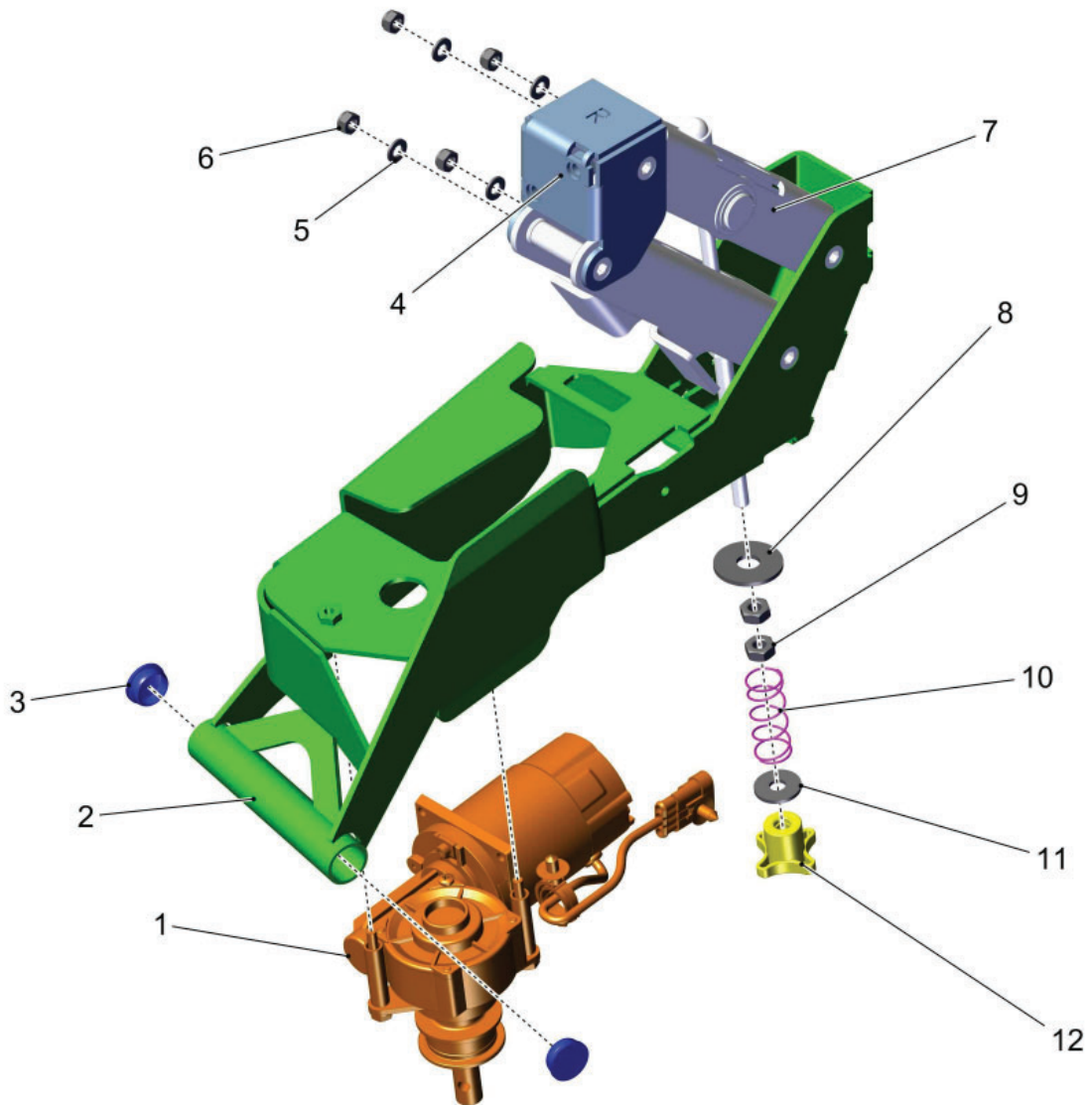
Pre-Sweep Unit

Side Brush 1230



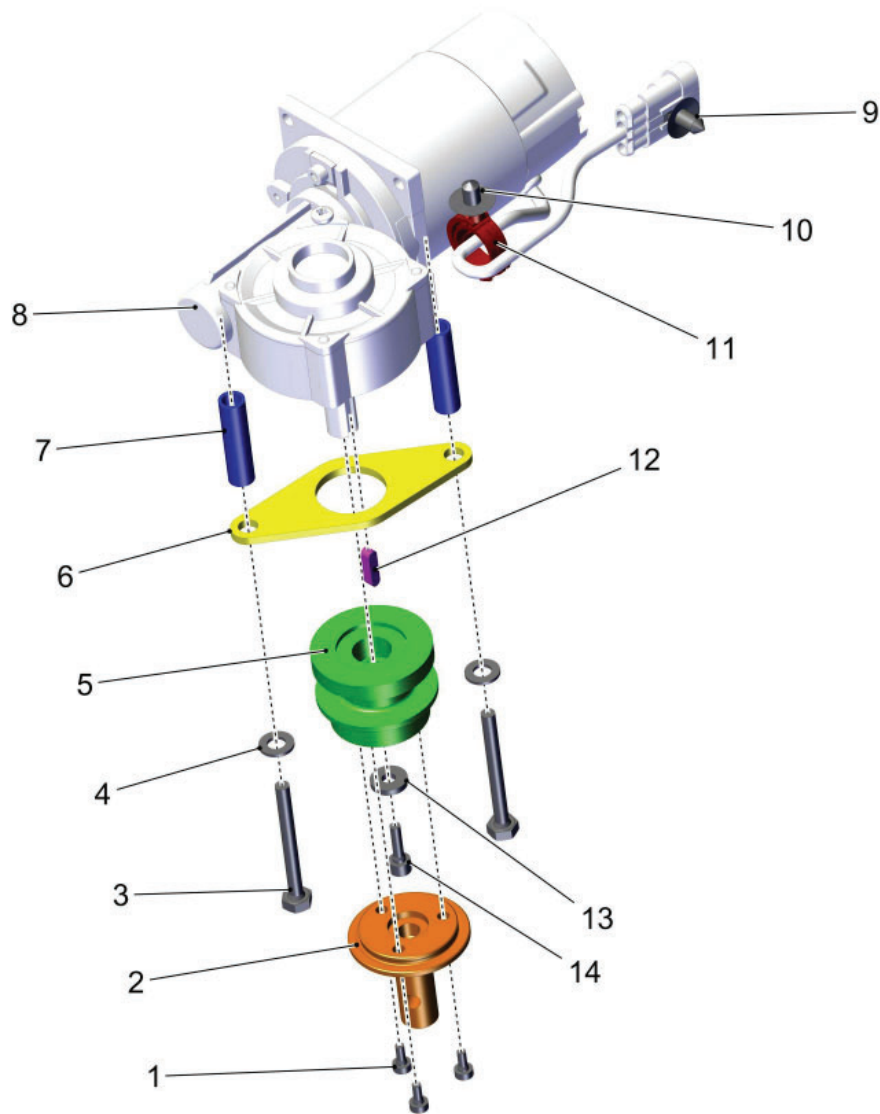
PARTS LIST - SIDE BRUSH 1230			
ITEM	PART NO.	QTY	DESCRIPTION
1	00856500	2	SPLINT PIN
2	99651310	2	SIDE BROOM, PP-PES
3	***	1	SIDE BRUSH 1230 R.H.
4	***	1	SIDE BRUSH 1230 L.H.

Side Brush 1230 R.H.



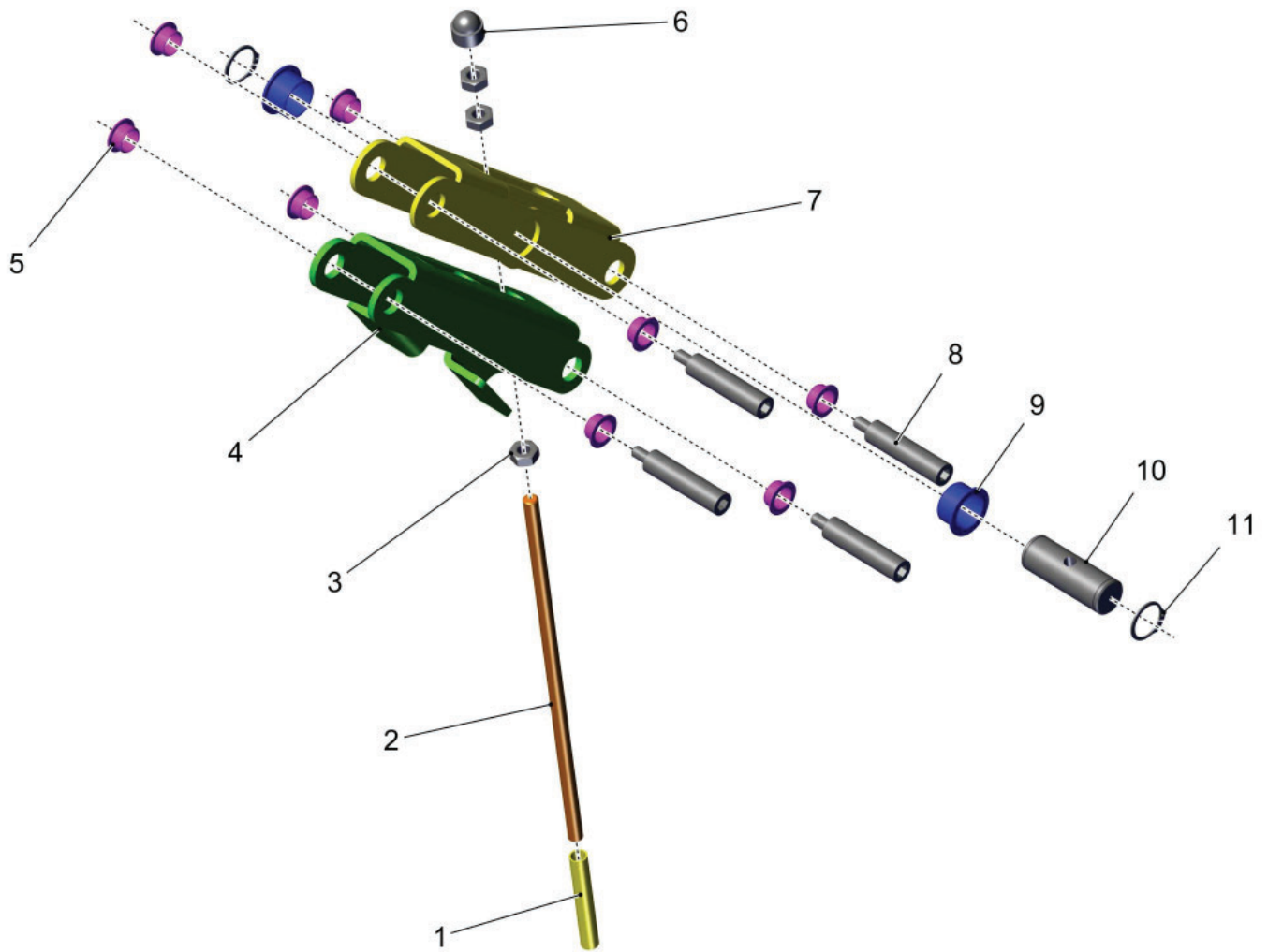
PARTS LIST - SIDE BRUSH 1230 R.H.			
ITEM	PART NO.	QTY	DESCRIPTION
1	***	1	SIDE BRUSH 1230 R.H.
2	01380220	1	SIDE BROOM ARM 1230 R.H.
3	01381700	2	SEALING PLUG
4	01380310	1	BROOM ARM RETAINER R.H.
5	12310041	4	WASHER
6	12040051	4	HEX. NUT
7	***	1	SIDE BRUSH 1230 R.H.
8	00745600	1	WASHER
9	12022067	2	HEX. NUT
10	01380210	1	COMPRESSION SPRING
11	12332037	1	WASHER
12	01274570	1	STAR HANDLE YELLOW

Side Brush 1230 R.H.



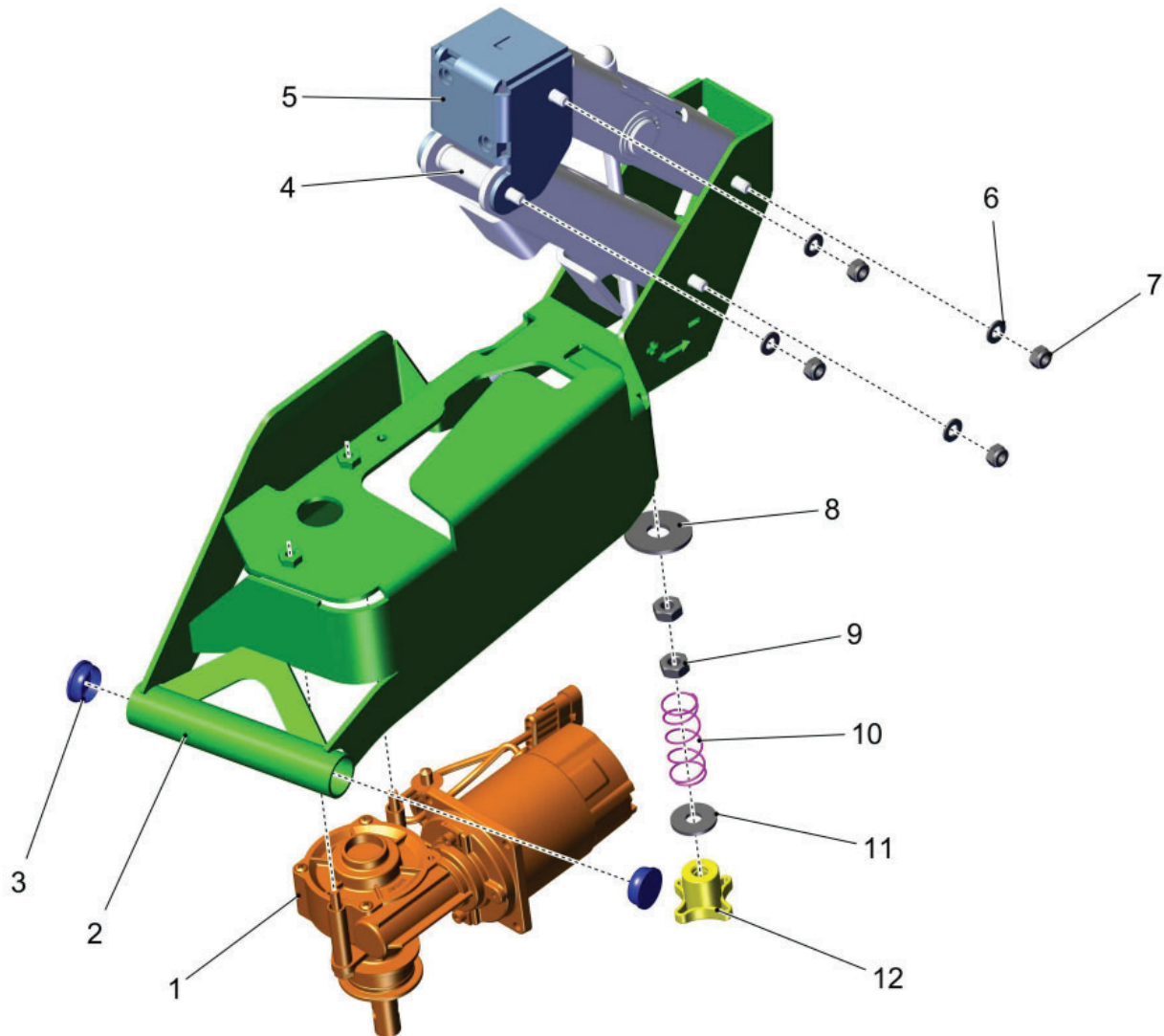
PARTS LIST - SIDE BRUSH 1230 R.H.			
ITEM	PART NO.	QTY	DESCRIPTION
1	01131440	3	SOCKET HEAD CAP SCREW
2	01382470	1	ADAPTER LOWER
3	01072300	2	HEXAGON SCREW
4	12310041	2	WASHER
5	01382560	1	ADAPTER UPPER
6	01373000	1	PLATE
7	01373300	2	DISTANCE PIECE
8	01371210	1	DRIVE L.H.
9	01382370	1	MOUNTING CLIP FOR SUPERSEAL
10	01370240	1	MOUNTING FEET
11	01476570	1	RETAINER Ø20
12	00054260	1	KEY 5X5X20
13	00856290	1	WASHER
14	00022190	1	SCREW (ALLEN HEAD)

Side Brush 1230 R.H.



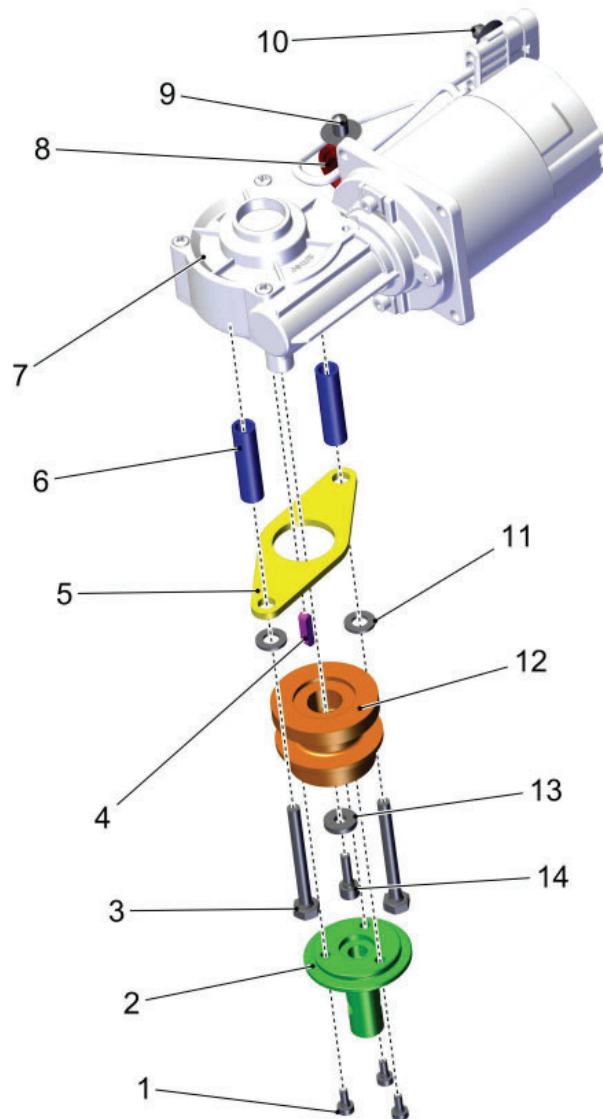
PARTS LIST - SIDE BRUSH 1230 R.H.			
ITEM	PART NO.	QTY	DESCRIPTION
1	01382480	1	BUSHING
2	01382570	1	THREADED ROD M10
3	12022067	3	HEX. NUT
4	01380890	1	DRAFT LINK LOWER 1230
5	01055290	8	SLIDE BEARING BUSH
6	15592041	1	LENS CAP
7	01380910	1	DRAFT LINK UPPER
8	01382640	4	BOLT
9	00740200	2	SLIDE BEARING BUSH
10	01382710	1	BOLT
11	00022460	2	RETAINING RING

Side Brush 1230 L.H.



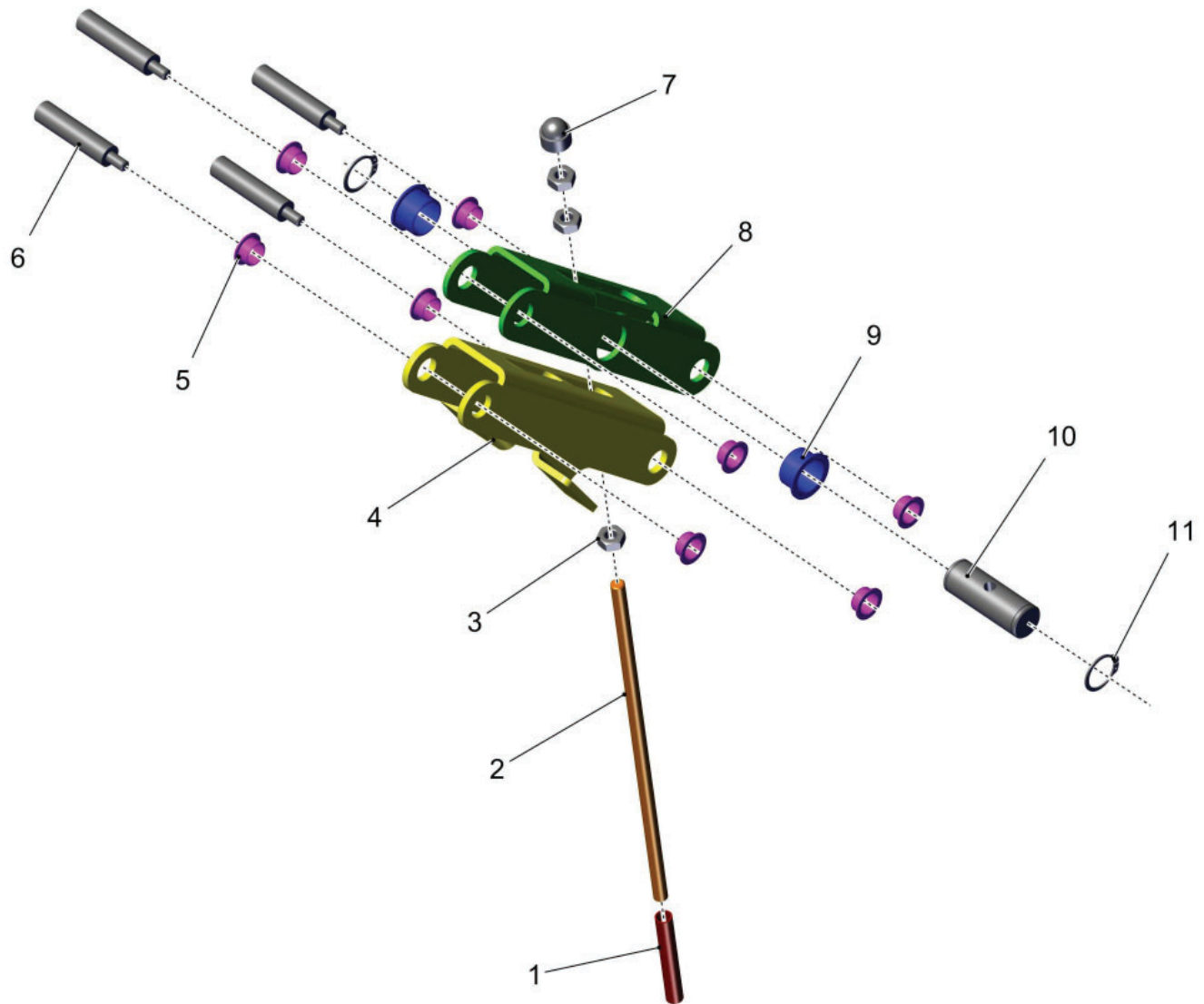
PARTS LIST - SIDE BRUSH 1230 L.H.			
ITEM	PART NO.	QTY	DESCRIPTION
1	***	1	SIDE BRUSH 1230 L.H.
2	01380380	1	SIDE BROOM ARM 1230 L.H.
3	01381700	2	SEALING PLUG
4	***	1	SIDE BRUSH 1230 L.H.
5	01380420	1	BROOM ARM RETAINER L.H.
6	12310041	4	WASHER
7	12040051	4	HEX. NUT
8	00745600	1	WASHER
9	12022067	2	HEX. NUT
10	01380210	1	COMPRESSION SPRING
11	12332037	1	WASHER
12	01274570	1	STAR HANDLE YELLOW

Side Brush 1230 L.H.



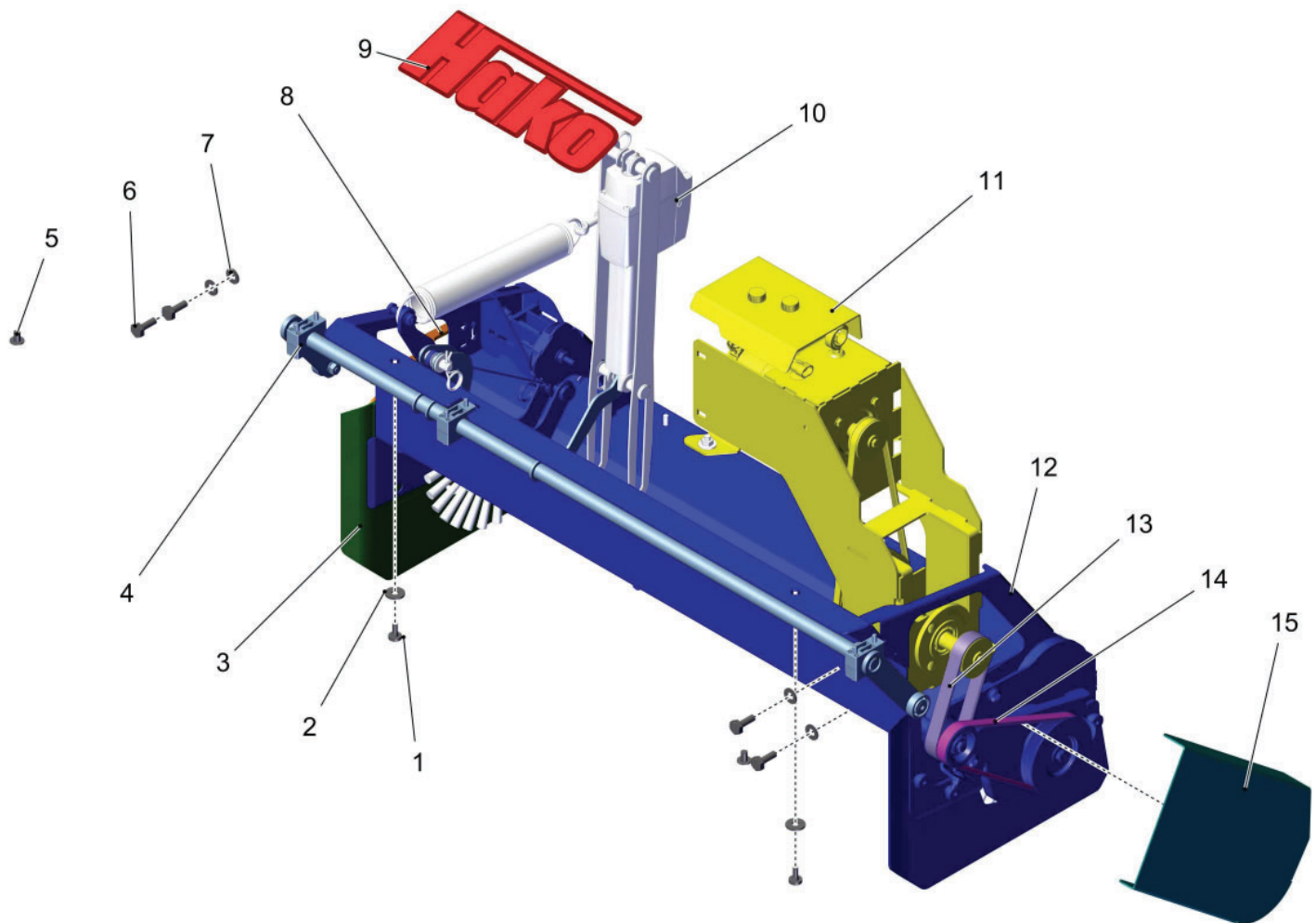
PARTS LIST - SIDE BRUSH 1230 L.H.			
ITEM	PART NO.	QTY	DESCRIPTION
1	01131440	3	SOCKET HEAD CAP SCREW
2	01382470	1	ADAPTER LOWER
3	01072300	2	HEXAGON SCREW
4	00054260	1	KEY 5X5X20
5	01373000	1	PLATE
6	01373300	2	DISTANCE PIECE
7	01371180	1	DRIVE RH
8	01476570	1	RETAINER Ø20
9	01370240	1	MOUNTING FEET
10	01382370	1	MOUNTING CLIP FOR SUPERSEAL
11	12310041	2	WASHER
12	***	1	SPARE PART ON REQUEST
13	00856290	1	WASHER
14	00022190	1	SCREW (ALLEN HEAD)

Side Brush 1230 L.H.



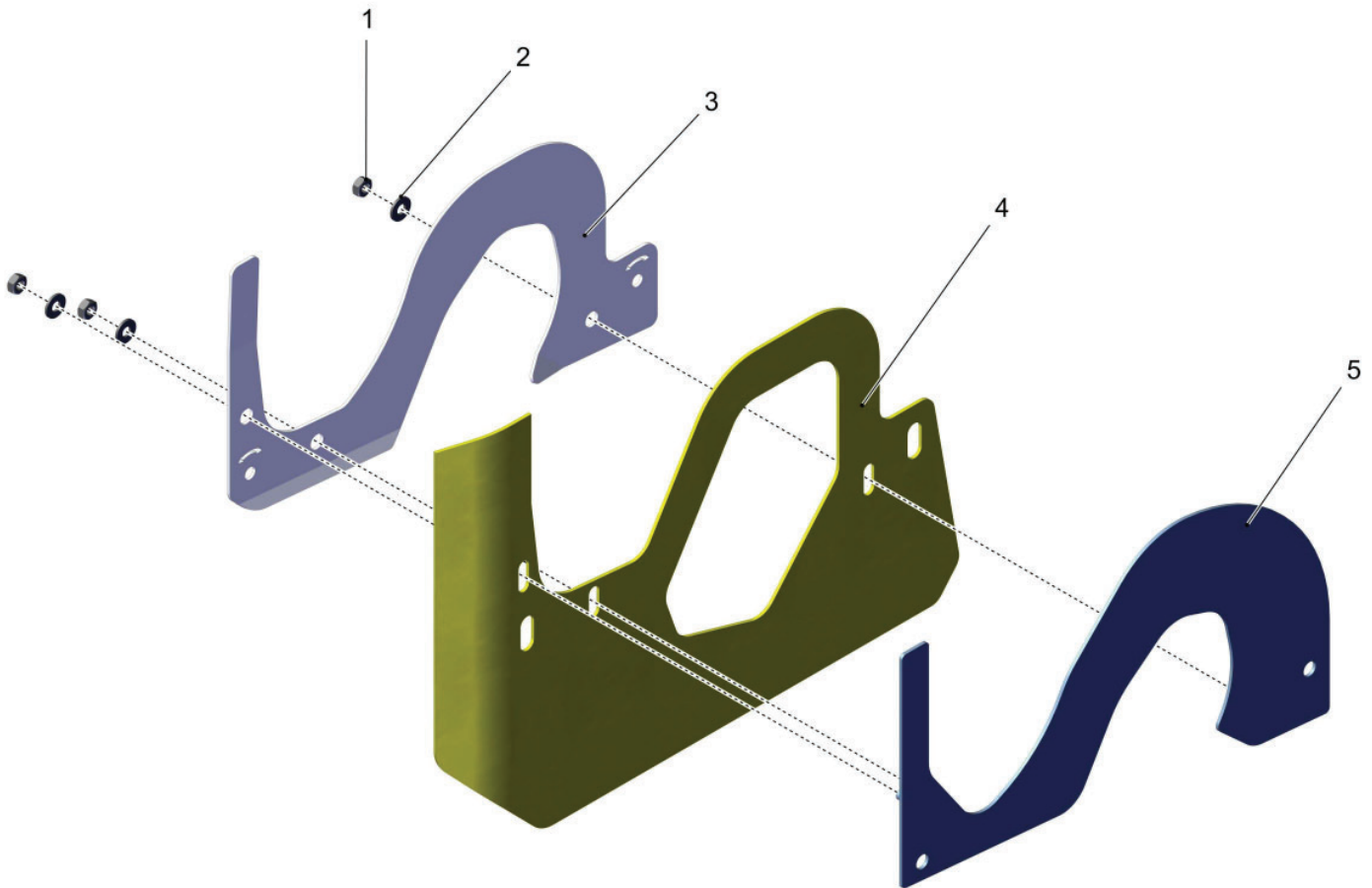
PARTS LIST - SIDE BRUSH 1230 L.H.			
ITEM	PART NO.	QTY	DESCRIPTION
1	01382480	1	BUSHING
2	01382570	1	THREADED ROD M10
3	12022067	3	HEX. NUT
4	01380890	1	DRAFT LINK LOWER 1230
5	01055290	8	SLIDE BEARING BUSH
6	01382640	4	BOLT
7	15592041	1	LENS CAP
8	01380910	1	DRAFT LINK UPPER
9	00740200	2	SLIDE BEARING BUSH
10	01382710	1	BOLT
11	00022460	2	RETAINING RING

Pre-Sweep Unit



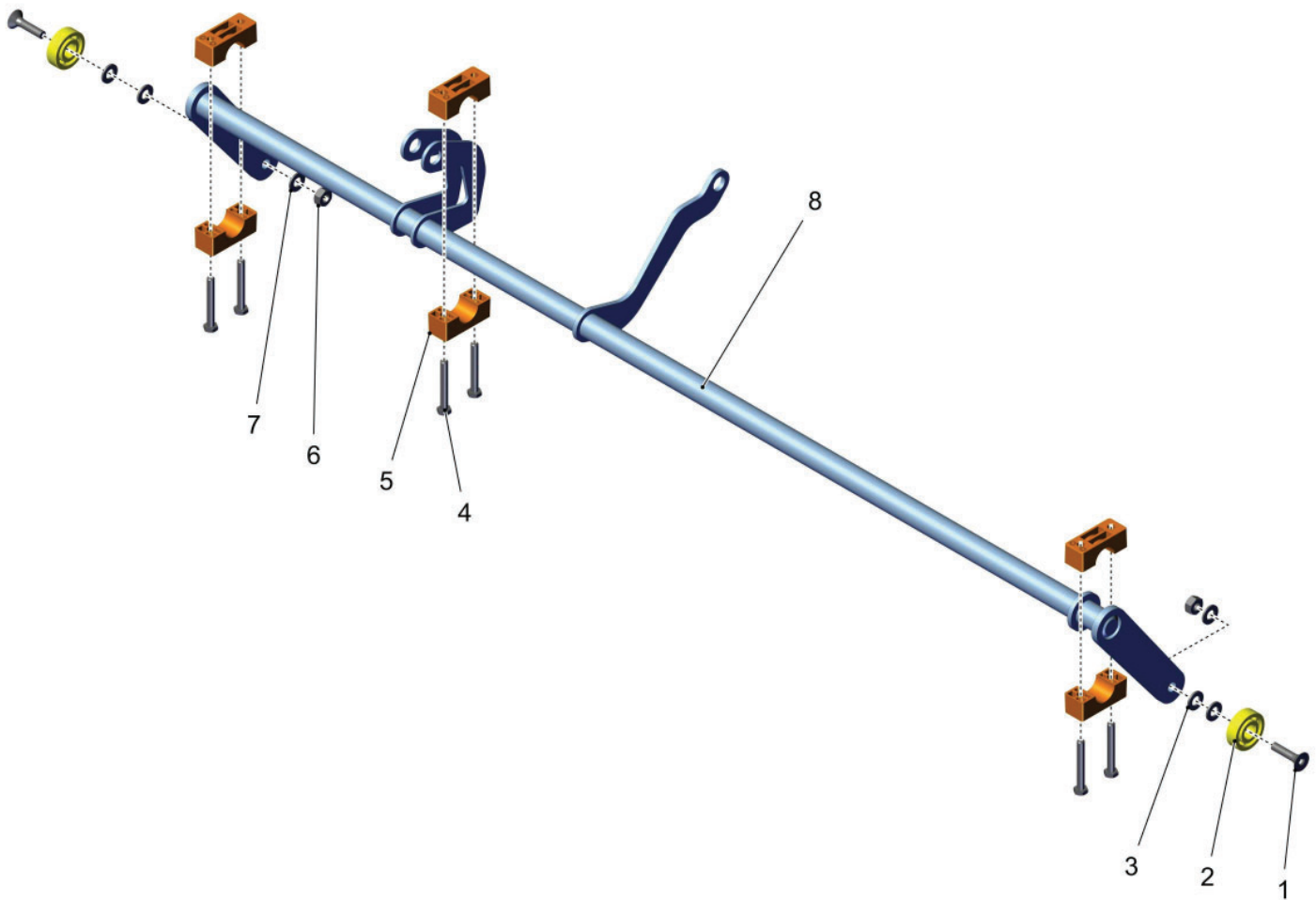
PARTS LIST - PRE-SWEEP UNIT			
ITEM	PART NO.	QTY	DESCRIPTION
1	01272710	2	LENS HEAD SCREW
2	12332029	2	WASHER
3	***	1	SEALING FOR SWEEPER TUNNEL R.H.
4	***	1	LIFTING SHAFT
5	01133350	2	LENS FLANGE SCREW
6	11038346	4	HEX. BOLT
7	00870090	4	DETENT WASHER
8	97148324	1	ROCKER
9	***	1	SPARE PART ON REQUEST
10	***	1	PRE-SWEEP UNIT
11	***	1	ENGINE BRACKET
12	***	1	SWEEPER TUNNEL
13	01380330	1	V-RIBBED BELT
14	01380280	1	V-RIBBED BELT
15	***	1	SPARE PART ON REQUEST

Sealing for Sweeper Tunnel R.H.



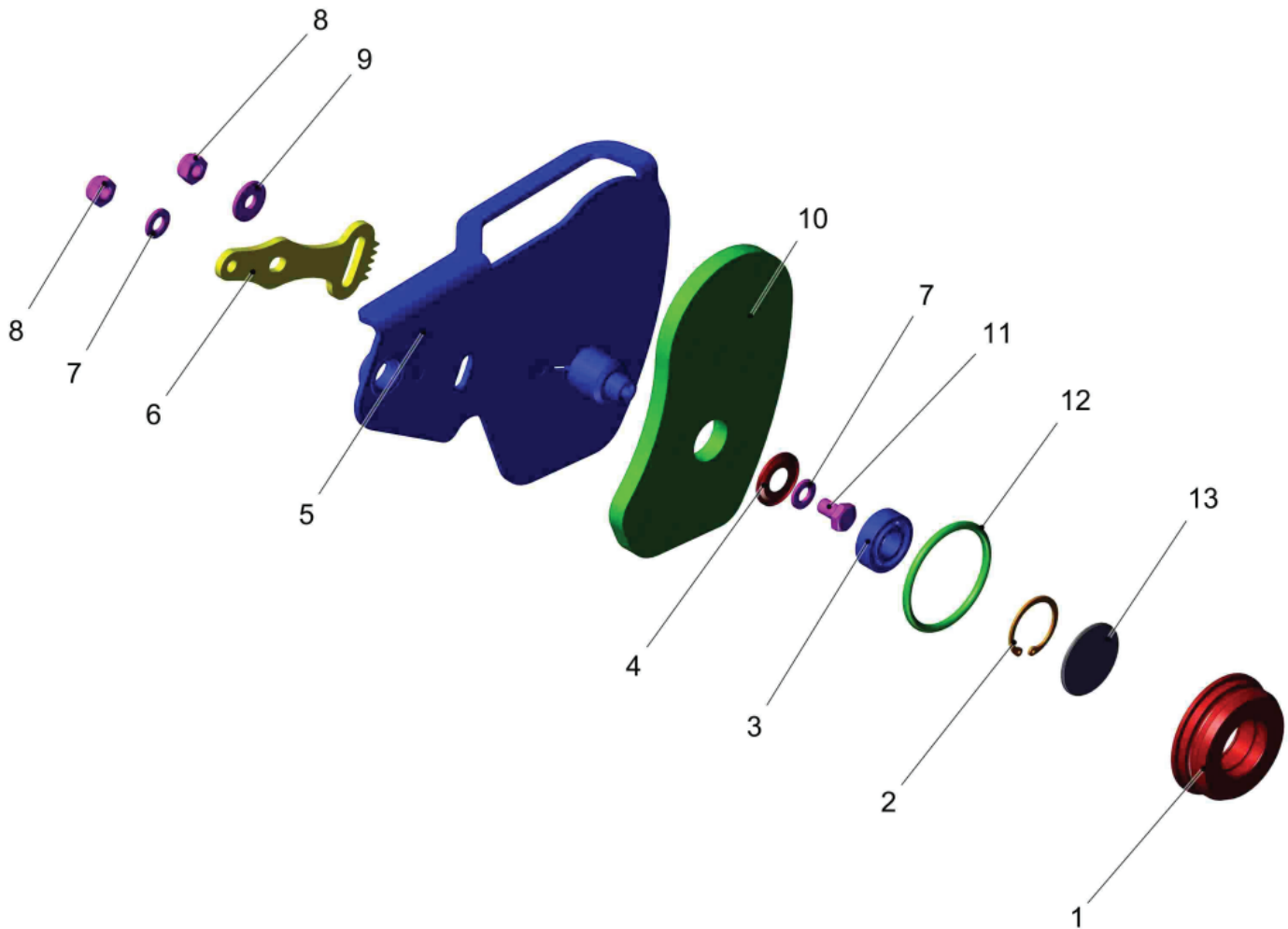
PARTS LIST - SEALING FOR SWEEPER TUNNEL R.H.			
ITEM	PART NO.	QTY	DESCRIPTION
1	12022042	3	HEX NUT
2	00730940	3	DETENT WASHER
3	01382590	1	CLAMPING PLATE RIGHT
4	01380450	1	SEALING STRIP
5	01382600	1	CLAMPING PLATE

Lifting Shaft



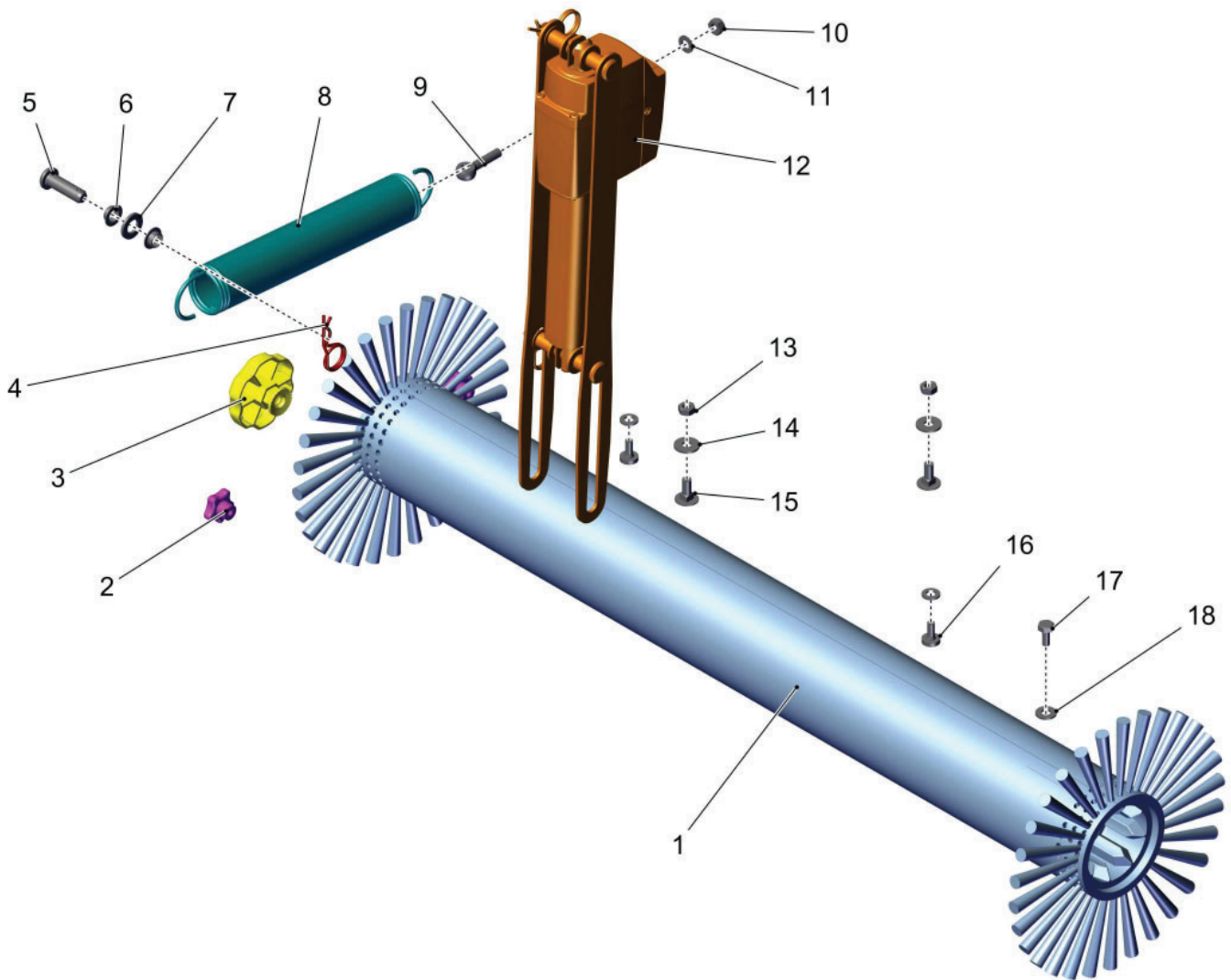
PARTS LIST - LIFTING SHAFT			
ITEM	PART NO.	QTY	DESCRIPTION
1	00855460	2	COUNTERSUNK SCREW
2	00126330	2	GROOVED BALL BEARING 32MM
3	12310041	4	WASHER
4	01381660	6	SCREW
5	01271360	6	BEARING SEAT
6	12022059	2	HEX NUT
7	00740310	2	WASHER
8	01381890	1	LIFTING SHAFT, COMPLETE

Rocker



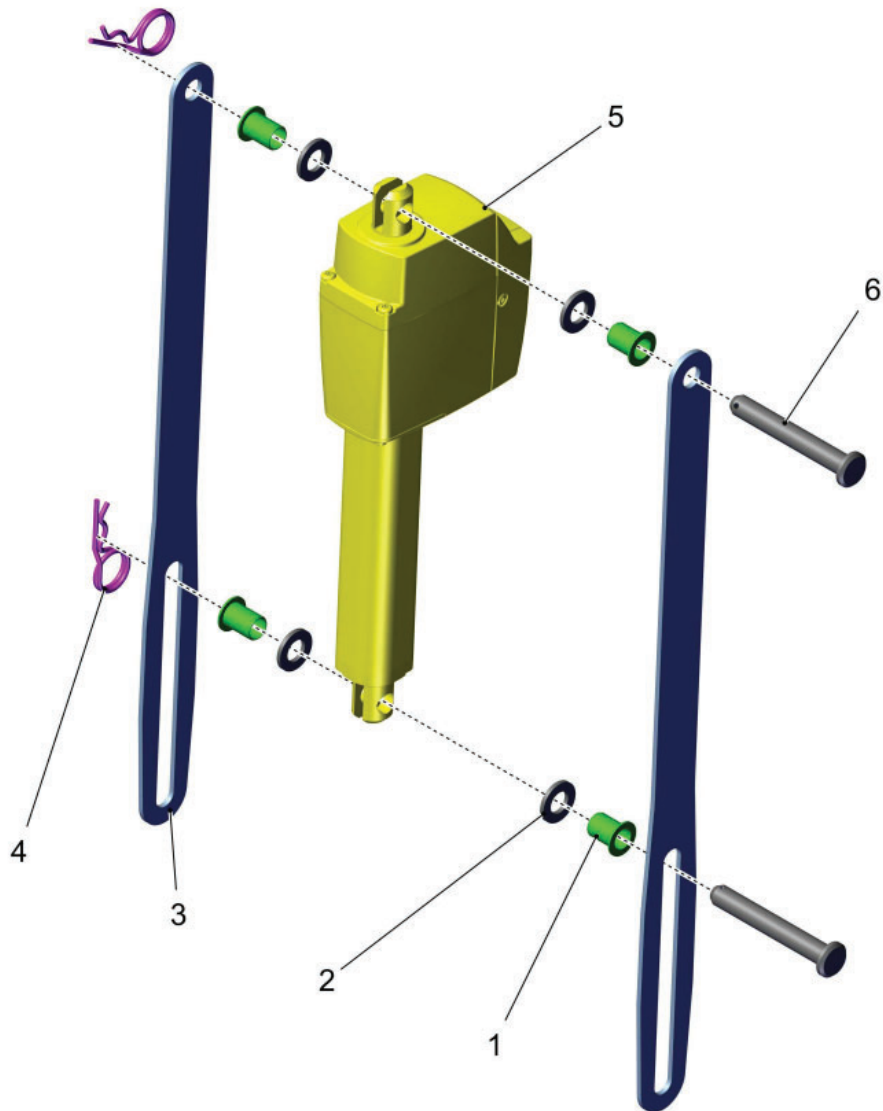
PARTS LIST - ROCKER			
ITEM	PART NO.	QTY	DESCRIPTION
1	01377690	1	COUNTER BEARING
2	00133100	1	RETAINING RING
3	14110563	1	DEEP GROOVE BALL BEARING
4	01071860	1	RING
5	01382600	1	CLAMPING PLATE
6	01382720	1	ADJUSTING PLATE
7	12310058	2	WASHER
8	12040069	2	HEX. NUT
9	01160910	1	DETENT EDGED WASHER
10	01380300	1	GASKET R.H.
11	00055460	1	HEX BOLT
12	01377460	1	O-RING
13	01113940	1	SEALING PLUG

Pre-Sweep Unit



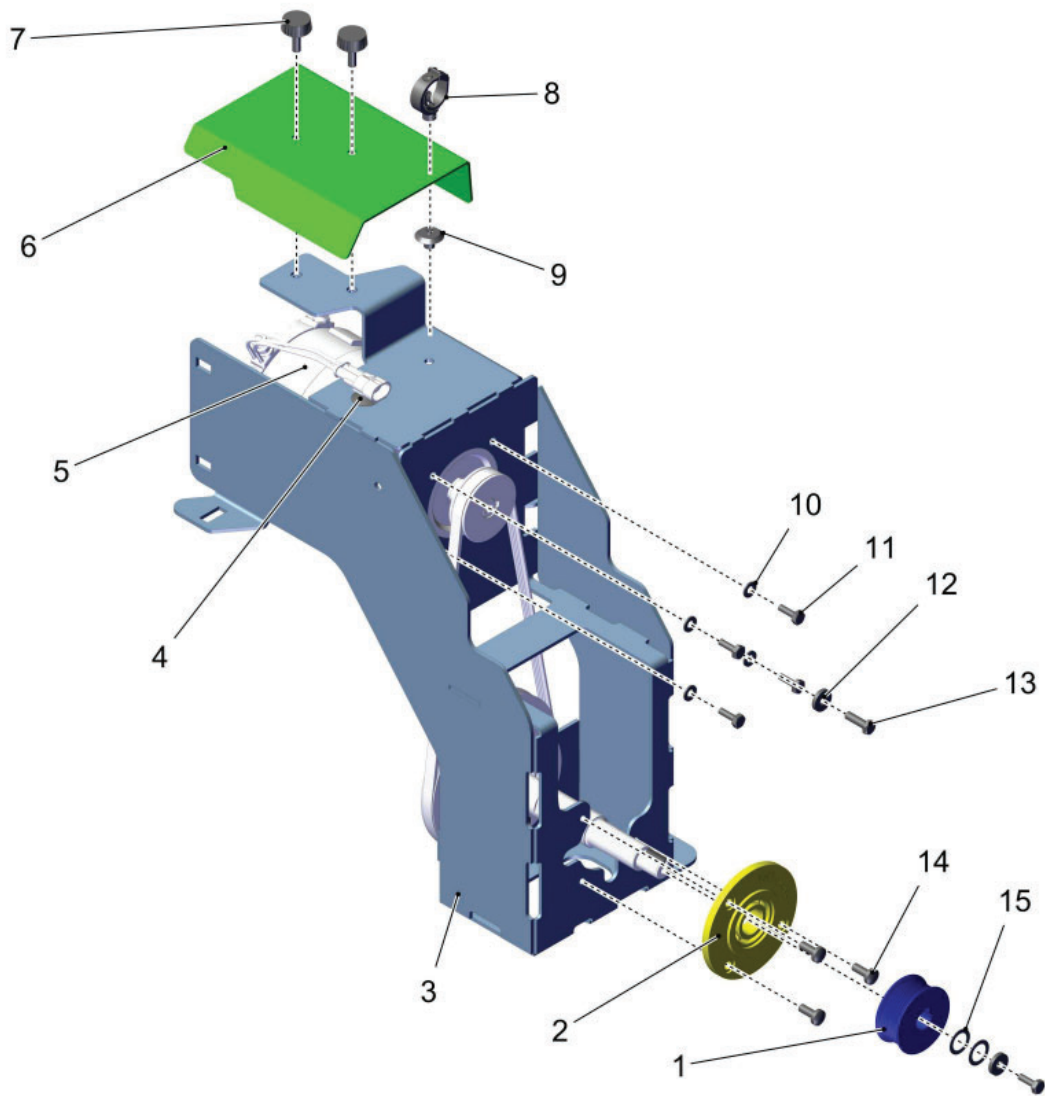
PARTS LIST - PRE-SWEEP UNIT			
ITEM	PART NO.	QTY	DESCRIPTION
1	01380880	1	SWEEPER ROLLER
2	00853730	2	STAR HANDLE
3	01371630	1	STAR HANDLE YELLOW
4	00744820	1	SPRING COTTER
5	00901430	1	BOLT
6	14895478	2	SLIDE BEARING BUSH
7	12310066	1	WASHER
8	01380870	1	COMPRESSION SPRING
9	11518180	1	EYE BOLT
10	12040051	1	HEX. NUT
11	12310041	3	WASHER
12	***	1	PRE-SWEEP UNIT
13	12022059	2	HEX NUT
14	00740080	2	WASHER
15	00878410	2	ROUND HEAD SCREW
16	01272710	2	LENS HEAD SCREW
17	11038197	1	HEX BOLT
18	00740090	1	DETENT WASHER

Pre-Sweep Unit



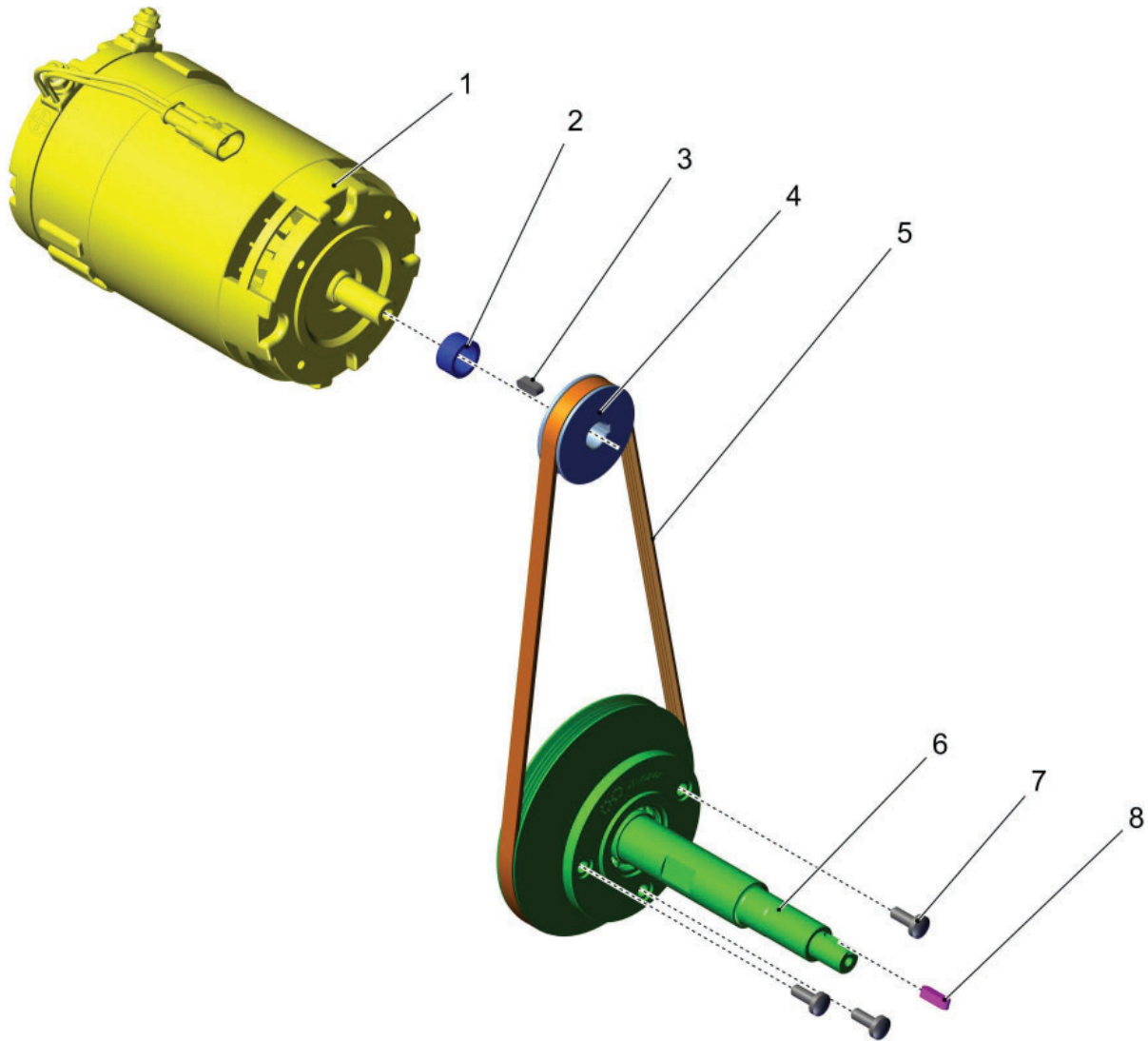
PARTS LIST - PRE-SWEEP UNIT			
ITEM	PART NO.	QTY	DESCRIPTION
1	00041400	4	SLIDE BEARING BUSH
2	12310066	4	WASHER
3	01382080	2	RETAINING WASHER
4	00744820	2	SPRING COTTER
5	01370110	1	LIFTING ELEMENT
6	00879630	2	BOLT

Engine Bracket



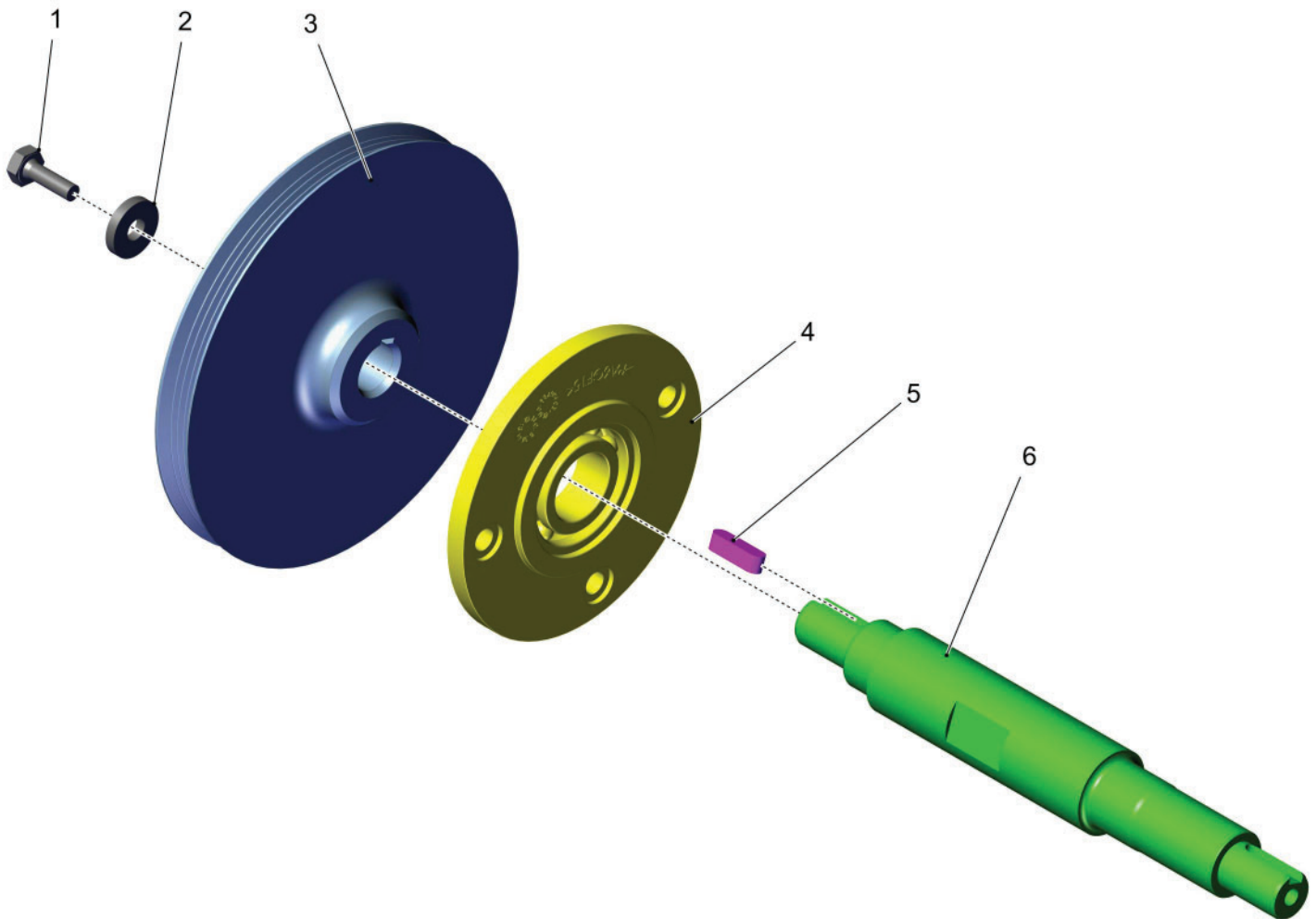
PARTS LIST - ENGINE BRACKET			
ITEM	PART NO.	QTY	DESCRIPTION
1	01380520	1	BELT PULLEY PJ8 50
2	01173010	1	FLANGE BEARING
3	***	1	SPARE PART ON REQUEST
4	01382370	1	MOUNTING CLIP FOR SUPERSEAL
5	***	1	ENGINE BRACKET
6	***	1	SPARE PART ON REQUEST
7	01092990	2	KNURLED SCREW
8	01476570	1	RETAINER Ø20
9	01370240	1	MOUNTING FEET
10	00740280	4	WASHER
11	11038072	5	HEX BOLT
12	00856290	2	WASHER
13	11038098	1	HEX. BOLT
14	00539730	3	SCREW
15	00906020	2	SHIM RING (WASHER)

Engine Bracket



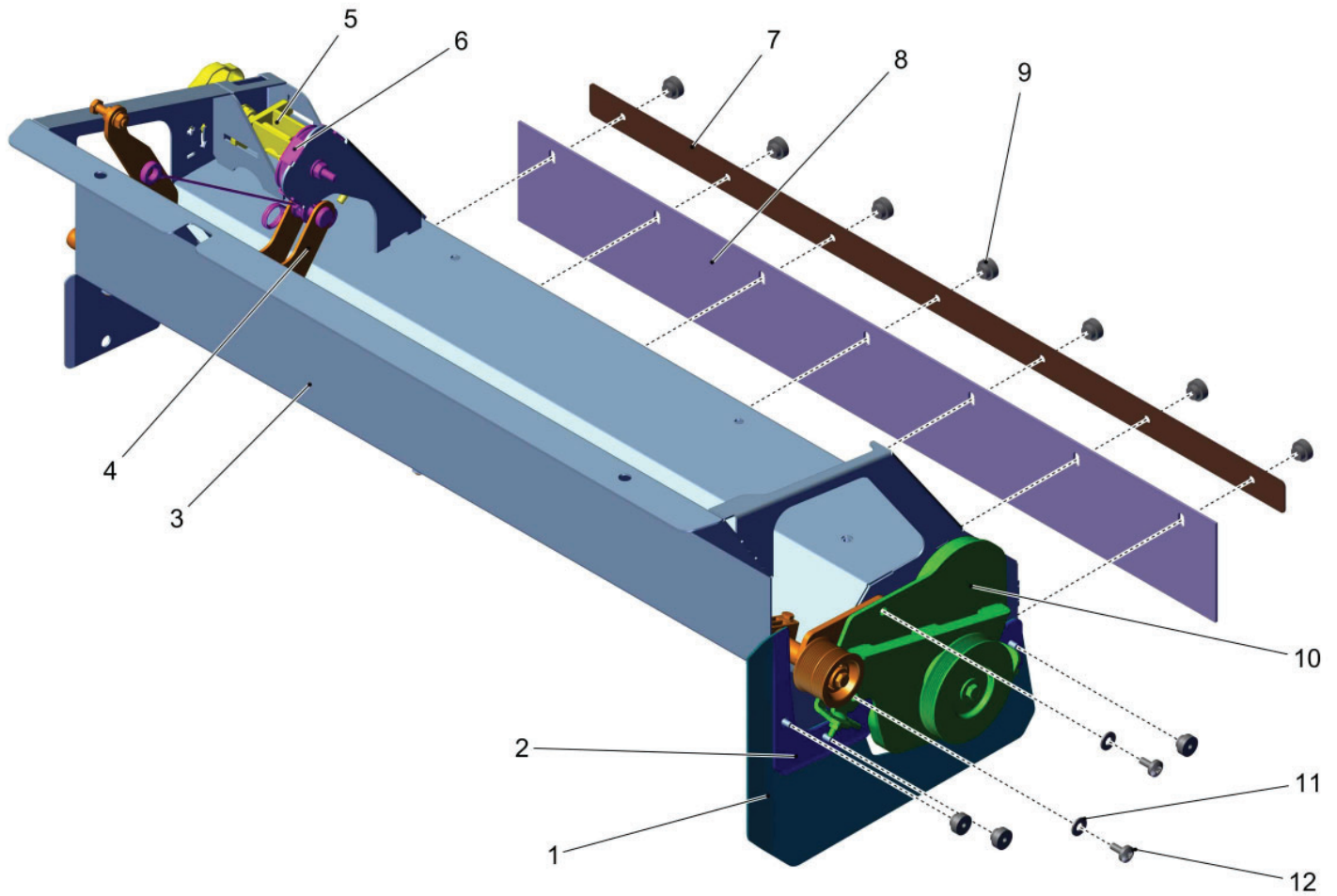
PARTS LIST - ENGINE BRACKET			
ITEM	PART NO.	QTY	DESCRIPTION
1	01377170	1	MOTOR 36V 600W
2	01381020	1	BUSHING
3	00126280	1	KEY
4	01380020	1	BELT PULLEY PJ4 50
5	01179730	1	RIBBED BAND
6	***	1	SHAFT
7	00539730	3	SCREW
8	00022430	1	FEATHER KEY

Shaft



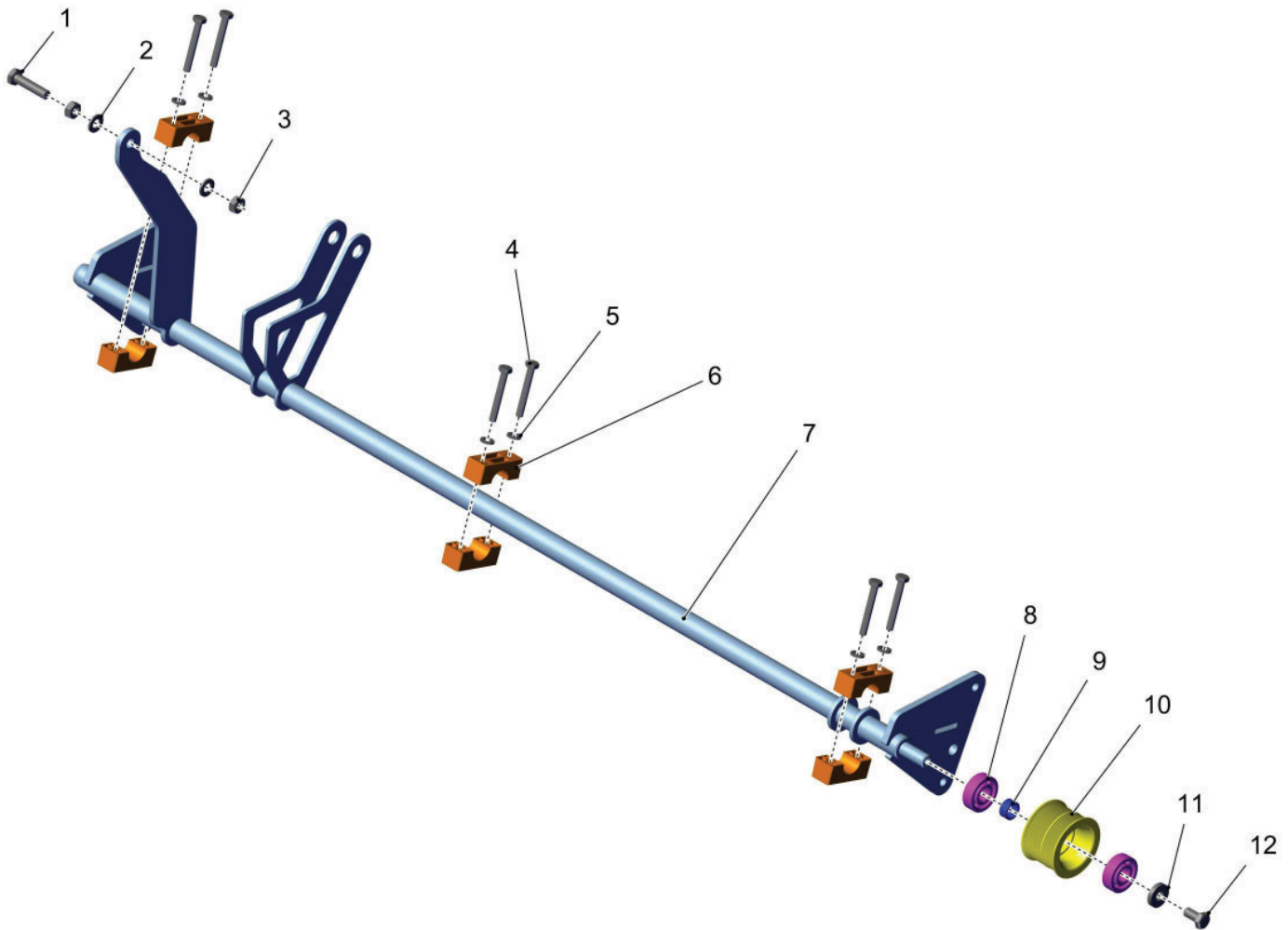
PARTS LIST - SHAFT			
ITEM	PART NO.	QTY	DESCRIPTION
1	11038072	1	HEX BOLT
2	00856290	1	WASHER
3	01380630	1	BELT PULLEY PJ4 123
4	01173010	1	FLANGE BEARING
5	00022430	1	FEATHER KEY
6	01381860	1	SHAFT BRUSH DRIVE

Sweeper Tunnel



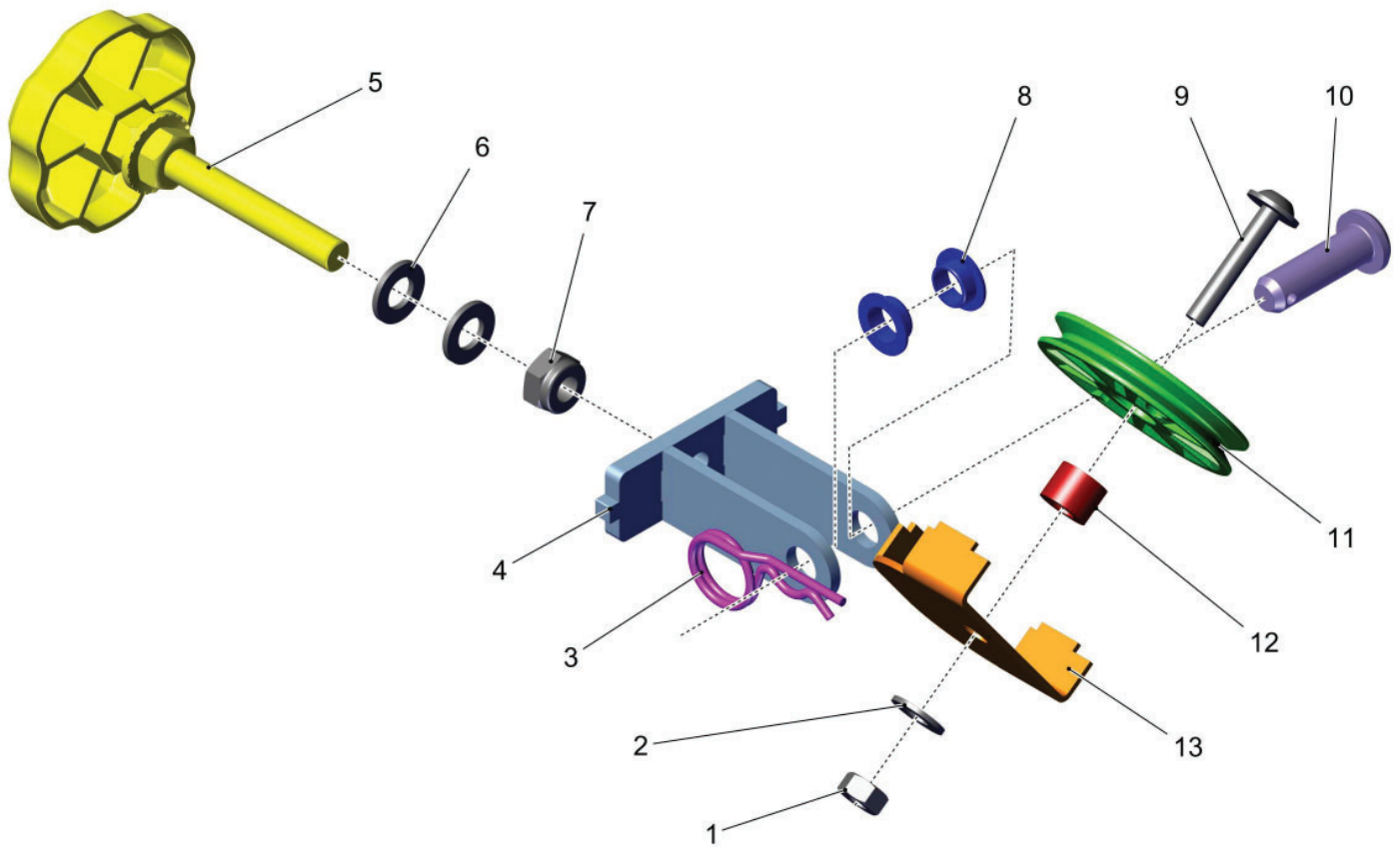
PARTS LIST - SWEEPER TUNNEL			
ITEM	PART NO.	QTY	DESCRIPTION
1	01380450	1	SEALING STRIP
2	***	1	SPARE PART ON REQUEST
3	01382110	1	SWEEP TUNNEL
4	***	1	SHAFT
5	***	1	SWEEPER TUNNEL
6	***	1	SWEEPER TUNNEL
7	***	1	SPARE PART ON REQUEST
8	01380510	1	SEALING STRIP
9	00903210	10	KNURLED NUT
10	***	1	ROCKER ARM L.H.
11	00740090	2	DETENT WASHER
12	01272710	2	LENS HEAD SCREW

Shaft



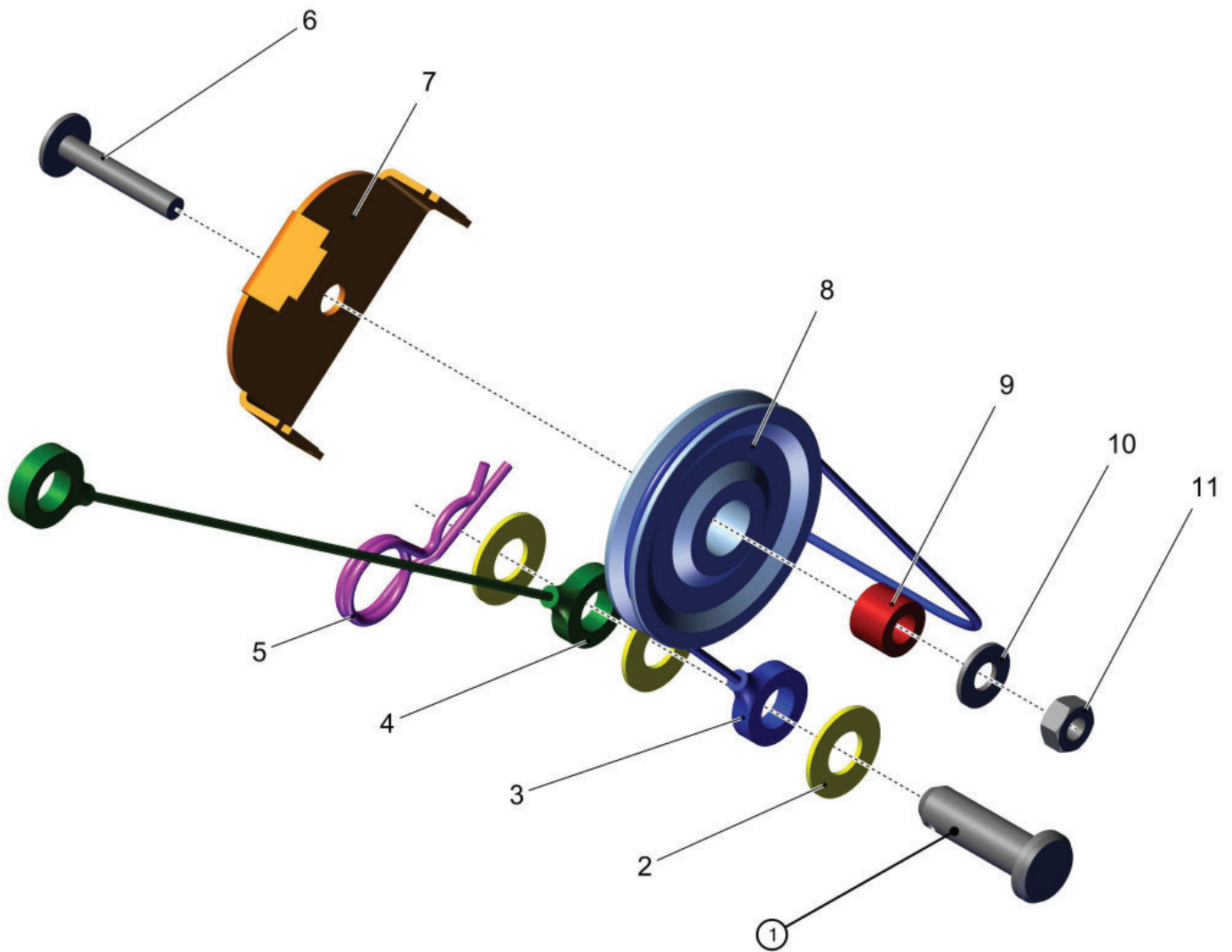
PARTS LIST - SHAFT			
ITEM	PART NO.	QTY	DESCRIPTION
1	00054690	1	HEX BOLT
2	12310041	2	WASHER
3	12022059	2	HEX NUT
4	00535110	6	HEX.BOLT
5	12310033	6	WASHER
6	01271360	6	BEARING SEAT
7	01381910	1	ROCKER SHAFT
8	00126330	2	GROOVED BALL BEARING 32MM
9	01382660	1	BUSHING
10	01380460	1	DOUBLE BELT PULLEY PJ6 U. 8 53
11	00695300	1	WASHER
12	11038197	1	HEX BOLT

Sweeper Tunnel



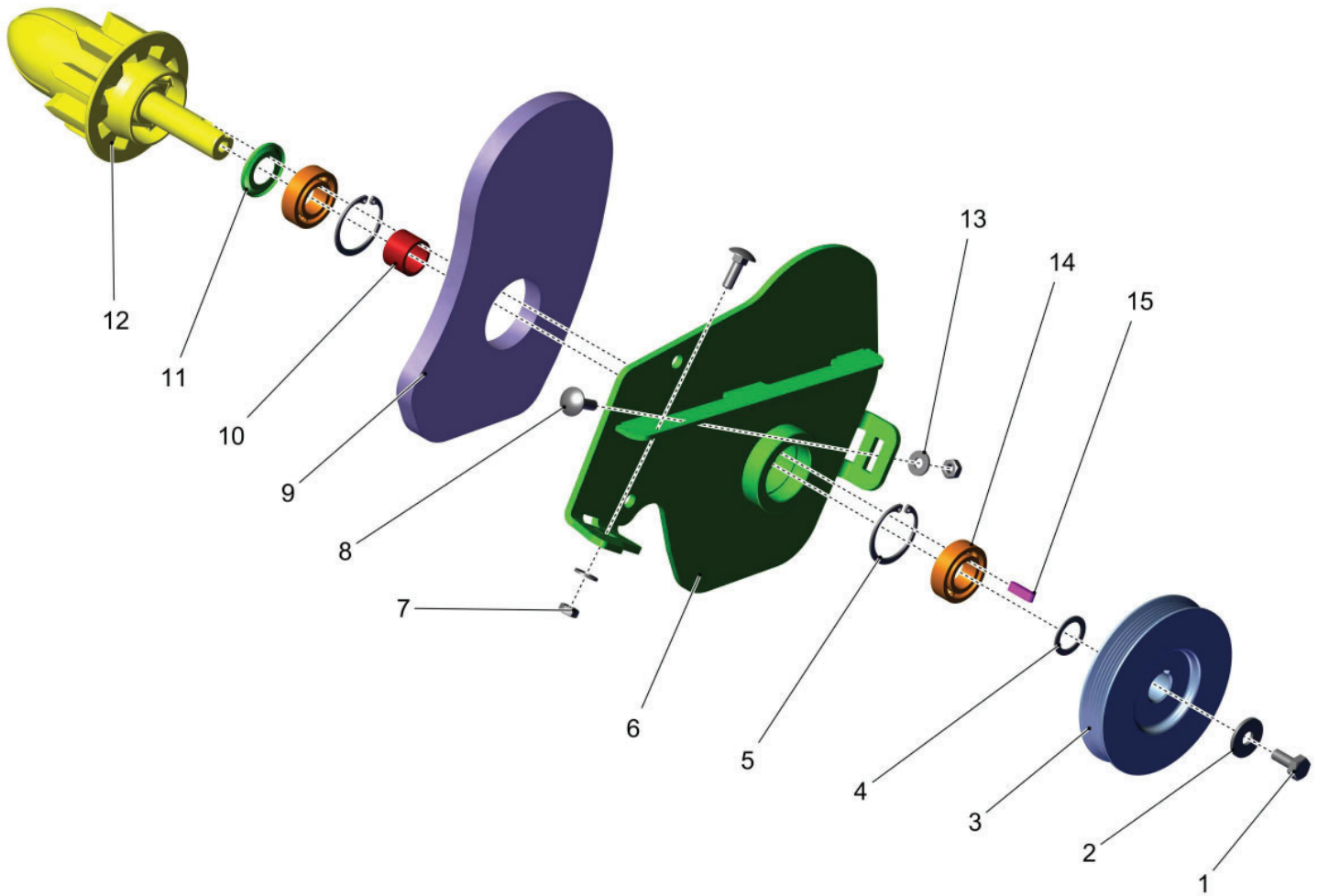
PARTS LIST - SWEEPER TUNNEL			
ITEM	PART NO.	QTY	DESCRIPTION
1	12022059	1	HEX NUT
2	00740090	1	DETENT WASHER
3	00744820	1	SPRING COTTER
4	01382100	1	DRIVER
5	***	1	SPARE PART ON REQUEST
6	12310058	2	WASHER
7	01145160	1	HEX. NUT
8	14895478	2	SLIDE BEARING BUSH
9	01134740	1	FILISTER HEAD FLANGE SCREW
10	00901430	1	BOLT
11	00521270	1	ROLLER
12	00974400	1	BUSHING
13	01370980	1	ROPE ASSURANCE

Sweeper Tunnel



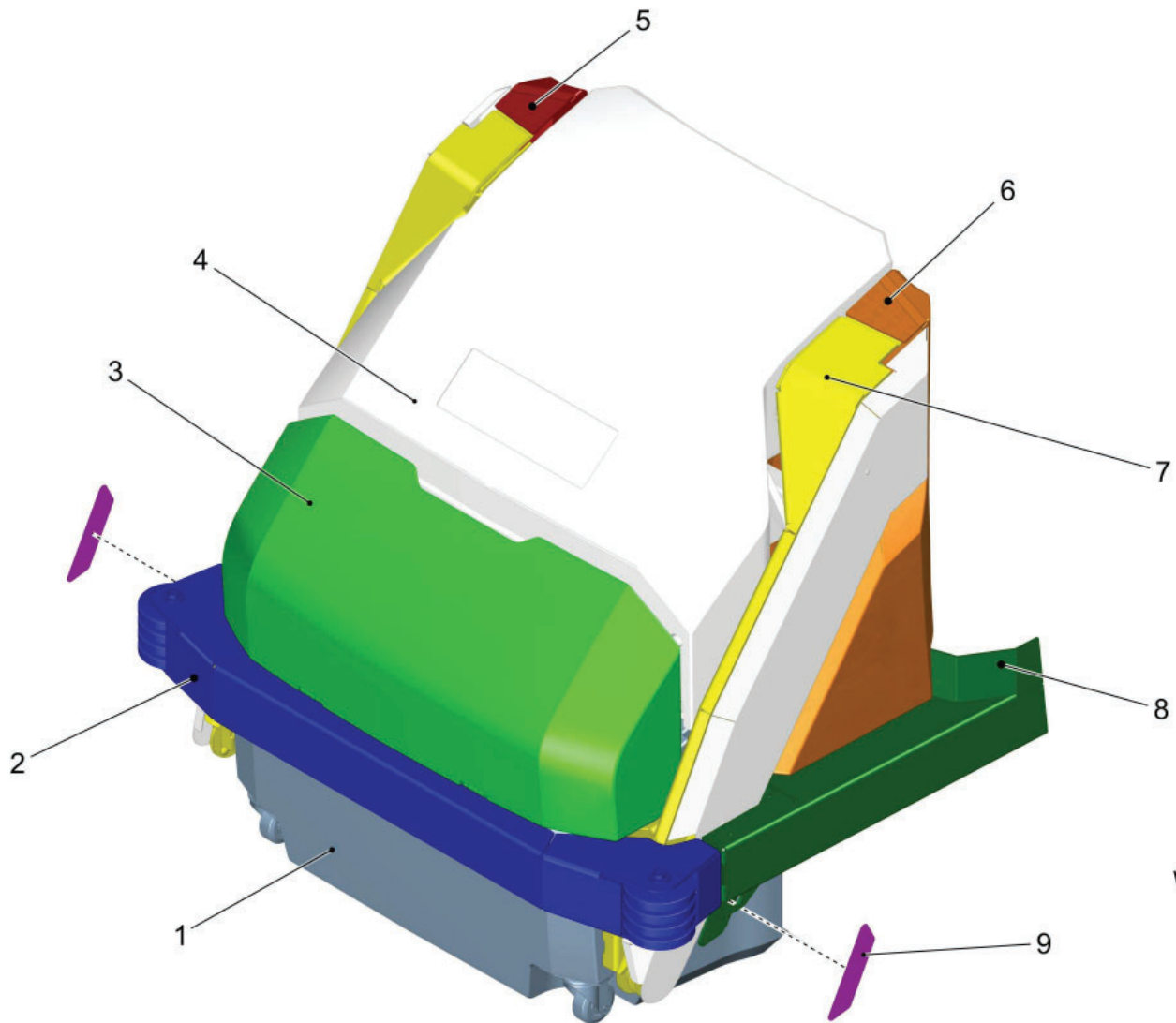
PARTS LIST - SWEEPER TUNNEL			
ITEM	PART NO.	QTY	DESCRIPTION
1	00901430	1	BOLT
2	14898019	3	APPROACH DISK
3	01380400	1	ROPE
4	01372060	1	ROPE SHORT
5	00744820	1	SPRING COTTER
6	01134740	1	FILISTER HEAD FLANGE SCREW
7	01370980	1	ROPE ASSURANCE
8	00521270	1	ROLLER
9	00974400	1	BUSHING
10	00740090	1	DETENT WASHER
11	12022059	1	HEX NUT

Rocker Arm L.H.



PARTS LIST - ROCKER ARM L.H.			
ITEM	PART NO.	QTY	DESCRIPTION
1	11038197	1	HEX BOLT
2	12332029	1	WASHER
3	01380930	1	BELT PULLEY PJ8 100
4	00155180	1	ADJUSTING WASHER
5	00101660	2	RETAINING RING
6	01380440	1	BROOM ROCKER L.H.
7	12022042	2	HEX NUT
8	01132310	2	ROUND HEAD SCREW
9	01380410	1	GASKET L.H.
10	00509180	1	SLEEVE
11	00102410	1	RING
12	01130920	1	DRIVE HUB,CYLINDRICAL
13	00730940	2	DETENT WASHER
14	00106300	2	GROOVED BALL BEARING 35MM
15	00022430	1	FEATHER KEY

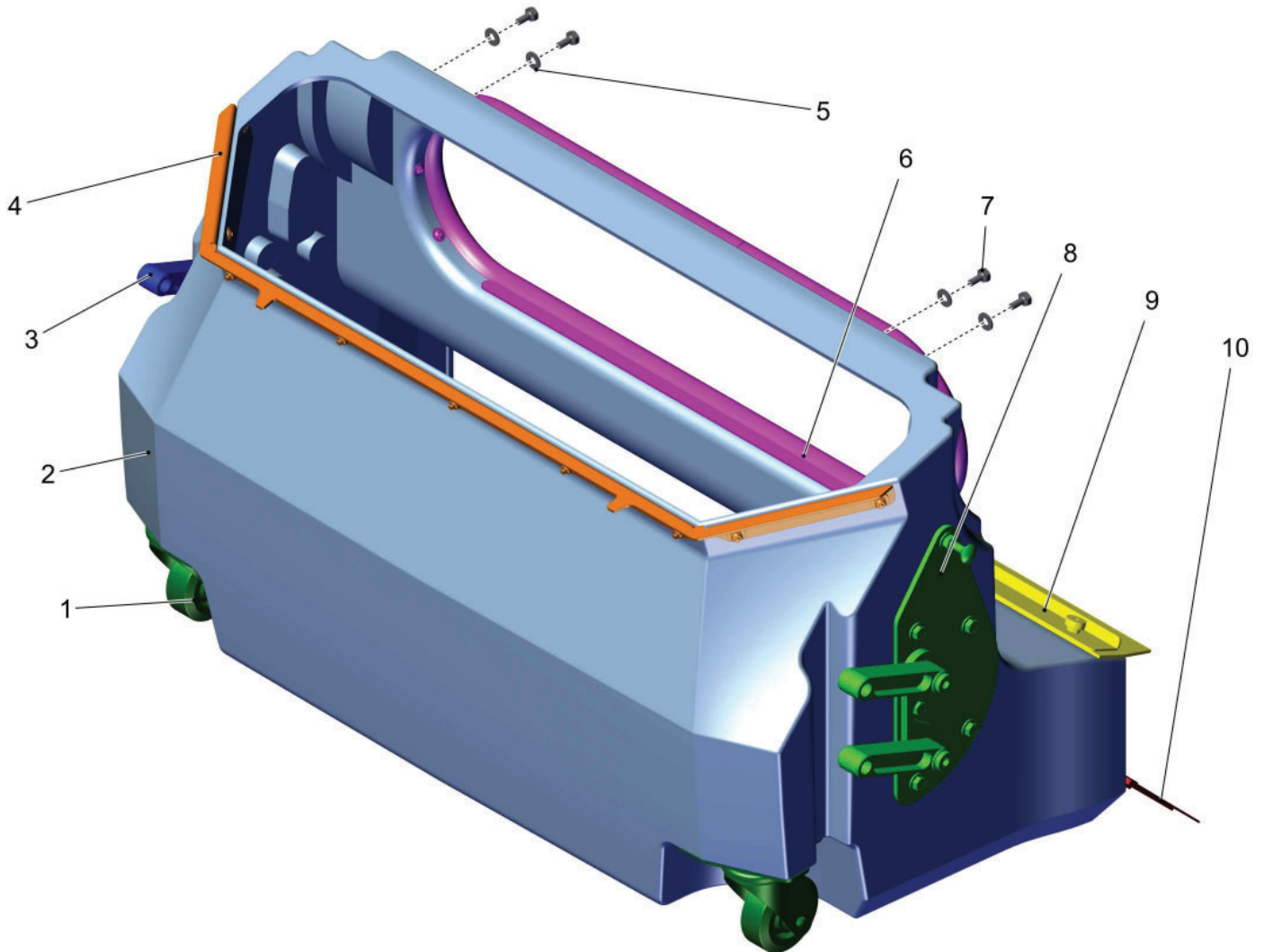
Pre-Sweep Unit H



W59

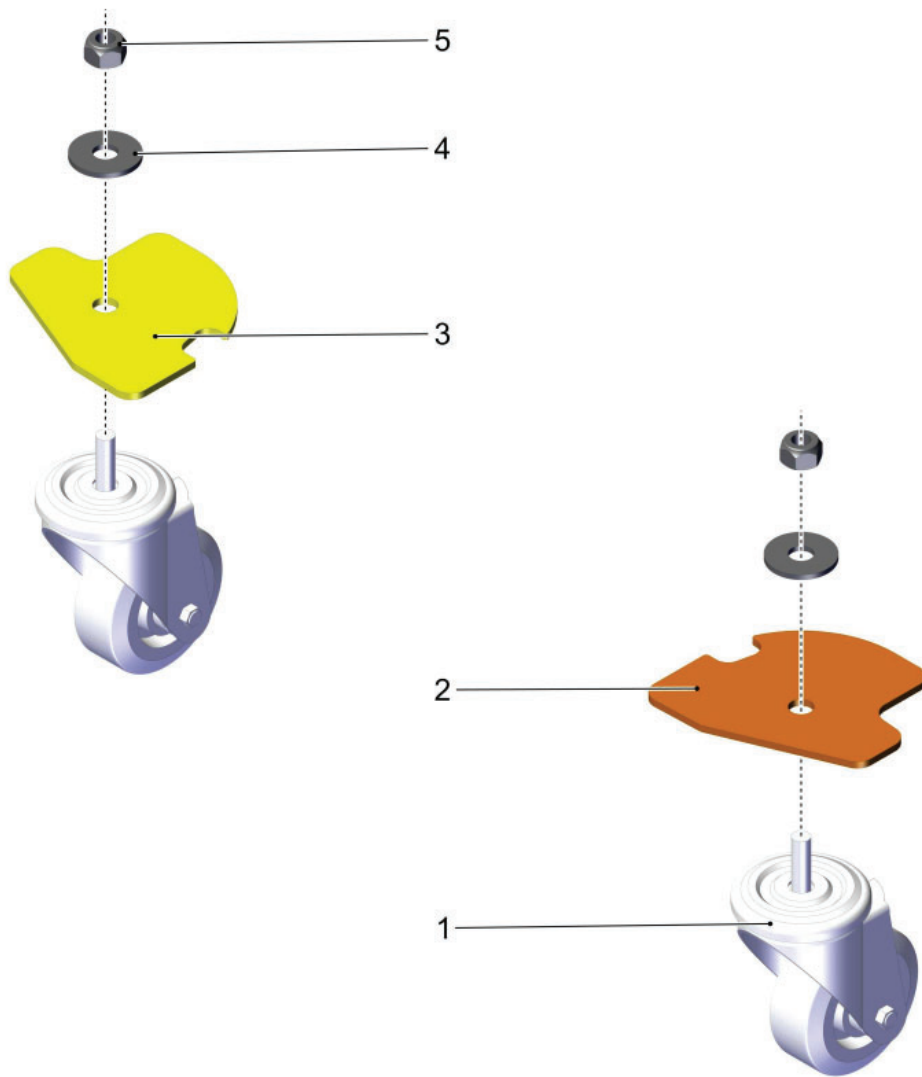
PARTS LIST - PRE-SWEEP UNIT H			
ITEM	PART NO.	QTY	DESCRIPTION
1	***	1	TANK H
2	***	1	PRE-SWEEP UNIT H
3	***	1	TANK FLAP
4	***	1	PRE-SWEEP UNIT H
5	97166110	1	92080530 SIDE COVERING R.H.
6	***	1	SIDE COVERING L.H.
7	***	1	PRE-SWEEP UNIT H
8	***	1	PRE-SWEEP UNIT H
9	***	2	SPARE PART ON REQUEST
W59	03023660	1	WIRING HARNESS W59

Tank H



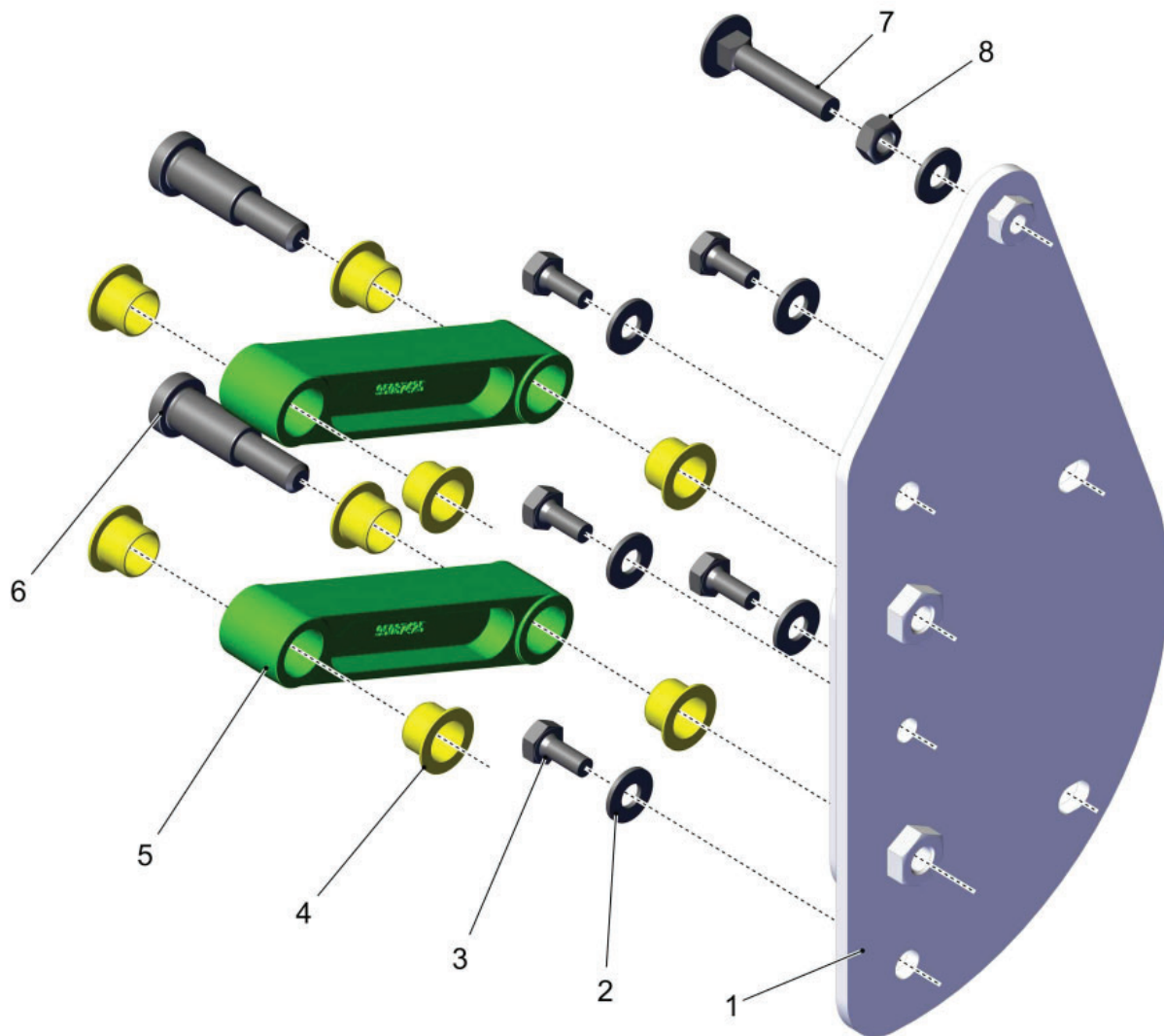
PARTS LIST - TANK H			
ITEM	PART NO.	QTY	DESCRIPTION
1	***	1	TANK H
2	***	1	SPARE PART ON REQUEST
3	***	1	TANK H
4	***	1	TANK H
5	00740090	4	DETENT WASHER
6	***	1	TANK H
7	11038197	4	HEX BOLT
8	***	1	TANK H
9	***	1	TANK H
10	***	1	TANK H

Tank H



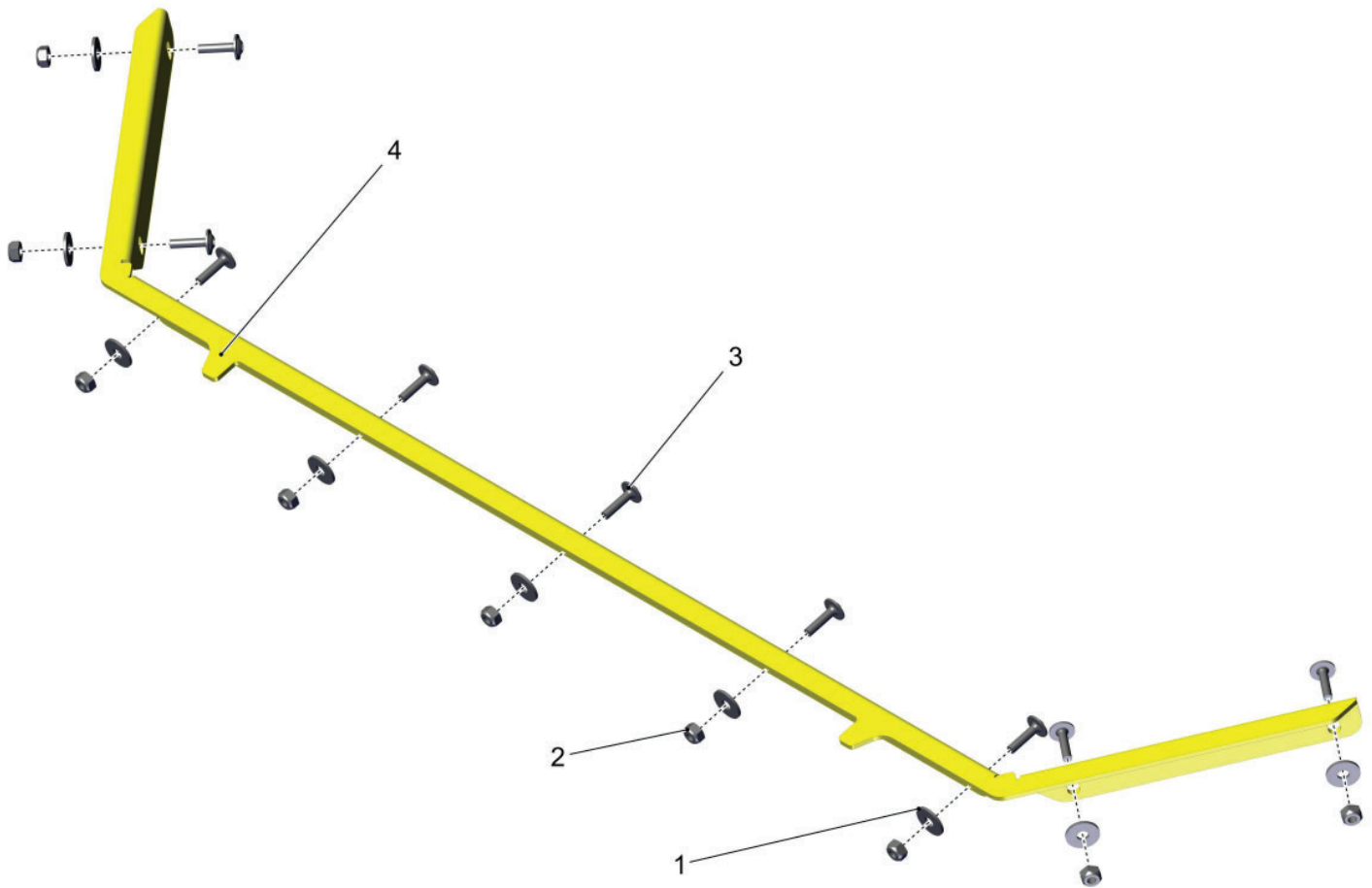
PARTS LIST -			
ITEM	PART NO.	QTY	DESCRIPTION
1	01171780	2	STEERING ROLLER
2	***	1	SPARE PART ON REQUEST
3	***	1	SPARE PART ON REQUEST
4	***	2	SPARE PART ON REQUEST
5	***	2	SPARE PART ON REQUEST

Tank H



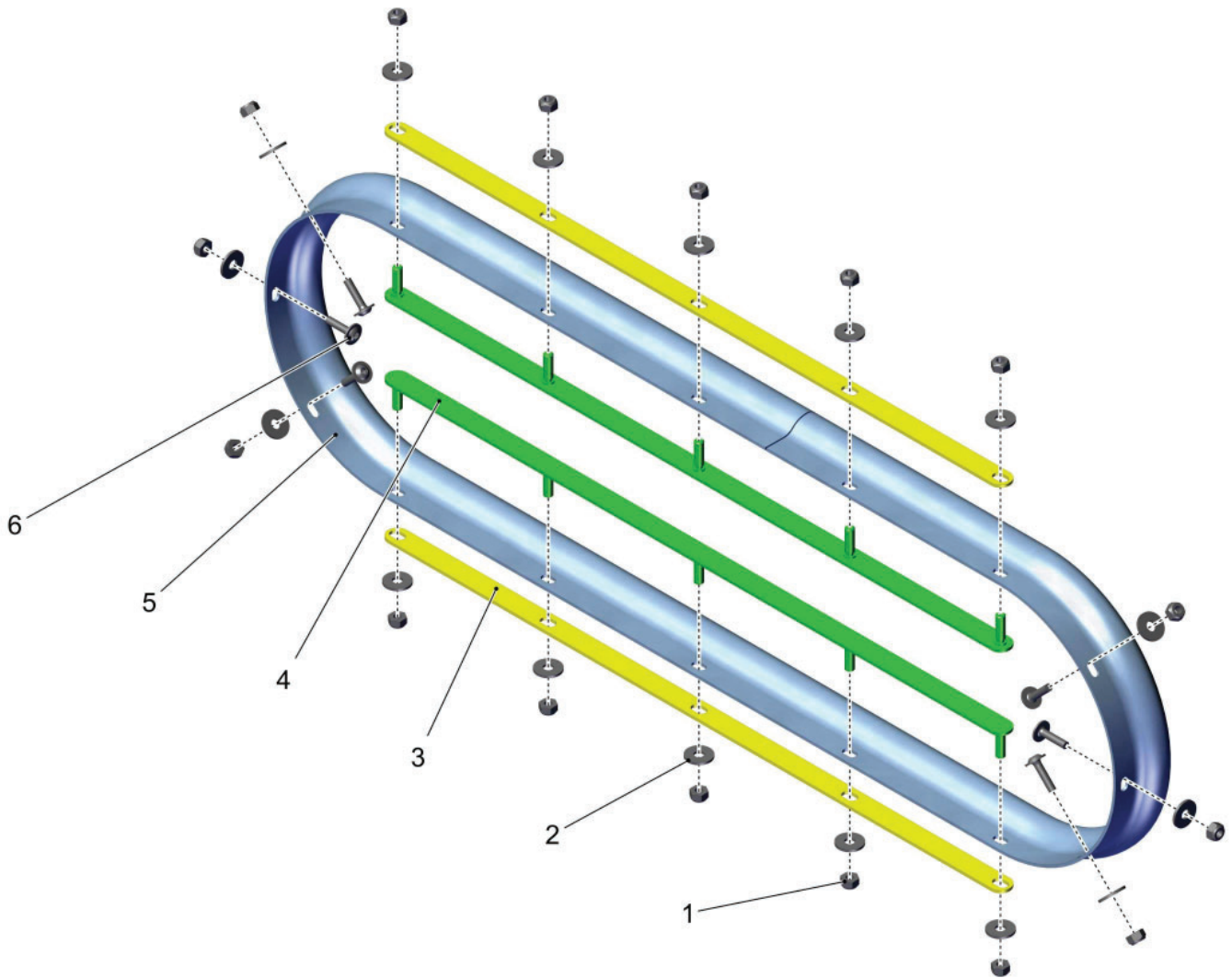
PARTS LIST - TANK H			
ITEM	PART NO.	QTY	DESCRIPTION
1	***	1	SPARE PART ON REQUEST
2	00740090	6	DETENT WASHER
3	11038197	5	HEX BOLT
4	01073860	8	SLIDE BEARING BUSH
5	01073870	2	LEVER
6	01374100	2	FITTING SCREW
7	01133860	1	ROUND HEAD SCREW
8	12022059	1	HEX NUT

Tank H



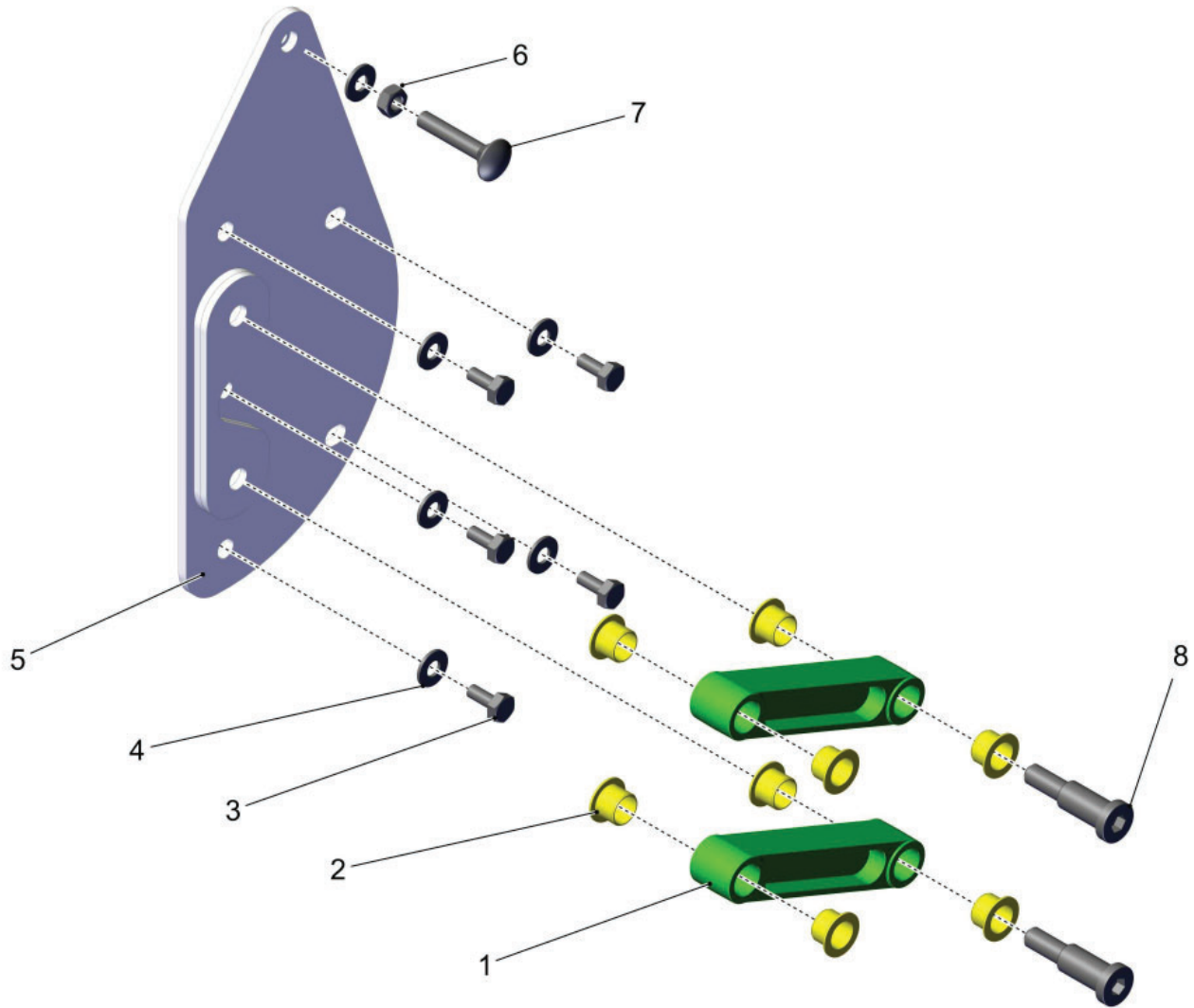
PARTS LIST - TANK H			
ITEM	PART NO.	QTY	DESCRIPTION
2	00102140	9	HEX. NUT
3	01174700	9	LENS FLANGE SCREW
4	***	1	SPARE PART ON REQUEST
4	***	1	SPARE PART ON REQUEST

Tank H



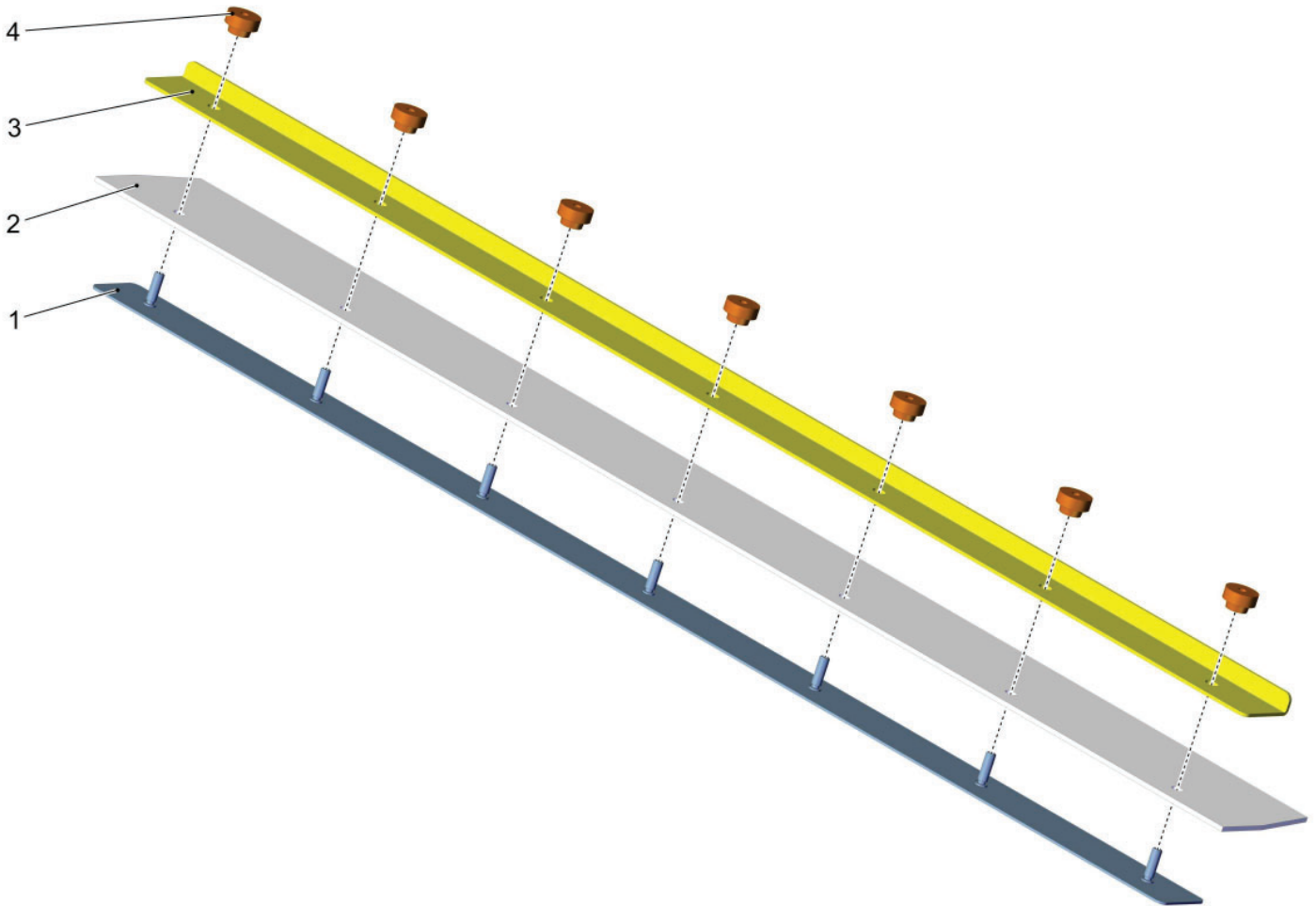
PARTS LIST - TANK H			
ITEM	PART NO.	QTY	DESCRIPTION
1	00102140	16	HEXAGON NUT
2	00854210	16	WASHER
3	***	2	SPARE PART ON REQUEST
4	***	2	SPARE PART ON REQUEST
5	01380990	1	TANK GASKET
6	01174700	6	LENS FLANGE SCREW

Tank H



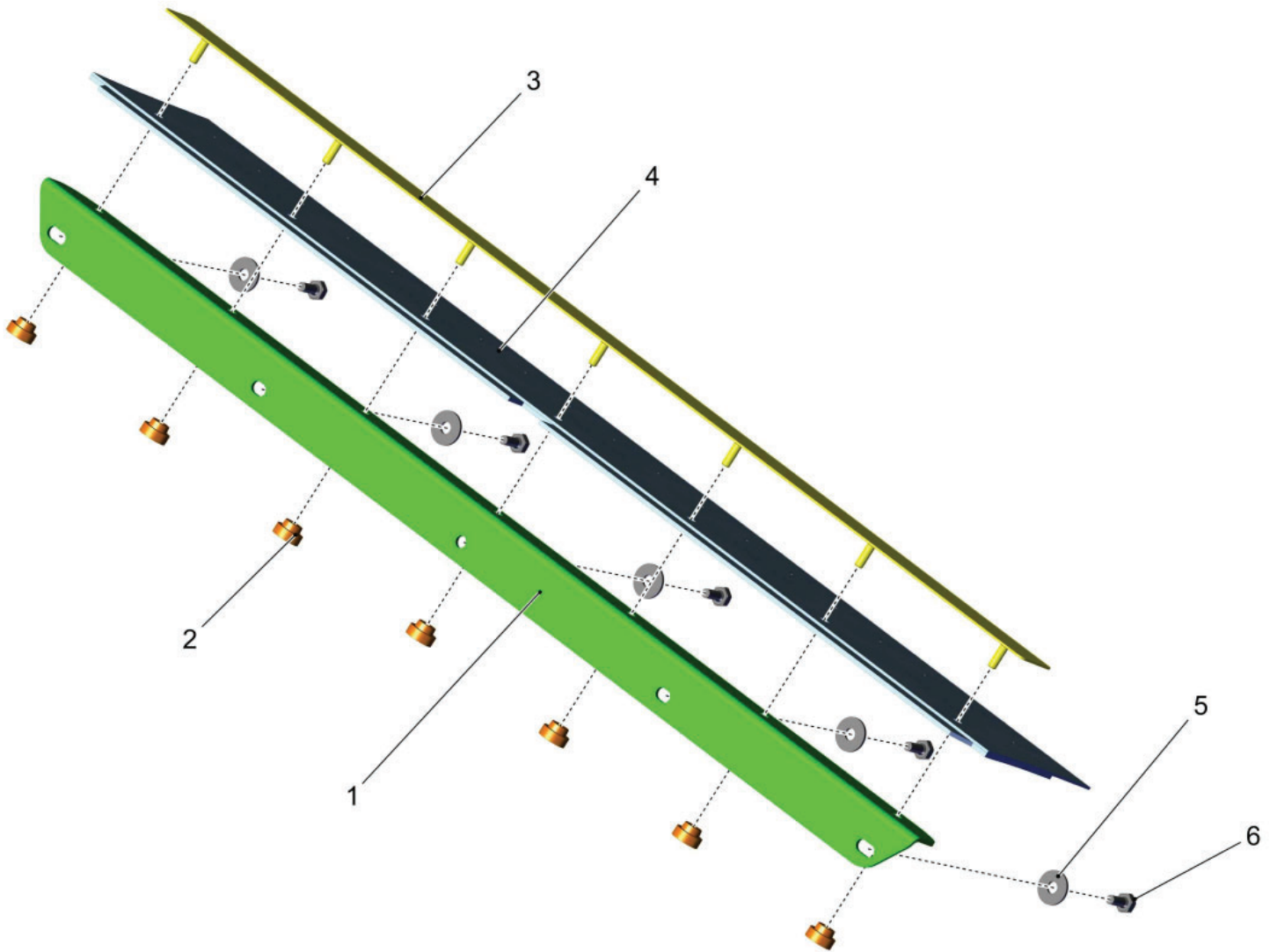
PARTS LIST - TANK H			
ITEM	PART NO.	QTY	DESCRIPTION
1	01073870	2	LEVER
2	01073860	8	SLIDE BEARING BUSH
3	11038197	5	HEX BOLT
4	00740090	6	DETENT WASHER
5	***	1	SPARE PART ON REQUEST
6	12022059	1	HEX NUT
7	01133860	1	ROUND HEAD SCREW
8	01374100	2	FITTING SCREW

Tank H



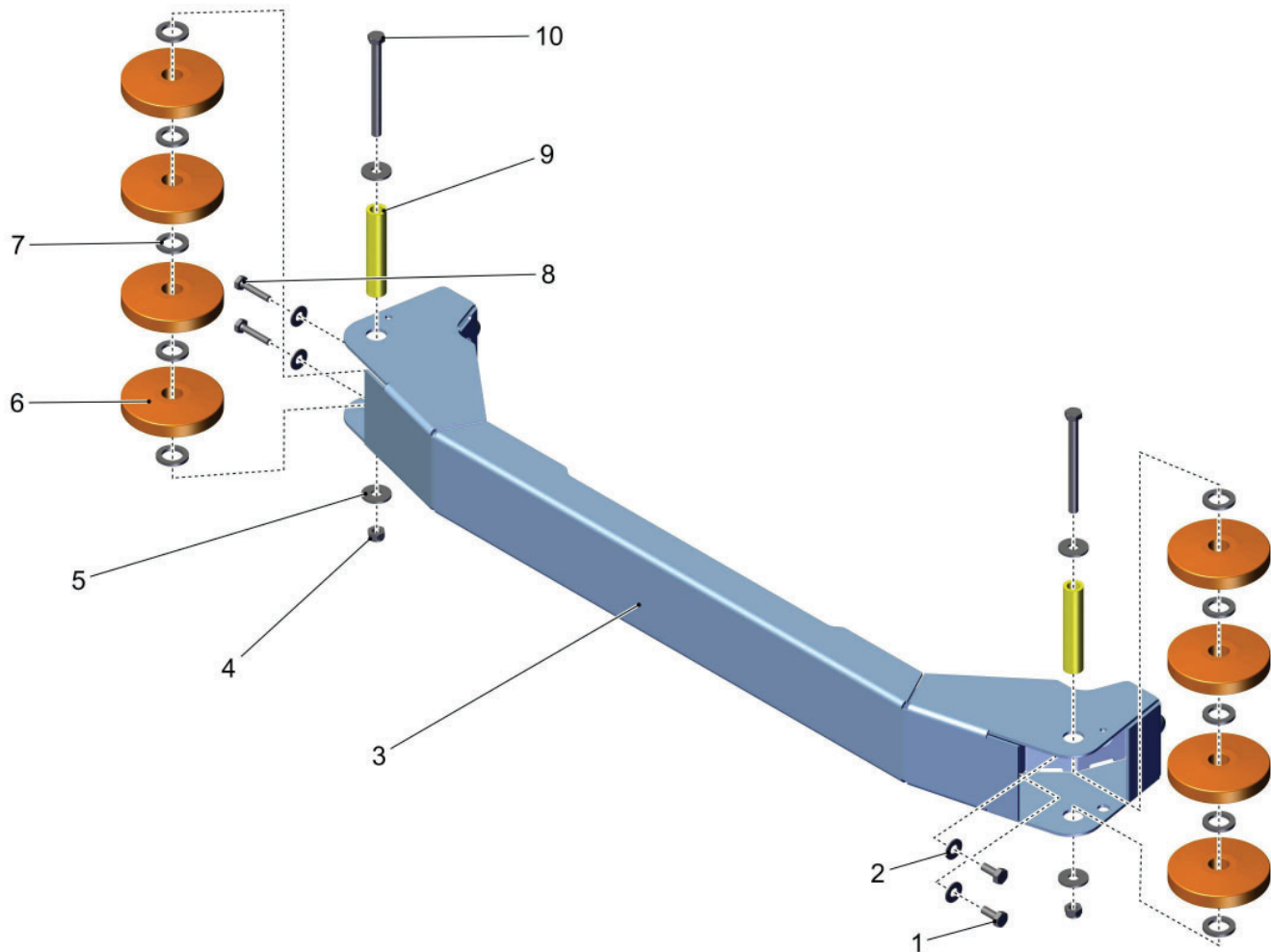
PARTS LIST - TANK H			
ITEM	PART NO.	QTY	DESCRIPTION
1	***	1	SPARE PART ON REQUEST
2	01380640	1	SEALING STRIP
3	***	1	SPARE PART ON REQUEST
4	00903210	7	KNURLED NUT

Tank H



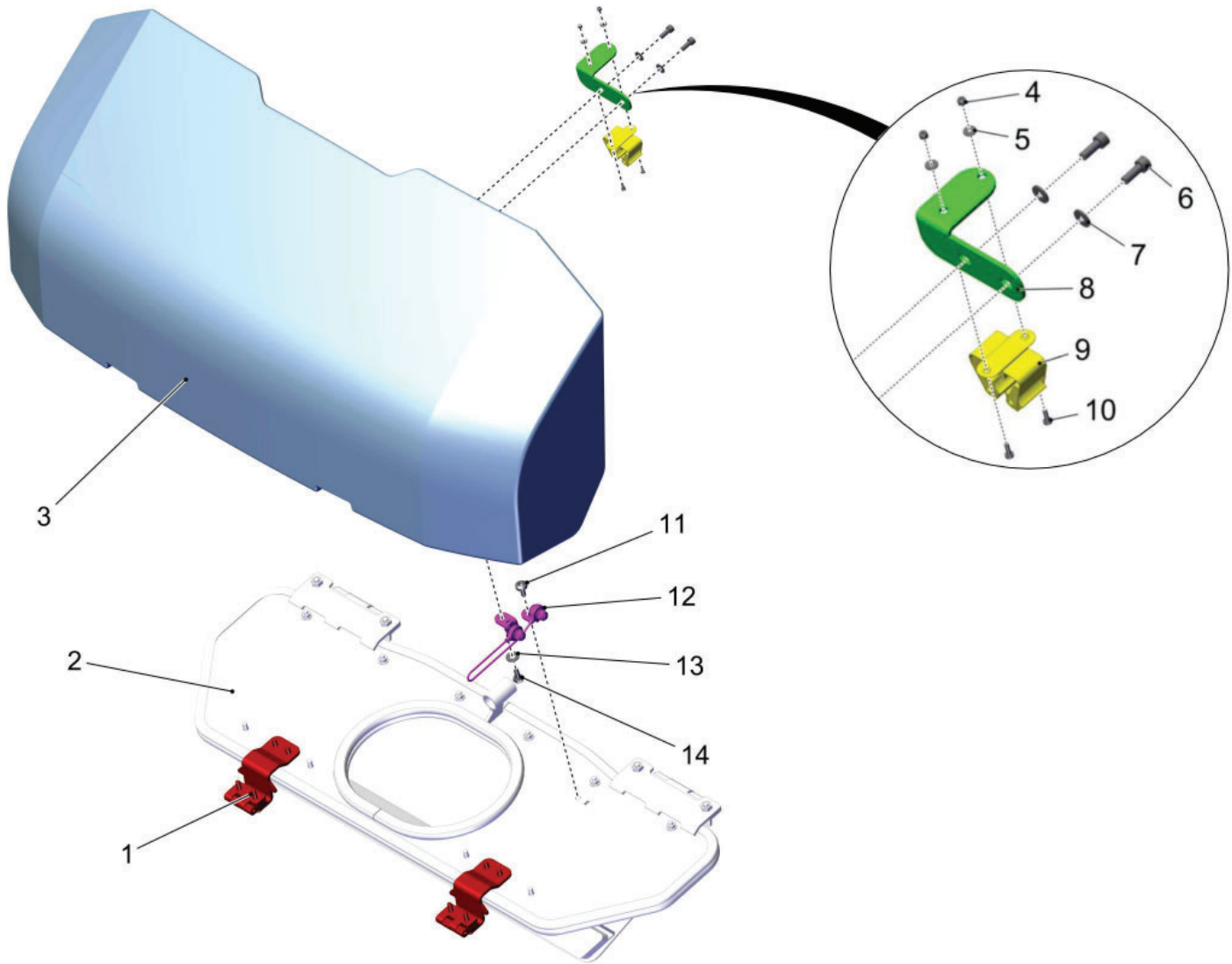
PARTS LIST - TANK H			
ITEM	PART NO.	QTY	DESCRIPTION
1	***	1	SPARE PART ON REQUEST
2	00903210	7	KNURLED NUT
3	***	1	SPARE PART ON REQUEST
4	01381030	1	SWEEPING APRON
5	12332136	5	WASHER
6	11039609	5	HEX.BOLT

Pre-Sweep Unit H



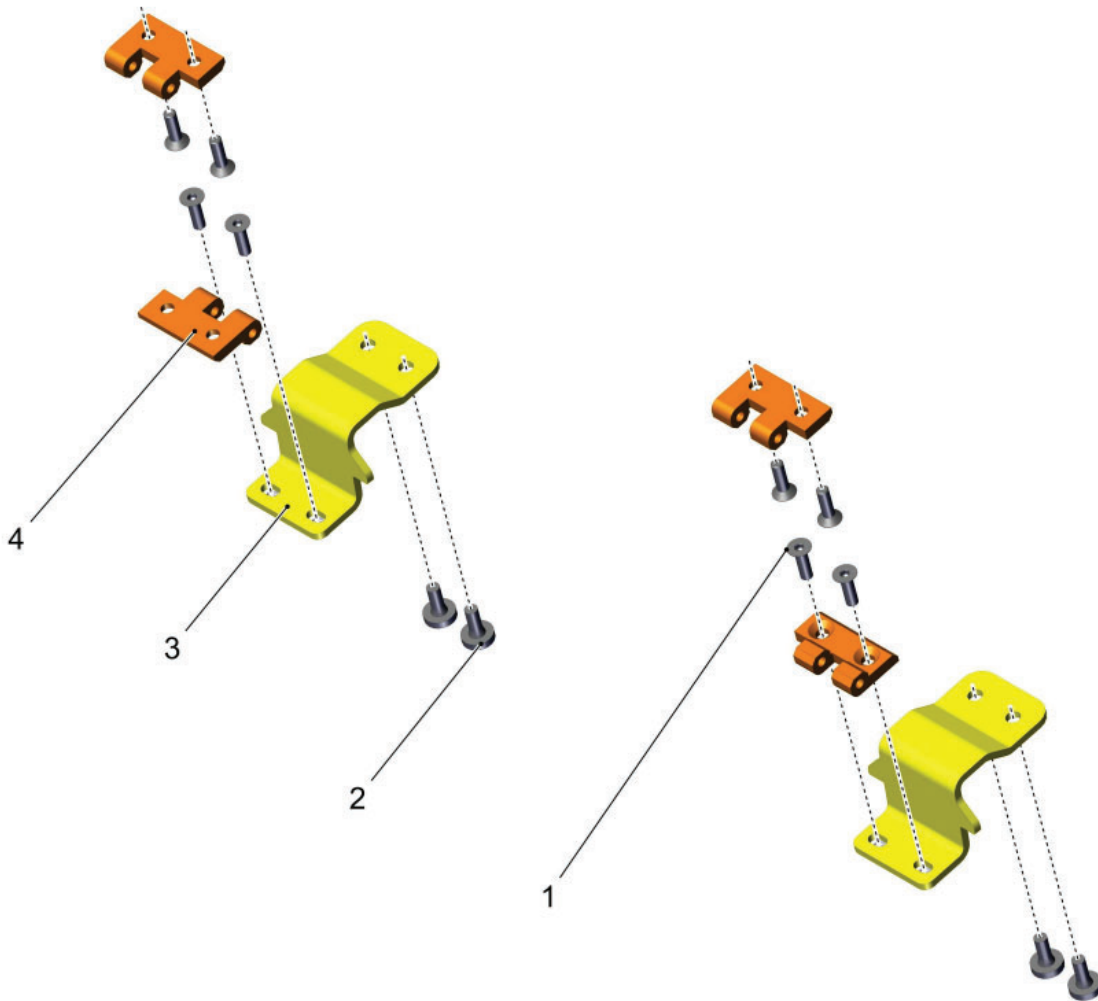
PARTS LIST - PRE-SWEEP UNIT H			
ITEM	PART NO.	QTY	DESCRIPTION
1	00053190	2	HEX BOLT
2	00875950	4	WASHER
3	***	1	SPARE PART ON REQUEST
4	12040077	2	HEX. NUT
5	00132610	4	WASHER
6	01371490	8	DEFLECTOR
7	00509010	10	WASHER
8	***	2	SPARE PART ON REQUEST
9	***	2	SPARE PART ON REQUEST
10	00133900	2	HEXAGON SCREW

Tank Flap



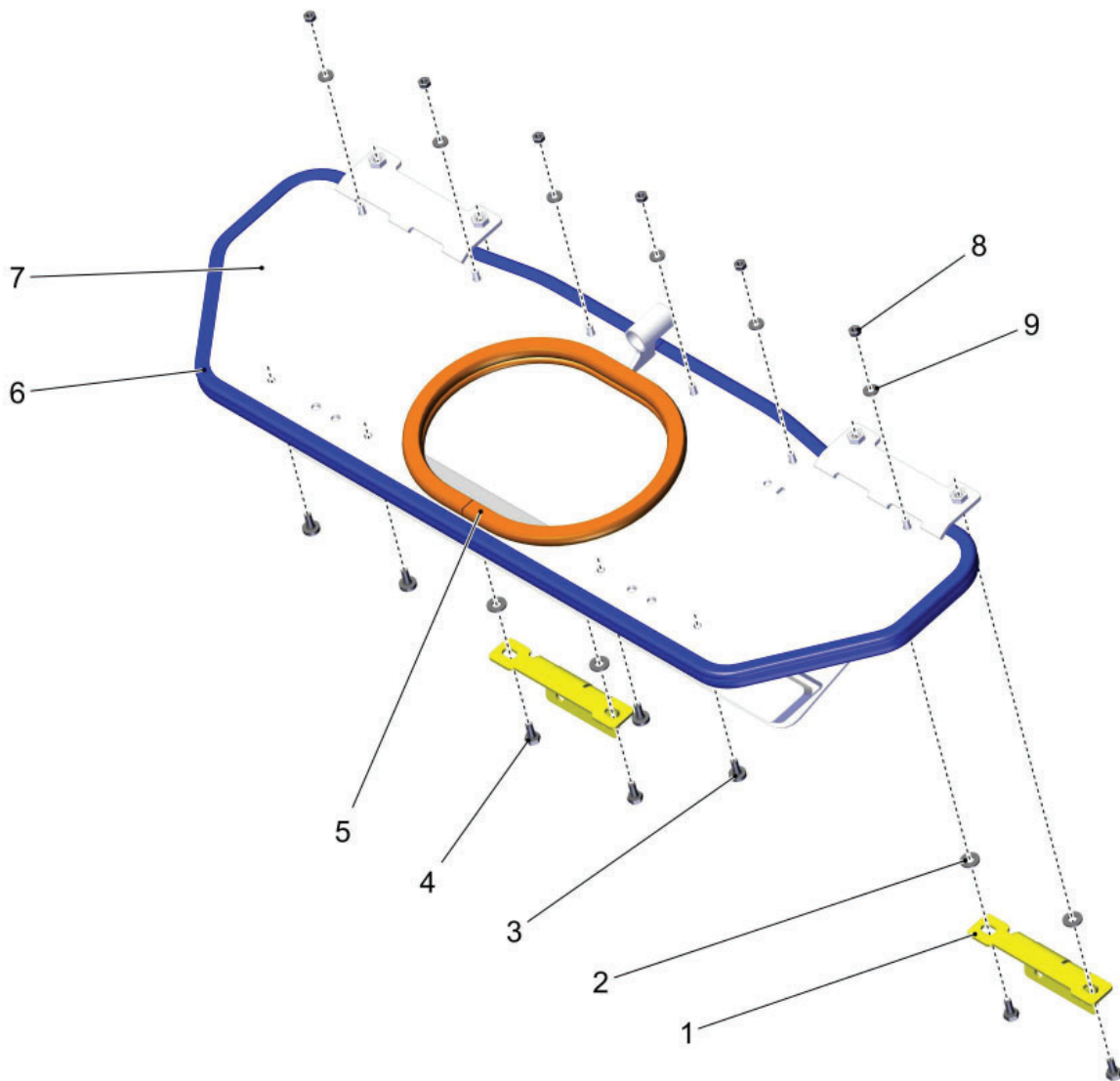
PARTS LIST - TANK FLAP			
ITEM	PART NO.	QTY	DESCRIPTION
1	***	1	TANK FLAP
2	***	1	TANK FLAP
3	01382130	1	TANK FLAP
4	00022200	2	HEX NUT
5	12332110	2	WASHER
6	11126166	2	SOCKET HEAD CAP SCREW
7	00730940	2	DETENT WASHER
8	***	1	SPARE PART ON REQUEST
9	01075880	1	RETAINER
10	00535780	2	FILLISTER HEAD SCREW
11	01272710	1	LENS HEAD SCREW
12	***	1	TANK FLAP
13	00740090	1	DETENT WASHER
14	11038197	1	HEX BOLT

Tank Flap



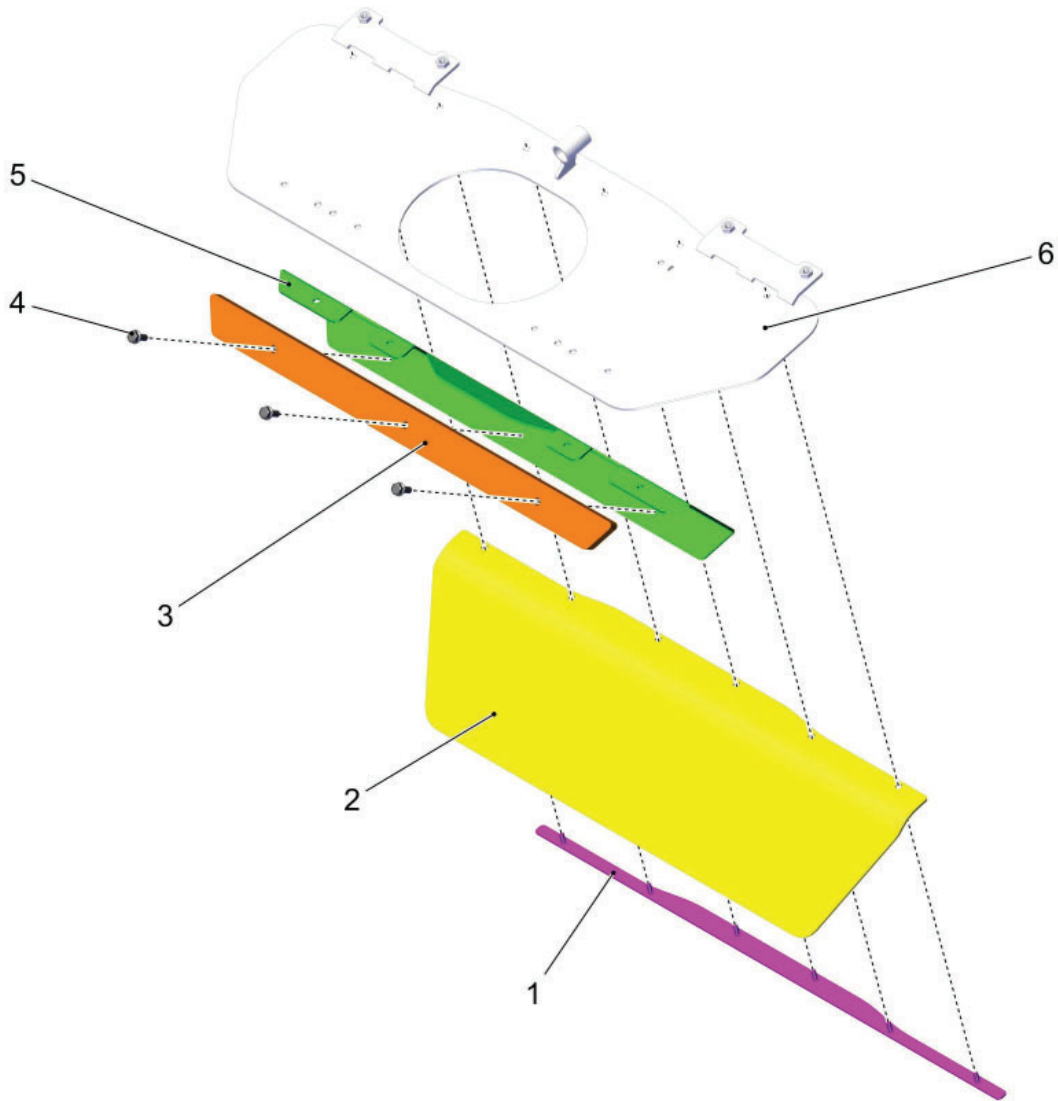
PARTS LIST - TANK FLAP			
ITEM	PART NO.	QTY	DESCRIPTION
1	01271620	8	COUNTERSUNK SCREW
2	01272710	4	LENS HEAD SCREW
3	***	2	SPARE PART ON REQUEST
4	00740450	2	HINGE

Tank Flap



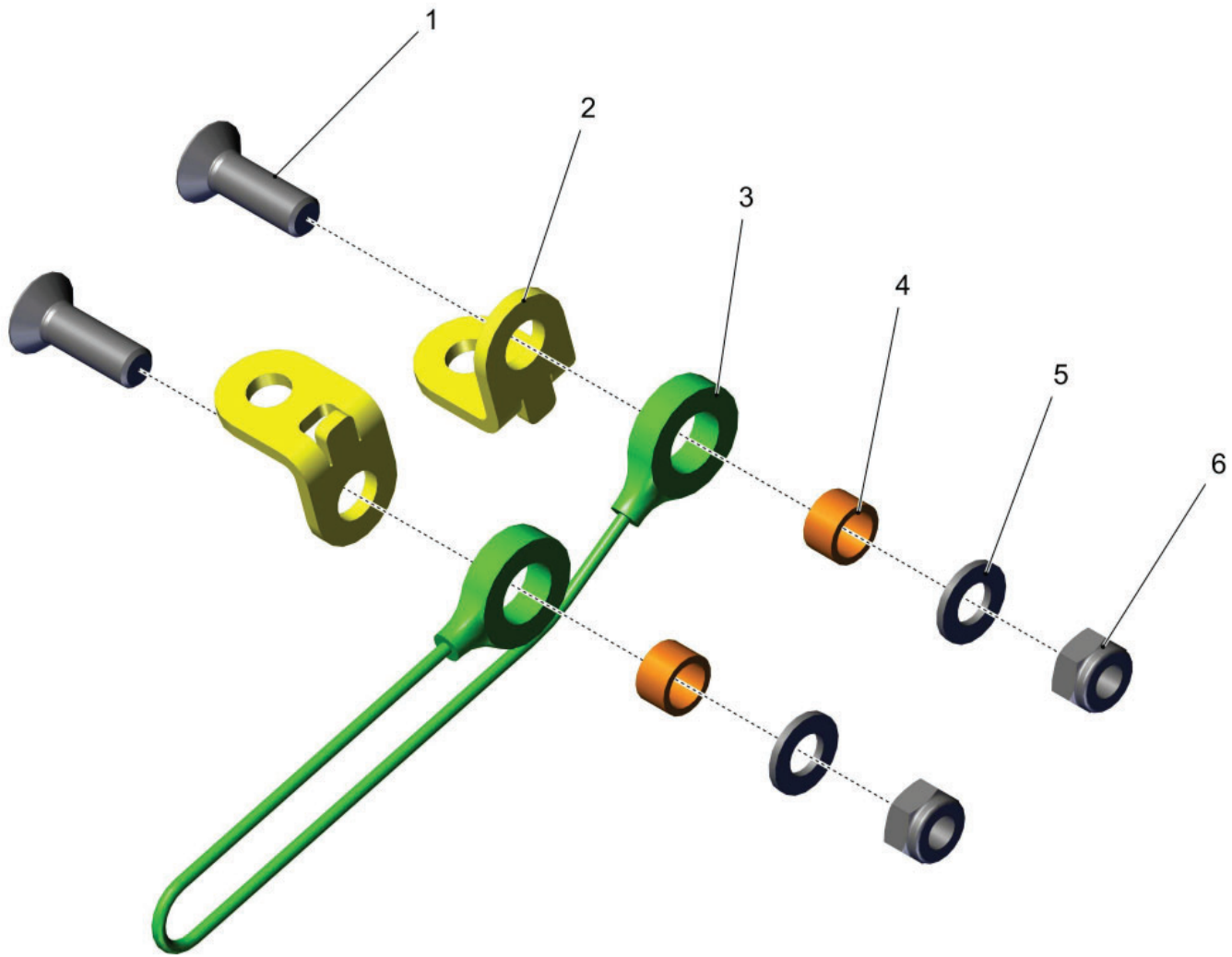
PARTS LIST - TANK FLAP			
ITEM	PART NO.	QTY	DESCRIPTION
1	01171900	2	HINGE
2	00740090	4	DETENT WASHER
3	01272710	4	LENS HEAD SCREW
4	11038197	4	HEX BOLT
5	00171900	0,730	EDGE PROTECTION
6	00171900	2,005	EDGE PROTECTION
7	***	1	TANK FLAP
8	12022042	6	HEX NUT
9	00730940	6	DETENT WASHER

Tank Flap



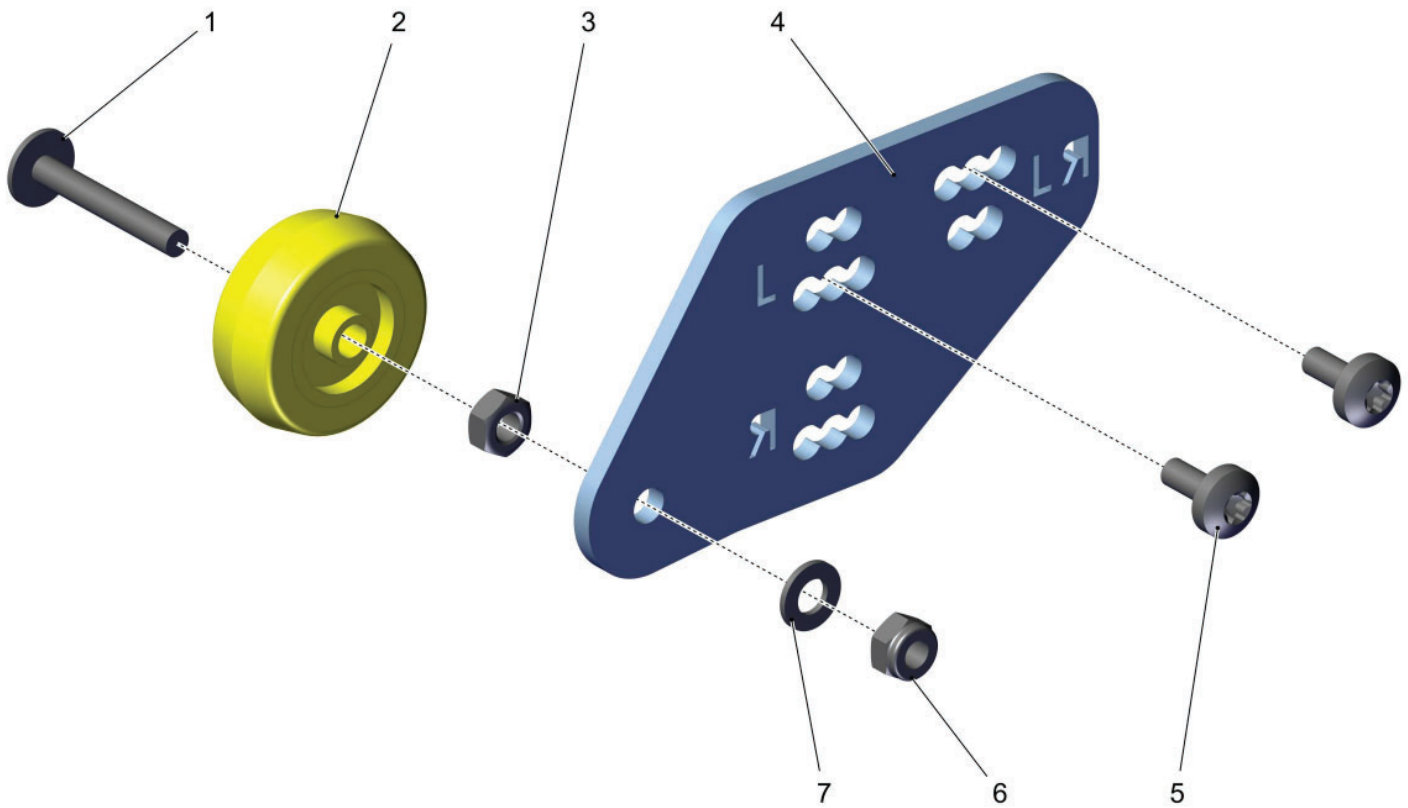
PARTS LIST - TANK FLAP			
ITEM	PART NO.	QTY	DESCRIPTION
1	***	1	SPARE PART ON REQUEST
2	01382090	1	DEFLECTOR
3	***	1	SPARE PART ON REQUEST
4	00109720	3	SCREW
5	***	1	SPARE PART ON REQUEST
6	***	1	SPARE PART ON REQUEST

Tank Flap



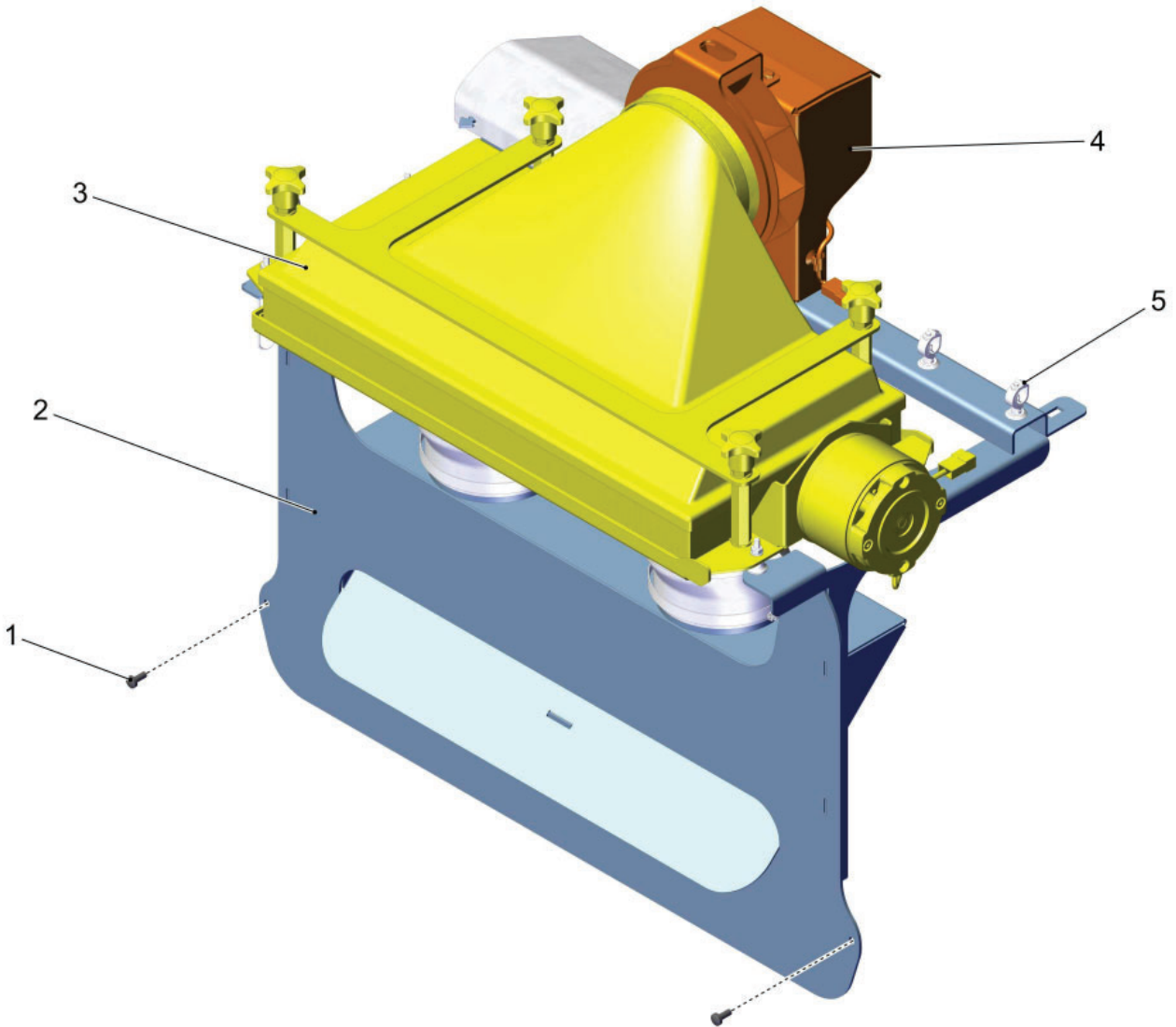
PARTS LIST - TANK FLAP			
ITEM	PART NO.	QTY	DESCRIPTION
1	00101500	2	COUNTERSUNK SCREW
2	***	2	SPARE PART ON REQUEST
3	01371970	1	ROPE LONG
4	00557730	2	SPREADER TUBE
5	12310041	2	WASHER
6	12040051	2	HEX. NUT

Pre-Sweep Unit H



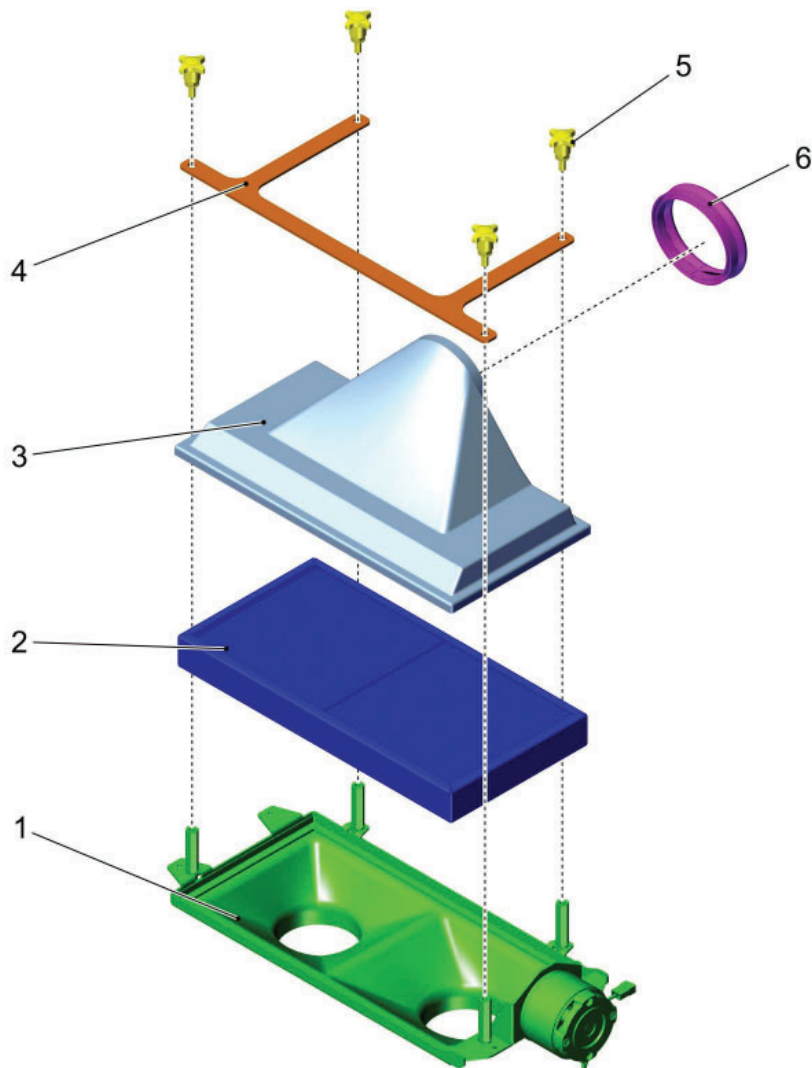
PARTS LIST - PRE-SWEEP UNIT H			
ITEM	PART NO.	QTY	DESCRIPTION
1	01271570	1	LENS FLANGE SCREW
2	01371530	1	STEERING ROLLER
3	12022059	1	HEX NUT
4	***	1	SPARE PART ON REQUEST
5	01272710	2	LENS HEAD SCREW
6	12040051	1	HEX. NUT
7	12310041	1	WASHER

Pre-Sweep Unit H



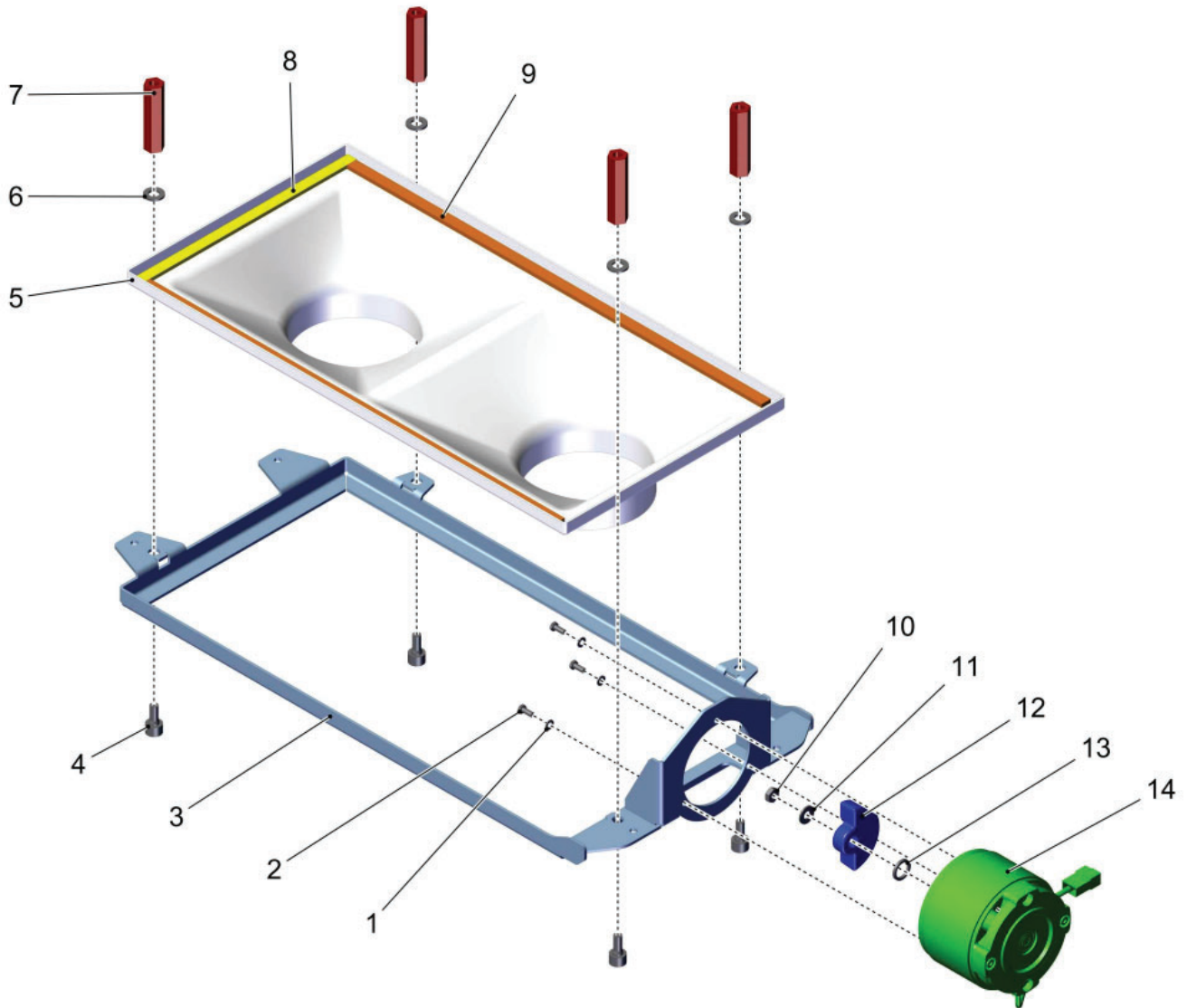
PARTS LIST - PRE-SWEEP UNIT H			
ITEM	PART NO.	QTY	DESCRIPTION
1	00539730	2	SCREW
2	03024010	1	SUCTION FUNNEL
3	***	1	FILTER BOX H
4	97166540	1	ASPIRATOR H
5	***	1	PRE-SWEEP UNIT H

Filter Box H



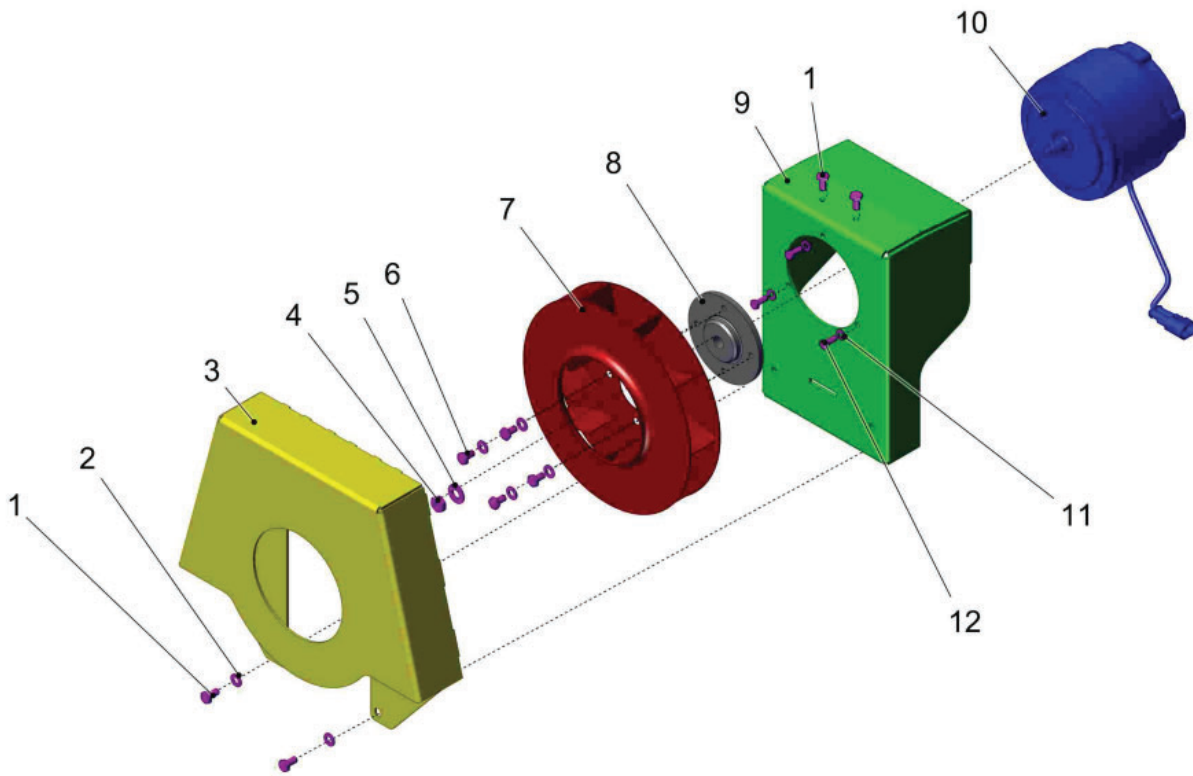
PARTS LIST - FILTER BOX H			
ITEM	PART NO.	QTY	DESCRIPTION
1	***	1	FILTER BOX H
2	00251060	1	PLATE FILTER
3	01381040	1	FILTER HOOD
4	***	1	SPARE PART ON REQUEST
5	01380920	4	STAR HANDLE YELLOW
6	01031770	0,448	SEALING PROFILE

Filter Box H



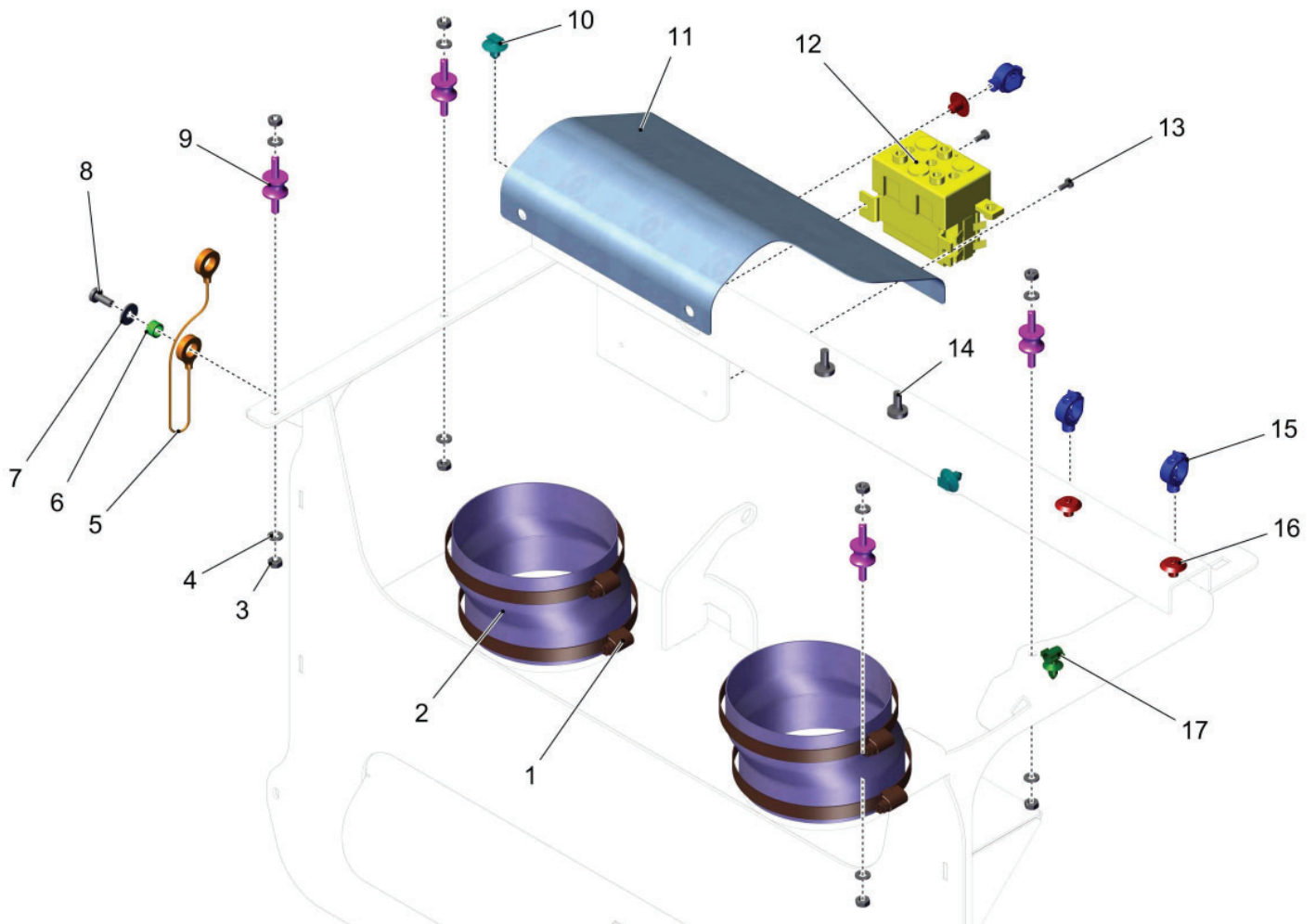
PARTS LIST - FILTER BOX H			
ITEM	PART NO.	QTY	DESCRIPTION
1	12310025	3	WASHER
2	00152800	3	HEX.BOLT
3	***	1	SPARE PART ON REQUEST
4	00108590	4	SOCKET HEAD SCREW
5	***	1	SPARE PART ON REQUEST
6	12310058	4	WASHER
7	***	4	SPARE PART ON REQUEST
8	00748620	0,280	GASKET (EACH = METERS)
9	00748620	0,535	GASKET (EACH = METERS)
10	00747350	1	HEX. NUT
11	00740090	1	DETENT WASHER
12	00704270	1	VIBRATION TRADE
13	***	1	
14	01380590	1	MOTOR

Aspirator H



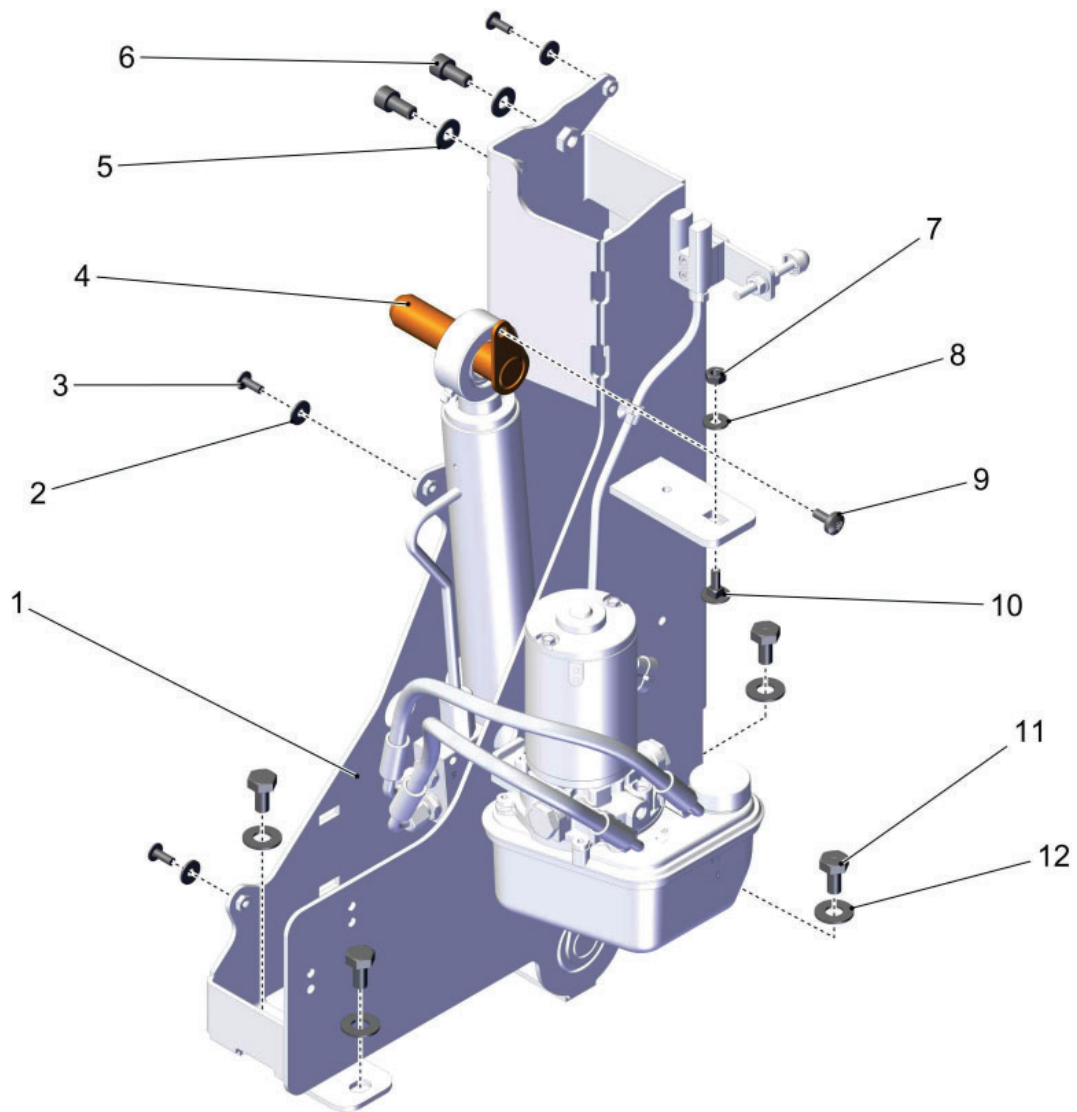
PARTS LIST - ASPIRATOR H			
ITEM	PART NO.	QTY	DESCRIPTION
1	01171270		SCREW
2	00740280		WASHER
3	***		SPARE PART ON REQUEST
4	00747350		HEX. NUT
5	00740090		DETENT WASHER
6	11038056		HEXAGON SCREW
7	00661680		FAN WHEEL
8	***		SPARE PART ON REQUEST
9	***		SPARE PART ON REQUEST
10	01380590		MOTOR
11	12310025		WASHER
12	00152800		HEX.BOLT

Pre-Sweep Unit H



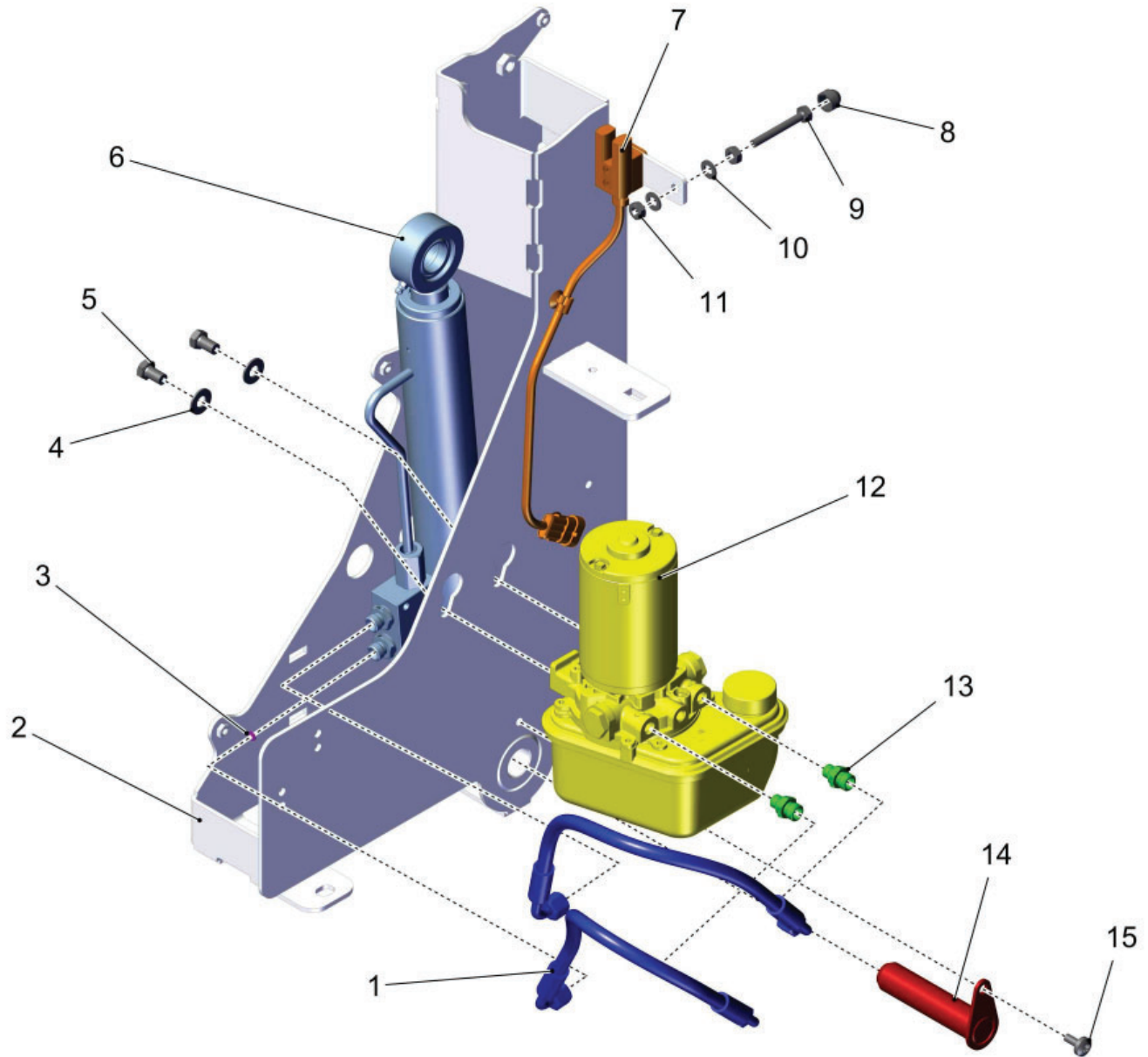
PARTS LIST - PRE-SWEEP UNIT H			
ITEM	PART NO.	QTY	DESCRIPTION
1	01014640	4	HOSE CLAMP
2	01380490	2	SUCTION HOSE
3	12022042	8	HEX NUT
4	00740280	8	WASHER
5	01372060	1	ROPE SHORT
6	00557730	1	SPREADER TUBE
7	12332011	1	WASHER
8	00539730	1	SCREW
9	00874470	4	BUFFER
10	01382370	2	MOUNTING CLIP FOR SUPERSEAL
11	01382060	1	COVERING
12	01079810	1	REVERSION CONTACTOR
13	01112160	2	SCREW
14	01272710	2	LENS HEAD SCREW
15	01370250	3	RETAINER
16	01370240	3	MOUNTING FEET
17	01493500	1	RETAINER

Pre-Sweep Unit H



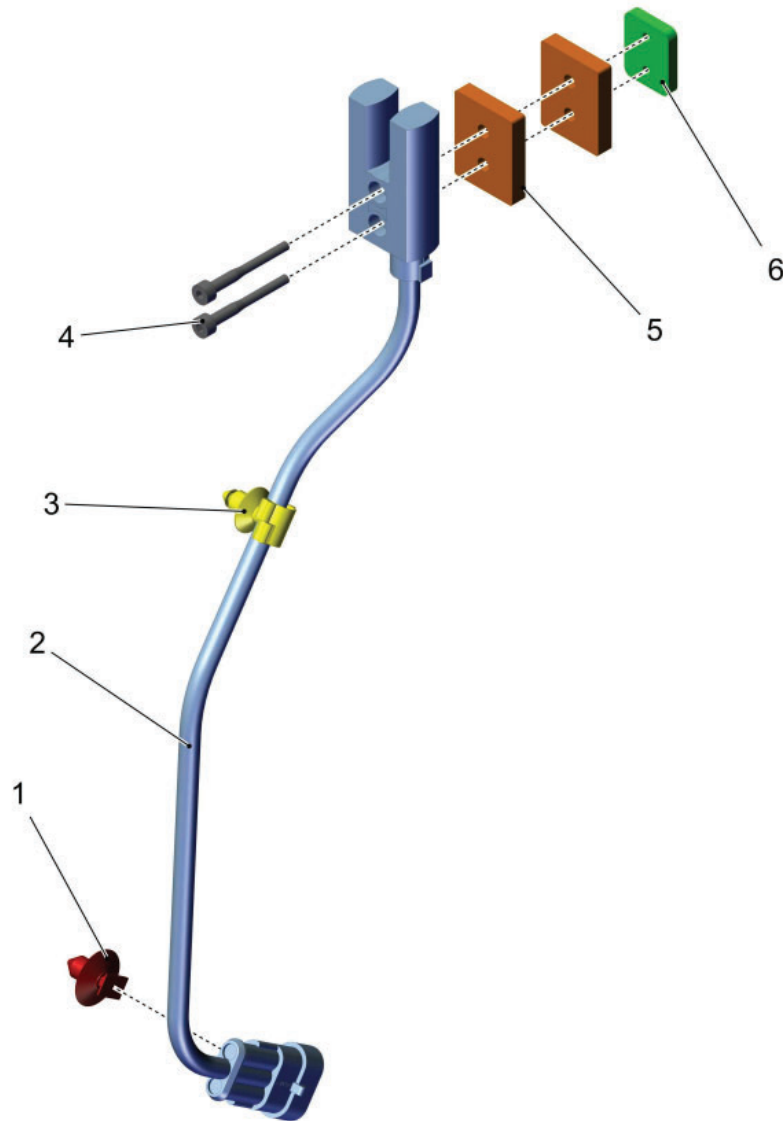
PARTS LIST - PRE-SWEEP UNIT H			
ITEM	PART NO.	QTY	DESCRIPTION
1	***	1	PILLAR R.H.
2	00854210	3	WASHER
3	11177060	3	SC-BHCS W/ FLANGE M6 X 1.
4	***	1	SPARE PART ON REQUEST
5	00740290	2	DETENT WASHER
6	00108590	2	SOCKET HEAD SCREW
7	12022059	1	HEX NUT
8	00740090	1	DETENT WASHER
9	01272710	1	LENS HEAD SCREW
10	00878410	1	ROUND HEAD SCREW
11	00101160	4	HEXAGON SCREW
12	00875950	4	WASHER

Pillar R.H.



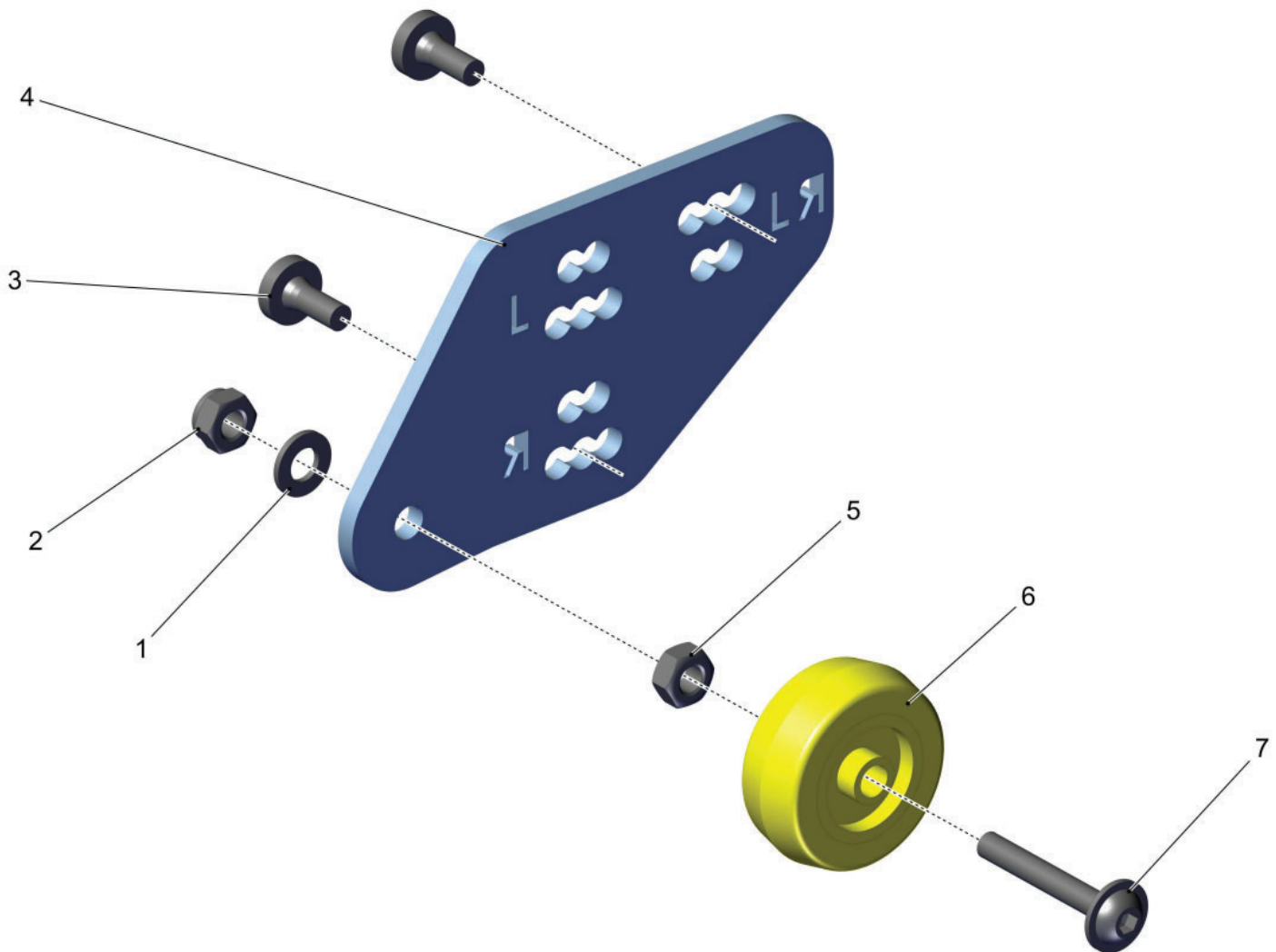
PARTS LIST - PILLAR R.H.			
ITEM	PART NO.	QTY	DESCRIPTION
1	01473030	2	HOSE
2	***	1	SPARE PART ON REQUEST
3	00538160	1	WASHER
4	00740290	2	DETENT WASHER
5	01134400	2	HEXAGON SCREW
6	01382200	1	HYDRAULIC CYLINDER
7	***	1	PILLAR R.H.
8	15592033	1	LENS
9	00053130	1	HEXAGON SCREW
10	12310041	2	WASHER
11	12022059	2	HEX NUT
12	01382300	1	HYDRAULIC UNIT
13	01010620	2	STRAIGHT SCREW CONNECTION
14	***	1	SPARE PART ON REQUEST
15	01272710	1	LENS HEAD SCREW

Pillar R.H.



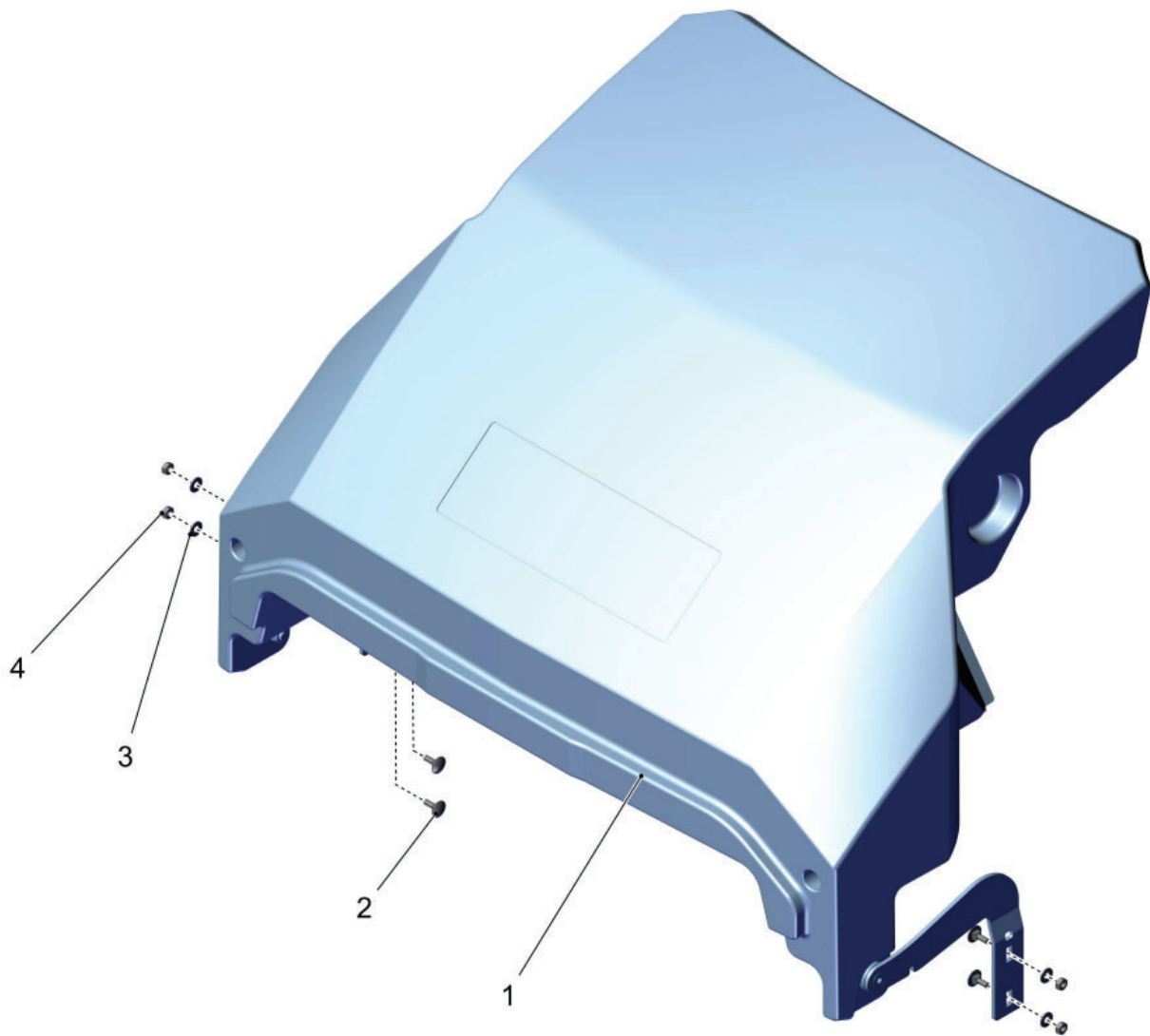
PARTS LIST - PILLAR R.H.			
ITEM	PART NO.	QTY	DESCRIPTION
1	01382370	1	MOUNTING CLIP FOR SUPERSEAL
2	01375440	1	SLOT SWITCH
3	01493500	1	RETAINER
4	***	2	SPARE PART ON REQUEST
5	01380080	2	SPACER
6	***	1	SPARE PART ON REQUEST

Pre-Sweep Unit H



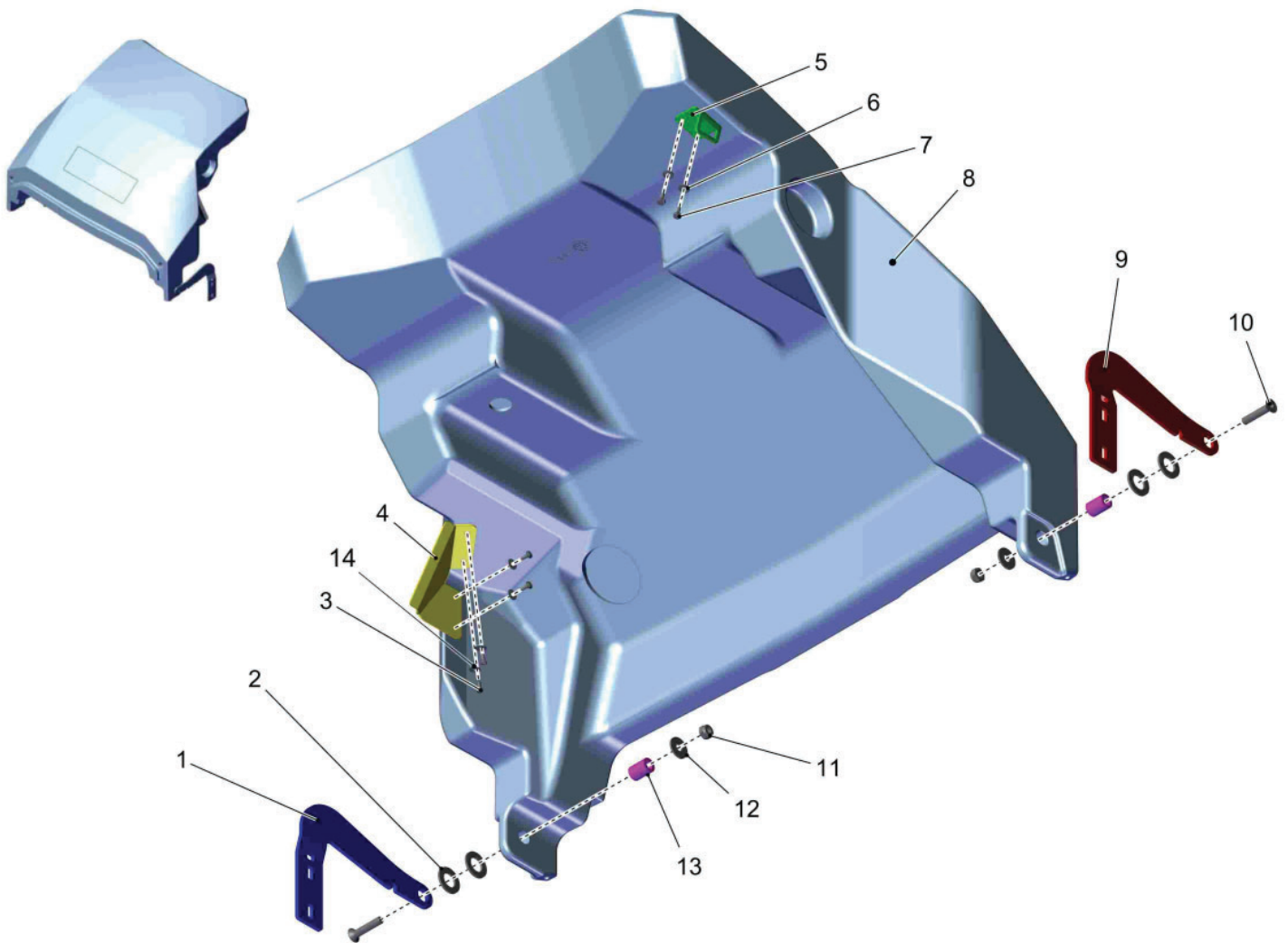
PARTS LIST - PRE-SWEEP UNIT H			
ITEM	PART NO.	QTY	DESCRIPTION
1	12310041	1	WASHER
2	12040051	1	HEX. NUT
3	01272710	2	LENS HEAD SCREW
4	***	1	SPARE PART ON REQUEST
5	12022059	1	HEX NUT
6	01371530	1	STEERING ROLLER
7	01271570	1	LENS FLANGE SCREW

Pre-Sweep Unit H



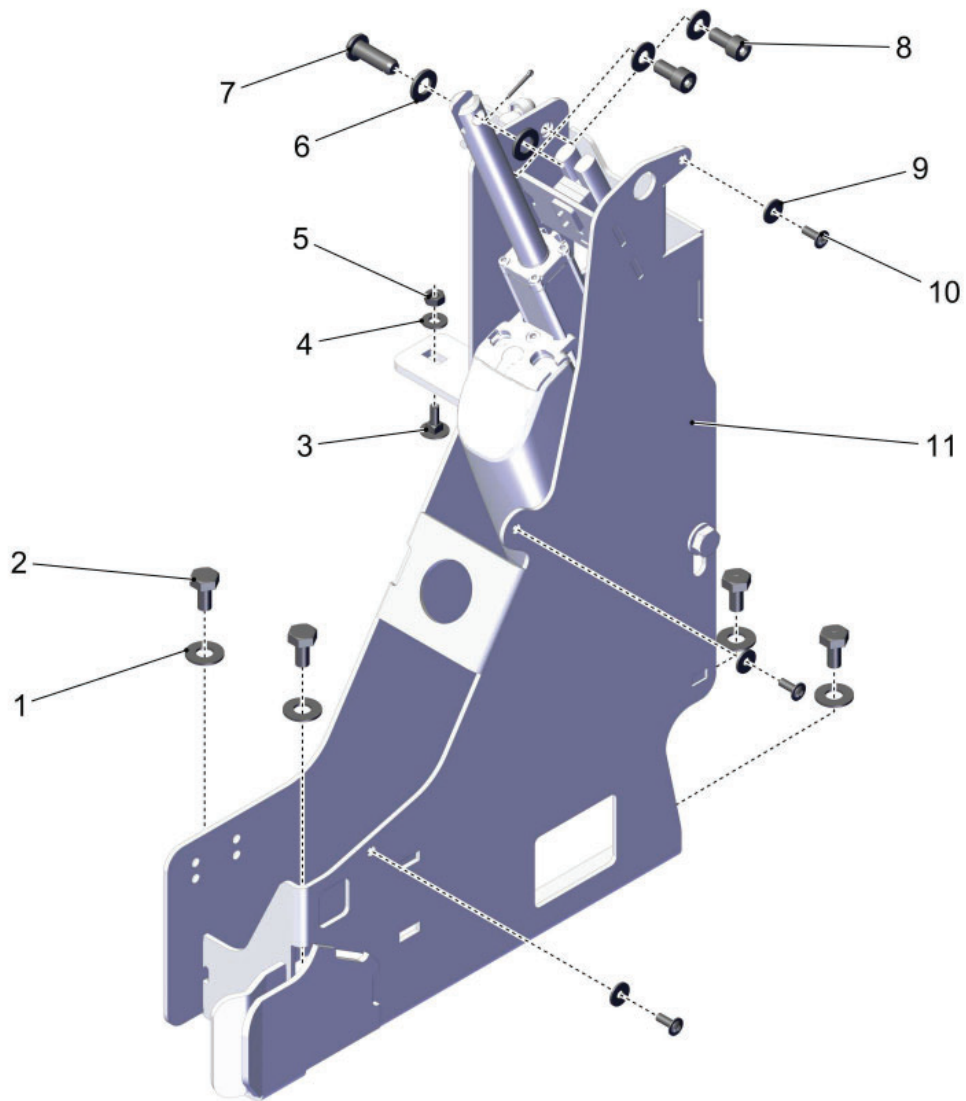
PARTS LIST - PRE-SWEEP UNIT H			
ITEM	PART NO.	QTY	DESCRIPTION
1	***	1	HOOD H
2	00878410	4	ROUND HEAD SCREW
3	00740090	4	DETENT WASHER
4	12022059	4	HEX NUT

Hood H



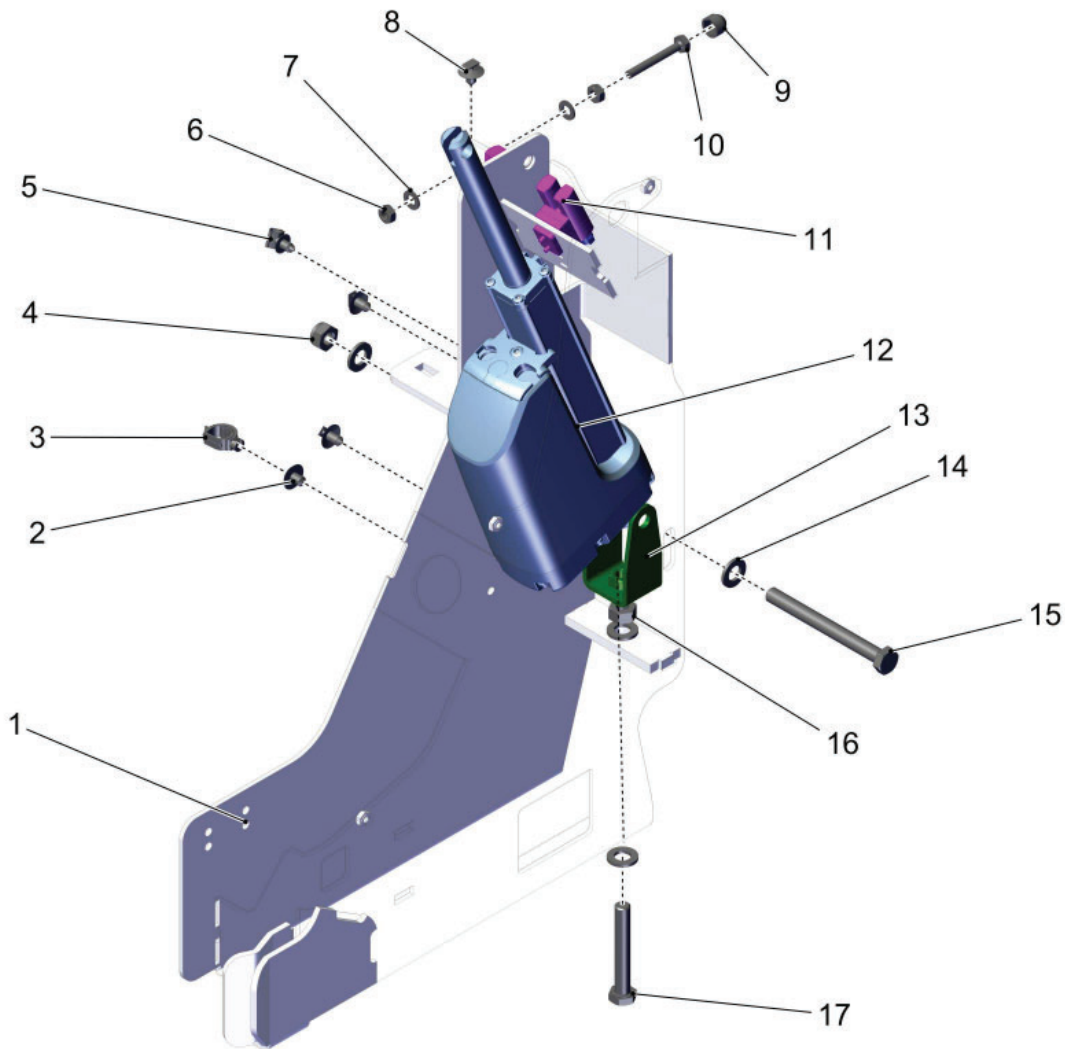
PARTS LIST - HOOD H			
ITEM	PART NO.	QTY	DESCRIPTION
1	***	1	SPARE PART ON REQUEST
2	00053810	4	WASHER
3	00905520	4	ROUND HEAD SCREW
4	01383080	1	SPLASH GUARD
5	***	1	SPARE PART ON REQUEST
6	00730940	2	DETENT WASHER
7	11038064	2	HEX. BOLT
8	***	1	SPARE PART ON REQUEST
9	***	1	SPARE PART ON REQUEST
10	01174660	2	COUNTERSUNK SCREW
11	12040069	2	HEX. NUT
12	12332037	2	WASHER
13	***	2	SPARE PART ON REQUEST
14	12332052	4	WASHER

Pre-Sweep Unit H



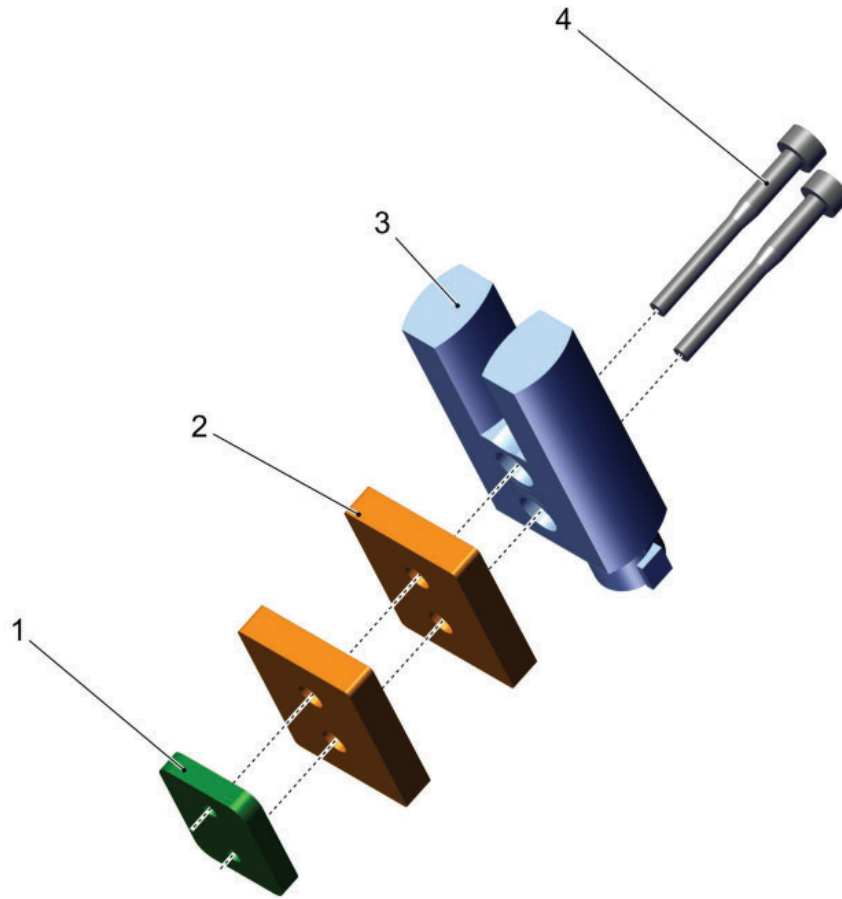
PARTS LIST - PRE-SWEEP UNIT H			
ITEM	PART NO.	QTY	DESCRIPTION
1	00875950	4	WASHER
2	00101160	4	HEXAGON SCREW
3	00878410	1	ROUND HEAD SCREW
4	00740090	1	DETENT WASHER
5	12022059	1	HEX NUT
6	12310066	2	WASHER
7	***	1	SPARE PART ON REQUEST
8	00108590	2	SOCKET HEAD SCREW
9	00854210	3	WASHER
10	11177060	3	SC-BHCS W/ FLANGE M6 X 1.
11	***	1	PILLAR L.H.

Pillar L.H.



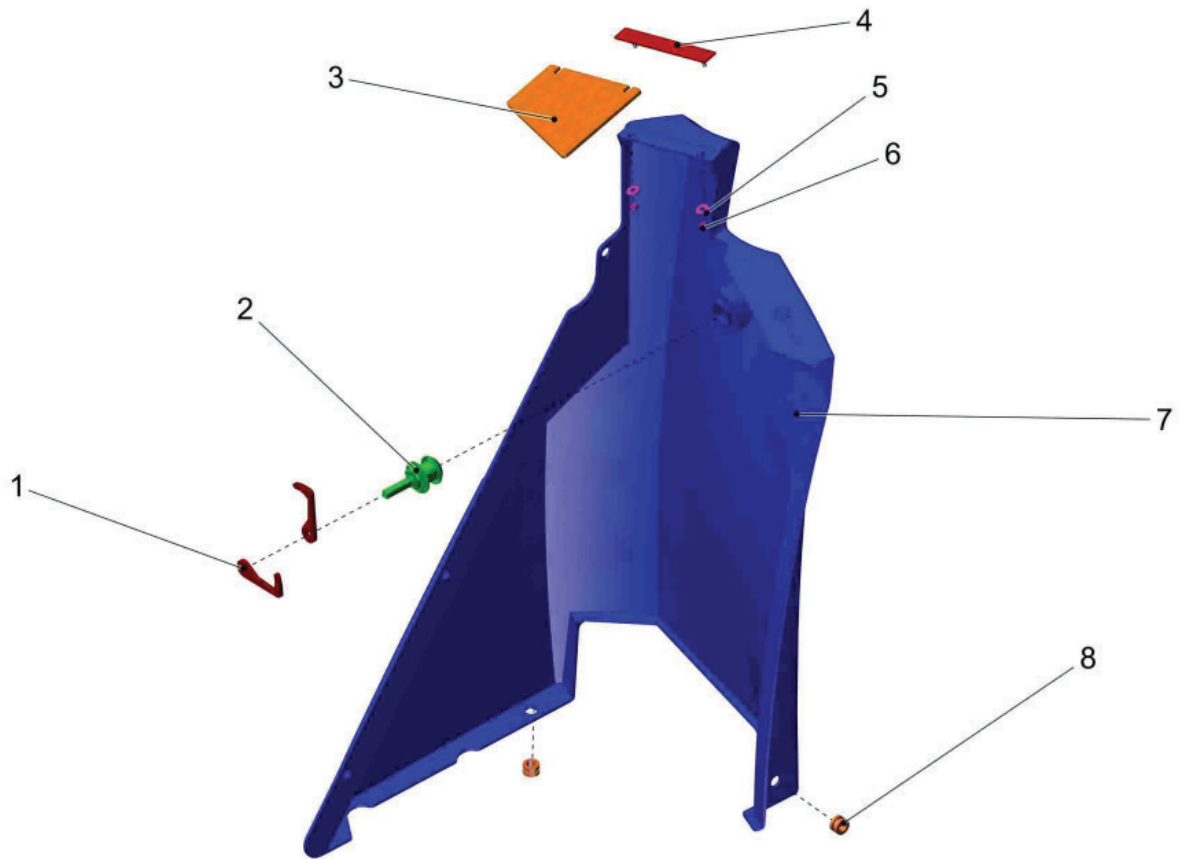
PARTS LIST - PILLAR L.H.			
ITEM	PART NO.	QTY	DESCRIPTION
1	***	1	SPARE PART ON REQUEST
2	01370240	1	MOUNTING FEET
3	01370250	1	RETAINER
4	12040077	1	HEX. NUT
5	01493500	1	RETAINER
6	12022059	2	HEX NUT
7	12310041	2	WASHER
8	01382370	3	MOUNTING CLIP FOR SUPERSEAL
9	15592033	1	LENS
10	00053130	1	HEXAGON SCREW
11	***	1	PILLAR L.H.
12	01380580	1	LIFTING ELEMENT
13	***	1	SPARE PART ON REQUEST
14	12310066	4	WASHER
15	00025300	1	HEXAGON SCREW
16	00053370	1	HEX NUT
17	00923180	1	HEXAGON SCREW

Pillar L.H.



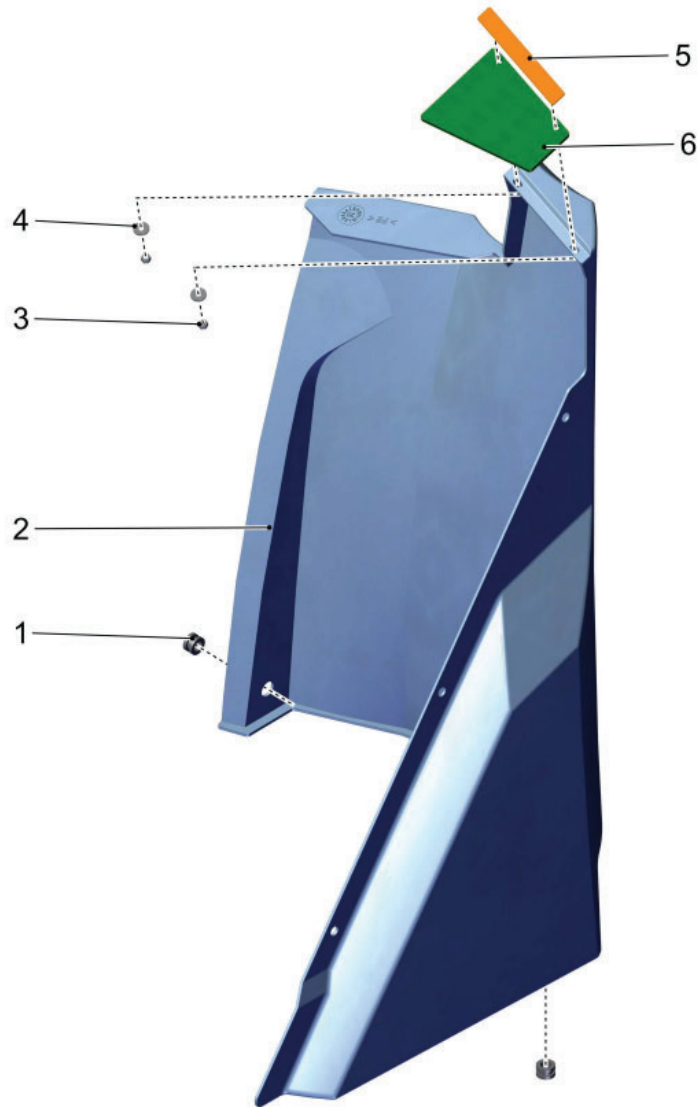
PARTS LIST - PILLAR L.H.			
ITEM	PART NO.	QTY	DESCRIPTION
1	***	1	SPARE PART ON REQUEST
2	01380080	2	SPACER
3	01375440	1	SLOT SWITCH
4	***	2	SPARE PART ON REQUEST

Side Covering R.H. (92080530)



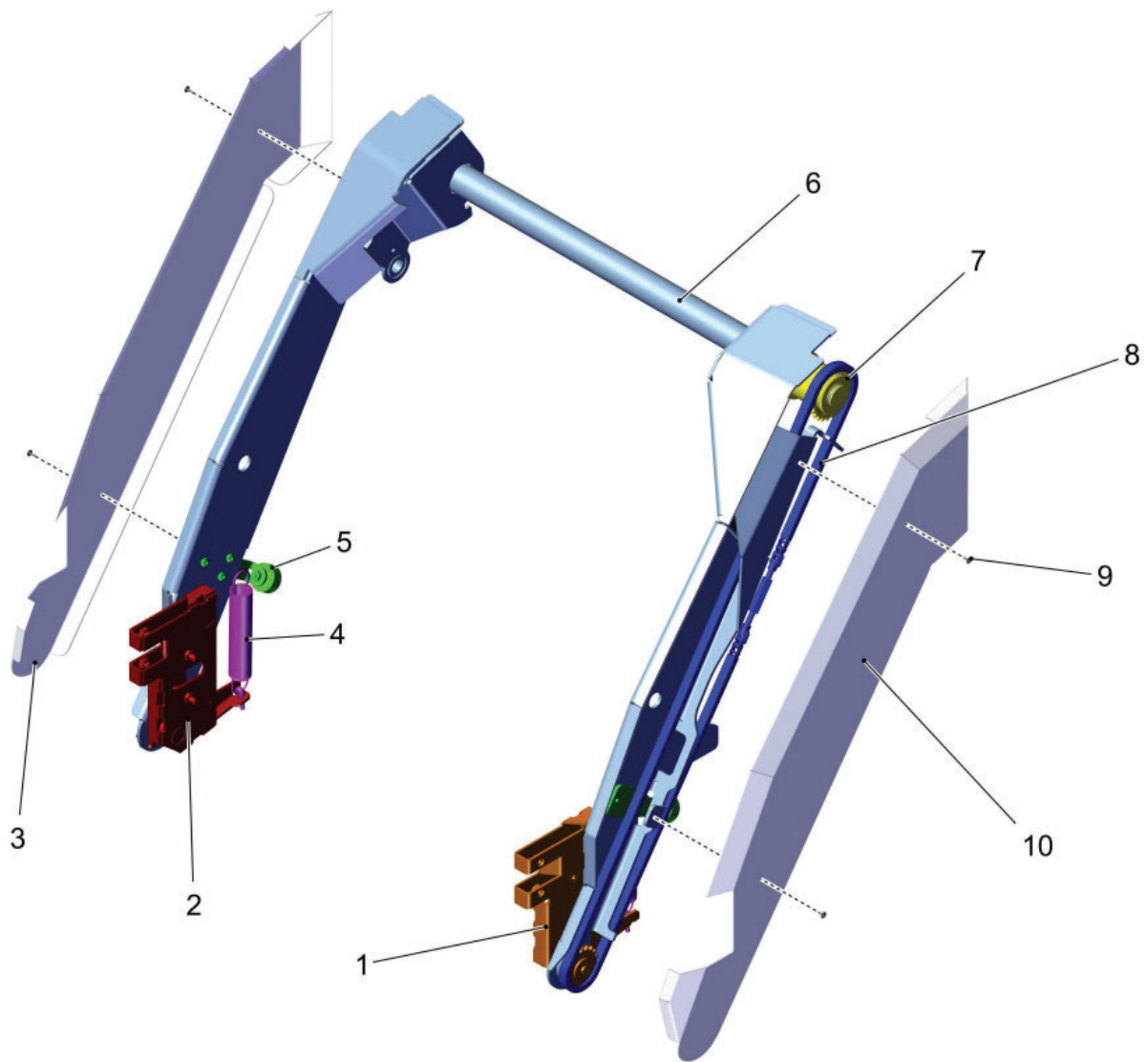
PARTS LIST - SIDE COVERING R.H. (92080530)			
ITEM	PART NO.	QTY	DESCRIPTION
1	***	1	SPARE PART ON REQUEST
2	01380030	1	LATCH LOCK
3	***	1	SPARE PART ON REQUEST
4	***	1	SPARE PART ON REQUEST
5	12332052	2	WASHER
6	00053320	2	HEX NUT
7	***	1	SPARE PART ON REQUEST
8	00555430	2	CABLE SLEEVE

Side Covering L.H.



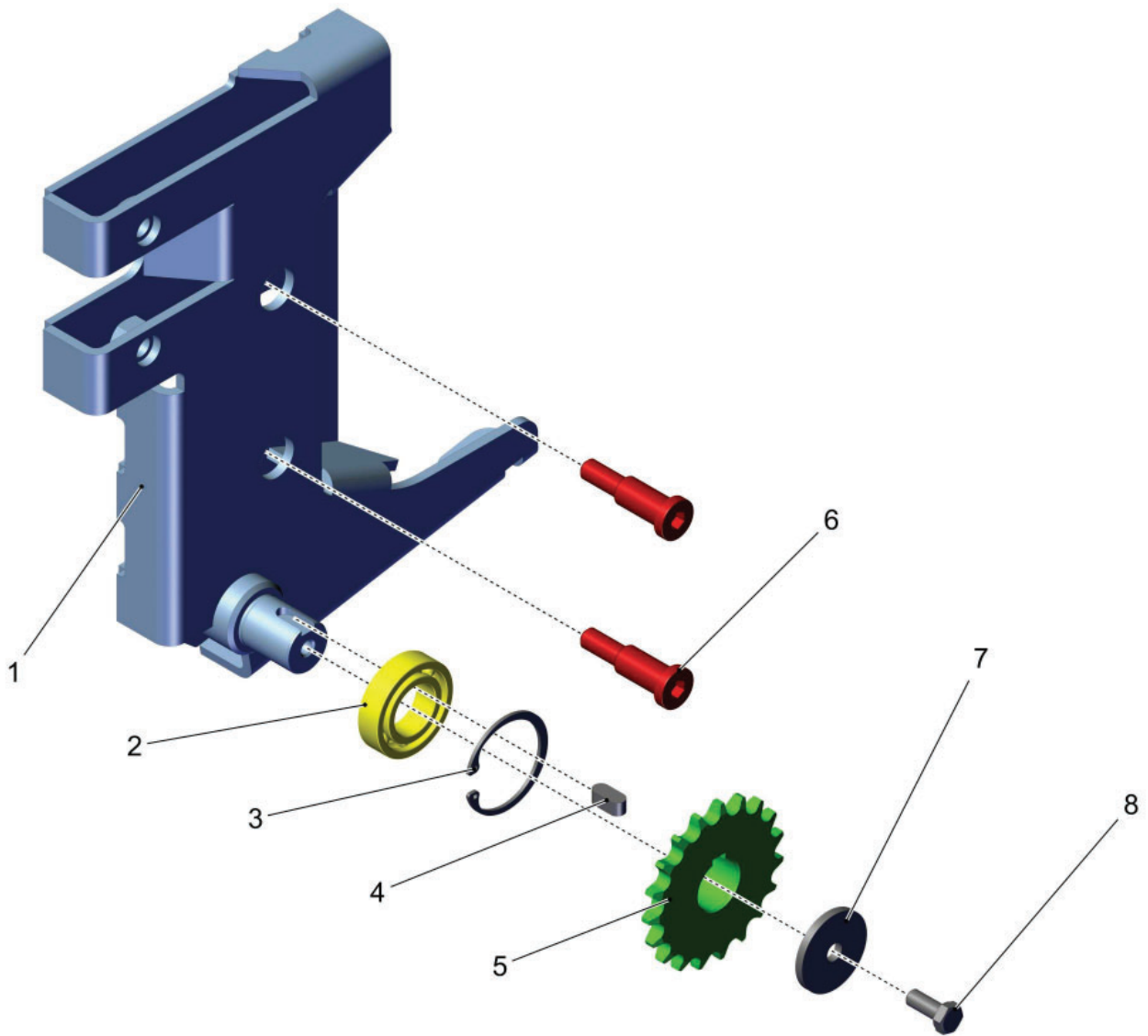
PARTS LIST - SIDE COVERING L.H.			
ITEM	PART NO.	QTY	DESCRIPTION
1	00555430	2	CABLE SLEEVE
2	***	1	SPARE PART ON REQUEST
3	00053320	2	HEX NUT
4	12332052	2	WASHER
5	***	1	SPARE PART ON REQUEST
6	***	1	SPARE PART ON REQUEST

Pre-Sweep Unit H



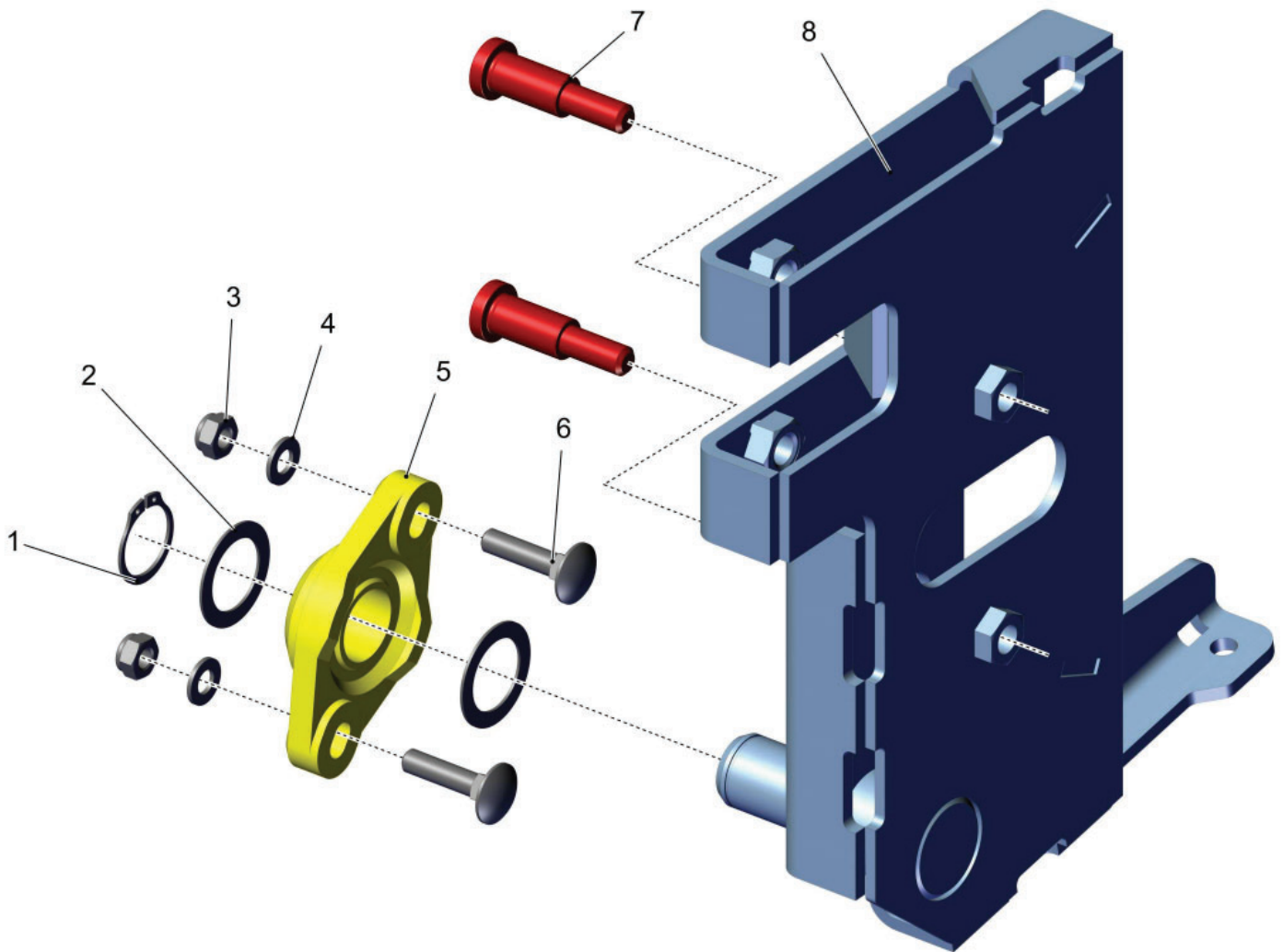
PARTS LIST - PRE-SWEEP UNIT H			
ITEM	PART NO.	QTY	DESCRIPTION
1	***	1	PRE-SWEEP UNIT H
2	***	1	PRE-SWEEP UNIT H
3	***	1	SPARE PART ON REQUEST
4	***	1	PRE-SWEEP UNIT H
5	***	1	PRE-SWEEP UNIT H
6	***	1	SPARE PART ON REQUEST
7	***	1	PRE-SWEEP UNIT H
8	***	1	CHAIN
9	01168030	4	LENS FLANGE SCREW
10	***	1	SPARE PART ON REQUEST

Pre-Sweep Unit H



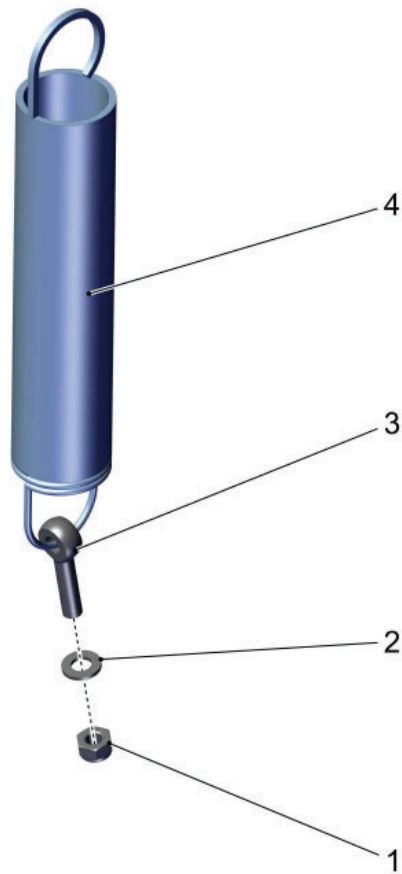
PARTS LIST - PRE-SWEEP UNIT H			
ITEM	PART NO.	QTY	DESCRIPTION
1	***	1	SPARE PART ON REQUEST
2	00281050	1	BALL BEARING
3	00054230	1	RETAINING RING
4	01003600	1	FEATHER KEY
5	***	1	SPARE PART ON REQUEST
6	01374100	2	FITTING SCREW
7	01062750	1	WASHER
8	00704610	1	HEX BOLT

Pre-Sweep Unit H



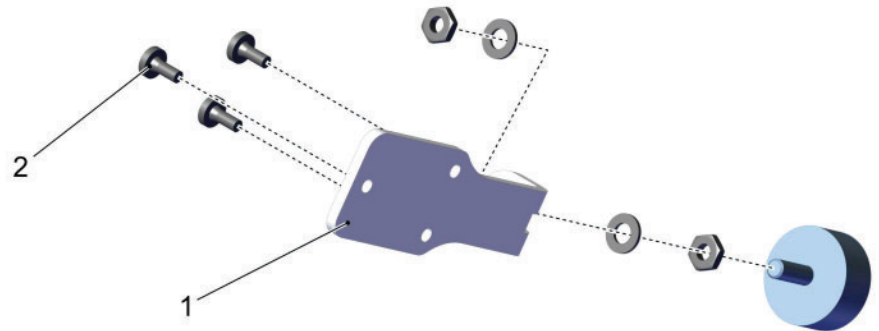
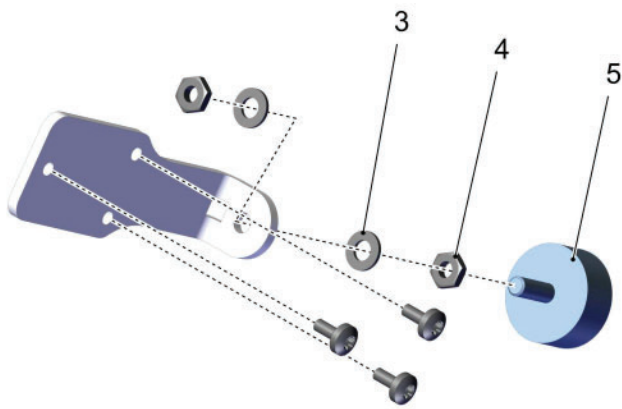
PARTS LIST -			
ITEM	PART NO.	QTY	DESCRIPTION
1	00022460	1	RETAINING RING
2	***	2	SPARE PART ON REQUEST
3	12040051	2	HEX. NUT
4	12310041	2	WASHER
5	***	1	SPARE PART ON REQUEST
6	00078920	2	ROUND HEAD SCREW
7	01374100	2	FITTING SCREW
8	***	1	SPARE PART ON REQUEST

Pre-Sweep Unit H



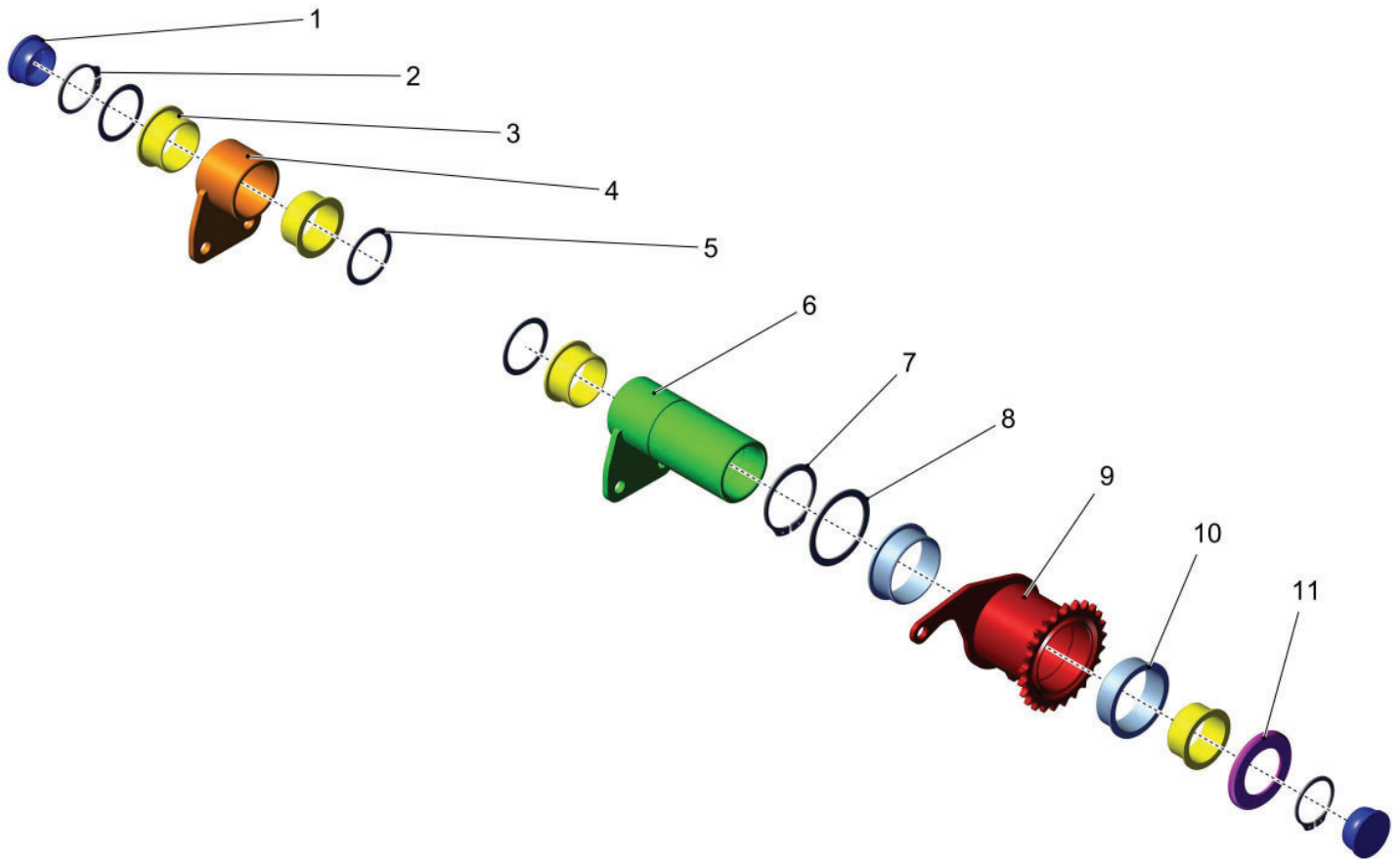
PARTS LIST - PRE-SWEEP UNIT H			
ITEM	PART NO.	QTY	DESCRIPTION
1	12040051	2	HEX. NUT
2	12310041	2	WASHER
3	11518180	2	EYE BOLT
4	01375680	2	TENSION SPRING

Pre-Sweep Unit H



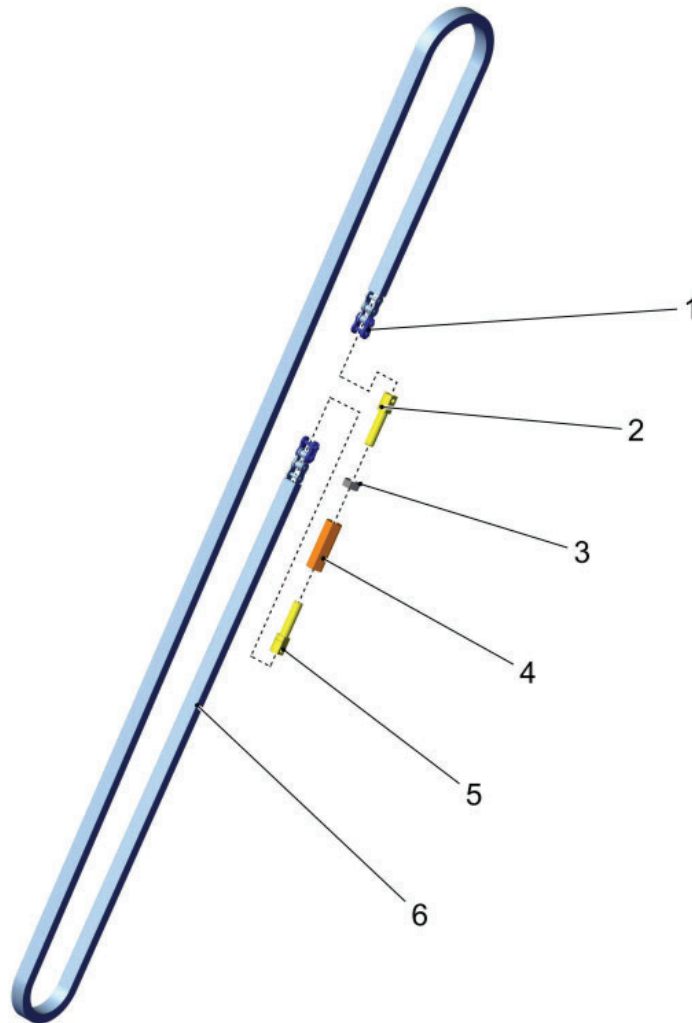
PARTS LIST - PRE-SWEEP UNIT H			
ITEM	PART NO.	QTY	DESCRIPTION
1	***	2	SPARE PART ON REQUEST
2	01272710	6	LENS HEAD SCREW
3	12310058	4	WASHER
4	00074710	4	HEX NUT
5	01061420	2	BUFFER

Pre-Sweep Unit H



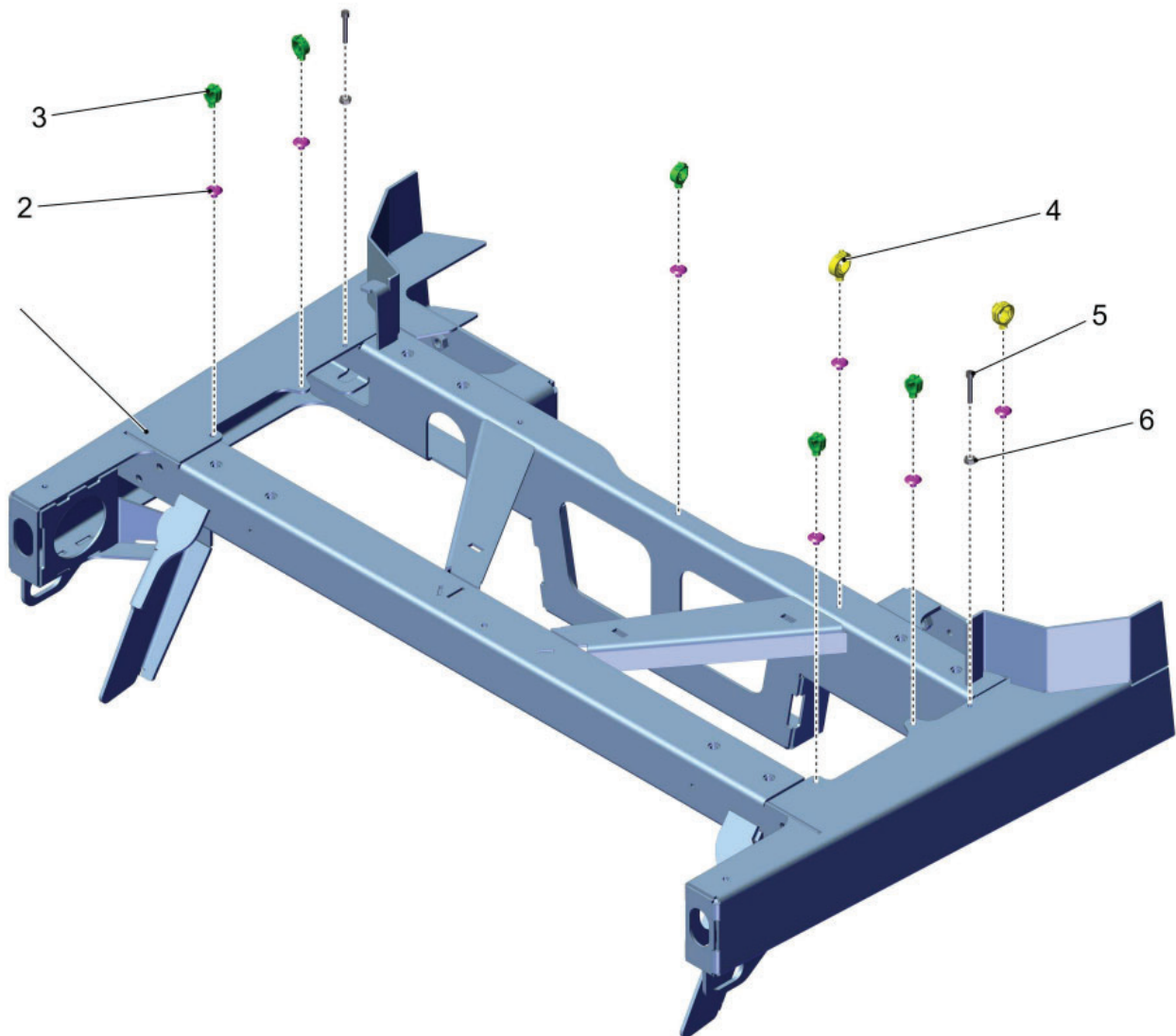
PARTS LIST - PRE-SWEEP UNIT H			
ITEM	PART NO.	QTY	DESCRIPTION
1	00558380	2	SEALING PLUG
2	00137910	2	RETAINING RING
3	***	4	SPARE PART ON REQUEST
4	***	1	SPARE PART ON REQUEST
5	00105330	3	ADJUSTING WASHER
6	***	1	SPARE PART ON REQUEST
7	00054760	1	RETAINING RING
8	***	1	SPARE PART ON REQUEST
9	***	1	SPARE PART ON REQUEST
10	***	2	SPARE PART ON REQUEST
11	***	1	SPARE PART ON REQUEST

Chain



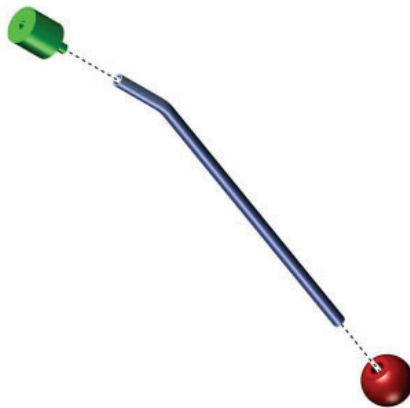
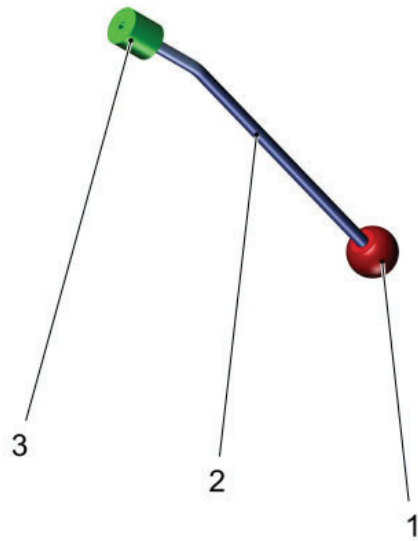
PARTS LIST - CHAIN			
ITEM	PART NO.	QTY	DESCRIPTION
1	00535820	2	LINK
2	***	1	SPARE PART ON REQUEST
3	12022067	1	HEX. NUT
4	***	1	SPARE PART ON REQUEST
5	***	1	SPARE PART ON REQUEST
6	***	1	SPARE PART ON REQUEST

Pre-Sweep Unit H



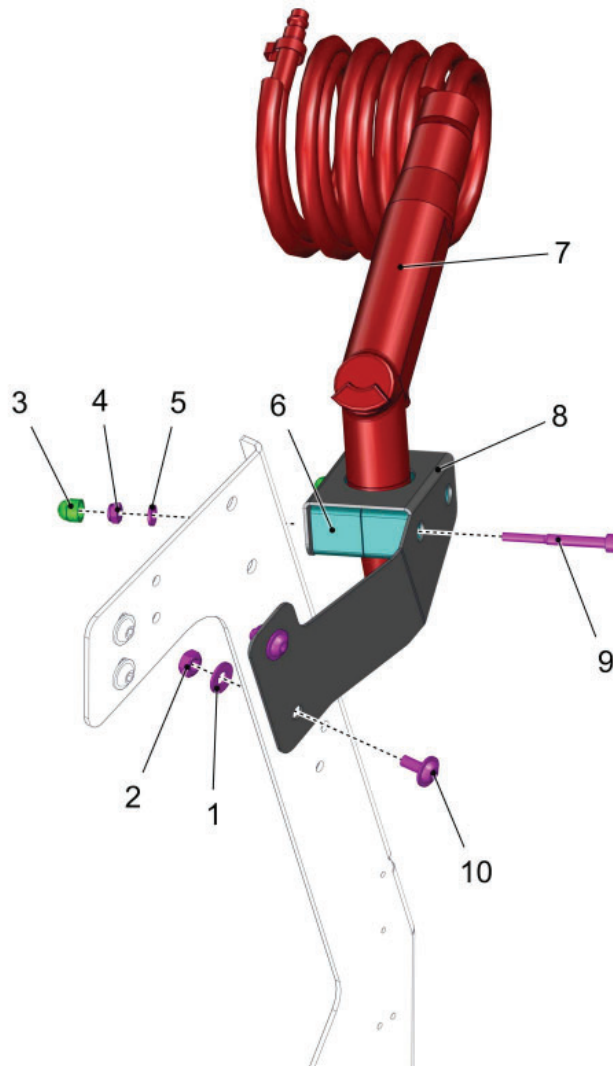
PARTS LIST - PRE-SWEEP UNIT H			
ITEM	PART NO.	QTY	DESCRIPTION
1	***	1	SPARE PART ON REQUEST
2	01370240	7	MOUNTING FEET
3	01370250	5	RETAINER
4	01476570	2	RETAINER Ø20
5	***	2	SPARE PART ON REQUEST
6	12022059	2	HEX NUT

Measuring Rod 1230



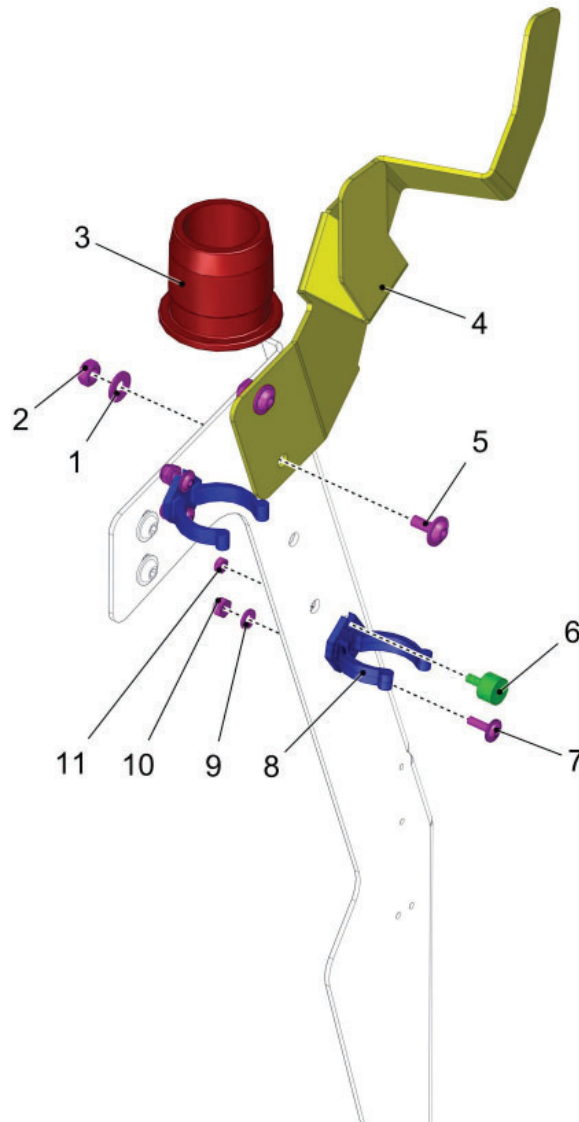
PARTS LIST - MEASURING ROD 1230			
ITEM	PART NO.	QTY	DESCRIPTION
1	00741150	2	BALL BUTTON
2	01383050	2	DIPSTICK
3	00746590	2	RUBBER BUFFER

Spray Nozzle



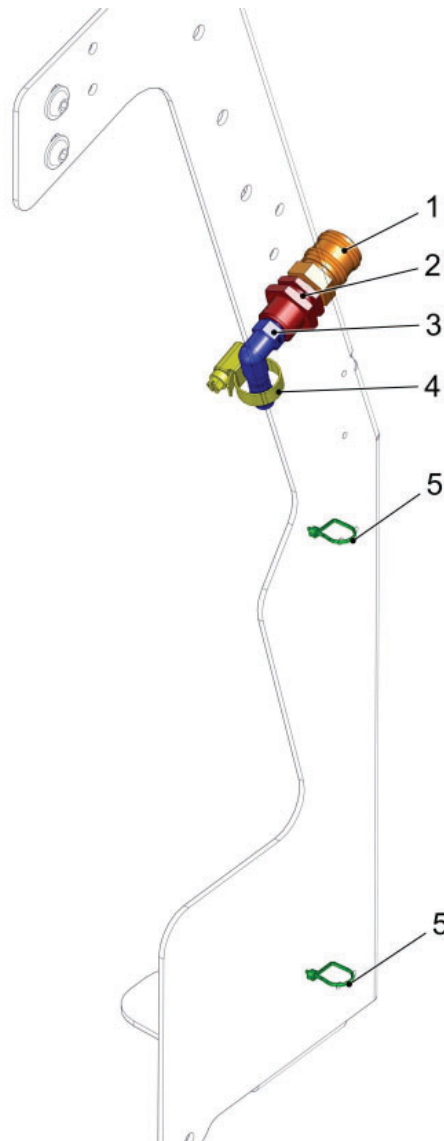
PARTS LIST - SPRAY NOZZLE			
ITEM	PART NO.	QTY	DESCRIPTION
1	01278230	2	DETENT EDGED WASHER
2	00717029	2	HEXAGON NUT
3	00525910	2	LENS CAP
4	12040044	2	HEX NUT
5	12310033	2	WASHER
6	01477410	2	PAIR OF CLAMPING
7	01372240	1	SPRAY PISTOL WITH HOSE
8	***	1	SPARE PART ON REQUEST
9	01271540	2	SOCKET HEAD SCREW
10	11177187	2	LENS FLANGE SCREW

Holder for Spray Suction Tool



PARTS LIST - HOLDER FOR SPRAY SUCTION TOOL			
ITEM	PART NO.	QTY	DESCRIPTION
1	01278230	2	DETENT EDGED WASHER
2	00717029	2	HEXAGON NUT
3	01372270	1	BUSHING
4	***	1	SPARE PART ON REQUEST
5	11177187	2	LENS FLANGE SCREW
6	00009820001	1	ROUND BUFFER
7	11177060	3	SC-BHCS W/ FLANGE M6 X 1.
8	90503251	2	HOSE SUPPORT
9	12310256	3	WASHER
10	00102140	3	HEXAGON NUT
11	12022430	1	HEX. NUT

Water Connection



PARTS LIST - WATER CONNECTION			
ITEM	PART NO.	QTY	DESCRIPTION
1	00552590	1	QUICK HITCH
2	01016090	1	BULKHEAD UNION
3	01090430	1	SCREWED ANGLE FITTING
4	03302144	1	HOSE CLAMP
5	00828062	2	CABLE TIE

PowerBoss®
The Power of Clean

'The Power of Clean'

**PowerBoss® is a Full Line Manufacturer of Sweepers and Scrubbers,
for Industrial Facilities.**

PowerBoss®, Minuteman International, Inc. 14N845 U.S. Route 20 Pingree Grove, Illinois 60140
Phone: 800-323-9420 www.PowerBoss.com Email: tech@powerboss.com
A Member of the Hako Group

SM48105DSS Rider Scrubber #988789 Rev B 05/23
PowerBoss® Copyright 2021