

Parts Catalog

Apex 47 Series

Model Battery (High-lift-dumping)



Table of Contents

| | |
|-----------------------------------------------------------------------------|----|
| Side brush R.H. (97085690) | 4 |
| Front wheel drive (97077317) | 8 |
| Accelerator B (97077374) | 12 |
| Steering (til 6502.60.5.0133.3) (97077127-1a 6502-60) | 16 |
| Steering (from 6502.60.5.0134.3 until aug.2007) (97077127-1b 6502-60) | 20 |
| Steering (from sept. 2007) (97077127-1c 6502-30) | 22 |
| Manipulation for side brush and sweeping roller (97077127-2) | 26 |
| Electrical equipment (97090666) | 28 |
| Seat - Covering (Part 1) (97086243-1) | 44 |
| Seat - Covering (Part 2) (97086243-2) | 46 |
| Motor - Chassis (97077259) | 50 |
| Electrical equipment EH (until 30. apr. 2008) (97081384 BIS 080430) | 52 |
| Electrical equipment EH (from 1. may 2008) (97081384 AB 080501) | 56 |
| Group of main sweeper roller (97077192-1) | 60 |
| Manipulation for brush apron - Lifter for sweeping (97077192-2) | 64 |
| Broom wear compensation (97079263) | 68 |
| Dust extraction (97085963) | 70 |
| High-lift dumping assy (Part 1) (97077283-1) | 80 |
| High-lift dumping assy (Part 2) (97077283-2) | 84 |
| High-lift dumping assy (Part 3) (97077283-3) | 86 |
| High-lift dumping assy (Part 4) (97077283-4) | 88 |
| Rear wheel (massive) - Brake - Brake pedal (97081491) | 90 |
| Label (97090534) | 94 |

This manual covers all standard Apex 47 models:

Model No.

The machine will provide excellent service. However, the best results will be obtained if:

- The machine is operated with reasonable care.
- The machine is maintained regularly per the maintenance schedule in the instruction manual provided.
- The machine is maintained with PowerBoss OEM supplied or equivalent parts.

All right side and left side references to the machine are determined by facing the direction of forward travel. Parts may be ordered by phone or mail from any PowerBoss parts and service center. Before ordering parts or supplies be sure to have your machine model number and serial number handy.

Fill out the data block below for future reference.

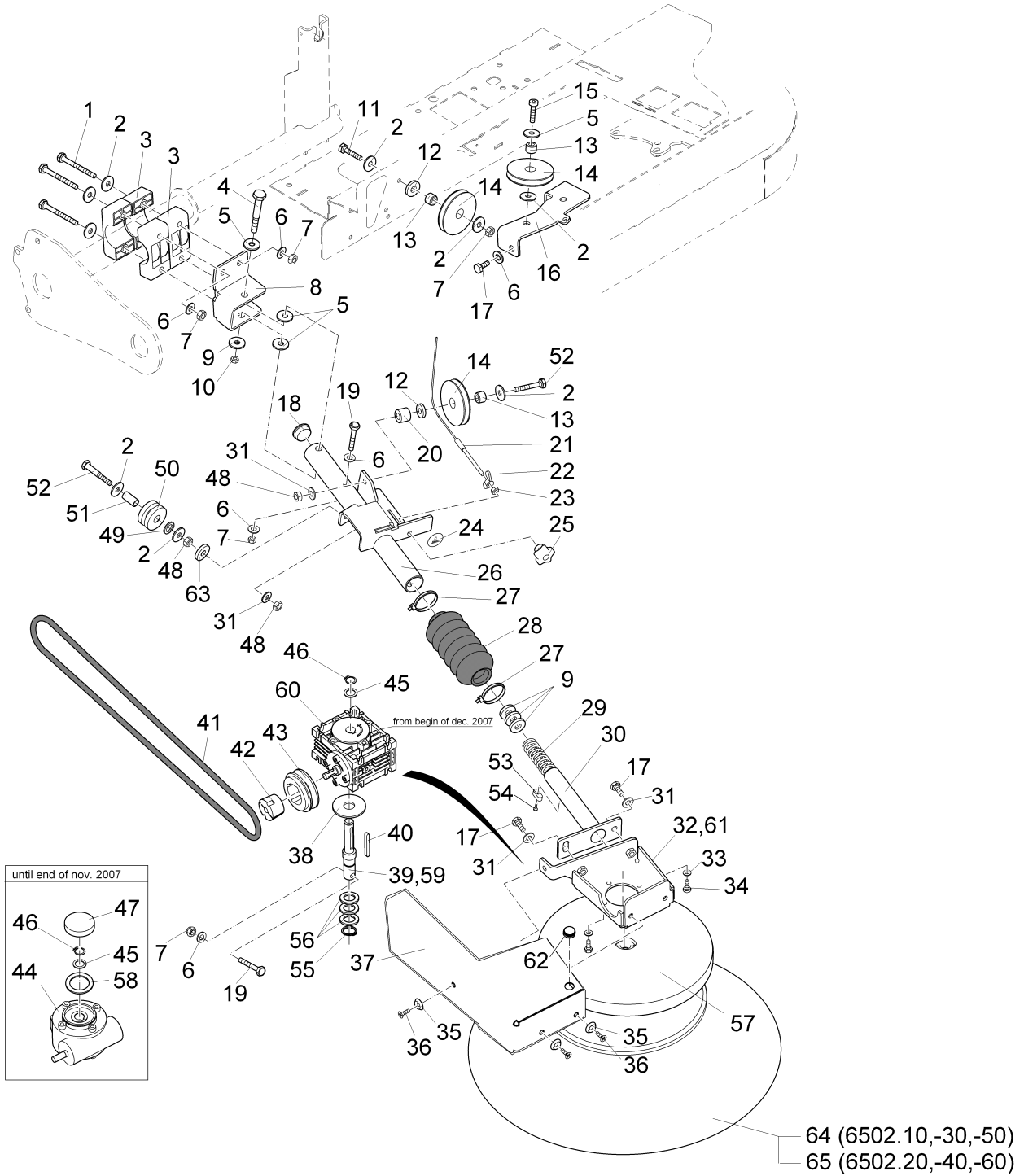
| | |
|------------------------------------------|---------|
| MACHINE DATA Fill Out At Installation | |
| Model: | Apex 47 |
| Serial Number: | _____ |
| Sales Rep or Dealer | _____ |
| Date of Install: | _____ |
| Manual p/n: | AP47BH |

All information contained in this manual is current at the time of printing However, PowerBoss Reserves the right to make changes at any time without notice.

© 2011, Powerboss, Inc., Printed in USA

All rights reserved. This manual may not be copied or reproduced in any form, without the written permission of PowerBoss, Inc.

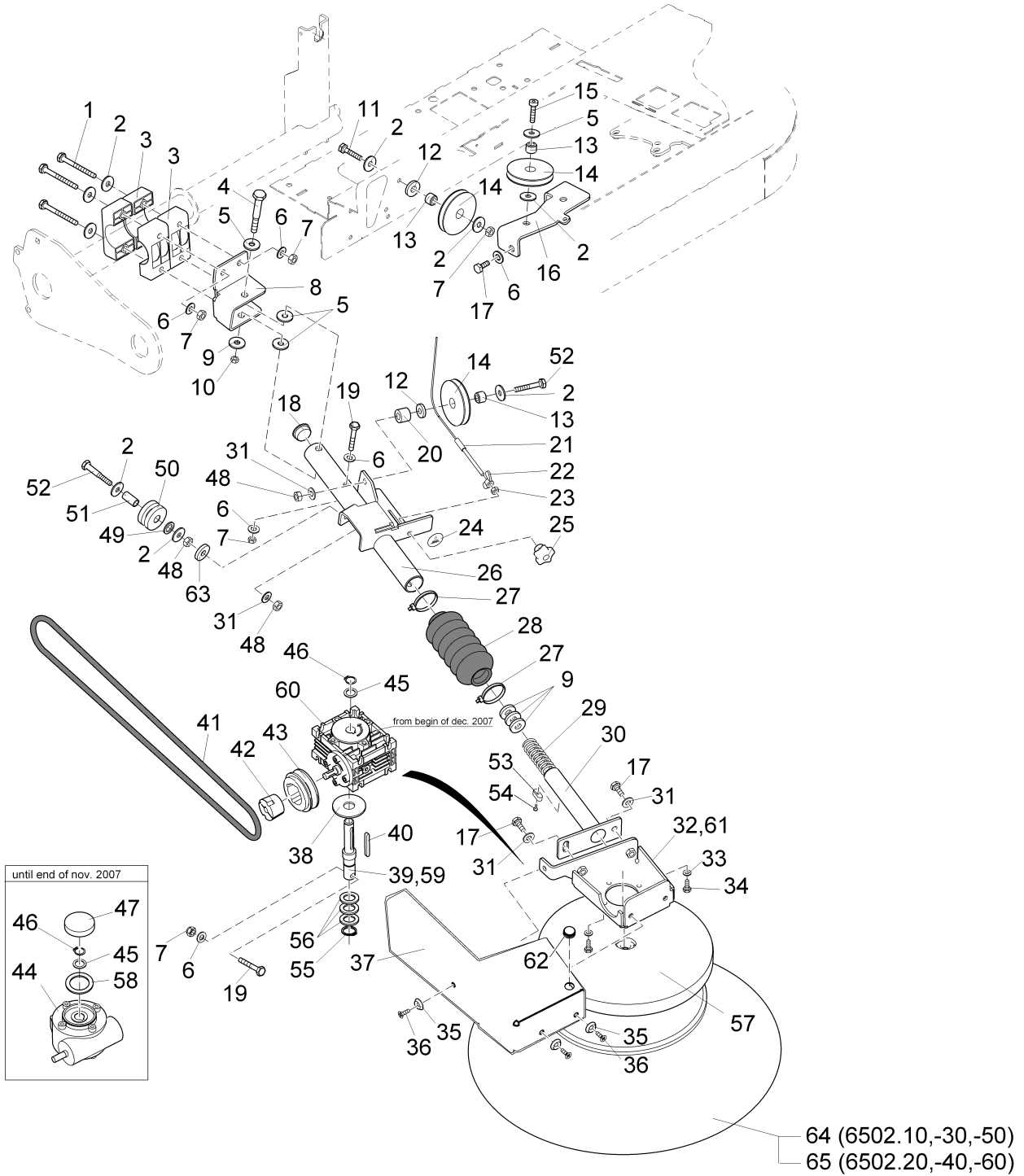
Side brush R.H. (97085690)



Side brush R.H. (97085690)

| Item | Part number | Description | Qty. | Remarks |
|------|-------------|-----------------------------|------|------------------------|
| 1 | 00557600 | Hex.bolt | 4 | |
| 2 | 00042900 | Washer | 11 | |
| 3 | 01130610 | Bearing | 4 | |
| 4 | 00041810 | Hex.bolt | 1 | |
| 5 | 00046520 | Washer | 3 | |
| 6 | 00053750 | Washer | 9 | |
| 7 | 00051510 | Hexagon nut | 7 | |
| 8 | 01130620 | Retainer R.H. | 1 | |
| 9 | 00855380 | Washer | 4 | |
| 10 | 00132880 | Hexagon nut | 1 | |
| 11 | 00054690 | Hexagon screw | 1 | |
| 12 | 00695300 | Washer | 2 | |
| 13 | 00974400 | Bushing | 3 | |
| 14 | 00521270 | Roller | 3 | |
| 15 | 00537390 | Cylinder head screw | 1 | |
| 16 | 01130630 | Holder | 1 | |
| 17 | 00553690 | Hex.bolt | 2 | |
| 18 | 00152850 | Drain plug | 1 | |
| 19 | 00041600 | Hex.bolt | 2 | |
| 20 | 00029170 | Bushing | 1 | |
| 21 | 01130640 | Rope | 1 | |
| 22 | 00054020 | Wing nut | 1 | |
| 23 | 00053330 | Hexagon nut | 1 | |
| 24 | 01130650 | Decal SIDE BROOM ADJUSTMENT | 1 | |
| 25 | 00853730 | Star handle | 1 | |
| 26 | 01130660 | Side brush | 1 | |
| 27 | 00967760 | Cable tie | 2 | |
| 28 | 01130670 | Bellows | 1 | |
| 29 | 00701250 | Cyl.compression spring | 1 | |
| 30 | 01130680 | Holder | 1 | |
| 31 | 00740090 | Detent edged washer | 4 | |
| 32 | 01132360 | Gear support R.H. | 1 | until end of nov. 2007 |
| 33 | 00740280 | Washer | 4 | |
| 34 | 00104500 | Hexagon screw | 4 | |
| 35 | 00157690 | Annular plate | 3 | |
| 36 | 00154680 | Countersunk screw | 3 | |

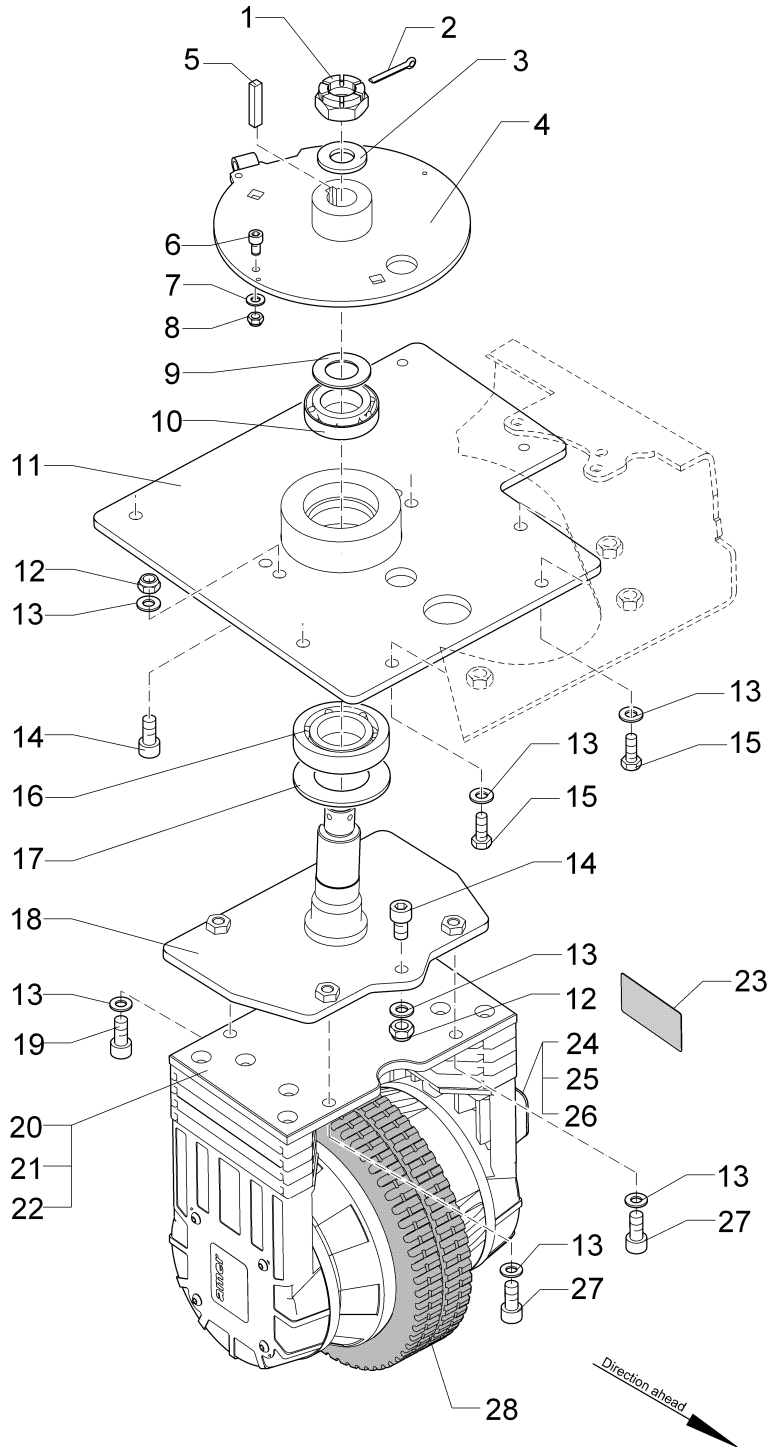
Side brush R.H. (97085690)



Side brush R.H. (97085690)

| Item | Part number | Description | Qty. | Remarks |
|------|-------------|----------------------|------|-------------------------------------------------------------------------------------|
| 37 | 01132370 | covering | 1 | |
| 38 | 00871350 | Washer | 1 | |
| 39 | 01132790 | Drive shaft | 1 | until end of nov. 2007 |
| 40 | 00072940 | Feather key | 1 |  |
| 41 | 01130710 | Narrow drive belt | 1 | |
| 42 | 01130720 | Bush | 1 | |
| 43 | 01130730 | Belt pulley | 1 | |
| 44 | 01130740 | Gear | 1 | until end of nov. 2007 |
| 45 | 00020610 | Supporting ring | 1 | |
| 46 | 00022440 | Retaining ring | 1 | |
| 47 | 01131530 | Cap | 1 | until end of nov. 2007 |
| 48 | 00053350 | Hexagon nut | 3 | |
| 49 | 00156720 | Washer | 1 | |
| 50 | 00740930 | Roller | 1 | |
| 51 | 00855240 | Bushing | 1 | |
| 52 | 00138180 | Hex.bolt | 2 | |
| 53 | 01132380 | fitted key | 1 | |
| 54 | 00695680 | Fillister-head screw | 1 | |
| 55 | 00022230 | Retaining ring | 1 | |
| 56 | 00041590 | Supporting ring | 1 | |
| 57 | 01132800 | Deflector grey | 1 | |
| 58 | 00155120 | Supporting ring | 1 | until end of nov. 2007 |
| 59 | 01135630 | Drive shaft | 1 | from begin of dec. 2007 |
| 60 | 01135550 | Worm gear | 1 | from begin of dec. 2007 |
| 61 | 01135580 | Gear holder R.H. | 1 | from begin of dec. 2007 |
| 62 | 00740360 | Cable sleeve | 1 | |
| 63 | 00047990 | Disk wheel | 1 | |
| 64 | 99651300 | Spare side broom PA | 1 | for 6502.10,-30,-50 |
| 65 | 99651400 | Spare side broom PES | 1 | for 6502.20,-40,-60 |

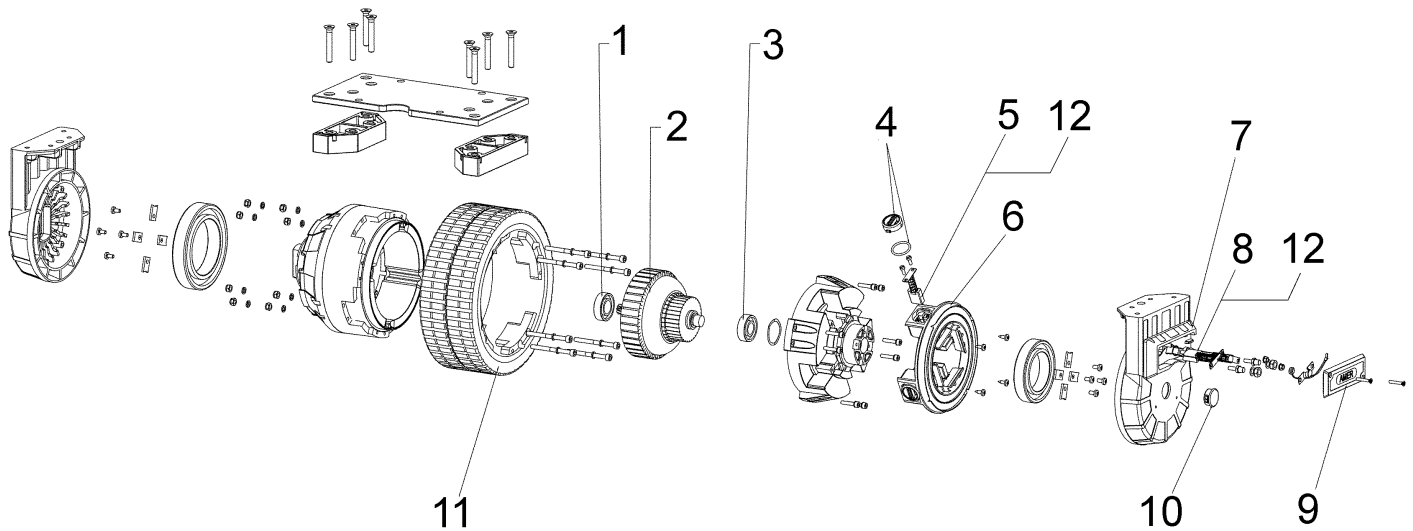
Front wheel drive (97077317)



Front wheel drive (97077317)

| Item | Part number | Description | Qty. | Remarks |
|------|-----------------|---------------------------|-------------|-----------|
| 1 | 00048400 | Slotted nut | 1 | |
| 2 | 00027880 | Cotter pin | 1 | |
| 3 | 00743290 | Washer | 1 | |
| 4 | 01132760 | Guidance disk, cpl. | 1 | |
| 5 | 01132770 | Parallel key | 1 | |
| 6 | 00136910 | Cylinder head screw | 4 | |
| 7 | 00053730 | Washer | 4 | |
| 8 | 00051520 | Hexagon nut | 4 | |
| 9 | 01130030 | Nilos ring | 1 | |
| 10 | 00048410 | Cone roller bearing | 1 | |
| 11 | 03002980 | Front wheel bearing plate | 1 | |
| 12 | 00053360 | Hexagon nut | 3 | |
| 13 | 00870090 | Detent edged washer | 13 | |
| 14 | 00135030 | Socket head screw | 3 | |
| 15 | 00053310 | Hexagon screw | 6 | |
| 16 | 00137930 | Cone roller bearing | 1 | |
| 17 | 00746270 | Ring | 1 | |
| 18 | 03004830 | wheelmount | 1 | |
| 19 | 00504250 | Socket head screw | 2 | |
| 20 | 01132780 | Wheel hub drive | Page | 10 |
| 21 | 03003000 | Transparency | 1 | |
| 22 | 00125430 | Cylinder head screw | 2 | |
| 23 | 01135530 | Temperature switch | 1 | |

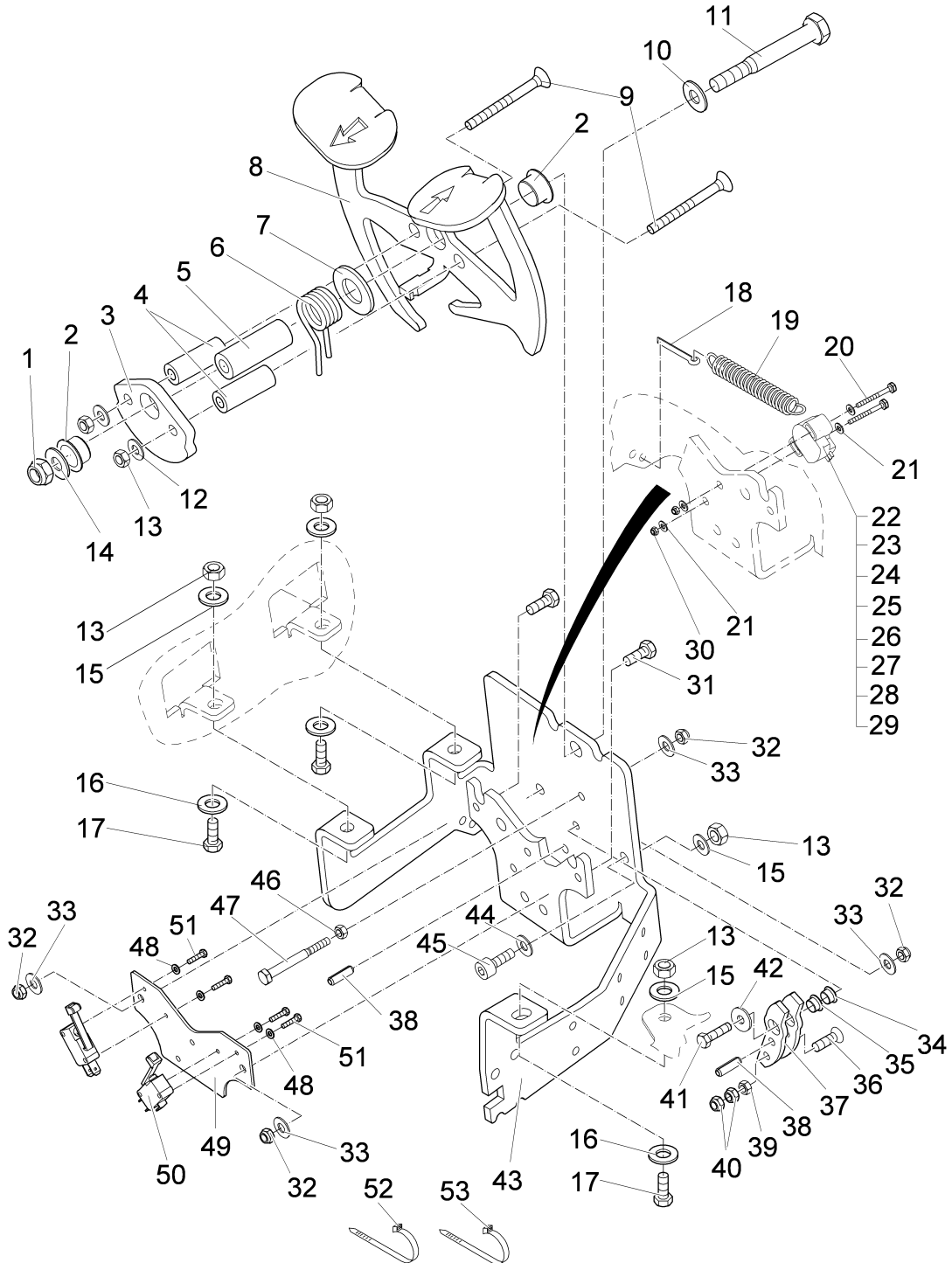
Wheel hub drive (01132780)



Wheel hub drive (01132780)

| Item | Part number | Description | Qty. | Remarks |
|------|-------------|---------------------|------|---------|
| 1 | XXXXXXXXXX | no part-No. til yet | 1 | |
| 2 | XXXXXXXXXX | no part-No. til yet | 1 | |
| 3 | XXXXXXXXXX | no part-No. til yet | 1 | |
| 4 | 01073950 | Plug | 4 | |
| 5 | 01073960 | Carbon brush | 4 | |
| 6 | XXXXXXXXXX | no part-No. til yet | 1 | |
| 7 | XXXXXXXXXX | no part-No. til yet | 1 | |
| 8 | 01133480 | Carbon brushes | 2 | |
| 9 | 01135520 | Cap | 1 | |
| 10 | 01131700 | Drain plug | 1 | |
| 11 | 01074810 | Wheel | 1 | |
| 12 | 01131680 | Carbon brush holder | 6 | |

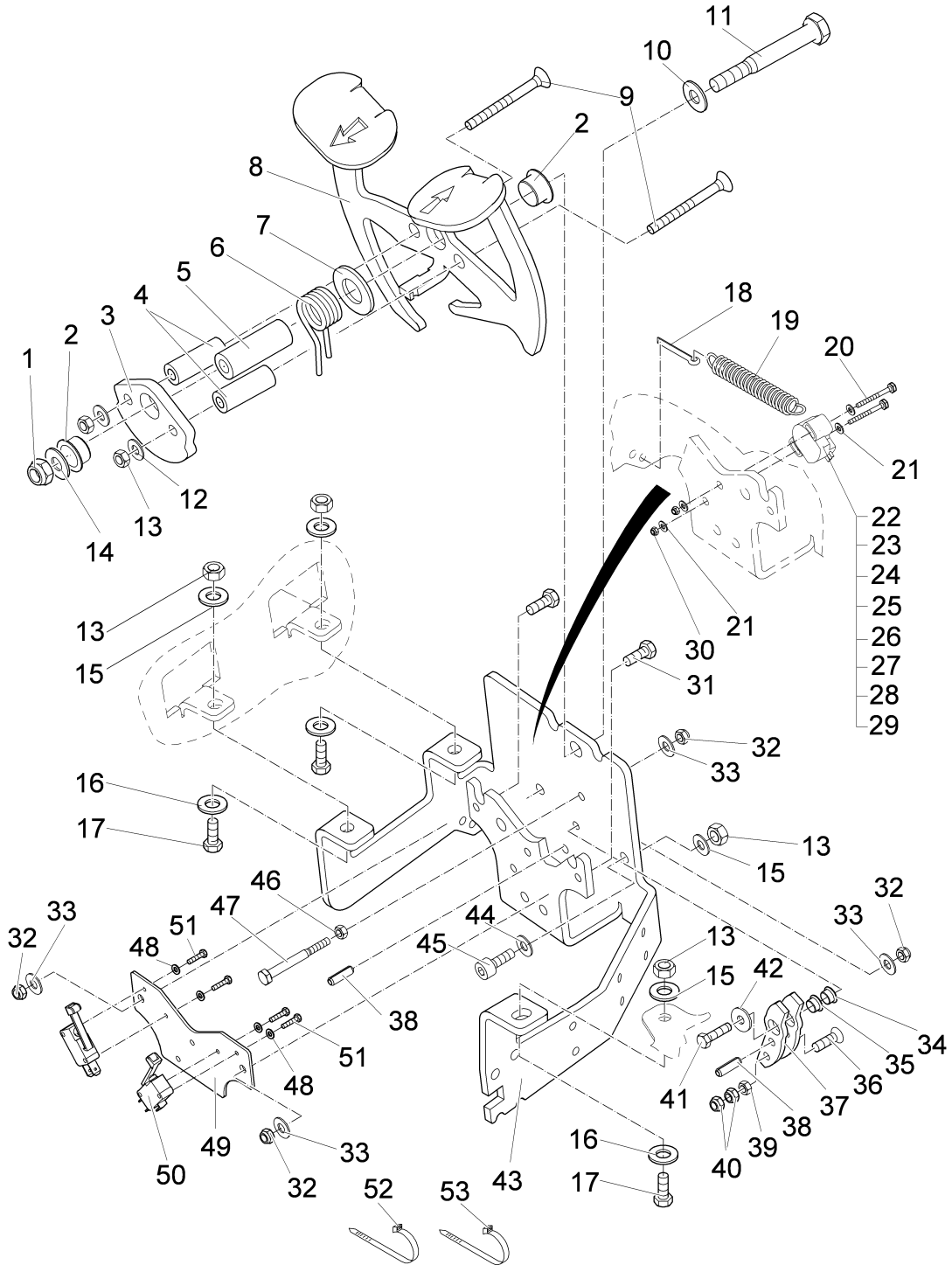
Accelerator B (97077374)



Accelerator B (97077374)

| Item | Part number | Description | Qty. | Remarks |
|------|-------------|------------------------|--------|---------|
| 1 | 00051490 | Hexagon nut | 1 | |
| 2 | 01130490 | Bush | 2 | |
| 3 | 01130500 | Plate | 1 | |
| 4 | 01130510 | Bush | 2 | |
| 5 | 01130520 | Bush | 1 | |
| 6 | 01130530 | Spring | 1 | |
| 7 | 00154550 | Washer | 1 | |
| 8 | 01130540 | Accelerator | 1 | |
| 9 | 01130550 | Countersunk screw | 2 | |
| 10 | 00875950 | Washer | 1 | |
| 11 | 00105390 | Hex.bolt | 1 | |
| 12 | 00740090 | Detent edged washer | 2 | |
| 13 | 00053350 | Hexagon nut | 5 | |
| 14 | 00053770 | Washer | 1 | |
| 15 | 00740310 | Washer | 3 | |
| 16 | 00053750 | Washer | 3 | |
| 17 | 00077110 | Hexagon screw | 3 | |
| 18 | 00054890 | Cotter pin | 1 | |
| 19 | 01130560 | Pull spring | 1 | |
| 20 | 01130570 | Hex.bolt | 2 | |
| 21 | 00874720 | Washer | 4 | |
| 22 | 00975500 | Turn angle transmitter | 1 | |
| 23 | 03008790 | Backing film | 1 | |
| 24 | 01006210 | Pin contact | 6 | |
| 25 | 01006190 | Seal | 6 | |
| 26 | 03003250 | Pin housing | 1 | |
| 27 | 00559670 | Case | 4 | |
| 28 | 00083640 | Plastic cover | 4 | |
| 29 | 03003260 | Line | 1520mm | |
| 30 | 00133830 | Hex. Nut | 2 | |
| 31 | 00053020 | Hexagon screw | 2 | |
| 32 | 00051520 | Hexagon nut | 4 | |
| 33 | 00053730 | Washer | 4 | |
| 34 | 01130580 | Bush | 1 | |
| 35 | 01130590 | Bush | 1 | |
| 36 | 01073650 | Countersunk screw | 1 | |

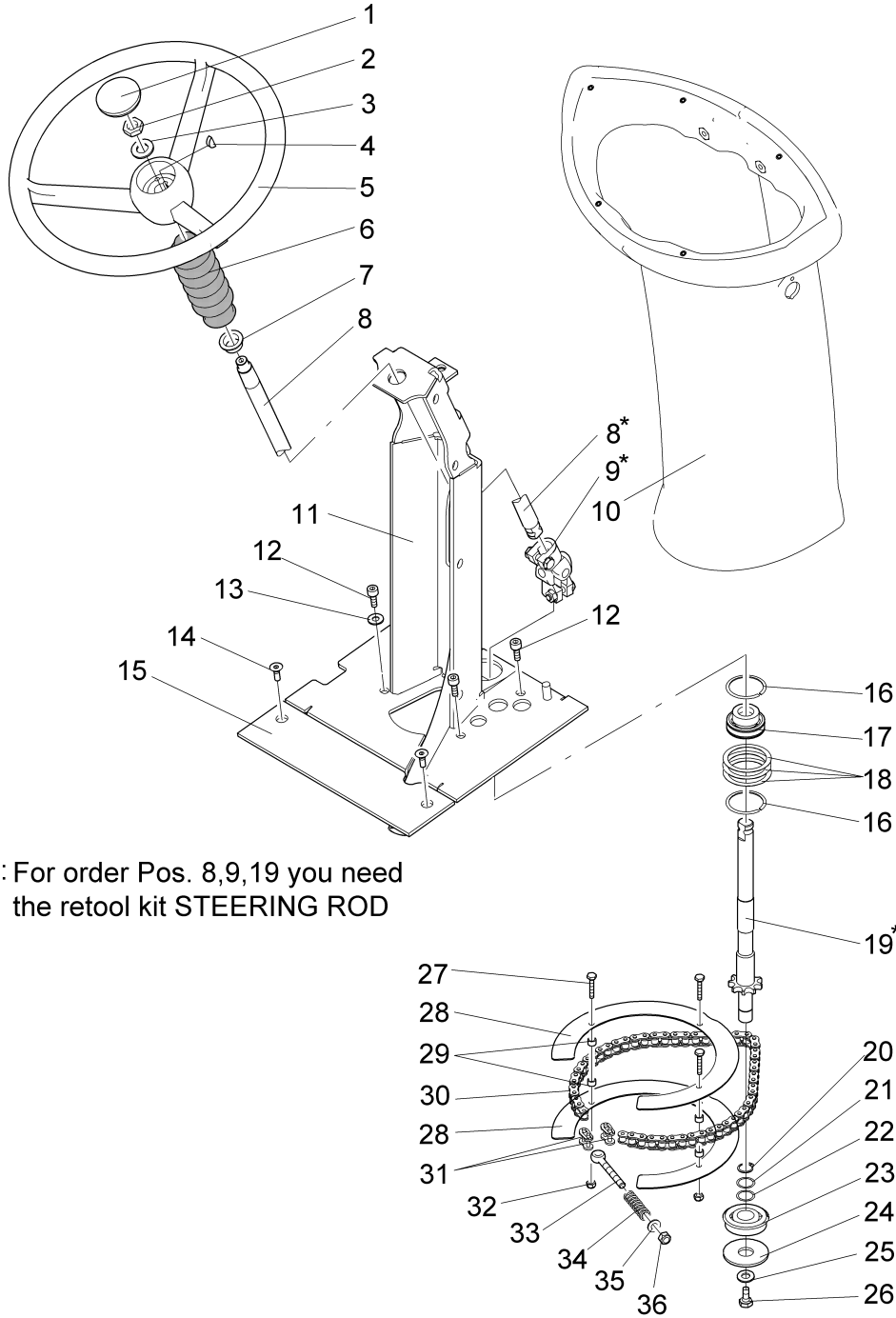
Accelerator B (97077374)



Accelerator B (97077374)

| Item | Part number | Description | Qty. | Remarks |
|------|-------------|---------------------|------|---------|
| 37 | 01130600 | Plate | 2 | |
| 38 | 00046440 | Dowel pin | 2 | |
| 39 | 00053320 | Hex. Nut | 1 | |
| 40 | 00051340 | Hexagon nut | 2 | |
| 41 | 00053040 | Hex.bolt | 1 | |
| 42 | 00135120 | Washer | 1 | |
| 43 | 03003270 | Angel | 1 | |
| 44 | 00924700 | Washer | 1 | |
| 45 | 00045540 | Cylinder head screw | 2 | |
| 46 | 00053330 | Hexagon nut | 1 | |
| 47 | 00737680 | Hex.bolt | 1 | |
| 48 | 00553740 | Washer | 4 | |
| 49 | 01113350 | Sheet metal | 1 | |
| 50 | 00975510 | Micro switch | 2 | |
| 51 | 00022180 | Hex.bolt | 4 | |
| 52 | 00967760 | Cable tie | 2 | |
| 53 | 00121150 | Cable tie | 4 | |

Steering (til 6502.60.5.0133.3) (97077127-1a 6502-60)

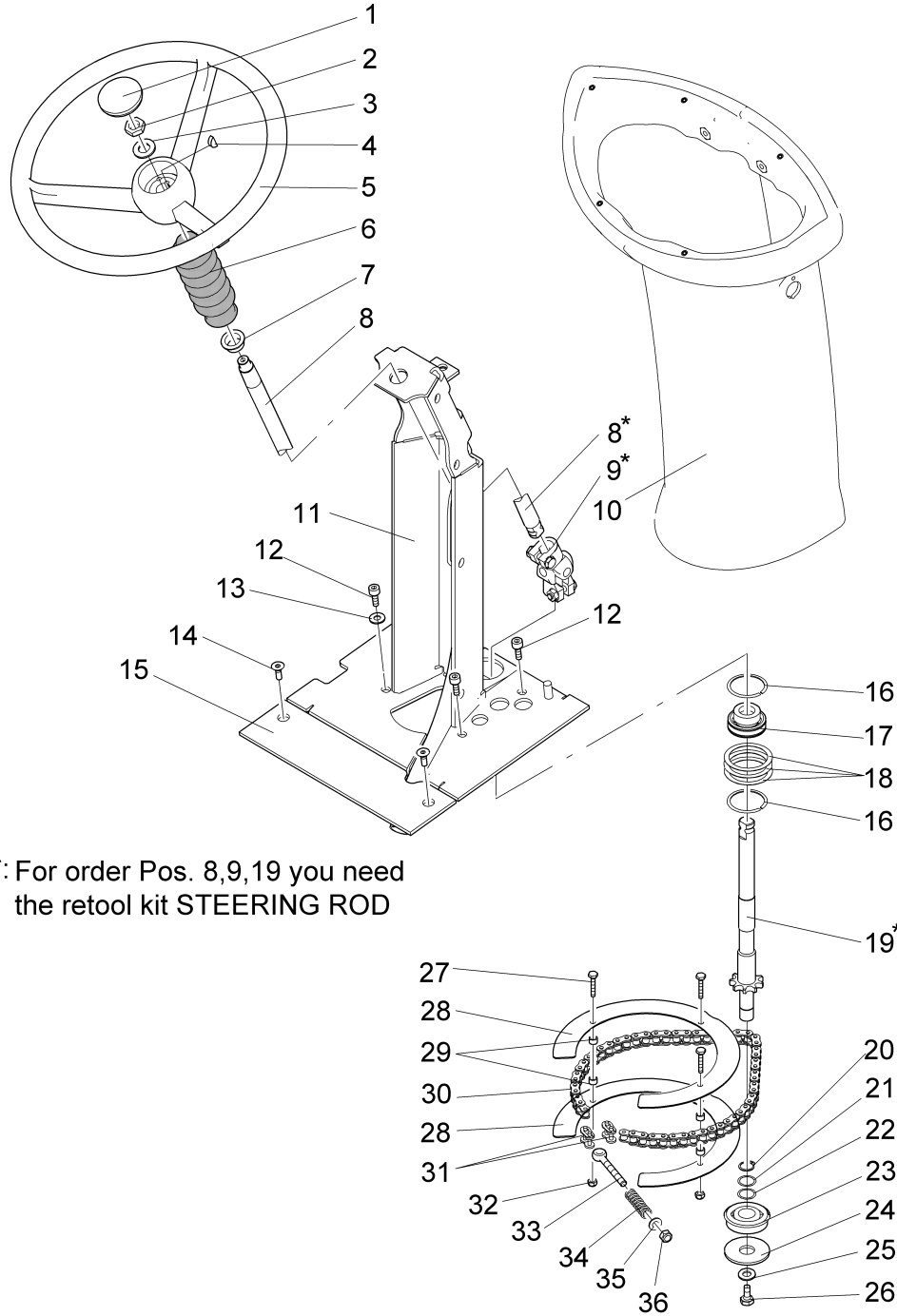


*: For order Pos. 8,9,19 you need
the retool kit STEERING ROD

Steering (til 6502.60.5.0133.3) (97077127-1a 6502-60)

| Item | Part number | Description | Qty. | Remarks |
|------|-------------|--------------------------|------|---------|
| 1 | 00852310 | Cap | 1 | |
| 2 | 00053740 | Hexagon nut | 2 | |
| 3 | 00053780 | Washer | 1 | |
| 4 | 00153600 | Woodruff key | 1 | |
| 5 | 00770220 | Steering wheel | 1 | |
| 6 | 01130390 | Bellows | 1 | |
| 7 | 01130470 | Slide bearing bush | 5 | |
| 8 | 00008880 | Retool kit STEERING ROD | 1 | |
| 9 | 00008880 | Retool kit STEERING ROD | 1 | |
| 10 | 01132840 | Steering column, cpl. | 1 | |
| 11 | 03004850 | steering carrier, cpl. | 1 | |
| 12 | 00045540 | Cylinder head screw | 4 | |
| 13 | 00740090 | Detent edged washer | 4 | |
| 14 | 00059080 | Countersunk screw | 2 | |
| 15 | 01135560 | Plate | 1 | |
| 16 | 01001260 | Circlip | 2 | |
| 17 | 01001320 | Bearing | 1 | |
| 18 | 01132850 | Adjusting washer | 3 | |
| 19 | 00008880 | Retool kit STEERING ROD | 1 | |
| 20 | 00022230 | Retaining ring | 1 | |
| 21 | 00155180 | Adjusting washer | 2 | |
| 22 | 00125680 | Adjusting washer | 1 | |
| 23 | 00901380 | Deep groove ball bearing | 1 | |
| 24 | 00954200 | Washer | 1 | |
| 25 | 00740080 | Washer | 1 | |
| 26 | 00053080 | Hexagon screw | 1 | |
| 27 | 00053040 | Hex.bolt | 3 | |
| 28 | 01132870 | Plate | 1 | |
| 29 | 01006840 | Bushing | 3 | |
| 30 | 01132880 | Roller chain | 1 | |
| 31 | 00535820 | Section | 2 | |
| 32 | 00051520 | Hexagon nut | 3 | |
| 33 | 01132890 | Eyebolt | 1 | |
| 34 | 00550410 | Pressure spring | 1 | |
| 35 | 00053750 | Washer | 1 | |
| 36 | 00051510 | Hexagon nut | 1 | |

Steering (til 6502.60.5.0133.3) (97077127-1a 6502-60)

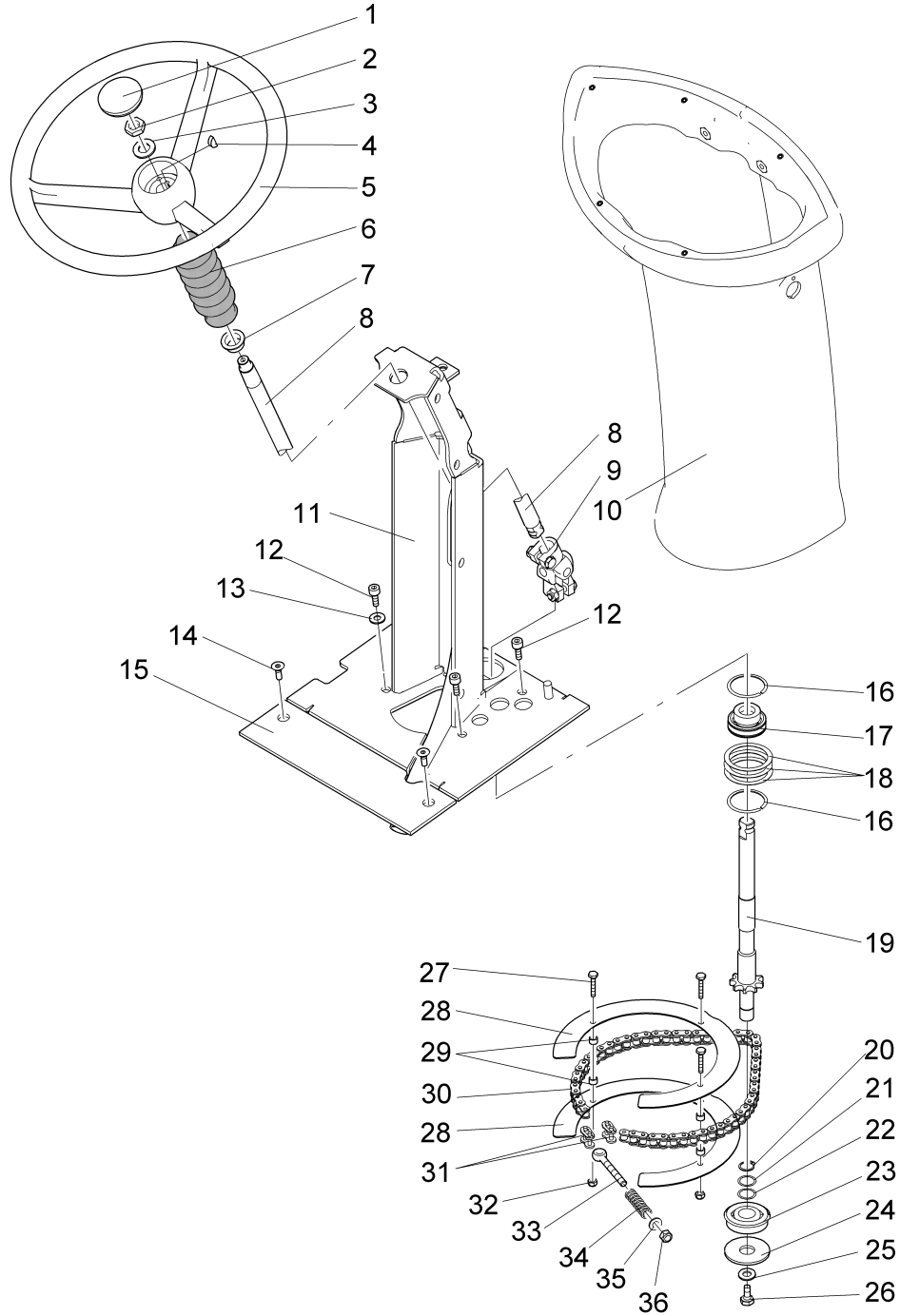


*: For order Pos. 8,9,19 you need
the retool kit STEERING ROD

Steering (til 6502.60.5.0133.3) (97077127-1a 6502-60)

| Item | Part number | Description | Qty. | Remarks |
|------|-------------|-------------------------|------|---------|
| KUD | 00008880 | Retool kit STEERING ROD | 1 | |

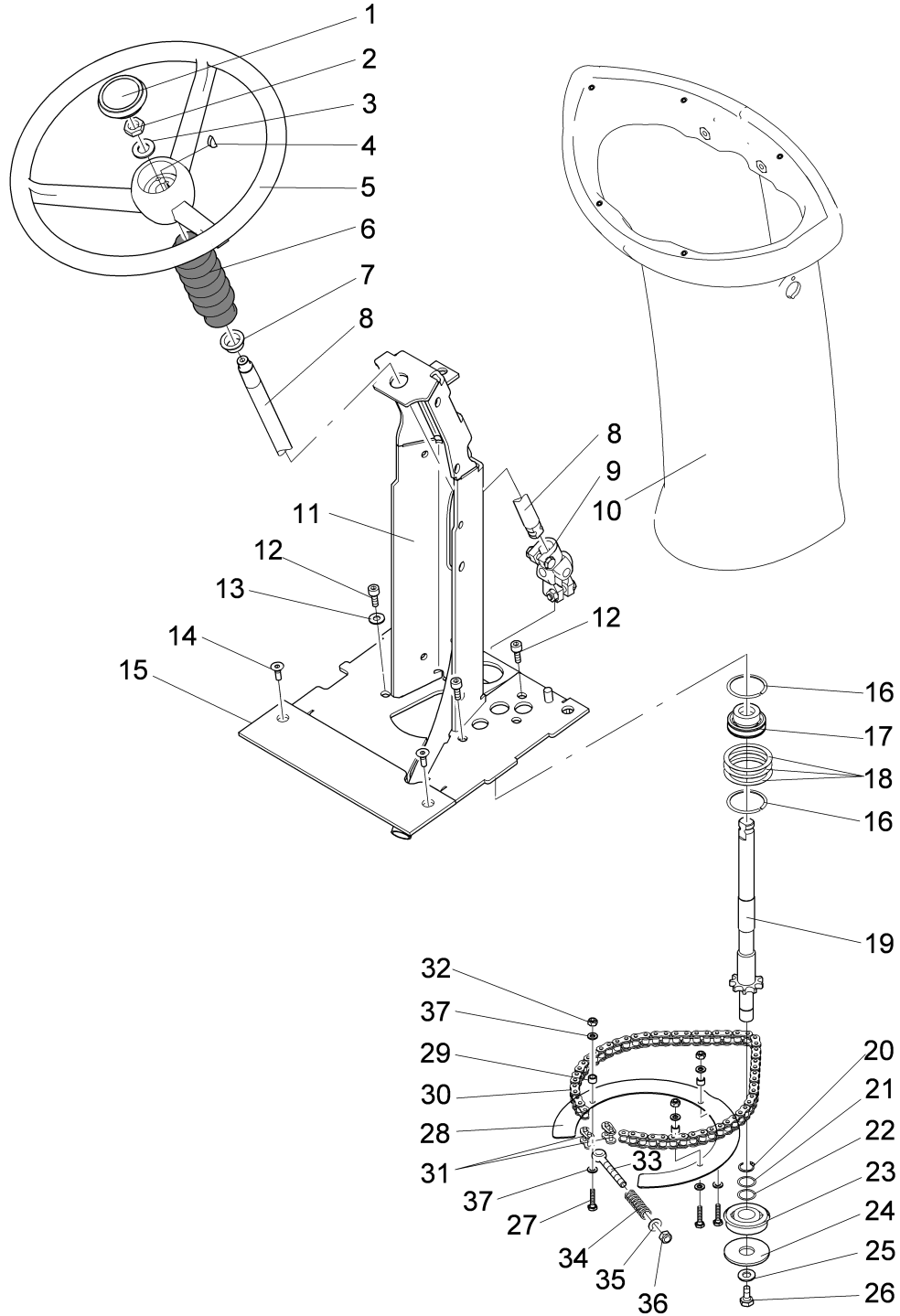
Steering (from 6502.60.5.0134.3 until aug.2007) (97077127-1b 6502-60)



Steering (from 6502.60.5.0134.3 until aug.2007) (97077127-1b 6502-60)

| Item | Part number | Description | Qty. | Remarks |
|------|-------------|--------------------------|------|---------|
| 1 | 00852310 | Cap | 1 | |
| 2 | 00053740 | Hexagon nut | 2 | |
| 3 | 00053780 | Washer | 1 | |
| 4 | 00153600 | Woodruff key | 1 | |
| 5 | 00770220 | Steering wheel | 1 | |
| 6 | 01130390 | Bellows | 1 | |
| 7 | 01130470 | Slide bearing bush | 5 | |
| 8 | 01132830 | Steering axle | 1 | |
| 9 | 00746040 | Cardan joint | 1 | |
| 10 | 01132840 | Steering column, cpl. | 1 | |
| 11 | 03004850 | steering carrier, cpl. | 1 | |
| 12 | 00045540 | Cylinder head screw | 4 | |
| 13 | 00740090 | Detent edged washer | 4 | |
| 14 | 00059080 | Countersunk screw | 2 | |
| 15 | 01135560 | Plate | 1 | |
| 16 | 01001260 | Circlip | 2 | |
| 17 | 01001320 | Bearing | 1 | |
| 18 | 01132850 | Adjusting washer | 3 | |
| 19 | 01132860 | Steering rod, cpl. | 1 | |
| 20 | 00022230 | Retaining ring | 1 | |
| 21 | 00155180 | Adjusting washer | 2 | |
| 22 | 00125680 | Adjusting washer | 1 | |
| 23 | 00901380 | Deep groove ball bearing | 1 | |
| 24 | 00954200 | Washer | 1 | |
| 25 | 00740080 | Washer | 1 | |
| 26 | 00053080 | Hexagon screw | 1 | |
| 27 | 00053040 | Hex.bolt | 3 | |
| 28 | 01132870 | Plate | 1 | |
| 29 | 01006840 | Bushing | 3 | |
| 30 | 01132880 | Roller chain | 1 | |
| 31 | 00535820 | Section | 2 | |
| 32 | 00051520 | Hexagon nut | 3 | |
| 33 | 01132890 | Eyebolt | 1 | |
| 34 | 00550410 | Pressure spring | 1 | |
| 35 | 00053750 | Washer | 1 | |
| 36 | 00051510 | Hexagon nut | 1 | |

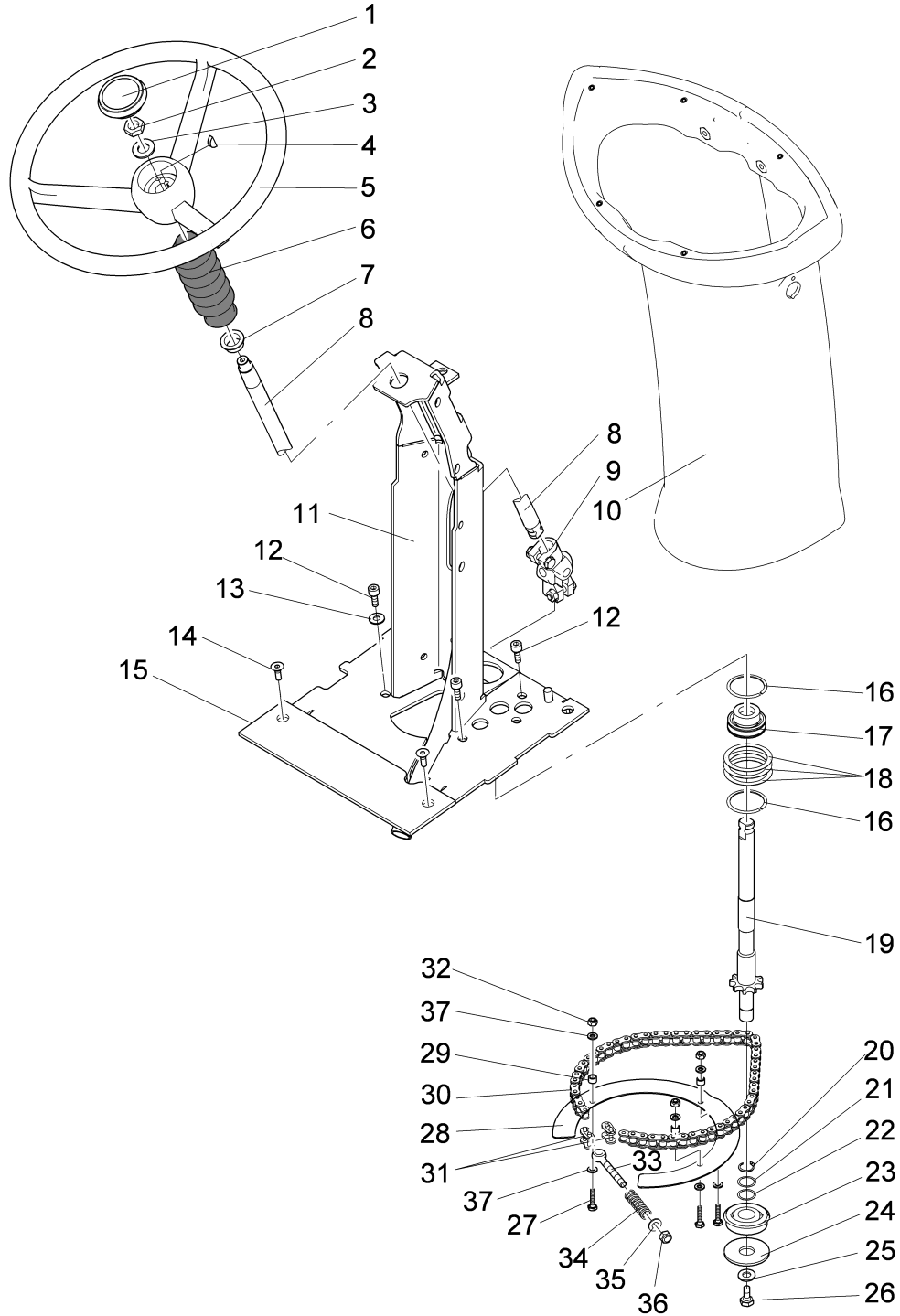
Steering (from sept. 2007) (97077127-1c 6502-30)



Steering (from sept. 2007) (97077127-1c 6502-30)

| Item | Part number | Description | Qty. | Remarks |
|------|-------------|--------------------------|------|---------|
| 1 | 01140650 | Cap | 1 | |
| 2 | 00053740 | Hexagon nut | 2 | |
| 3 | 00053780 | Washer | 1 | |
| 4 | 00153600 | Woodruff key | 1 | |
| 5 | 00770220 | Steering wheel | 1 | |
| 6 | 01132820 | Bellow | 1 | |
| 7 | 01130470 | Slide bearing bush | 5 | |
| 8 | 01132830 | Steering axle | 1 | |
| 9 | 00746040 | Cardan joint | 1 | |
| 10 | 01132840 | Steering column, cpl. | 1 | |
| 11 | 03007210 | Steering carrier, cpl. | 1 | |
| 12 | 00045540 | Cylinder head screw | 4 | |
| 13 | 00740090 | Detent edged washer | 4 | |
| 14 | 00059080 | Countersunk screw | 2 | |
| 15 | 01135560 | Plate | 1 | |
| 16 | 01001260 | Circlip | 2 | |
| 17 | 01001320 | Bearing | 1 | |
| 18 | 01132850 | Adjusting washer | 3 | |
| 19 | 01132860 | Steering rod, cpl. | 1 | |
| 20 | 00022230 | Retaining ring | 1 | |
| 21 | 00155180 | Adjusting washer | 2 | |
| 22 | 00125680 | Adjusting washer | 1 | |
| 23 | 00901380 | Deep groove ball bearing | 1 | |
| 24 | 00954200 | Washer | 1 | |
| 25 | 00740080 | Washer | 1 | |
| 26 | 00053080 | Hexagon screw | 1 | |
| 27 | 00053030 | Hexagon screw | 3 | |
| 28 | 01132870 | Plate | 1 | |
| 29 | 01006840 | Bushing | 3 | |
| 30 | 01132880 | Roller chain | 1 | |
| 31 | 00535820 | Section | 2 | |
| 32 | 00051520 | Hexagon nut | 3 | |
| 33 | 01132890 | Eyebolt | 1 | |
| 34 | 00550410 | Pressure spring | 1 | |
| 35 | 00053750 | Washer | 1 | |
| 36 | 00051510 | Hexagon nut | 1 | |

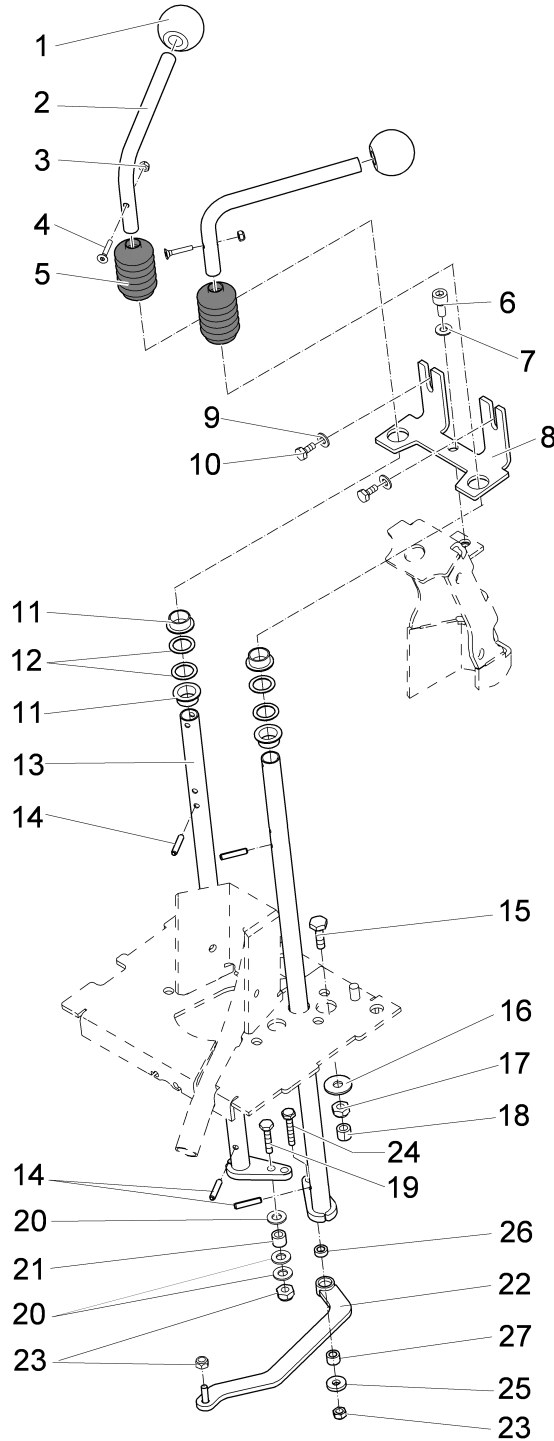
Steering (from sept. 2007) (97077127-1c 6502-30)



Steering (from sept. 2007) (97077127-1c 6502-30)

| Item | Part number | Description | Qty. | Remarks |
|-------------|--------------------|--------------------|-------------|----------------|
| 37 | 00053730 | Washer | 6 | |

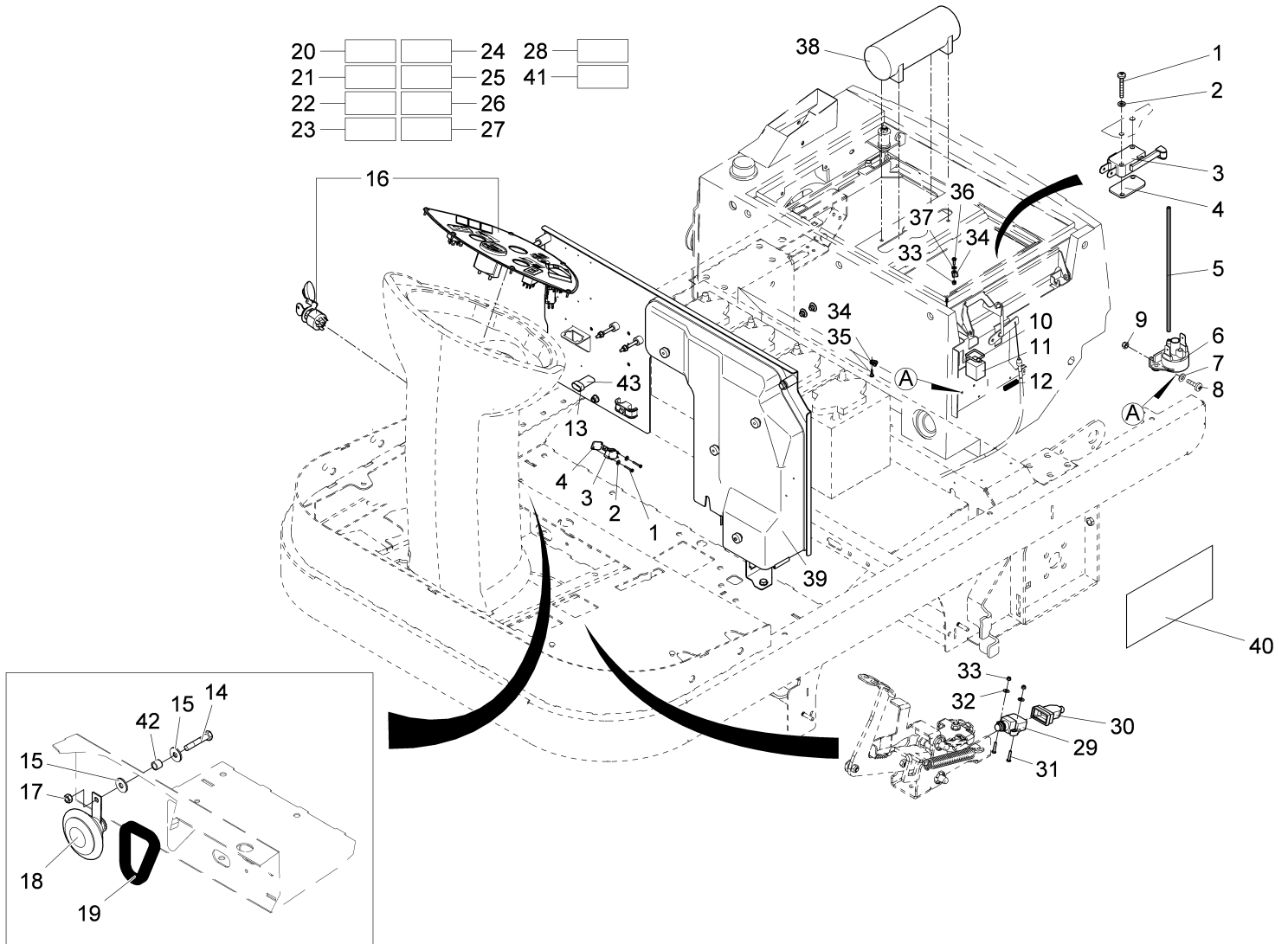
Manipulation for side brush and sweeping roller (97077127-2)



Manipulation for side brush and sweeping roller (97077127-2)

| Item | Part number | Description | Qty. | Remarks |
|------|-------------|--------------------|------|---------|
| 1 | 01132810 | Knob | 2 | |
| 2 | 01130410 | Arc | 2 | |
| 3 | 00051520 | Hexagon nut | 2 | |
| 4 | 01093180 | Countersunk screw | 2 | |
| 5 | 01132820 | Bellow | 2 | |
| 6 | 00108590 | Socket head screw | 1 | |
| 7 | 00053760 | Washer | 1 | |
| 8 | 03004840 | retainer | 1 | |
| 9 | 00053750 | Washer | 2 | |
| 10 | 00053080 | Hexagon screw | 2 | |
| 11 | 01130470 | Slide bearing bush | 2 | |
| 12 | 00153700 | Adjusting washer | 4 | |
| 13 | 01130430 | Lever | 2 | |
| 14 | 00044160 | Dowel pin | 4 | |
| 15 | 00053160 | Hexagon screw | 2 | |
| 16 | 00046520 | Washer | 2 | |
| 17 | 00051500 | Hexagon nut | 2 | |
| 18 | 01090960 | Hose PVC | 30mm | |
| 19 | 00054690 | Hexagon screw | 1 | |
| 20 | 00053750 | Washer | 3 | |
| 21 | 00733400 | Spacer sleeve | 1 | |
| 22 | 01130440 | Sheet metal | 1 | |
| 23 | 00051510 | Hexagon nut | 3 | |
| 24 | 00133700 | Hexagon screw | 1 | |
| 25 | 00695300 | Washer | 1 | |
| 26 | 01135590 | Slide bearing bush | 1 | |
| 27 | 01135600 | Slide bearing bush | 1 | |

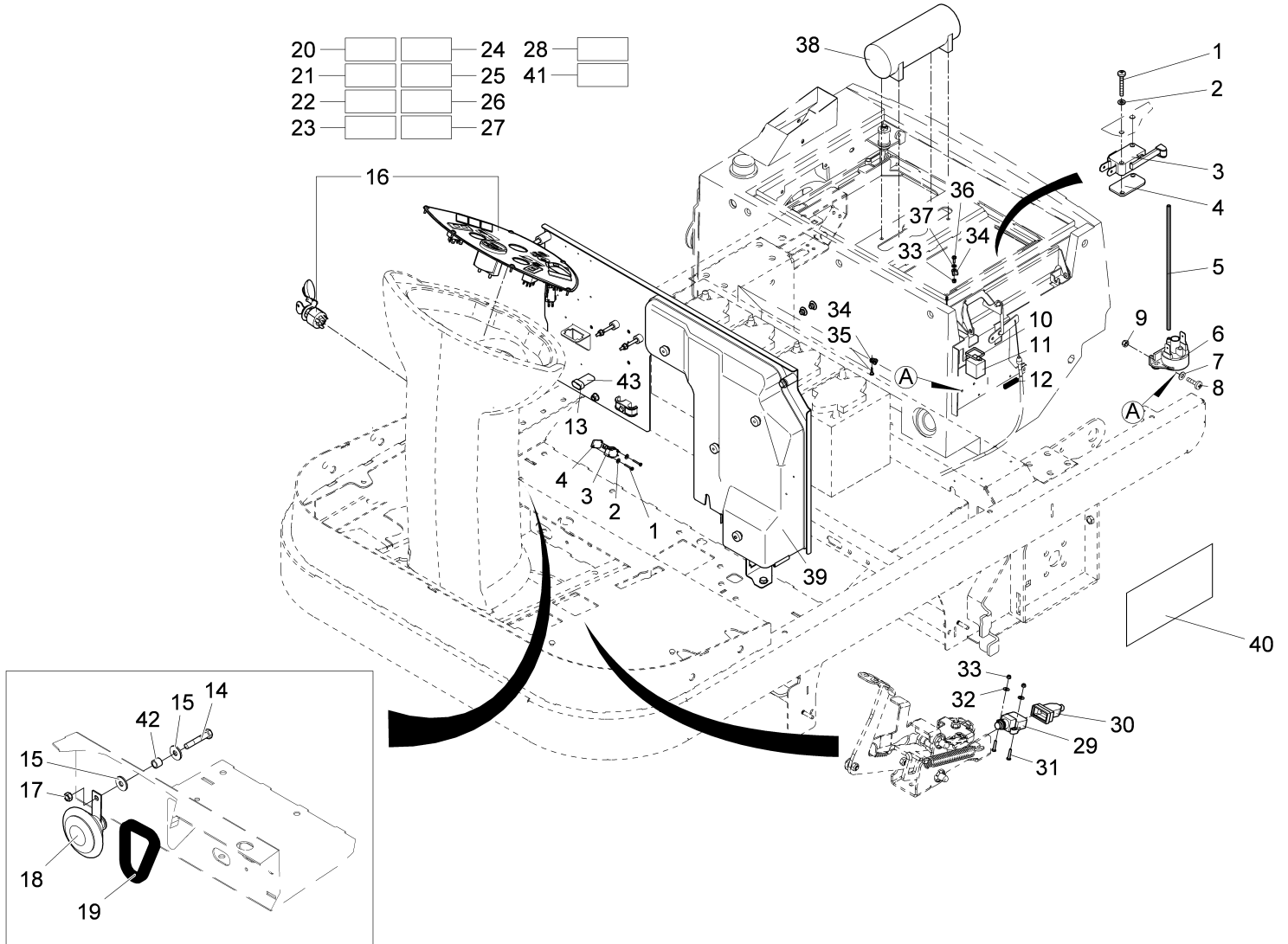
Electrical equipment (97090666)



Electrical equipment (97090666)

| Item | Part number | Description | Qty. | Remarks |
|------|-----------------|----------------------|-------------|-----------------------------|
| 1 | 00955220 | Fillister-head screw | 2 | |
| 2 | 00747400 | Washer | 2 | |
| 3 | 00975510 | Micro switch | 1 | |
| 4 | 01074840 | Thread base plate | 1 | |
| 5 | 01090200 | Hose | 250mm | |
| 6 | 01133980 | push button switch | 1 | |
| 7 | 00553740 | Washer | 2 | |
| 8 | 00535780 | Fillister-head screw | 2 | |
| 9 | 00022200 | Hex. Nut | 2 | |
| 10 | 00967760 | Cable tie | 33 | |
| 11 | 01132670 | Bush bearing | 1 | |
| 12 | 00721090 | Edge protection | 40mm | |
| 13 | 01006200 | Sealing plug | 1 | |
| 14 | 00053110 | Hexagon screw | 1 | |
| 15 | 00740310 | Washer | 1 | |
| 16 | 97081137 | Control panel | Page | 32 |
| 17 | 00051510 | Hexagon nut | 1 | |
| 18 | 01133200 | Horn | 1 | |
| 19 | 00161240 | Edge protection | 260mm | |
| 20 | XXXXXXXX | no part-No. til yet | 1 | 97084974 Wiring harness W1 |
| 21 | XXXXXXXX | no part-No. til yet | 1 | 97089049 Wiring harness W2 |
| 22 | XXXXXXXX | no part-No. til yet | 1 | 97081186 Wiring harness W4 |
| 23 | XXXXXXXX | no part-No. til yet | 1 | 97081194 Wiring harness W5 |
| 24 | XXXXXXXX | no part-No. til yet | 1 | 97081228 Wiring harness W8 |
| 25 | XXXXXXXX | no part-No. til yet | 1 | 97081244 Wiring harness W10 |
| 26 | 03008710 | Wiring harness | 1 | |
| 27 | XXXXXXXX | no part-No. til yet | 1 | 97081368 Wiring harness W15 |
| 28 | 03007620 | Wiring harness W19 | 1 | |
| 29 | 00927610 | Switch | 1 | |
| 30 | 00927630 | Cap | 1 | |
| 31 | 00108490 | Hex.bolt | 2 | |
| 32 | 00557150 | Washer | 2 | |
| 33 | 00133830 | Hex. Nut | 3 | |
| 34 | 00903290 | Tube clamp | 2 | |
| 35 | 00961490 | Self tapping screw | 1 | |
| 36 | 00052620 | Fillister-head screw | 1 | |

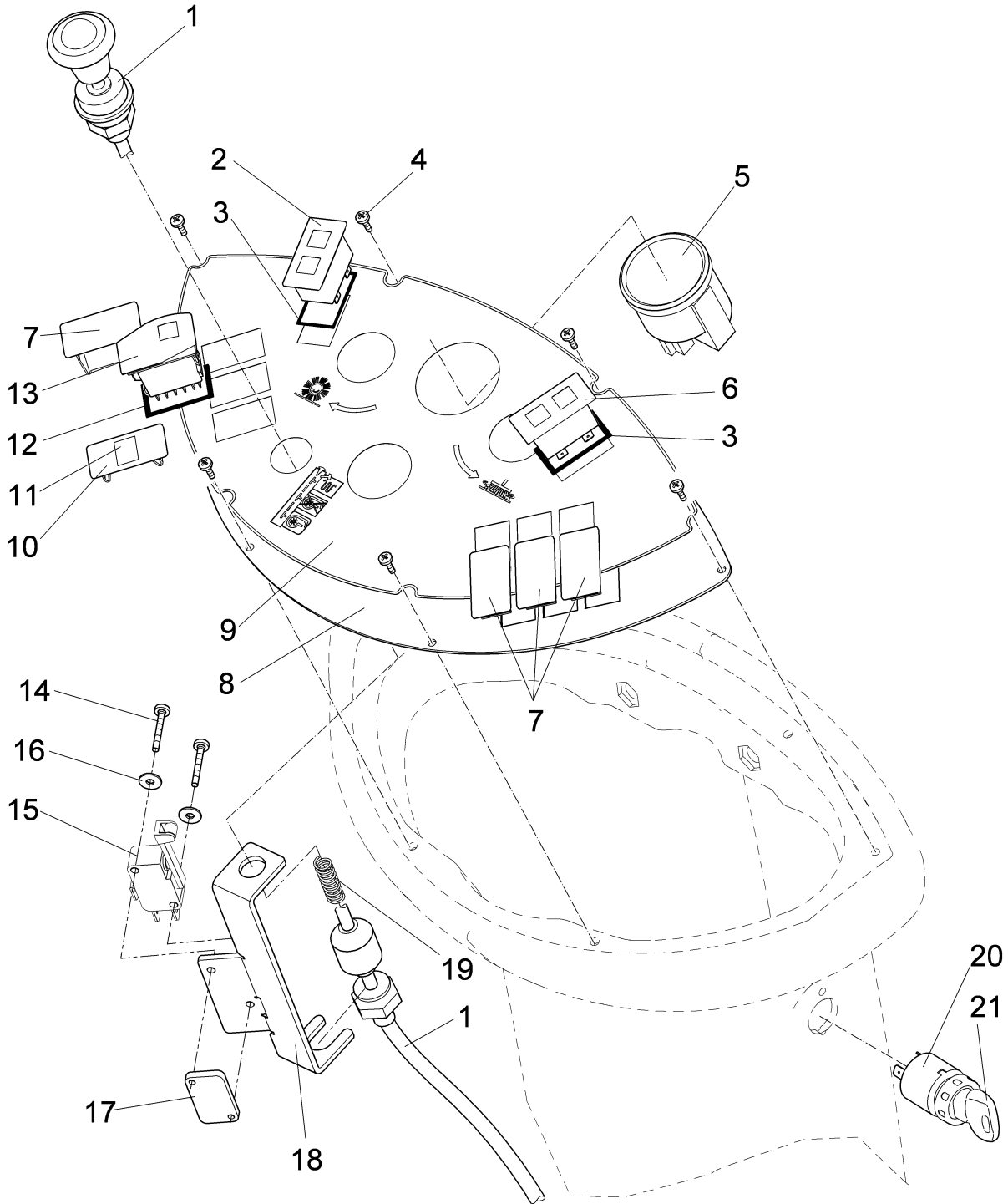
Electrical equipment (97090666)



Electrical equipment (97090666)

| Item | Part number | Description | Qty. | Remarks |
|------|---------------------|---------------------|-------------|--------------------|
| 37 | 00053710 | Washer | 1 | |
| 38 | 01000890 | Vibration motor | 1 | |
| 39 | 97090666BT10 | Electro box | Page | 34 |
| 40 | 03003000 | Transparency | 3 | |
| 41 | XXXXXXXX | no part-No. til yet | 1 | 97089973 Cable set |
| 42 | 00733400 | Spacer sleeve | 1 | |
| 43 | 01006180 | Pin housing | 1 | |

Control panel (97081137)



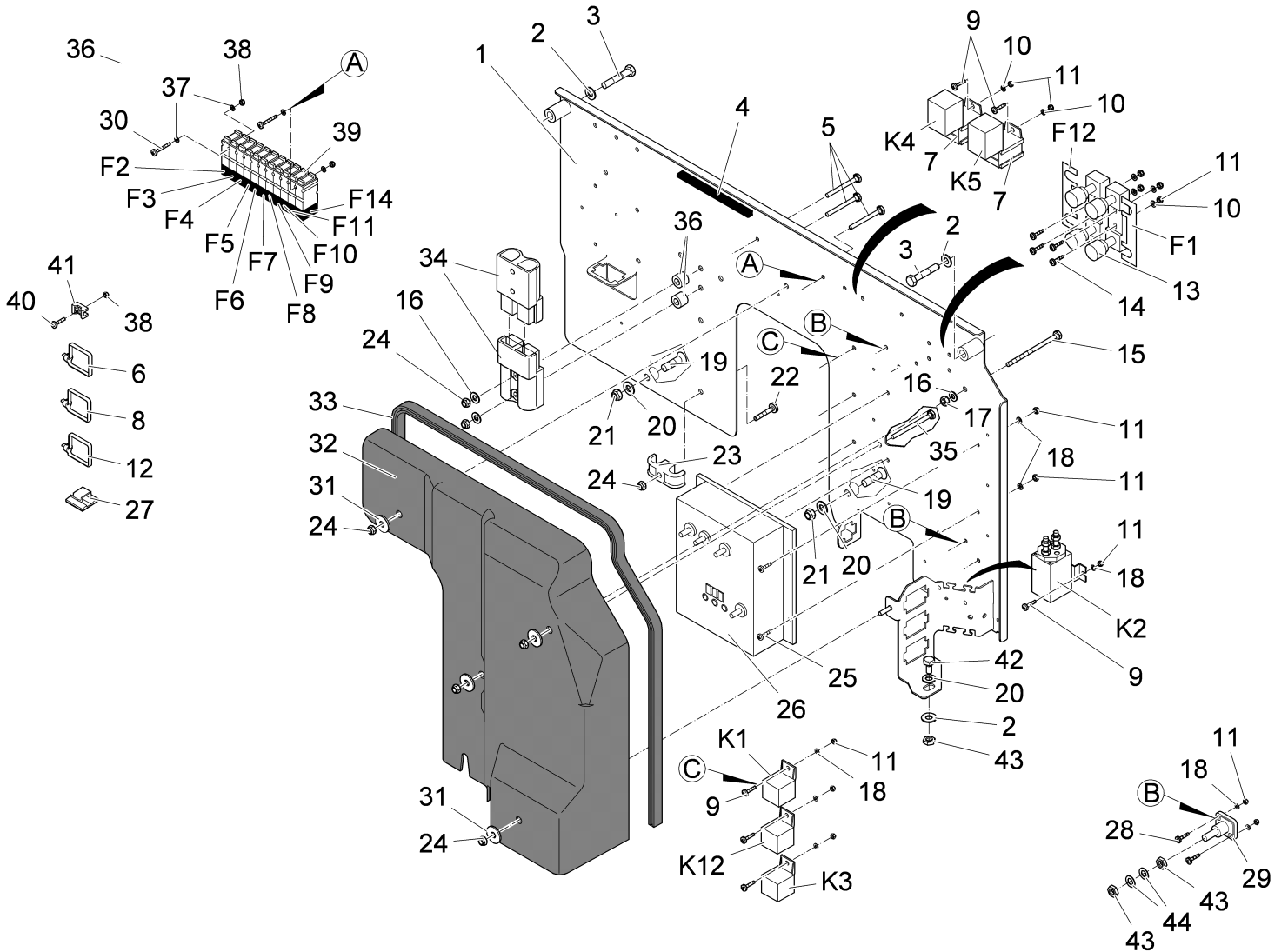
Control panel (97081137)

| Item | Part number | Description | Qty. | Remarks |
|------|-------------|-----------------------------|------|---------|
| 1 | 01131520 | Actuating cable | 1 | |
| 2 | 01132900 | Indicator lamp shake/blower | 1 | |
| 3 | 01131640 | Gasket control-light | 2 | |
| 4 | 00052620 | Fillister-head screw | 6 | |
| 5 | 01132910 | Signal transmitter | 1 | |
| 6 | 01132920 | Indicator lamp brake | 1 | |
| 7 | 01132930 | Cap | 4 | |
| 8 | 03004860 | control panel plate | 1 | |
| 9 | 01132940 | Control panel foil | 1 | |
| 10 | 01132950 | Cover | 1 | |
| 11 | 03008790 | Backing film | 1 | |
| 12 | 01132960 | Switch gasket | 1 | |
| 13 | 01132970 | Switch horn | 1 | |
| 14 | 00955220 | Fillister-head screw | 2 | |
| 15 | 00975510 | Micro switch | 1 | |
| 16 | 00747400 | Washer | 2 | |
| 17 | 01074840 | Thread base plate | 1 | |
| 18 | 03003450 | Plate | 1 | |
| 19 | 00902200 | Pressure spring | 1 | |
| 20 | 00021710 | Key switch | 1 | |
| 21 | 00745890 | Set (2pc.) key | 1 | |

Electro box (97090666BT10)

| Assembly | Description | Page |
|-----------------|--------------------------------|-------------|
| 97090666BT11 | Electrobox until 30. apr. 2008 | 35 |
| 97090666BT12 | Electrobox from 1. may 2008 | 40 |

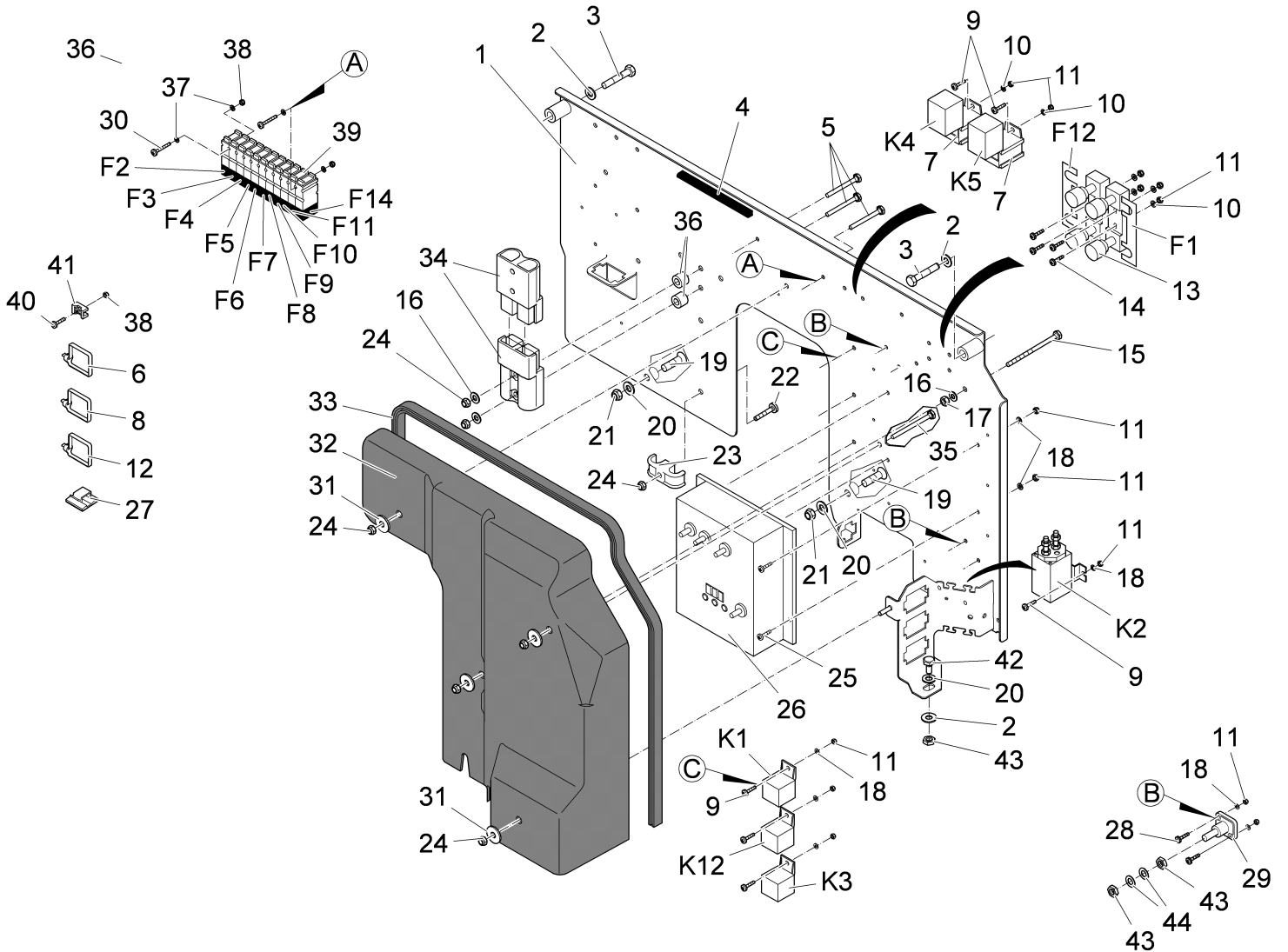
Electrobox until 30. apr. 2008 (97090666BT11)



Electrobox until 30. apr. 2008 (97090666BT11)

| Item | Part number | Description | Qty. | Remarks |
|------|-------------|----------------------|--------|---------|
| 1 | 01133160 | E-carrier | 1 | |
| 2 | 00740090 | Detent edged washer | 3 | |
| 3 | 00041600 | Hex.bolt | 2 | |
| 4 | 00721090 | Edge protection | 120mm | |
| 5 | 00053060 | Hex.bolt | 3 | |
| 6 | 00967760 | Cable tie | 10 | |
| 7 | 01018100 | Housing | 2 | |
| 8 | 00121010 | Cable tie | 50 | |
| 9 | 00052620 | Fillister-head screw | 11 | |
| 10 | 00053710 | Washer | 11 | |
| 11 | 00133830 | Hex. Nut | 11 | |
| 12 | 00121150 | Cable tie | 50 | |
| 13 | 00121440 | Fuse holder | 2 | |
| 14 | 00954570 | Fillister-head screw | 4 | |
| 15 | 00047600 | Hex.bolt | 1 | |
| 16 | 00053730 | Washer | 10 | |
| 17 | 00053330 | Hexagon nut | 3 | |
| 18 | 00053710 | Washer | 10 | |
| 19 | 00509000 | Countersunk screw | 2 | |
| 20 | 00053750 | Washer | 3 | |
| 21 | 00051510 | Hexagon nut | 2 | |
| 22 | 00537220 | Fillister-head screw | 1 | |
| 23 | 00748300 | Clamp | 1 | |
| 24 | 00051520 | Hexagon nut | 7 | |
| 25 | 00731550 | Fillister-head screw | 8 | |
| 26 | 01130760 | Control system | 1 | |
| 27 | 00020650 | Cable clip | 4 | |
| 28 | 00731550 | Fillister-head screw | 4 | |
| 29 | 00744670 | Single clamp | 2 | |
| 30 | 00101580 | Fillister-head screw | 2 | |
| 31 | 00135120 | Washer | 4 | |
| 32 | 01133190 | Cover | 1 | |
| 33 | 01132640 | Edge protection | 1350mm | |
| 34 | 01075720 | Connector | 2 | |
| 35 | 01132650 | Hexagon screw | 1 | |
| 36 | 00974400 | Bushing | 2 | |

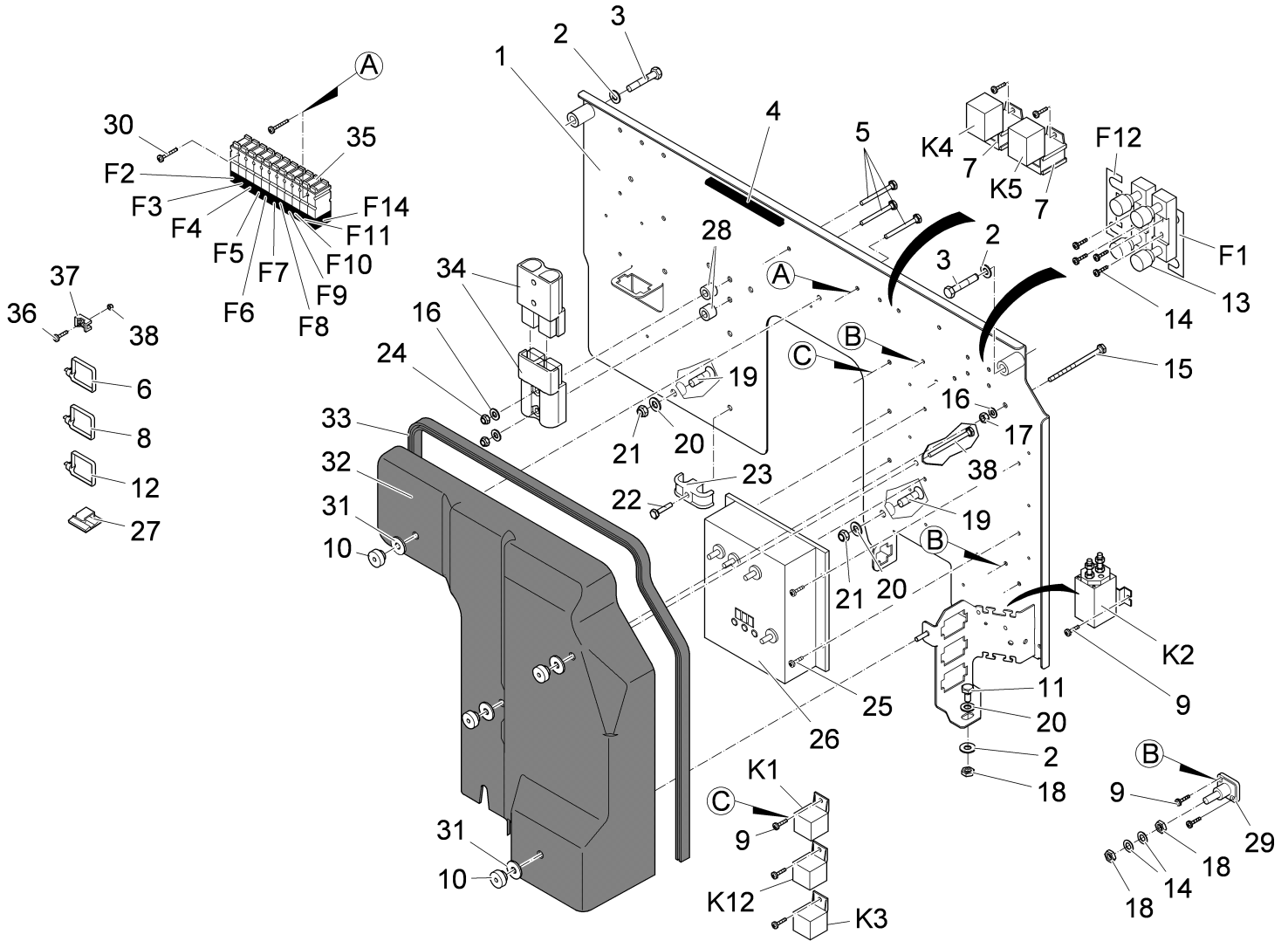
Electrobox until 30. apr. 2008 (97090666BT11)



Electrobox until 30. apr. 2008 (97090666BT11)

| Item | Part number | Description | Qty. | Remarks |
|------|-------------|----------------------|------|-----------------------------------------------------------|
| 37 | 00553740 | Washer | 4 | |
| 38 | 00022200 | Hex. Nut | 2 | |
| 39 | 00733650 | Fuse holder | 11 | |
| 40 | 00535780 | Fillister-head screw | 12 | |
| 41 | 00780710 | Socket | 12 | |
| 42 | 00536320 | Hex.bolt | 1 | |
| 43 | 00046500 | Hex. Nut | 3 | |
| 44 | 00053850 | Spring washer | 2 | |
| F1 | 01056100 | Fuse | 1 | Travel drive control |
| F2 | 00500360 | Fuse link | 1 | Pre-fuse (F3, F4, F5, F6, F8, F9) |
| F3 | 00733630 | Fuse | 1 | Drive control unit control |
| F4 | 00906120 | Fuse | 1 | Jolter control; r-h rear light |
| F5 | 00733630 | Fuse | 1 | Horn |
| F6 | 00906120 | Fuse | 1 | Main motor control |
| F7 | 00906120 | Fuse | 1 | Batery charge indicator |
| F8 | 00509550 | Fuse | 1 | Front lighting, l-h rear light |
| F9 | 00509550 | Fuse | 1 | Lifted-up disposal control (only for 6502.60, -.63, -.64) |
| F10 | 00152060 | Fuse | 1 | Vacuum cleaner option |
| F11 | 00152060 | Fuse | 1 | Jolter motor |
| F12 | 01056100 | Fuse | 1 | Main motor |
| F14 | 00906120 | Fuse | 1 | Flash light option |
| K1 | 00965030 | Relay | 1 | Speed reduction (Multimode) |
| K2 | 00750210 | Solenoid switch | 1 | Main motor performance |
| K3 | 00965030 | Relay | 1 | Main motor cut-off (discharge point) |
| K4 | 01133170 | Relay | 1 | Time relay for filter monitoring |
| K5 | 01133180 | Relay | 1 | Jolting |
| K12 | 00965030 | Relay | 1 | Speed reduction (discharge point) |

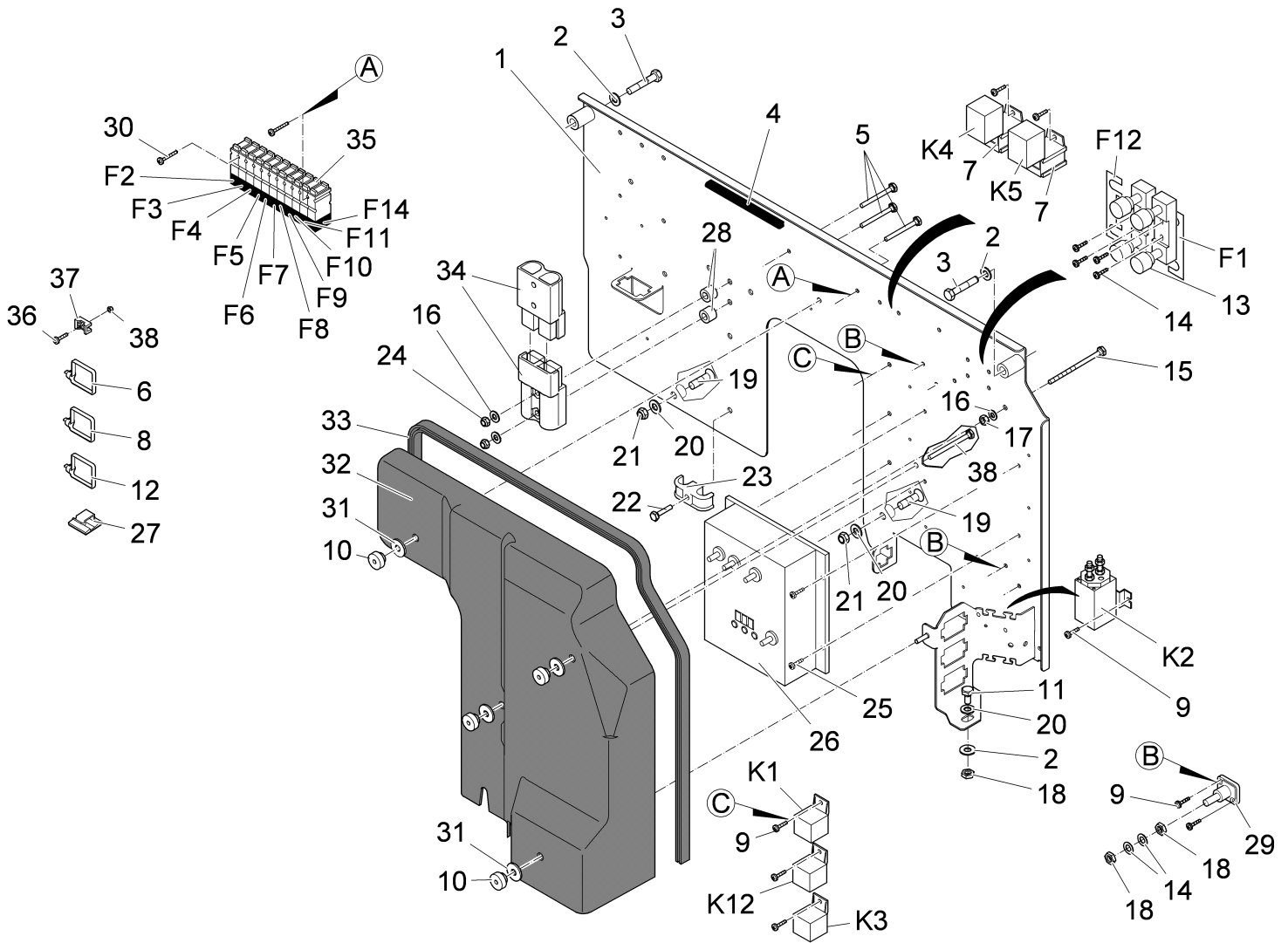
Electrobox from 1. may 2008 (97090666BT12)



Electrobox from 1. may 2008 (97090666BT12)

| Item | Part number | Description | Qty. | Remarks |
|------|-------------|---------------------|--------|---------|
| 1 | 01133160 | E-carrier | 1 | |
| 2 | 00740090 | Detent edged washer | 3 | |
| 3 | 00041600 | Hex.bolt | 2 | |
| 4 | 00721090 | Edge protection | 120mm | |
| 5 | 00053060 | Hex.bolt | 3 | |
| 6 | 00967760 | Cable tie | 10 | |
| 7 | 01018100 | Housing | 2 | |
| 8 | 00121010 | Cable tie | 50 | |
| 9 | 01112160 | Screw | 11 | |
| 10 | 00903210 | Knurled nut | 4 | |
| 11 | 00536320 | Hex.bolt | 1 | |
| 12 | 00121150 | Cable tie | 50 | |
| 13 | 00121440 | Fuse holder | 2 | |
| 14 | 00053850 | Spring washer | 4 | |
| 15 | 00047600 | Hex.bolt | 1 | |
| 16 | 00053730 | Washer | 10 | |
| 17 | 00053330 | Hexagon nut | 3 | |
| 18 | 00046500 | Hex. Nut | 5 | |
| 19 | 00101500 | Countersunk screw | 2 | |
| 20 | 00053750 | Washer | 3 | |
| 21 | 00051510 | Hexagon nut | 2 | |
| 22 | 00133130 | Screw | 1 | |
| 23 | 00748300 | Clamp | 1 | |
| 24 | 00051520 | Hexagon nut | 2 | |
| 25 | 00501420 | Screw | 8 | |
| 26 | 01130760 | Control system | 1 | |
| 27 | 00020650 | Cable clip | 4 | |
| 28 | 00974400 | Bushing | 2 | |
| 29 | 00744670 | Single clamp | 2 | |
| 30 | 01110770 | Screw | 2 | |
| 31 | 00135120 | Washer | 4 | |
| 32 | 01133190 | Cover | 1 | |
| 33 | 01132640 | Edge protection | 1350mm | |
| 34 | 01075720 | Connector | 2 | |
| 35 | 00733650 | Fuse holder | 11 | |
| 36 | 01110570 | Screw | 12 | |

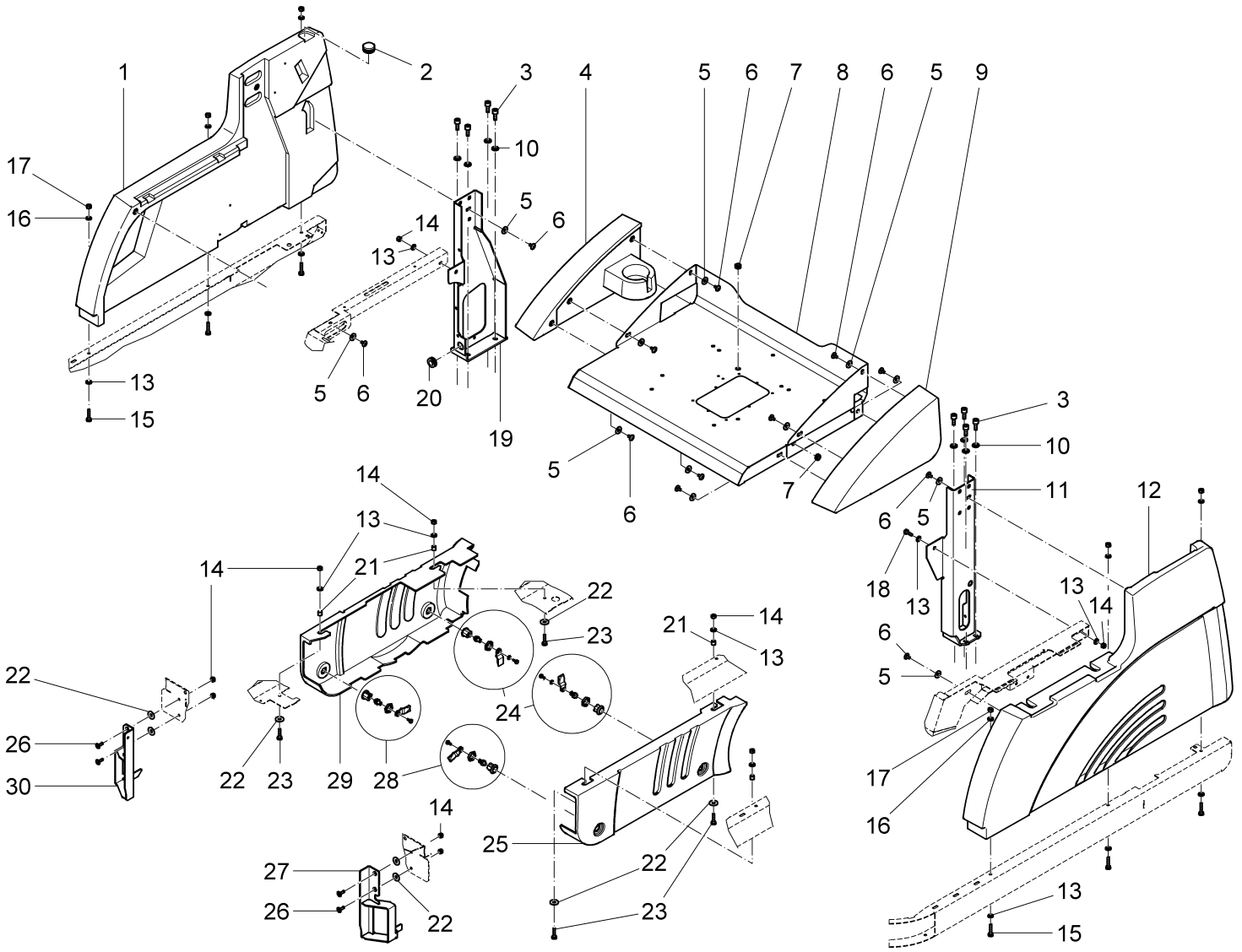
Electrobox from 1. may 2008 (97090666BT12)



Electrobox from 1. may 2008 (97090666BT12)

| Item | Part number | Description | Qty. | Remarks |
|------|-------------|-----------------|------|-----------------------------------------------------------|
| 37 | 00780710 | Socket | 12 | |
| 38 | 01132650 | Hexagon screw | 1 | |
| F1 | 01056100 | Fuse | 1 | Travel drive control |
| F2 | 00500360 | Fuse link | 1 | Pre-fuse (F3, F4, F5, F6, F8, F9) |
| F3 | 00733630 | Fuse | 1 | Drive control unit control |
| F4 | 00906120 | Fuse | 1 | Jolter control; r-h rear light |
| F5 | 00733630 | Fuse | 1 | Horn |
| F6 | 00906120 | Fuse | 1 | Main motor control |
| F7 | 00906120 | Fuse | 1 | Batery charge indicator |
| F8 | 00509550 | Fuse | 1 | Front lighting, l-h rear light |
| F9 | 00509550 | Fuse | 1 | Lifted-up disposal control (only for 6502.60, -.63, -.64) |
| F10 | 00152060 | Fuse | 1 | Vacuum cleaner option |
| F11 | 00152060 | Fuse | 1 | Jolter motor |
| F12 | 01056100 | Fuse | 1 | Main motor |
| F14 | 00906120 | Fuse | 1 | Flash light option |
| K1 | 00965030 | Relay | 1 | Speed reduction (Multimode) |
| K2 | 00750210 | Solenoid switch | 1 | Main motor performance |
| K3 | 00965030 | Relay | 1 | Main motor cut-off (discharge point) |
| K4 | 01133170 | Relay | 1 | Time relay for filter monitoring |
| K5 | 01133180 | Relay | 1 | Jolting |
| K12 | 00965030 | Relay | 1 | Speed reduction (discharge point) |

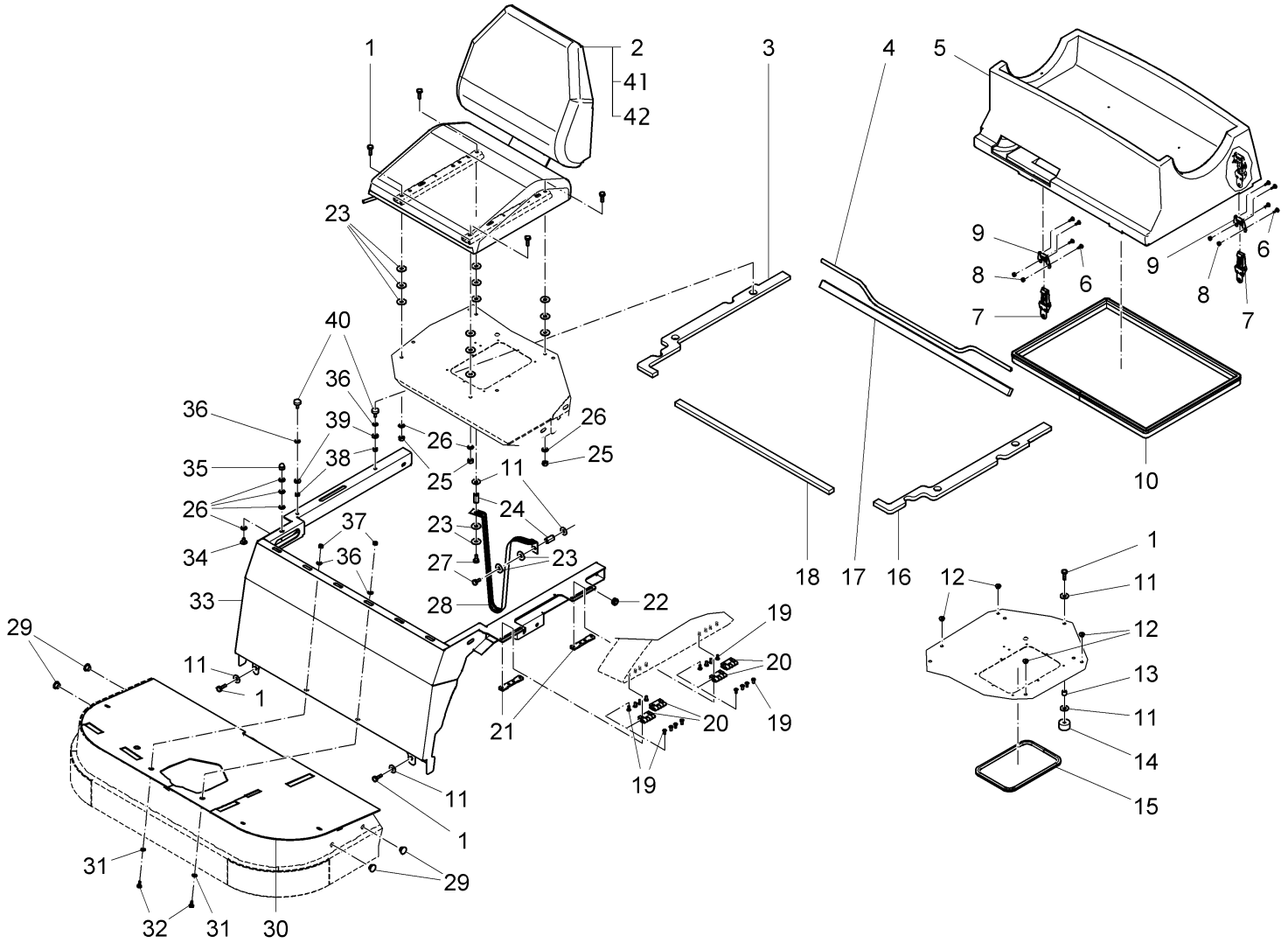
Seat - Covering (Part 1) (97086243-1)



Seat - Covering (Part 1) (97086243-1)

| Item | Part number | Description | Qty. | Remarks |
|------|-------------|---------------------|------|---------|
| 1 | 01133300 | Covering R.H. red | 1 | |
| 2 | 01066690 | Plug | 1 | |
| 3 | 00135030 | Socket head screw | 8 | |
| 4 | 01133330 | Hood R.H. red | 1 | |
| 5 | 00740080 | Washer | 8 | |
| 6 | 01133350 | Lens flange screw | 12 | |
| 7 | 00740360 | Cable sleeve | 2 | |
| 8 | 03005450 | Seat flap | 1 | |
| 9 | 01133370 | Hood L.H. red | 1 | |
| 10 | 00870090 | Detent edged washer | 8 | |
| 11 | 01133420 | Support | 1 | |
| 12 | 01133400 | Covering L.H. red | 1 | |
| 13 | 00053750 | Washer | 14 | |
| 14 | 00051510 | Hexagon nut | 5 | |
| 15 | 00054690 | Hexagon screw | 6 | |
| 16 | 00740310 | Washer | 6 | |
| 17 | 00053350 | Hexagon nut | 6 | |
| 18 | 00077110 | Hexagon screw | 1 | |
| 19 | 01133460 | Support | 1 | |
| 20 | 00555440 | Cable sleeve | 1 | |
| 21 | 00733400 | Spacer sleeve | 4 | |
| 22 | 00042900 | Washer | 4 | |
| 23 | 00053110 | Hexagon screw | 4 | |
| 24 | 01130270 | Casement fastener | 2 | |
| 25 | 01130250 | Covering, L.H. | 1 | |
| 26 | 00059080 | Countersunk screw | 4 | |
| 27 | 01133410 | Retainer L.H. | 1 | |
| 28 | 00121730 | Sash fastener | 2 | |
| 29 | 01130260 | Covering, R.H. | 1 | |
| 30 | 01133450 | Retainer R.H. | 1 | |

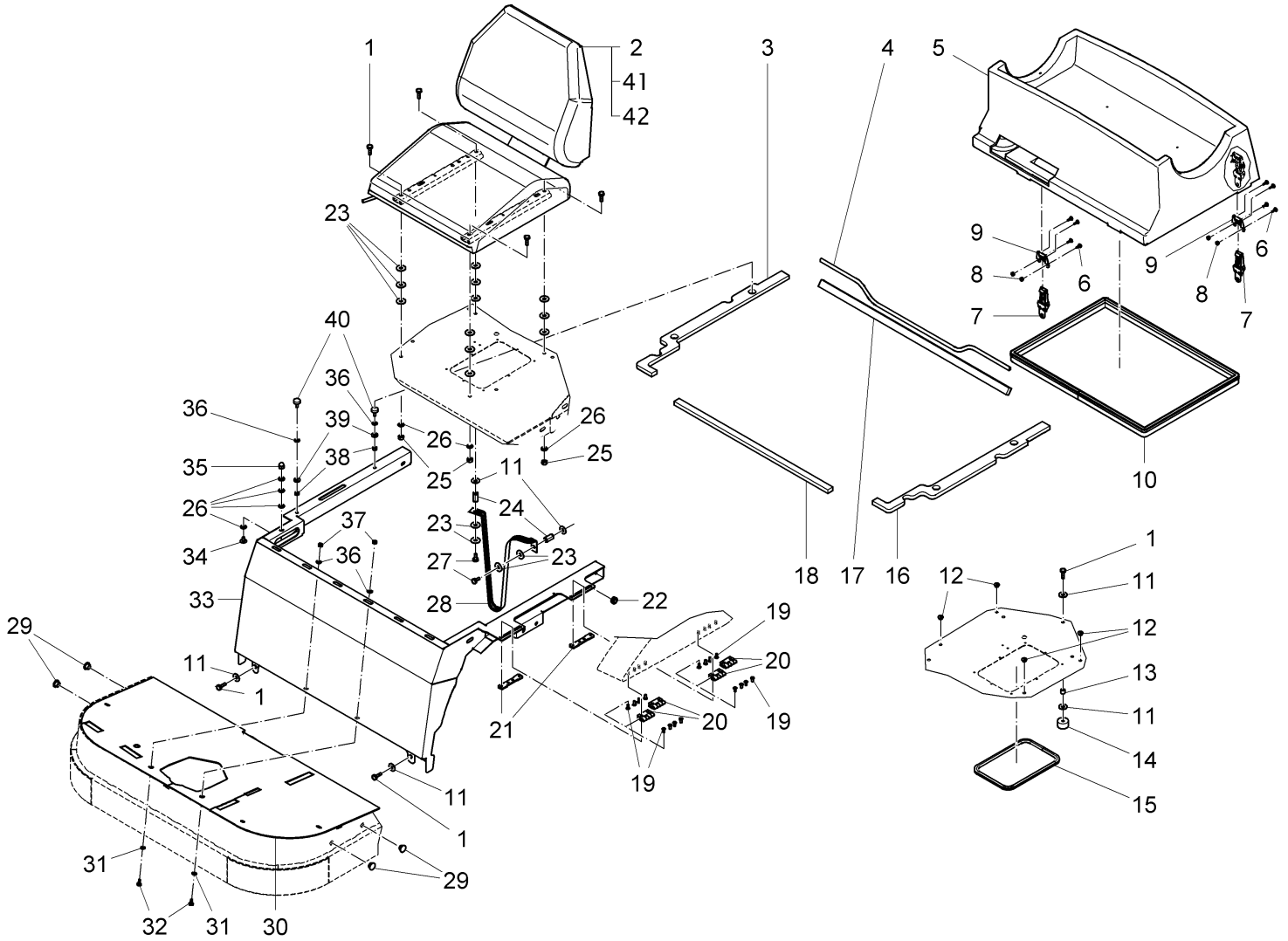
Seat - Covering (Part 2) (97086243-2)



Seat - Covering (Part 2) (97086243-2)

| Item | Part number | Description | Qty. | Remarks |
|------|-------------|---------------------------|--------|---------|
| 1 | 00077110 | Hexagon screw | 7 | |
| 2 | 01071360 | Seat | 1 | |
| 3 | 01133340 | gasket R.H. | 1 | |
| 4 | 00721090 | Edge protection | 650mm | |
| 5 | 01133080 | Filter cover red | 1 | |
| 6 | 00905520 | Screw | 8 | |
| 7 | 01133090 | Catch | 2 | |
| 8 | 00053320 | Hex. Nut | 4 | |
| 9 | 01133100 | Plate | 2 | |
| 10 | 00752350 | Edge protection | 1740mm | |
| 11 | 00740080 | Washer | 10 | |
| 12 | 00906060 | Drain plug | 4 | |
| 13 | 00733400 | Spacer sleeve | 1 | |
| 14 | 00733560 | Bumper | 1 | |
| 15 | 00721090 | Edge protection | 770mm | |
| 16 | 01133430 | gasket L.H. | 1 | |
| 17 | 01031010 | Foam rubber self sticking | 740mm | |
| 18 | 01031010 | Foam rubber self sticking | 610mm | |
| 19 | 01133380 | Countersunk screw | 16 | |
| 20 | 00029230 | Hinge | 4 | |
| 21 | 01072970 | Adjusting latch | 2 | |
| 22 | 00740360 | Cable sleeve | 1 | |
| 23 | 00042900 | Washer | 16 | |
| 24 | 00744340 | Hex. Nut | 2 | |
| 25 | 00051510 | Hexagon nut | 4 | |
| 26 | 00053750 | Washer | 10 | |
| 27 | 00053080 | Hexagon screw | 2 | |
| 28 | 01055740 | Belt | 1 | |
| 29 | 00558390 | Drain plug | 4 | |
| 30 | 01133440 | Rubber mat | 1 | |
| 31 | 00053730 | Washer | 2 | |
| 32 | 00104500 | Hexagon screw | 2 | |
| 33 | 03005460 | Support | 1 | |
| 34 | 01133350 | Lens flange screw | 1 | |
| 35 | 00041790 | Cap nut | 1 | |
| 36 | 00730940 | Detent edged washer | 4 | |

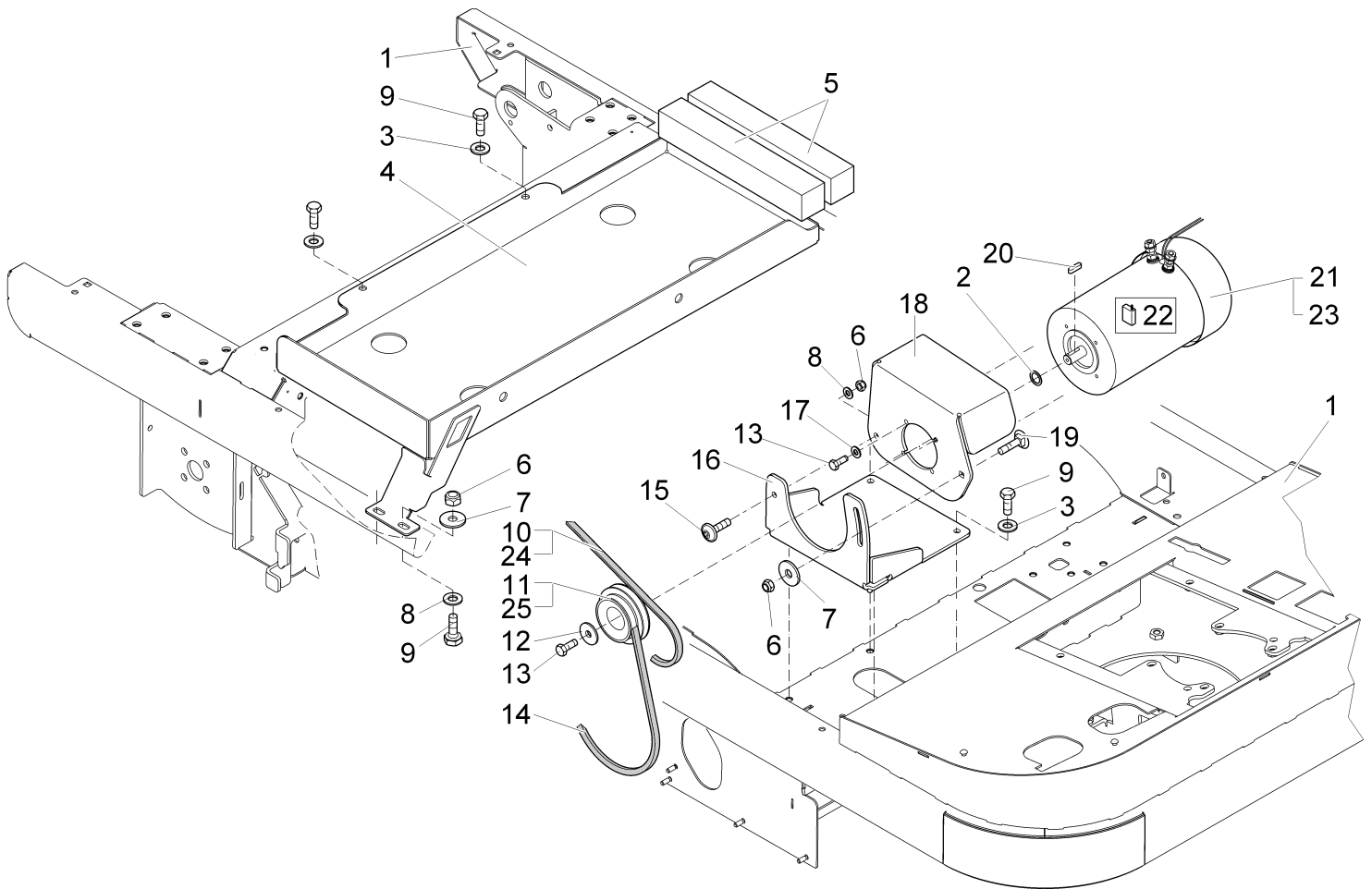
Seat - Covering (Part 2) (97086243-2)



Seat - Covering (Part 2) (97086243-2)

| Item | Part number | Description | Qty. | Remarks |
|------|-------------|---------------------|------|--------------------------------------------------|
| 37 | 00051520 | Hexagon nut | 2 | |
| 38 | 00053330 | Hexagon nut | 2 | |
| 39 | 00856290 | Washer | 2 | |
| 40 | 00127470 | Buffer | 2 | |
| 41 | 01073290 | Micro switch | 1 | |
| 42 | 03017360 | Seat Switch Harness | 1 | Chair cushion SC76 incl. seat switch 01073290 |

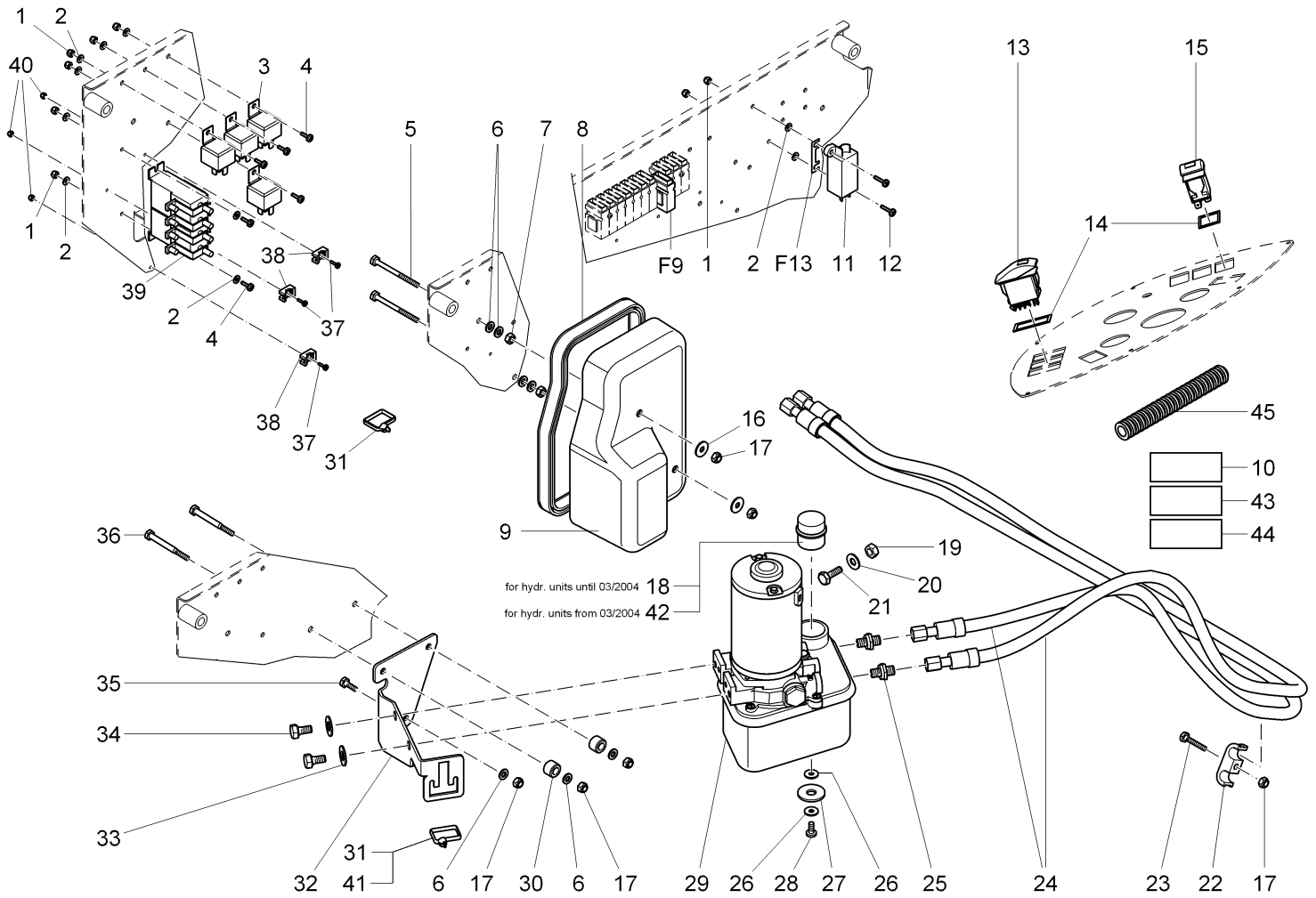
Motor - Chassis (97077259)



Motor - Chassis (97077259)

| Item | Part number | Description | Qty. | Remarks |
|------|-------------|---------------------|------|----------------------|
| 1 | 03003360 | Chassis, cpl | 1 | |
| 2 | 00152530 | Adjusting washer | 1 | |
| 3 | 00740090 | Detent edged washer | 7 | |
| 4 | 01133110 | Battery console | 1 | |
| 5 | 01133120 | Block of wood | 2 | |
| 6 | 00051510 | Hexagon nut | 4 | |
| 7 | 00042900 | Washer | 3 | |
| 8 | 00053750 | Washer | 3 | |
| 9 | 00053090 | Hexagon screw | 8 | |
| 10 | 01131280 | Drive belt | 1 | until September 2005 |
| 11 | 01131290 | Drive belt pulley | 1 | until September 2005 |
| 12 | 00874340 | Washer | 1 | |
| 13 | 00053010 | Hex.bolt | 5 | |
| 14 | 01131300 | Narrow V-belt | 1 | |
| 15 | 01092910 | Lens flange screw | 1 | |
| 16 | 01135570 | Bracket | 1 | |
| 17 | 00730940 | Detent edged washer | 4 | |
| 18 | 03003390 | Holder | 1 | |
| 19 | 00864520 | Screw | 1 | |
| 20 | 00054260 | Feather key | 1 | |
| 21 | 01133130 | Engine | 1 | |
| 22 | 01058650 | Carbon brush | 4 | |
| 23 | 01133140 | Temperature switch | 1 | |
| 24 | 01134820 | V-belt | 1 | from October 2005 |
| 25 | 01135100 | belt pulley | 1 | from October 2005 |

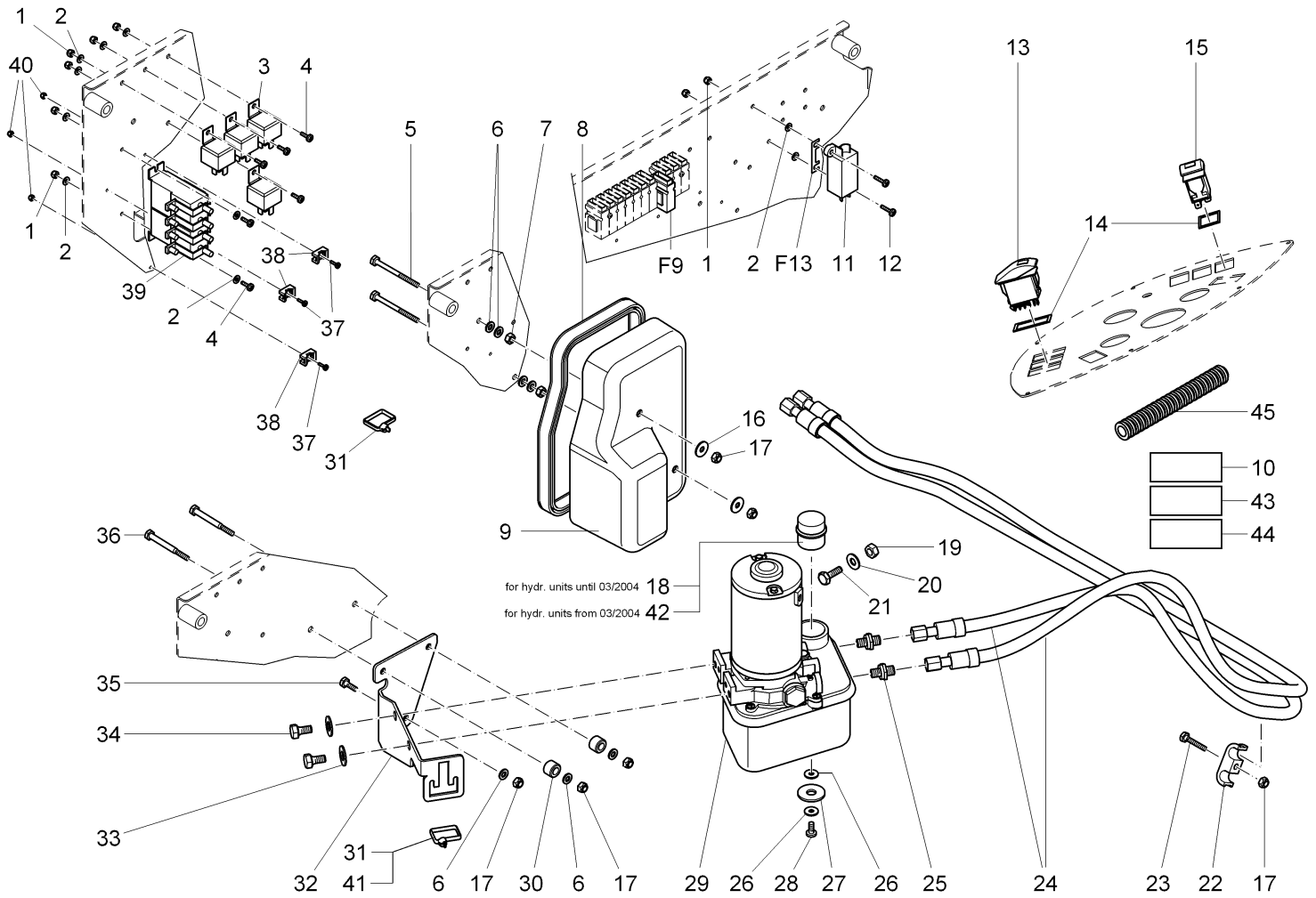
Electrical equipment EH (until 30. apr. 2008) (97081384 BIS 080430)



Electrical equipment EH (until 30. apr. 2008) (97081384 BIS 080430)

| Item | Part number | Description | Qty. | Remarks |
|------|-------------|---------------------------|-------|------------------------------|
| 1 | 00133830 | Hex. Nut | 8 | |
| 2 | 00053710 | Washer | 10 | |
| 3 | 00965030 | Relay | 4 | |
| 4 | 00052620 | Fillister-head screw | 6 | |
| 5 | 01132650 | Hexagon screw | 2 | |
| 6 | 00053730 | Washer | 5 | |
| 7 | 00053330 | Hexagon nut | 2 | |
| 8 | 01132640 | Edge protection | 640mm | |
| 9 | 01134440 | Cover J980 EH | 1 | |
| 10 | XXXXXXXX | no part-No. til yet | 1 | 97081178 Wiring harness W3 |
| 11 | 00903510 | Fuse holder | 1 | |
| 12 | 00731550 | Fillister-head screw | 2 | |
| 13 | 01134360 | switch | 1 | |
| 14 | 01132960 | Switch gasket | 2 | |
| 15 | 01134370 | switch | 1 | |
| 16 | 00135120 | Washer | 2 | |
| 17 | 00051520 | Hexagon nut | 4 | |
| 18 | 01134410 | oil tank cap | 1 | for hydr.units until 03/2004 |
| 19 | 00053350 | Hexagon nut | 1 | |
| 20 | 00740090 | Detent edged washer | 1 | |
| 21 | 00077110 | Hexagon screw | 1 | |
| 22 | 01073420 | Clamp | 1 | |
| 23 | 00053040 | Hex.bolt | 1 | |
| 24 | 01134460 | Hose | 2 | |
| 25 | 01134430 | Straight screw connection | 2 | |
| 26 | 00555520 | Washer | 2 | |
| 27 | 00046520 | Washer | 1 | |
| 28 | 00053960 | Tapping screw | 1 | |
| 29 | 01135070 | Hydraulic unit | 1 | |
| 30 | 00974400 | Bushing | 2 | |
| 31 | 00967760 | Cable tie | 2 | |
| 32 | 01134470 | Angle | 1 | |
| 33 | 00740290 | Detent edged washer | 2 | |
| 34 | 01134400 | hexagon screw | 2 | |
| 35 | 00053010 | Hex.bolt | 1 | |
| 36 | 00526500 | Hex.bolt | 2 | |

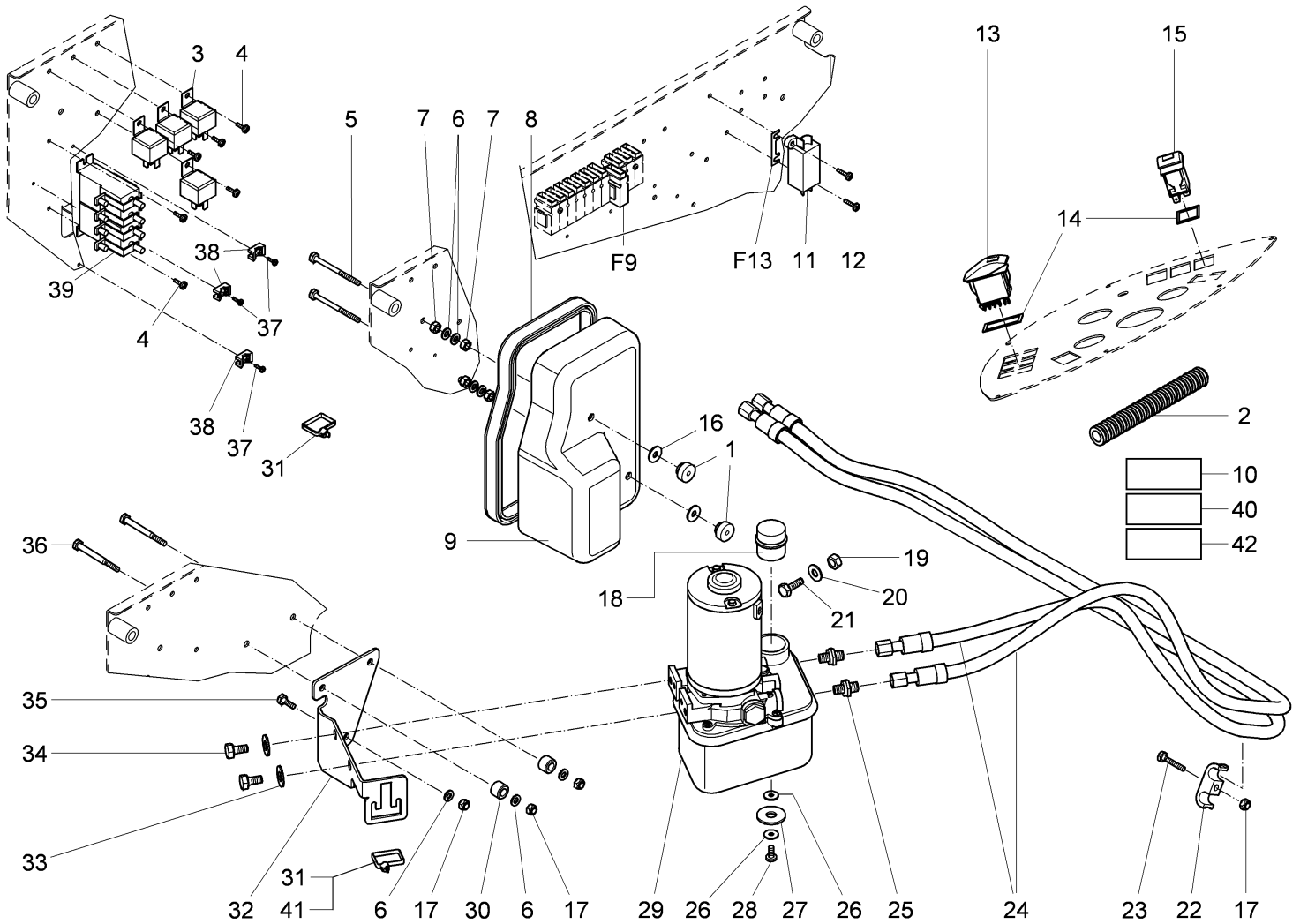
Electrical equipment EH (until 30. apr. 2008) (97081384 BIS 080430)



Electrical equipment EH (until 30. apr. 2008) (97081384 BIS 080430)

| Item | Part number | Description | Qty. | Remarks |
|------|-------------|----------------------|-------|-----------------------------|
| 37 | 00535780 | Fillister-head screw | 3 | |
| 38 | 00780710 | Socket | 3 | |
| 39 | 01134480 | Reversion contactor | 1 | |
| 40 | 00022200 | Hex. Nut | 3 | |
| 41 | 00121150 | Cable tie | 10 | |
| 42 | 01135610 | Oil tank cap | 1 | for hydr.units from 03/2004 |
| 43 | XXXXXXXX | no part-No. til yet | 1 | 97081343 Wiring harness W13 |
| 44 | XXXXXXXX | no part-No. til yet | 1 | 97081178 Wiring harness W17 |
| 45 | 01132610 | Wave tube | 300mm | |
| F9 | 00509550 | Fuse | 1 | Lifted-up disposal control |
| F13 | 01134450 | Fuse link | 1 | Hydraulic motor |

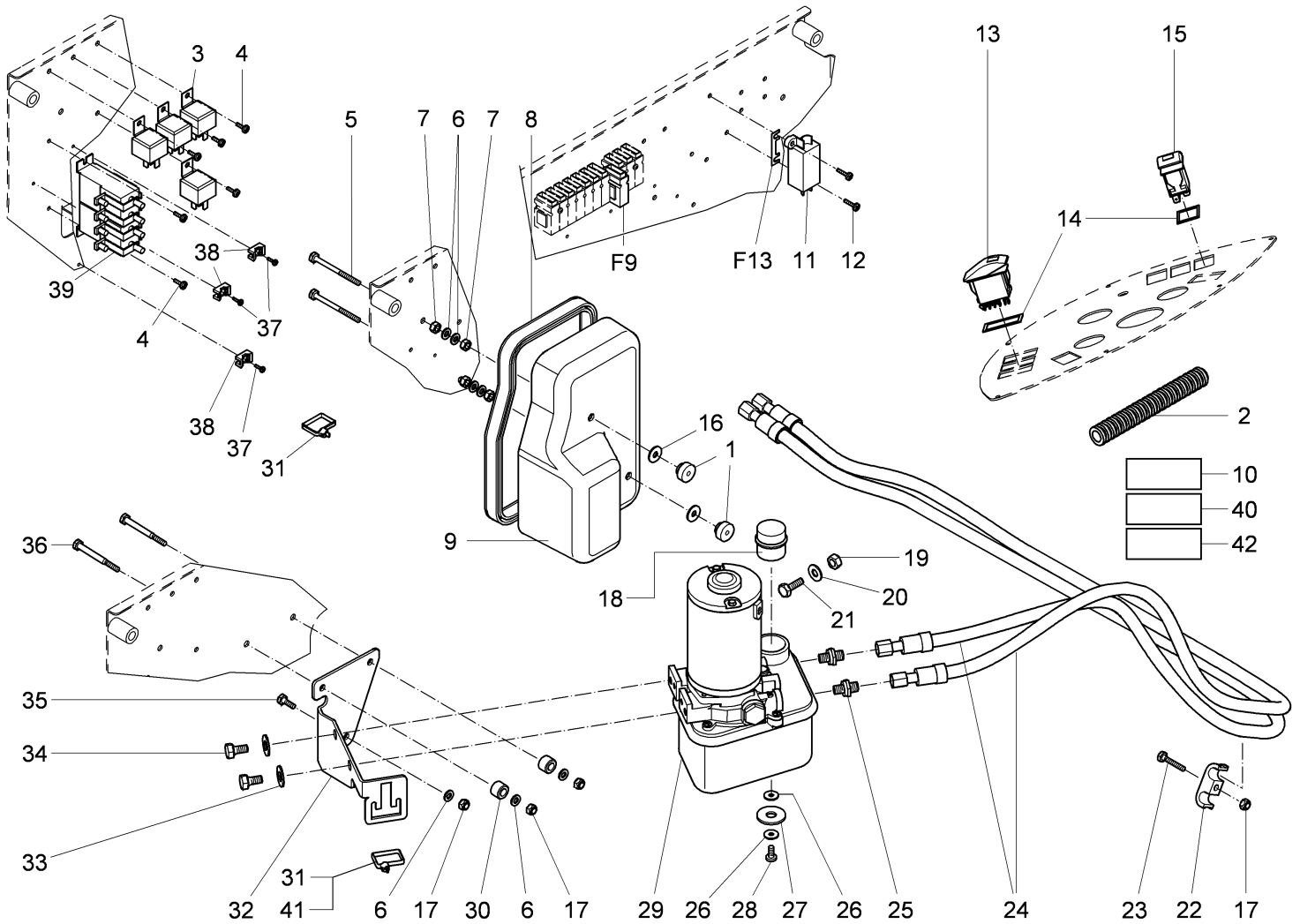
Electrical equipment EH (from 1. may 2008) (97081384 AB 080501)



Electrical equipment EH (from 1. may 2008) (97081384 AB 080501)

| Item | Part number | Description | Qty. | Remarks |
|------|-------------|---------------------------|-------|----------------------------|
| 1 | 00903210 | Knurled nut | 2 | |
| 2 | 01132610 | Wave tube | 300mm | |
| 3 | 00965030 | Relay | 4 | |
| 4 | 01112160 | Screw | 8 | |
| 5 | 01132650 | Hexagon screw | 2 | |
| 6 | 00053730 | Washer | 5 | |
| 7 | 00053330 | Hexagon nut | 2 | |
| 8 | 01132640 | Edge protection | 640mm | |
| 9 | 01134440 | Cover J980 EH | 1 | |
| 10 | XXXXXXXX | no part-No. til yet | 1 | 97081178 Wiring harness W3 |
| 11 | 00903510 | Fuse holder | 1 | |
| 12 | 00501420 | Screw | 2 | |
| 13 | 01134360 | switch | 1 | |
| 14 | 01132960 | Switch gasket | 2 | |
| 15 | 01134370 | switch | 1 | |
| 16 | 00135120 | Washer | 2 | |
| 17 | 00051520 | Hexagon nut | 2 | |
| 18 | 01135610 | Oil tank cap | 1 | |
| 19 | 00053350 | Hexagon nut | 1 | |
| 20 | 00740090 | Detent edged washer | 1 | |
| 21 | 00077110 | Hexagon screw | 1 | |
| 22 | 01073420 | Clamp | 1 | |
| 23 | 00053040 | Hex.bolt | 1 | |
| 24 | 01134460 | Hose | 2 | |
| 25 | 01134430 | Straight screw connection | 2 | |
| 26 | 00555520 | Washer | 2 | |
| 27 | 00046520 | Washer | 1 | |
| 28 | 00053960 | Tapping screw | 1 | |
| 29 | 01135070 | Hydraulic unit | 1 | |
| 30 | 00974400 | Bushing | 2 | |
| 31 | 00967760 | Cable tie | 2 | |
| 32 | 01134470 | Angle | 1 | |
| 33 | 00740290 | Detent edged washer | 2 | |
| 34 | 01134400 | hexagon screw | 2 | |
| 35 | 00053010 | Hex.bolt | 1 | |
| 36 | 00526500 | Hex.bolt | 2 | |

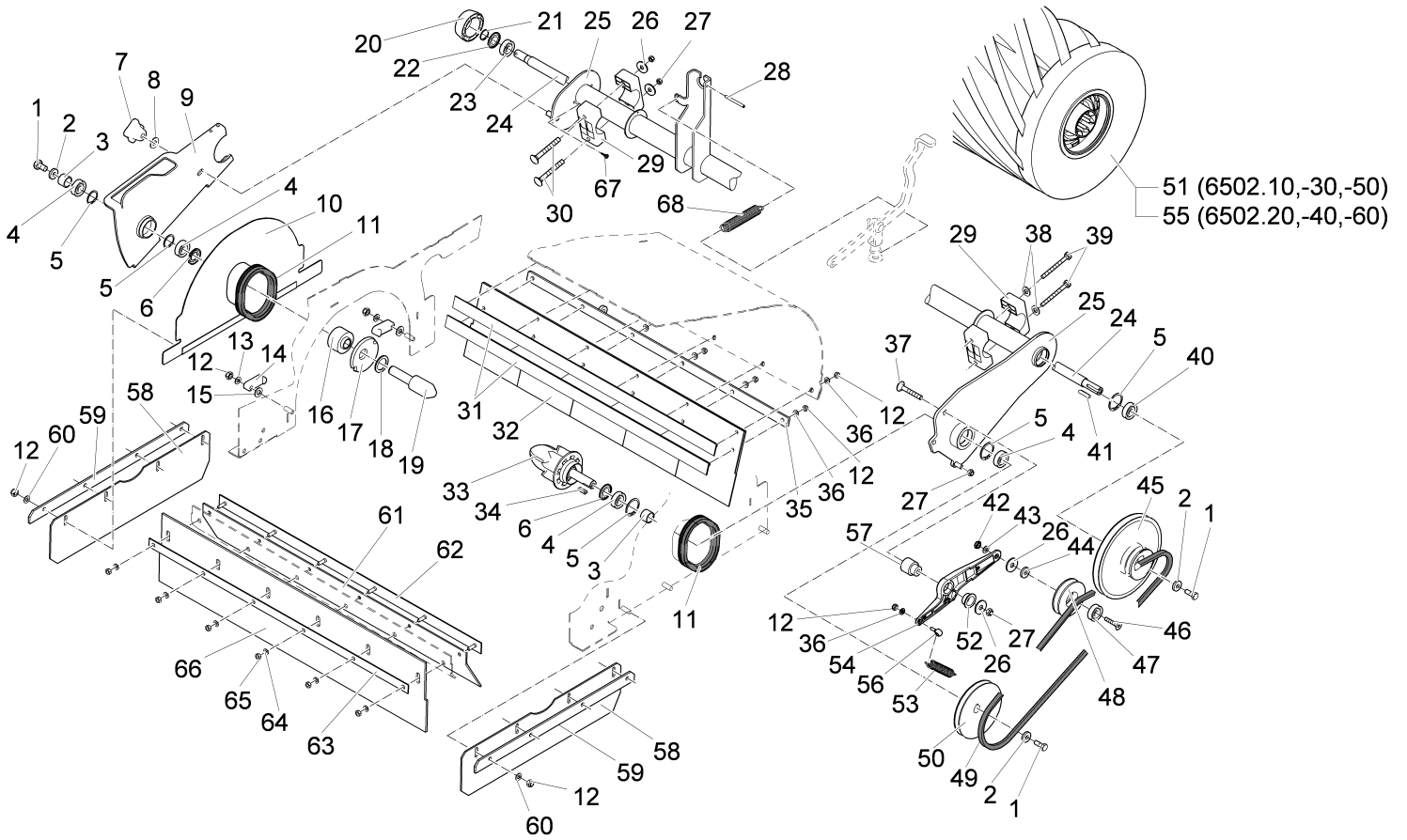
Electrical equipment EH (from 1. may 2008) (97081384 AB 080501)



Electrical equipment EH (from 1. may 2008) (97081384 AB 080501)

| Item | Part number | Description | Qty. | Remarks |
|------|-------------|---------------------|------|-----------------------------|
| 37 | 01110570 | Screw | 3 | |
| 38 | 00780710 | Socket | 3 | |
| 39 | 01134480 | Reversion contactor | 1 | |
| 40 | XXXXXXXX | no part-No. til yet | 1 | 97081343 Wiring harness W13 |
| 41 | 00121150 | Cable tie | 10 | |
| 42 | XXXXXXXX | no part-No. til yet | 1 | 97081178 Wiring harness W17 |
| F9 | 00509550 | Fuse | 1 | Lifted-up disposal control |
| F13 | 01134450 | Fuse link | 1 | Hydraulic motor |

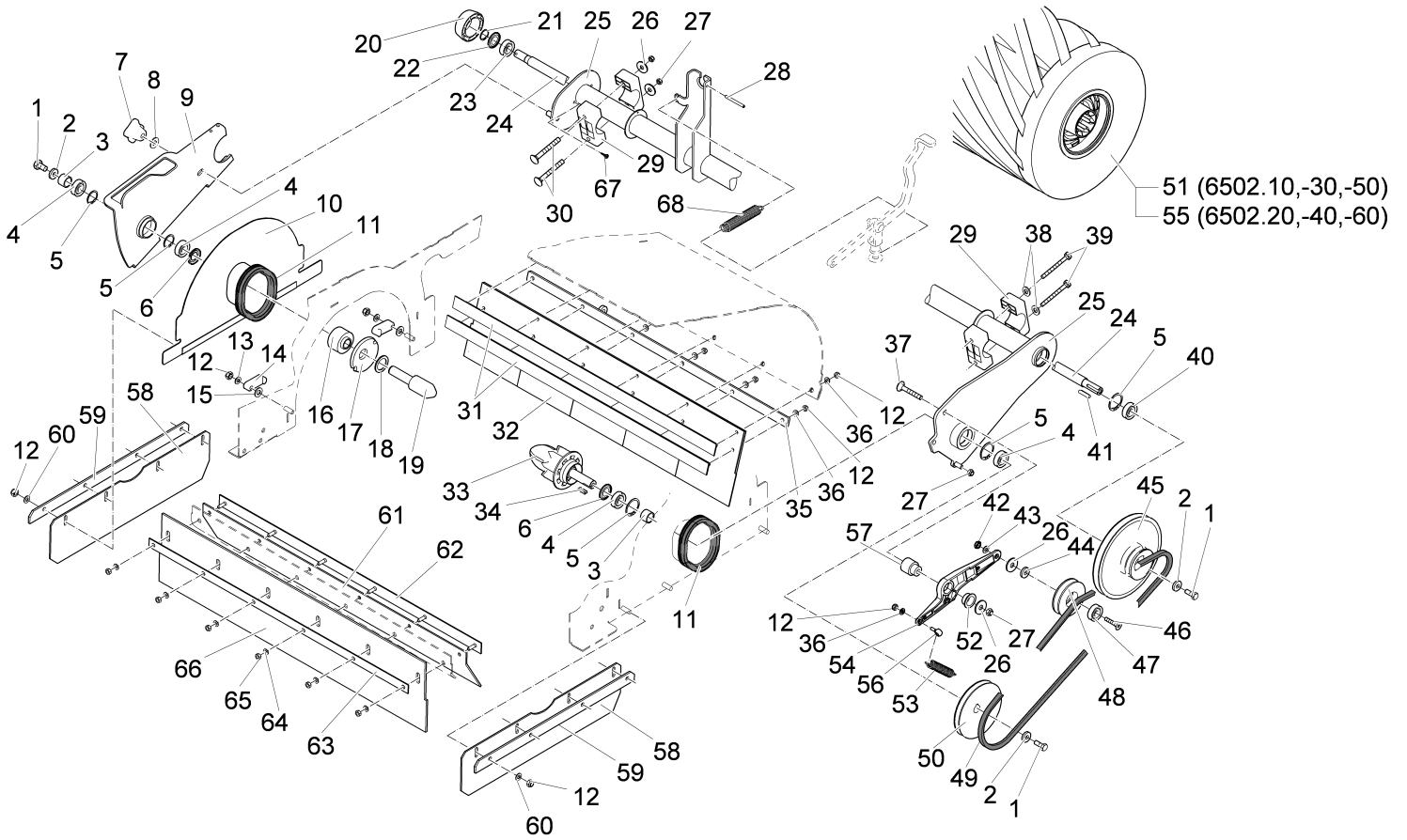
Group of main sweeper roller (97077192-1)



Group of main sweeper roller (97077192-1)

| Item | Part number | Description | Qty. | Remarks |
|------|-------------|---------------------------|-------|---------|
| 1 | 00053080 | Hexagon screw | 3 | |
| 2 | 00695300 | Washer | 3 | |
| 3 | 00509180 | sleeve | 2 | |
| 4 | 00106300 | Deep groove ball bearing | 4 | |
| 5 | 00101660 | Retaining ring | 5 | |
| 6 | 00102410 | Ring | 2 | |
| 7 | 01179360 | Star handle yellow | 1 | |
| 8 | 00740290 | Detent edged washer | 1 | |
| 9 | 01130830 | Brush rocker, L.H. | 1 | |
| 10 | 01130840 | Side shield | 1 | |
| 11 | 00681570 | Edge protection | 620mm | |
| 12 | 00051520 | Hexagon nut | 25 | |
| 13 | 00053840 | Spring washer | 2 | |
| 14 | 00968190 | Toggle | 2 | |
| 15 | 00053750 | Washer | 1 | |
| 16 | 01130850 | Gasket | 1 | |
| 17 | 01130860 | Flexible washer | 1 | |
| 18 | 00135560 | Supporting ring | 1 | |
| 19 | 01130870 | Carrier | 1 | |
| 20 | 01130880 | Centering brush | 1 | |
| 21 | 00022340 | Retaining ring | 1 | |
| 22 | 00104480 | Ring | 1 | |
| 23 | 00706360 | Deep groove ball bearing | 1 | |
| 24 | 01130890 | Shaft | 1 | |
| 25 | 03003310 | Torque shaft | 1 | |
| 26 | 00042900 | Washer | 4 | |
| 27 | 00051510 | Hexagon nut | 4 | |
| 28 | 00861020 | Dowel pin | 1 | |
| 29 | 01130610 | Bearing | 4 | |
| 30 | 01130900 | Cup head square neck bolt | 2 | |
| 31 | 01130910 | Sheet metal | 2 | |
| 32 | 01130800 | Brush apron, front | 1 | |
| 33 | 01130920 | Drag element | 1 | |
| 34 | 00054260 | Feather key | 1 | |
| 35 | 01130930 | Sheet metal | 1 | |
| 36 | 00053730 | Washer | 12 | |

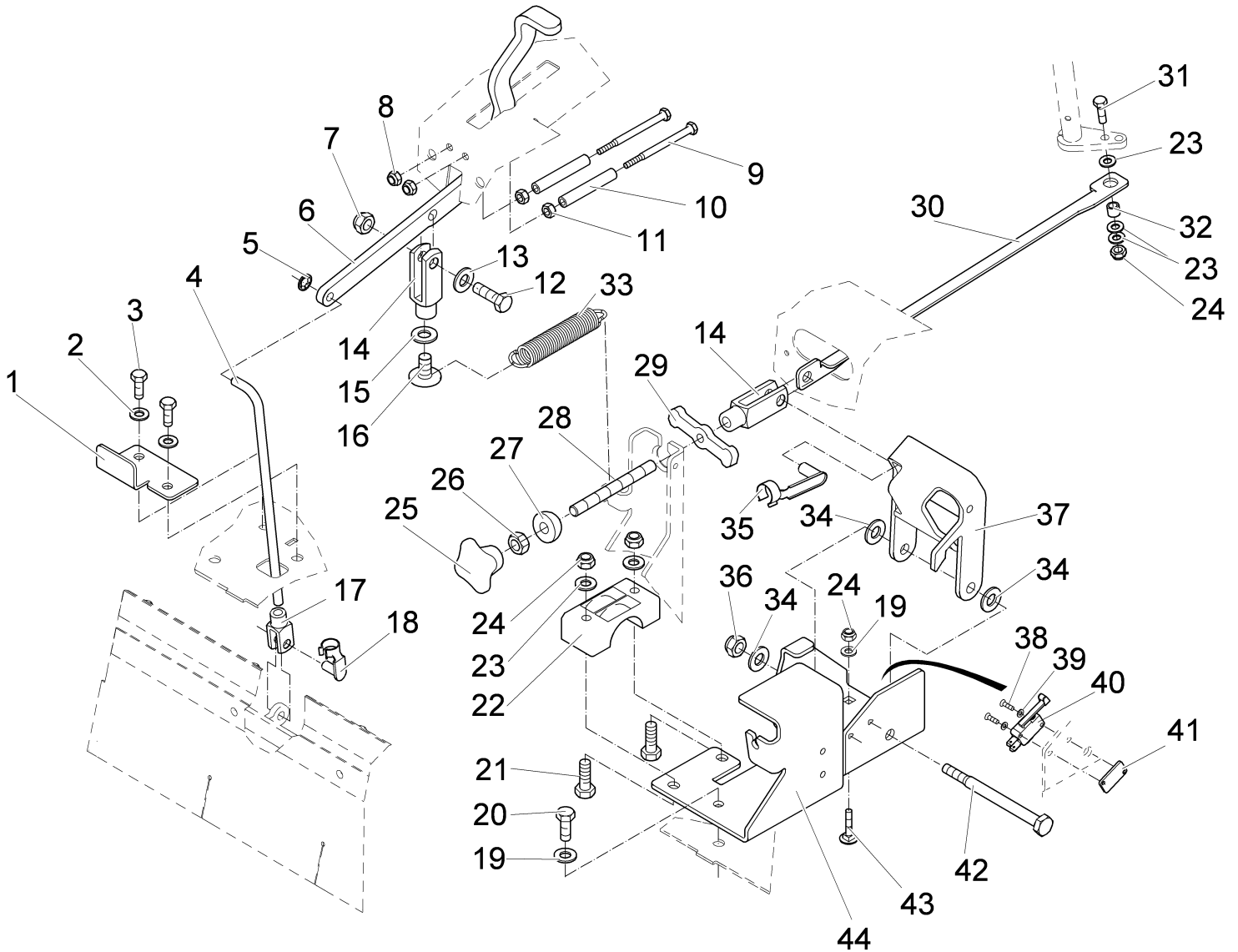
Group of main sweeper roller (97077192-1)



Group of main sweeper roller (97077192-1)

| Item | Part number | Description | Qty. | Remarks |
|------|-------------|---------------------------|------|---------------------|
| 37 | 01130940 | Cup head square neck bolt | 1 | |
| 38 | 00740080 | Washer | 2 | |
| 39 | 00557600 | Hex.bolt | 2 | |
| 40 | 00538360 | Deep groove ball bearing | 1 | |
| 41 | 00107380 | Feather key | 1 | |
| 42 | 00046500 | Hex. Nut | 1 | |
| 43 | 00740310 | Washer | 1 | |
| 44 | 01130950 | Bushing | 1 | |
| 45 | 01130960 | Drive belt pulley | 1 | |
| 46 | 00509000 | Countersunk screw | 1 | |
| 47 | 00126330 | Deep groove ball bearing | 1 | |
| 48 | 01130970 | Pulley | 1 | |
| 49 | 01130980 | Narrow drive belt | 1 | |
| 50 | 01130990 | Belt pulley | 1 | |
| 51 | 99651100 | Spare main broom PA | 1 | for 6502.10,-30,-50 |
| 52 | 01130470 | Slide bearing bush | 1 | |
| 53 | 01131000 | Pull spring | 1 | |
| 54 | 01113820 | Idler arm | 1 | |
| 55 | 99651000 | Spare main broom PES | 1 | for 6502.20,-40,-60 |
| 56 | 01111020 | Eye bolt | 1 | |
| 57 | 01131030 | Bolt | 1 | |
| 58 | 01130820 | Brush apron | 2 | |
| 59 | 01131050 | Strip | 2 | |
| 60 | 00053730 | Washer | 8 | |
| 61 | 01131040 | Brush apron, rear | 1 | |
| 62 | 01130910 | Sheet metal | 1 | |
| 63 | 00243450 | Fitting strip | 1 | |
| 64 | 00740280 | Washer | 6 | |
| 65 | 00053330 | Hexagon nut | 6 | |
| 66 | 01130810 | Brush apron, rear | 1 | |
| 67 | 00961490 | Self tapping screw | 2 | |
| 68 | 01135540 | Tension spring | 1 | |

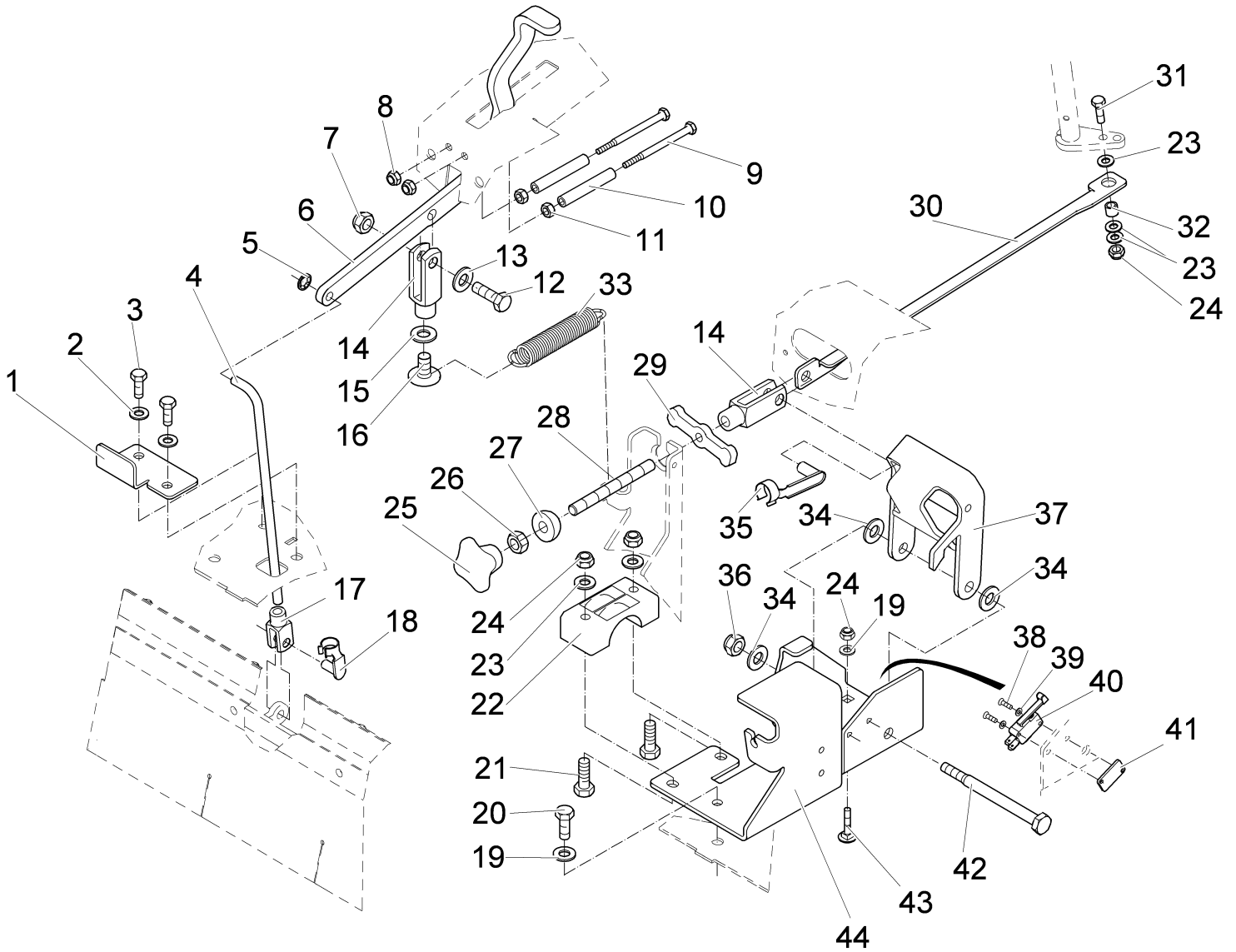
Manipulation for brush apron - Lifter for sweeping (97077192-2)



Manipulation for brush apron - Lifter for sweeping (97077192-2)

| Item | Part number | Description | Qty. | Remarks |
|------|-------------|---------------------|-------|---------|
| 1 | 01131320 | Stop angel | 1 | |
| 2 | 00740090 | Detent edged washer | 2 | |
| 3 | 00053080 | Hexagon screw | 2 | |
| 4 | 01131330 | Bar | 1 | |
| 5 | 00854420 | Thrust washer | 1 | |
| 6 | 01131340 | Pedal bar | 1 | |
| 7 | 00051500 | Hexagon nut | 1 | |
| 8 | 00051520 | Hexagon nut | 2 | |
| 9 | 00526320 | Hex.bolt | 2 | |
| 10 | 01064890 | Hose | 140mm | |
| 11 | 00053330 | Hexagon nut | 2 | |
| 12 | 00123690 | Hex.bolt | 1 | |
| 13 | 00130290 | Adjusting washer | 1 | |
| 14 | 00925430 | Fork yoke | 2 | |
| 15 | 00740290 | Detent edged washer | 1 | |
| 16 | 01131350 | Lens head screw | 1 | |
| 17 | 00151440 | Fork yoke | 1 | |
| 18 | 00151400 | Bolt | 1 | |
| 19 | 00740080 | Washer | 2 | |
| 20 | 00053090 | Hexagon screw | 1 | |
| 21 | 00041600 | Hex.bolt | 2 | |
| 22 | 01130610 | Bearing | 1 | |
| 23 | 00053750 | Washer | 5 | |
| 24 | 00051510 | Hexagon nut | 4 | |
| 25 | 01179360 | Star handle yellow | 1 | |
| 26 | 01050160 | Hex. Nut | 1 | |
| 27 | 01131360 | Tap | 1 | |
| 28 | 01131370 | Spindle | 1 | |
| 29 | 01131380 | Counterling latch | 1 | |
| 30 | 01131390 | Draw angel | 1 | |
| 31 | 00054690 | Hexagon screw | 1 | |
| 32 | 00733400 | Spacer sleeve | 1 | |
| 33 | 01135540 | Tension spring | 1 | |
| 34 | 00053760 | Washer | 4 | |
| 35 | 00925420 | Bolt | 1 | |
| 36 | 00132880 | Hexagon nut | 1 | |

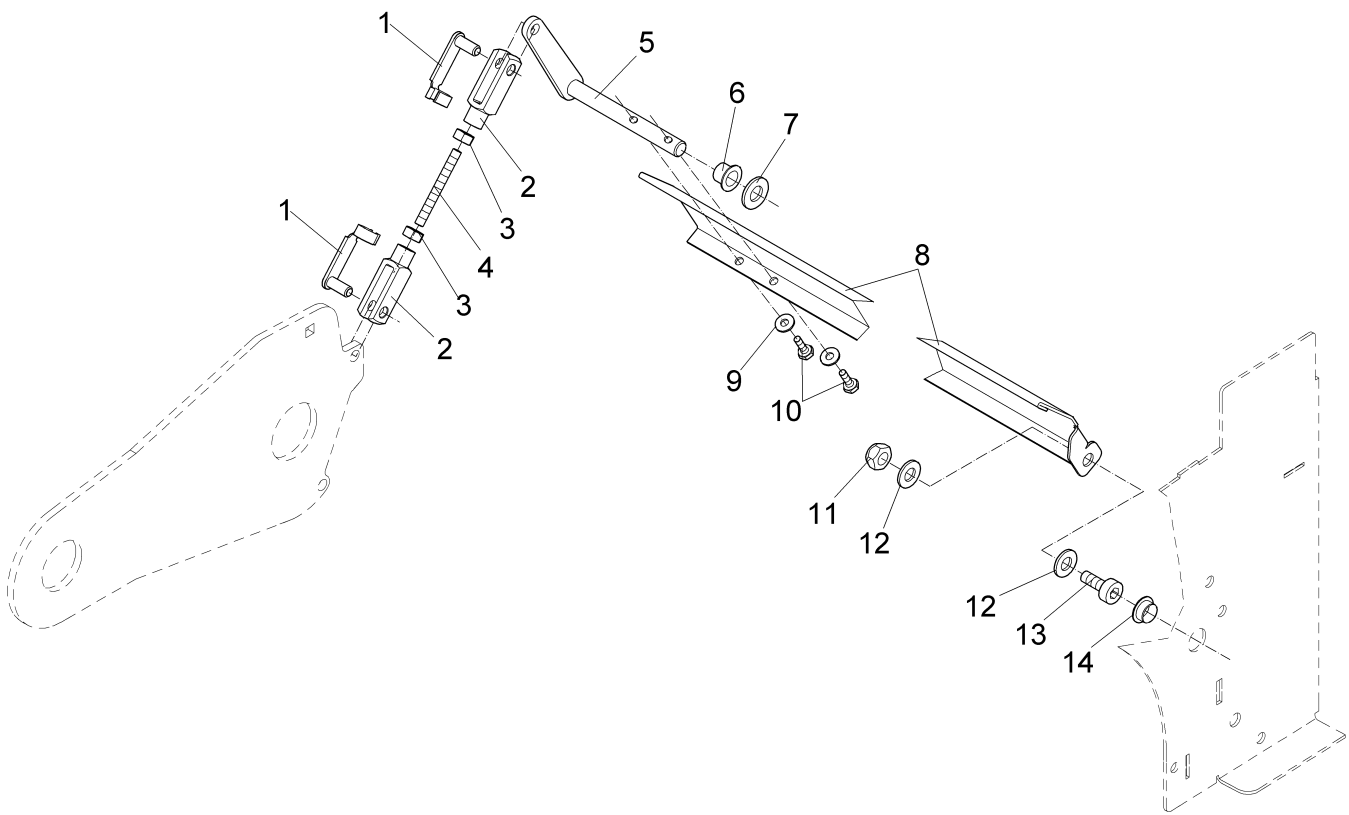
Manipulation for brush apron - Lifter for sweeping (97077192-2)



Manipulation for brush apron - Lifter for sweeping (97077192-2)

| Item | Part number | Description | Qty. | Remarks |
|------|-------------|----------------------|------|---------|
| 37 | 03003400 | Angel | 1 | |
| 38 | 00955220 | Fillister-head screw | 2 | |
| 39 | 00747400 | Washer | 2 | |
| 40 | 00975510 | Micro switch | 1 | |
| 41 | 01074840 | Thread base plate | 1 | |
| 42 | 00109460 | Hex.bolt | 1 | |
| 43 | 00878410 | Screw | 2 | |
| 44 | 03003410 | Retainer | 1 | |

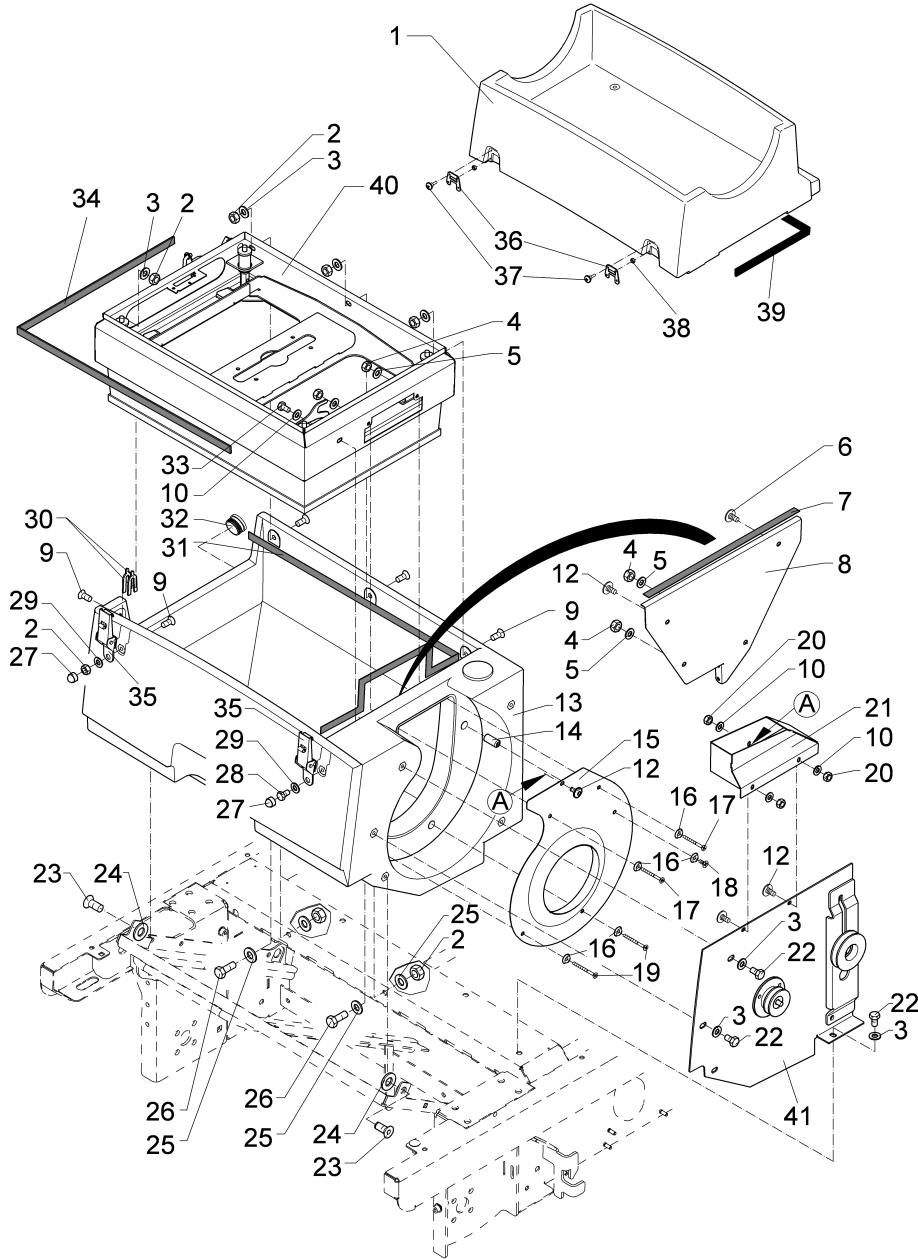
Broom wear compensation (97079263)



Broom wear compensation (97079263)

| Item | Part number | Description | Qty. | Remarks |
|------|-------------|---------------------|------|---------|
| 1 | 00706030 | Bolt | 2 | |
| 2 | 00027110 | Fork yoke | 2 | |
| 3 | 00053350 | Hexagon nut | 2 | |
| 4 | 00902600 | Threaded bolt | 1 | |
| 5 | 03004890 | lever | 1 | |
| 6 | 01071440 | Plain bearing bush | 1 | |
| 7 | 00053770 | Washer | 1 | |
| 8 | 03004900 | plate | 1 | |
| 9 | 00730940 | Detent edged washer | 2 | |
| 10 | 00053010 | Hex.bolt | 2 | |
| 11 | 00132880 | Hexagon nut | 1 | |
| 12 | 00053760 | Washer | 2 | |
| 13 | 00108590 | Socket head screw | 1 | |
| 14 | 01055290 | Plain bearing bush | 1 | |

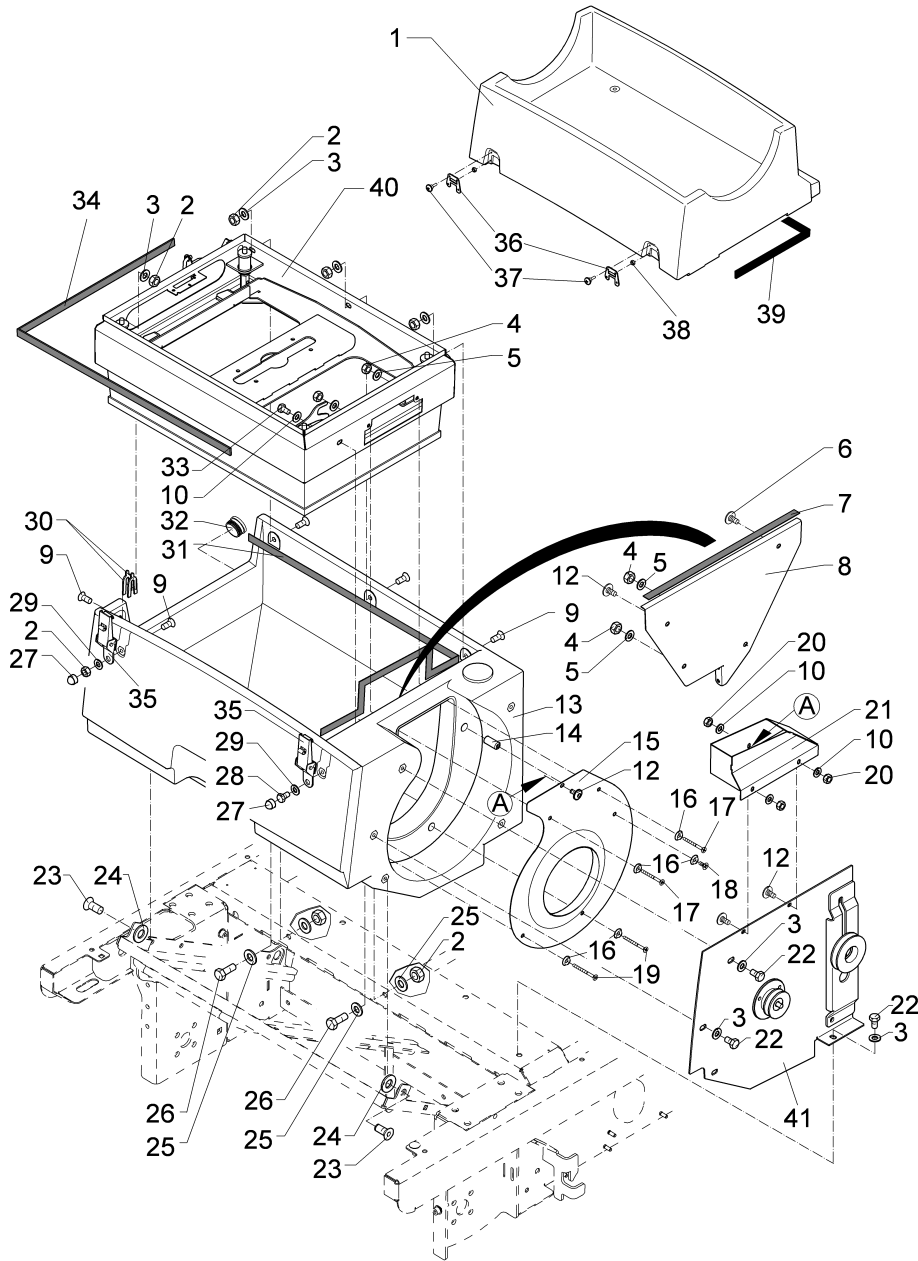
Dust extraction (97085963)



Dust extraction (97085963)

| Item | Part number | Description | Qty. | Remarks |
|------|-------------|----------------------------|--------|---------|
| 1 | 01133080 | Filter cover red | 1 | |
| 2 | 00053350 | Hexagon nut | 5 | |
| 3 | 00740090 | Detent edged washer | 9 | |
| 4 | 00053330 | Hexagon nut | 4 | |
| 5 | 00740280 | Washer | 4 | |
| 6 | 01092780 | Lens flange screw | 1 | |
| 7 | 00420290 | Gasket Tesamoll | 390mm | |
| 8 | 03003430 | Plate | 1 | |
| 9 | 00903480 | Countersunk screw | 5 | |
| 10 | 00730940 | Detent edged washer | 4 | |
| 12 | 01131450 | Filister head flange screw | 4 | |
| 13 | 03003440 | Housing | 1 | |
| 14 | 01131460 | Threaded bushing | 1 | |
| 15 | 01131470 | Nozzle | 1 | |
| 16 | 00157690 | Annular plate | 5 | |
| 17 | 00109500 | Countersunk screw | 2 | |
| 18 | 00871440 | Countersunk screw | 1 | |
| 19 | 00120130 | Countersunk screw | 2 | |
| 20 | 00135790 | Hexagon nut | 3 | |
| 21 | 01131480 | Air scoop | 1 | |
| 22 | 00864230 | Hex.bolt | 3 | |
| 23 | 00059080 | Countersunk screw | 2 | |
| 24 | 00070170 | Washer | 2 | |
| 25 | 00042900 | Washer | 2 | |
| 26 | 00133700 | Hexagon screw | 2 | |
| 27 | 00131610 | Lens cap | 2 | |
| 28 | 00151810 | Hexagon screw | 1 | |
| 29 | 00053750 | Washer | 2 | |
| 30 | 01131490 | Sheet metal | 2 | |
| 31 | 00420290 | Gasket Tesamoll | 1060mm | |
| 32 | 01131500 | Plug | 1 | |
| 33 | 00104500 | Hexagon screw | 1 | |
| 34 | 01130200 | Gasket | 940mm | |
| 35 | 01133090 | Catch | 2 | |
| 36 | 01133100 | Plate | 2 | |
| 37 | 00905520 | Screw | 8 | |

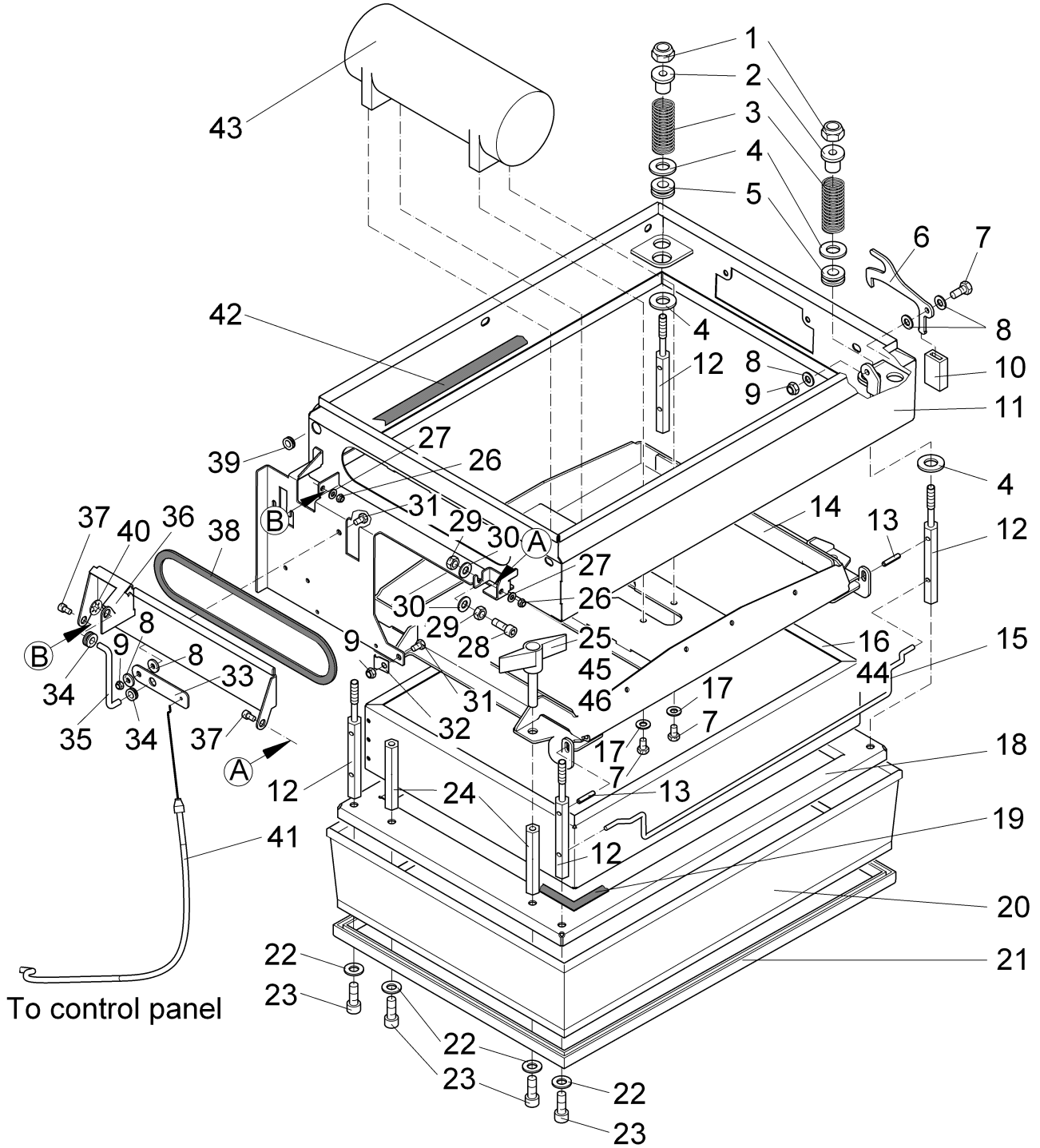
Dust extraction (97085963)



Dust extraction (97085963)

| Item | Part number | Description | Qty. | Remarks |
|------|-----------------------------------|----------------------------|-------------|-----------|
| 38 | 00053320 | Hex. Nut | 4 | |
| 39 | 00752350 | Edge protection | 1740mm | |
| 40 | 97076863 6502-20 | Filter installation | Page | 74 |
| 41 | 97088546 | Fan bearing | Page | 78 |

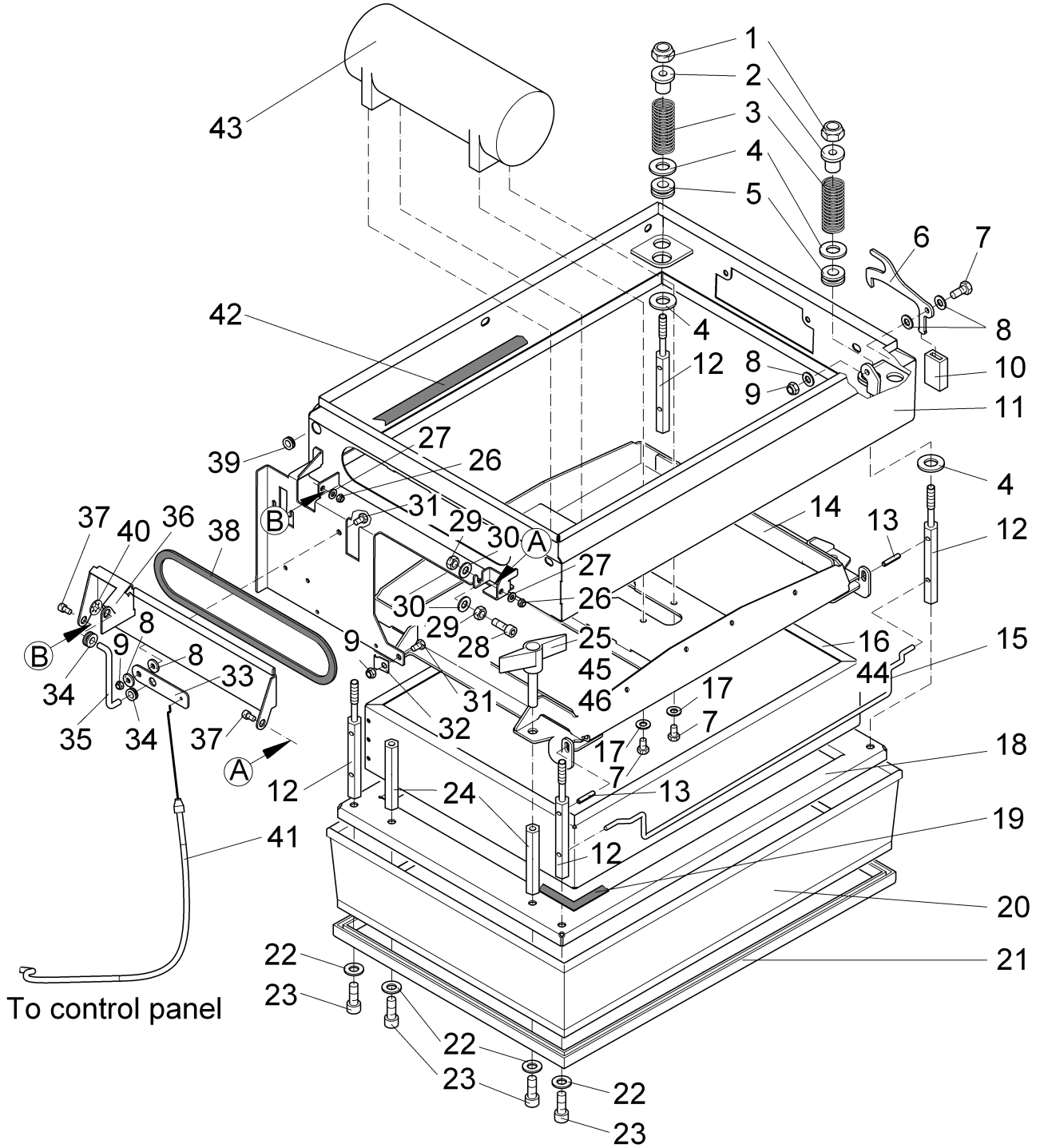
Filter installation (97076863 6502-20)



Filter installation (97076863 6502-20)

| Item | Part number | Description | Qty. | Remarks |
|------|-------------|------------------------|--------|---------|
| 1 | 00051510 | Hexagon nut | 4 | |
| 2 | 01131100 | Bolt | 4 | |
| 3 | 01074080 | Cyl.compression spring | 4 | |
| 4 | 00042900 | Washer | 8 | |
| 5 | 00027190 | Cable sleeve | 4 | |
| 6 | 01131110 | Sheet metal | 1 | |
| 7 | 00053020 | Hexagon screw | 5 | |
| 8 | 00135120 | Washer | 5 | |
| 9 | 00051520 | Hexagon nut | 3 | |
| 10 | 00451220 | Hose | 20mm | |
| 11 | 01131410 | Frame | 1 | |
| 12 | 01131120 | Hexagon | 4 | |
| 13 | 00045620 | Dowel pin | 2 | |
| 14 | 01131130 | Frame | 1 | |
| 15 | 01131140 | Handle | 1 | |
| 16 | 01130750 | Plate filter | 1 | |
| 17 | 00730940 | Detent edged washer | 4 | |
| 18 | 01131150 | U-panel | 1 | |
| 19 | 00420290 | Gasket Tesamoll | 1470mm | |
| 20 | 01131160 | Annular filter | 1 | |
| 21 | 00161240 | Edge protection | 1730mm | |
| 22 | 00740310 | Washer | 8 | |
| 23 | 00045540 | Cylinder head screw | 8 | |
| 24 | 01131170 | Hexagon | 4 | |
| 25 | 00905560 | Wing | 4 | |
| 26 | 01017660 | Hex. Nut | 2 | |
| 27 | 00958770 | Washer | 1 | |
| 28 | 00071450 | Socket head screw | 1 | |
| 29 | 00053350 | Hexagon nut | 2 | |
| 30 | 00053750 | Washer | 1 | |
| 31 | 00053010 | Hex.bolt | 2 | |
| 32 | 00534470 | Clamp | 1 | |
| 33 | 01131180 | Mounting link | 1 | |
| 34 | 01131190 | Grommet | 2 | |
| 35 | 01131200 | Push rod | 1 | |
| 36 | 01131210 | Air vent | 1 | |

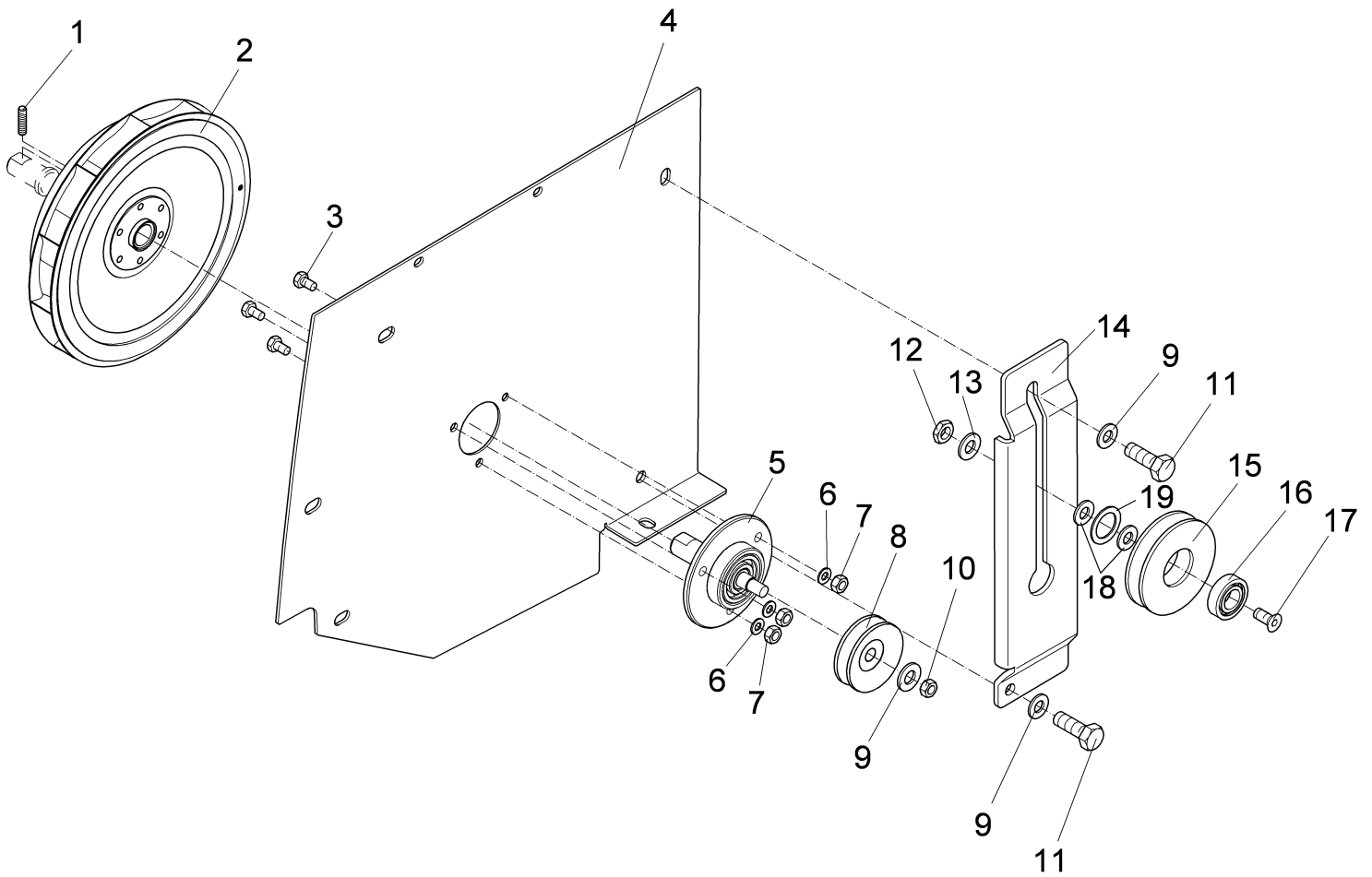
Filter installation (97076863 6502-20)



Filter installation (97076863 6502-20)

| Item | Part number | Description | Qty. | Remarks |
|-------------|--------------------|-----------------------|-------------|----------------|
| 37 | 01131440 | Socket head cap screw | 2 | |
| 38 | 01075290 | Gasket TESAMOLL | 610mm | |
| 39 | 00740360 | Cable sleeve | 1 | |
| 40 | 00023290 | Thrust washer | 1 | |
| 41 | 01131520 | Actuating cable | 1 | |
| 42 | 00830680 | Hose | 1810mm | |
| 43 | 01000890 | Vibration motor | 1 | |
| 44 | 01133000 | Special plate filter | 1 | |
| 45 | 01130170 | Bush | 4 | |
| 46 | 01133210 | Locknut | 4 | |

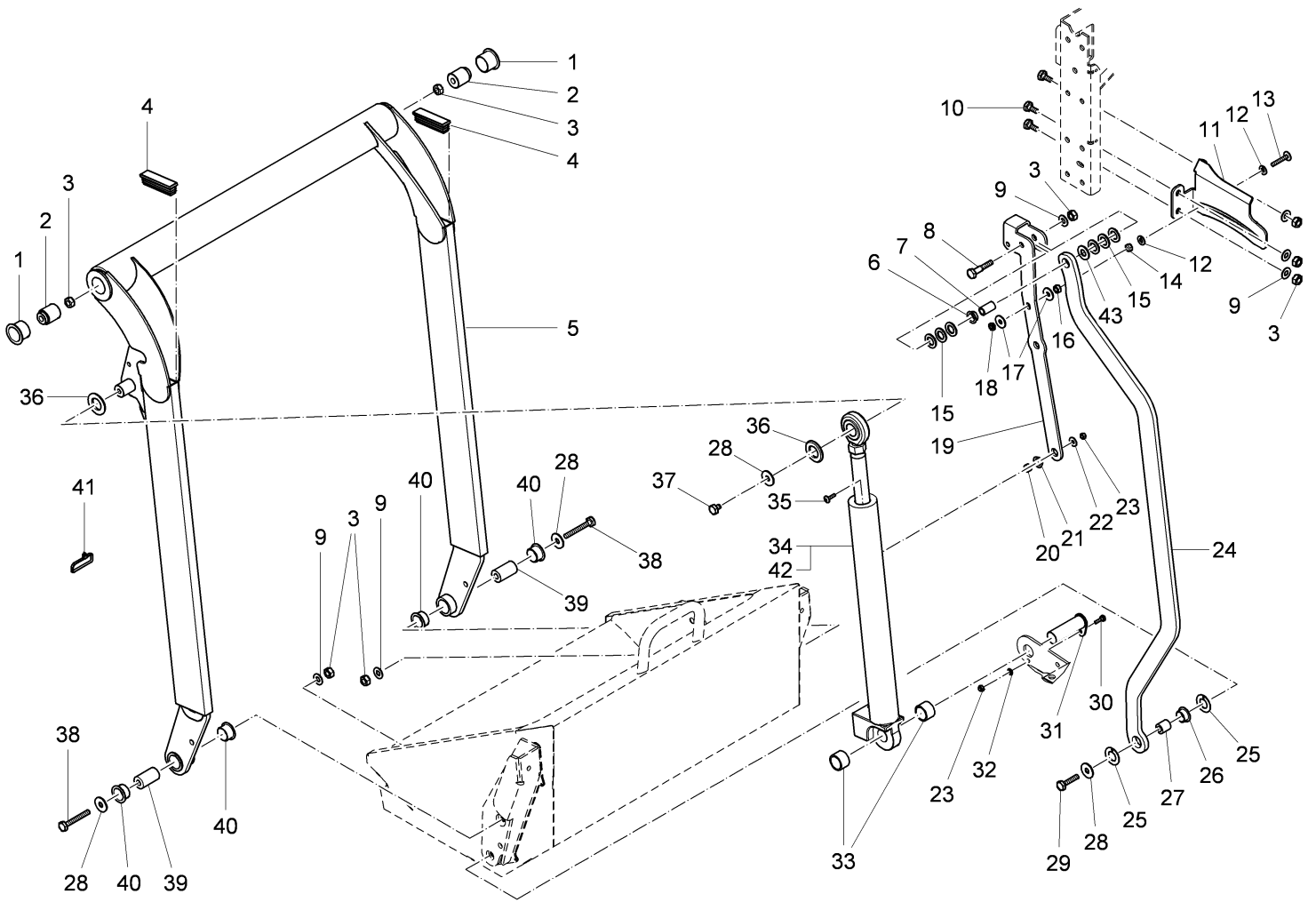
Fan bearing (97088546)



Fan bearing (97088546)

| Item | Part number | Description | Qty. | Remarks |
|------|-------------|--------------------------|------|-----------------|
| 1 | 00506780 | Threaded pin | 1 | |
| 2 | 01131220 | Rotating fan | 1 | |
| 3 | 00053010 | Hex.bolt | 3 | |
| 4 | 03003350 | Plate | 1 | |
| 5 | 01131230 | fan bearing | 1 | |
| 6 | 00740280 | Washer | 3 | |
| 7 | 00158350 | Hex. Nut | 3 | |
| 8 | 01110870 | Belt pulley | 1 | |
| 9 | 00740090 | Detent edged washer | 3 | |
| 10 | 00022330 | Hex. Nut | 1 | |
| 11 | 00553690 | Hex.bolt | 2 | |
| 12 | 00074710 | Hex. Nut | 2 | |
| 13 | 00740290 | Detent edged washer | 1 | |
| 14 | 01131270 | Sheet metal | 1 | |
| 15 | XXXXXXXX | no part-No. til yet | 1 | 90467481 Pulley |
| 16 | 00126330 | Deep groove ball bearing | 1 | |
| 17 | 00021800 | Countersunk screw | 1 | |
| 18 | 00053760 | Washer | 2 | |
| 19 | 00130290 | Adjusting washer | 1 | |

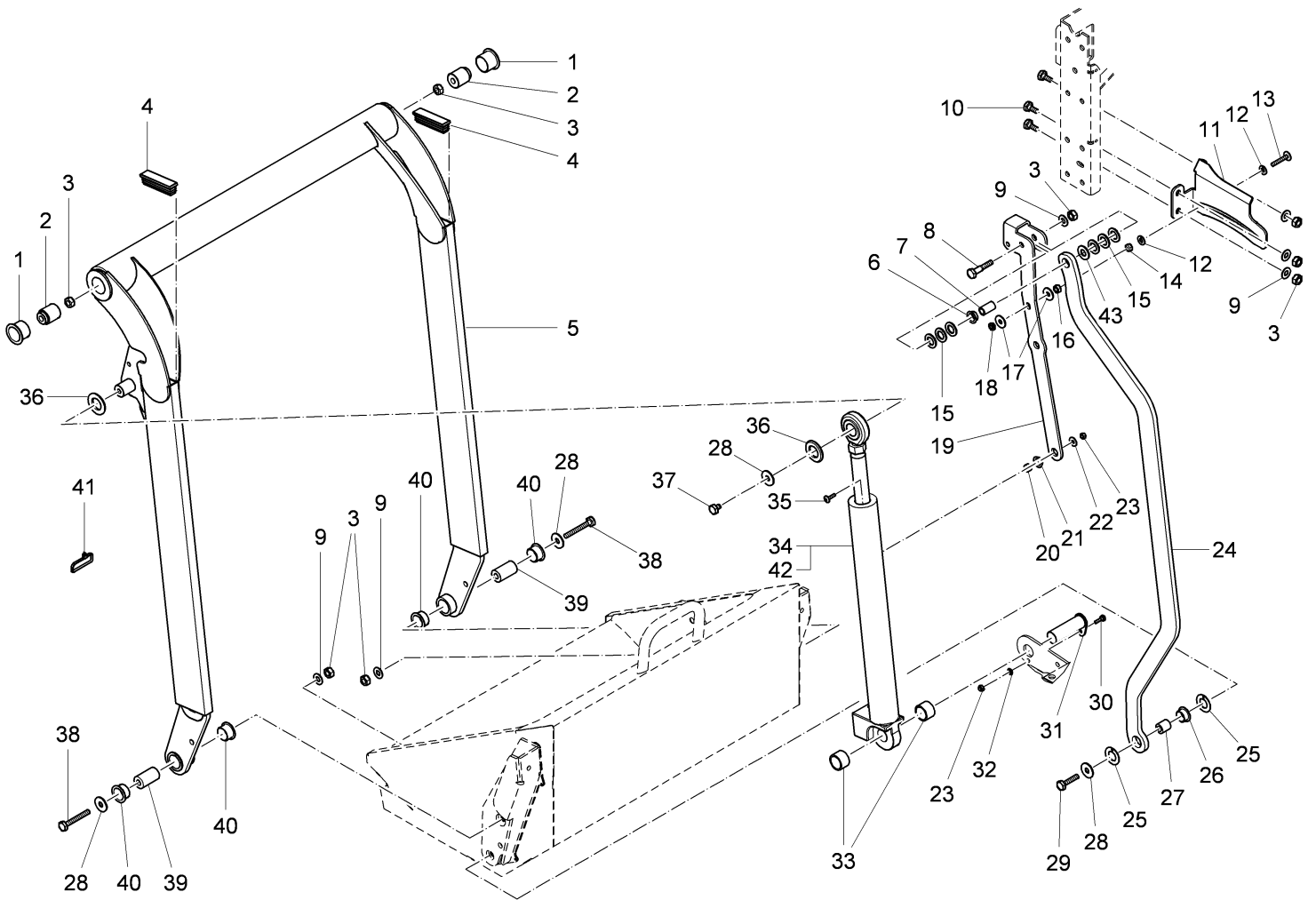
High-lift dumping assy (Part 1) (97077283-1)



High-lift dumping assy (Part 1) (97077283-1)

| Item | Part number | Description | Qty. | Remarks |
|------|-------------|----------------------------|------|---------------|
| 1 | 01134680 | Plain bearing bush | 2 | |
| 2 | 01134690 | Bushing | 2 | |
| 3 | 00053360 | Hexagon nut | 13 | |
| 4 | 01134700 | Sealing plug | 2 | |
| 5 | 03006070 | Bracket | 1 | |
| 6 | 01055290 | Plain bearing bush | 1 | |
| 7 | 01134710 | Bushing | 1 | |
| 8 | 00133450 | Hex.bolt | 1 | |
| 9 | 00740290 | Detent edged washer | 11 | |
| 10 | 00021130 | Hex.bolt | 5 | |
| 11 | 01134720 | Support | 1 | |
| 12 | 01134730 | Approach disk | 2 | |
| 13 | 01134740 | Filister head flange screw | 1 | |
| 14 | 00051510 | Hexagon nut | 1 | |
| 15 | 00127290 | Washer | 6 | |
| 16 | 00053350 | Hexagon nut | 2 | |
| 17 | 00042900 | Washer | 2 | |
| 18 | 00046500 | Hex. Nut | 1 | |
| 19 | 01134750 | Plate | 1 | |
| 20 | 01134510 | Bushing | 1 | |
| 21 | 01130080 | Slide bearing bush | 1 | |
| 22 | 00135120 | Washer | 2 | |
| 23 | 00051520 | Hexagon nut | 2 | |
| 24 | 01134760 | Plate | 1 | |
| 25 | 01133780 | Starting disk | 2 | |
| 26 | 01130470 | Slide bearing bush | 1 | |
| 27 | 01134770 | Bushing | 1 | |
| 28 | 00046520 | Washer | 5 | |
| 29 | 00053170 | Hexagon screw | 1 | |
| 30 | 00154210 | Hex.bolt | 1 | |
| 31 | XXXXXXXX | no part-No. til yet | 1 | 96103940 Bolt |
| 32 | 00053730 | Washer | 1 | |
| 33 | 01134780 | Pipe | 2 | |
| 34 | 00392250 | Hydraulic cylinder | 1 | |
| 35 | 01092780 | Lens flange screw | 1 | |
| 36 | 00743290 | Washer | 2 | |

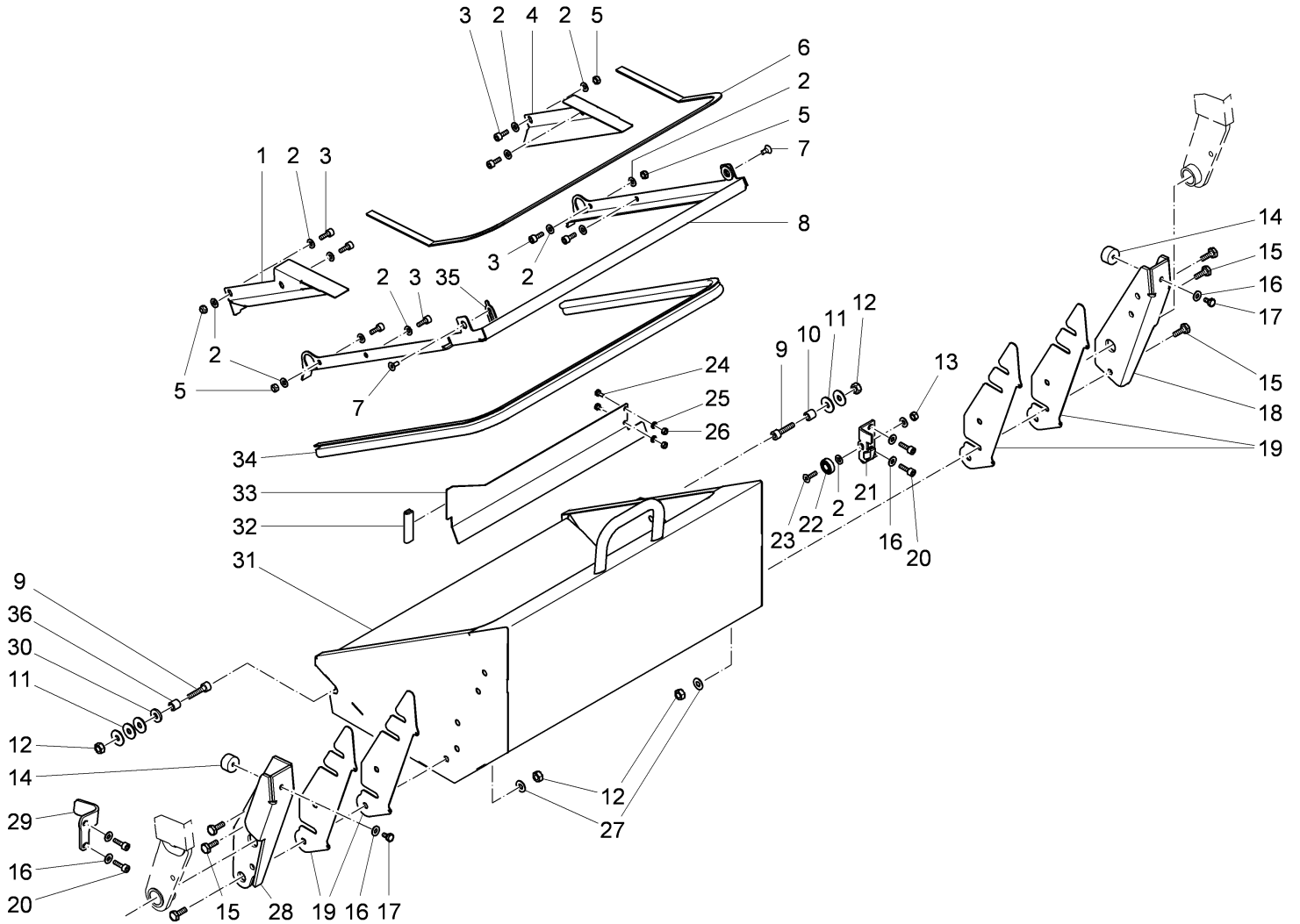
High-lift dumping assy (Part 1) (97077283-1)



High-lift dumping assy (Part 1) (97077283-1)

| Item | Part number | Description | Qty. | Remarks |
|------|-------------|---------------------|------|------------------------|
| 37 | 00550090 | Hex.bolt | 1 | |
| 38 | 00051550 | Hex.bolt | 2 | |
| 39 | 01134790 | Bushing | 2 | |
| 40 | 00740200 | Plain bearing bush | 4 | |
| 41 | 00967760 | Cable tie | 1 | |
| 42 | 01075300 | Sealing kit | 1 | |
| 43 | XXXXXXXX | no part-No. til yet | 1 | 14898050 Approach disk |

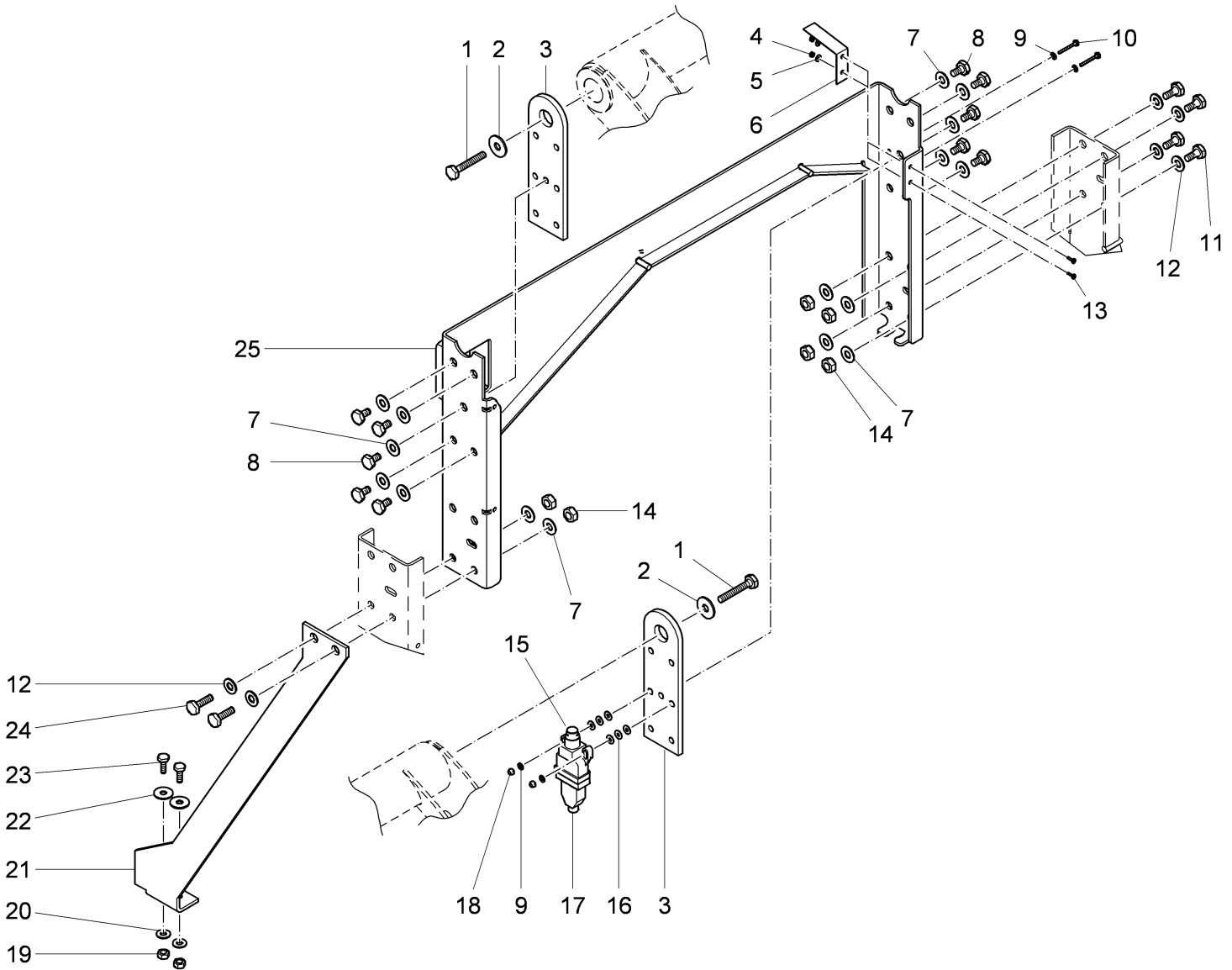
High-lift dumping assy (Part 2) (97077283-2)



High-lift dumping assy (Part 2) (97077283-2)

| Item | Part number | Description | Qty. | Remarks |
|------|-------------|--------------------------|--------|------------------|
| 1 | 01130300 | Sheet metal L.H. | 1 | |
| 2 | 00053750 | Washer | 13 | |
| 3 | 00045540 | Cylinder head screw | 8 | |
| 4 | 01130310 | Sheet metal, R.H. | 1 | |
| 5 | 00051510 | Hexagon nut | 6 | |
| 6 | 01130200 | Gasket | 1240mm | |
| 7 | 00705440 | Countersunk screw | 2 | |
| 8 | 01134590 | sealing plate | 1 | |
| 9 | 00045010 | Cylinder head screw | 2 | |
| 10 | 01134600 | bushing | 1 | |
| 11 | 00046520 | Washer | 5 | |
| 12 | 00053360 | Hexagon nut | 4 | |
| 13 | 00053350 | Hexagon nut | 1 | |
| 14 | 00733560 | Bumper | 2 | |
| 15 | 00053310 | Hexagon screw | 6 | |
| 16 | 00740090 | Detent edged washer | 7 | |
| 17 | 00536320 | Hex.bolt | 2 | |
| 18 | 01134610 | Sheet metal | 1 | |
| 19 | 01134620 | Sheet metal | 1 | |
| 20 | 00103300 | Socket head screw | 4 | |
| 21 | 01134630 | sheet metal | 1 | |
| 22 | 00124830 | Deep groove ball bearing | 1 | |
| 23 | 00101500 | Countersunk screw | 1 | |
| 24 | 00104500 | Hexagon screw | 2 | |
| 25 | 00740280 | Washer | 2 | |
| 26 | 00053330 | Hexagon nut | 2 | |
| 27 | 00740290 | Detent edged washer | 2 | |
| 28 | 01134640 | Sheet metal | 1 | |
| 29 | 01134650 | Sheet metal | 1 | |
| 30 | 00855380 | Washer | 1 | |
| 31 | 01134660 | dirt container | 1 | |
| 32 | 00161240 | Edge protection | 70mm | |
| 33 | 01134670 | sheet metal | 1 | |
| 34 | 00750430 | Edge protection | 1600mm | |
| 35 | 01131490 | Sheet metal | 1 | |
| 36 | XXXXXXXX | no part-No. til yet | 1 | 90483603 Bushing |

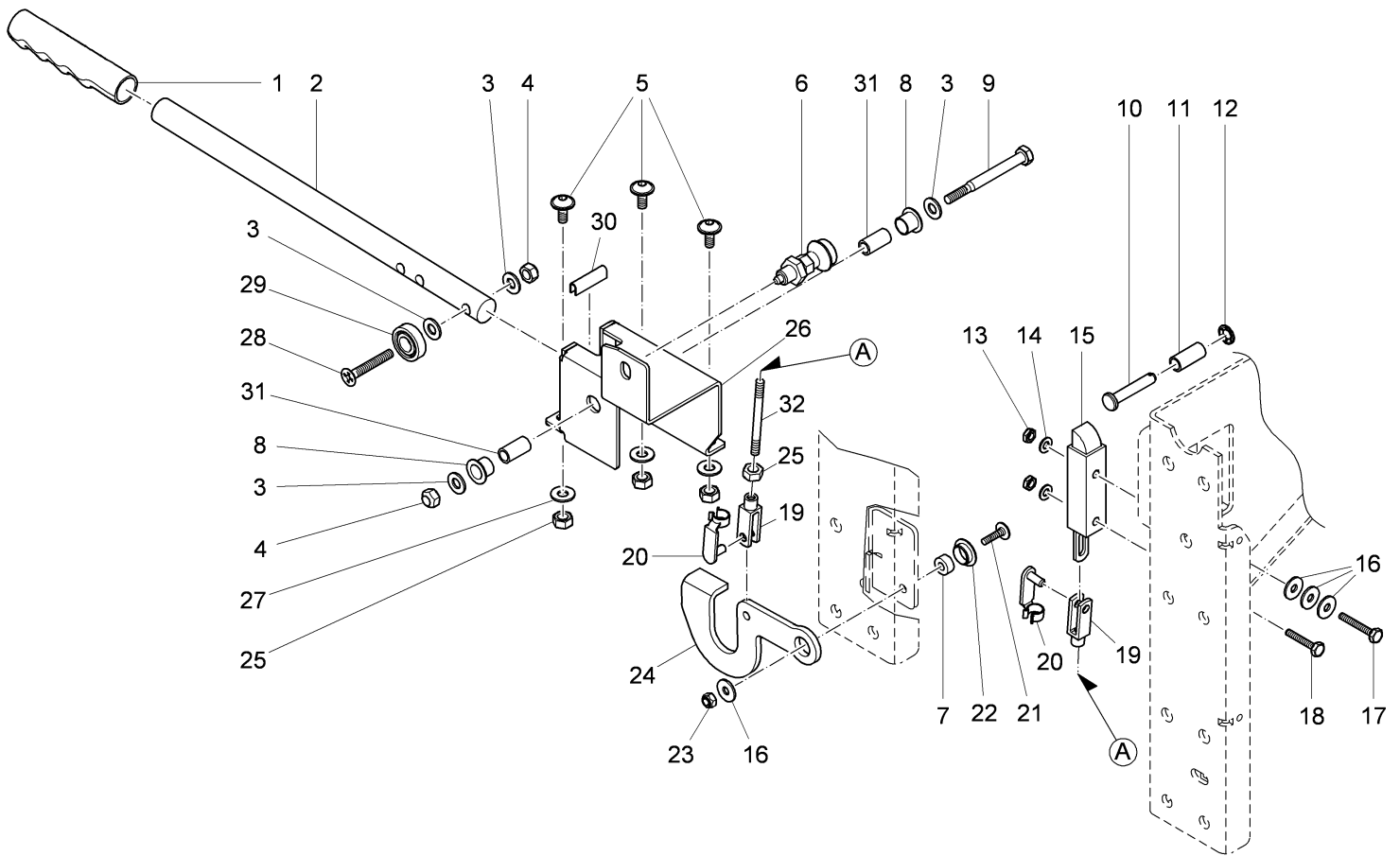
High-lift dumping assy (Part 3) (97077283-3)



High-lift dumping assy (Part 3) (97077283-3)

| Item | Part number | Description | Qty. | Remarks |
|------|-------------|----------------------|------|---------|
| 1 | 00107100 | Hex.bolt | 2 | |
| 2 | 00046520 | Washer | 2 | |
| 3 | 01134560 | retainer | 2 | |
| 4 | 00073270 | Hex. Nut | 2 | |
| 5 | 00747400 | Washer | 2 | |
| 6 | 01134570 | flat spring | 1 | |
| 7 | 00740290 | Detent edged washer | 18 | |
| 8 | 00055460 | Hex.bolt | 10 | |
| 9 | 00053710 | Washer | 4 | |
| 10 | 00900590 | Hex.bolt | 2 | |
| 11 | 00021130 | Hex.bolt | 4 | |
| 12 | 00053760 | Washer | 9 | |
| 13 | 00535780 | Fillister-head screw | 2 | |
| 14 | 00053360 | Hexagon nut | 8 | |
| 15 | 00927610 | Switch | 1 | |
| 16 | 00557150 | Washer | 6 | |
| 17 | 00927630 | Cap | 1 | |
| 18 | 00133830 | Hex. Nut | 2 | |
| 19 | 00053350 | Hexagon nut | 2 | |
| 20 | 00740090 | Detent edged washer | 2 | |
| 21 | 01134580 | sheet metal | 1 | |
| 22 | 00042900 | Washer | 2 | |
| 23 | 00053090 | Hexagon screw | 2 | |
| 24 | 00053160 | Hexagon screw | 2 | |
| 25 | 03006060 | support | 1 | |

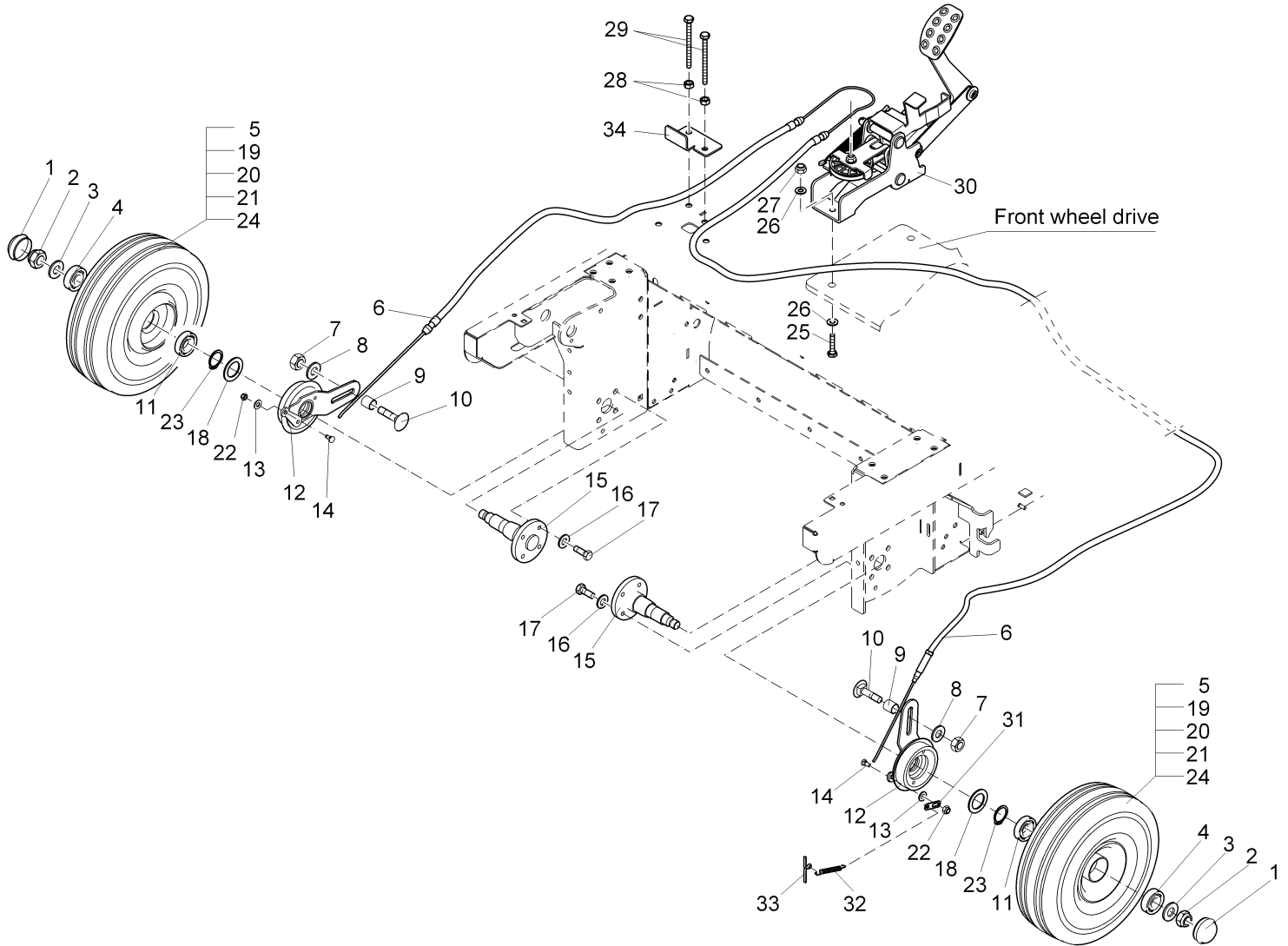
High-lift dumping assy (Part 4) (97077283-4)



High-lift dumping assy (Part 4) (97077283-4)

| Item | Part number | Description | Qty. | Remarks |
|------|-------------|--------------------------|------|------------------------|
| 1 | 00552970 | Handle | 1 | |
| 2 | 01134490 | lever | 1 | |
| 3 | 00053750 | Washer | 4 | |
| 4 | 00051510 | Hexagon nut | 2 | |
| 5 | 01006820 | Lens flange screw | 2 | |
| 6 | 01134500 | locking bolt | 1 | |
| 7 | 01134510 | Bushing | 1 | |
| 8 | 01071440 | Plain bearing bush | 2 | |
| 9 | 00534440 | Hex.bolt | 1 | |
| 10 | 00706200 | Bolt | 1 | |
| 11 | 01134520 | pipe | 1 | |
| 12 | 00854420 | Thrust washer | 1 | |
| 13 | 00135790 | Hexagon nut | 2 | |
| 14 | 00740280 | Washer | 2 | |
| 15 | 01070220 | Spring lock | 1 | |
| 16 | 00135120 | Washer | 3 | |
| 17 | 00053290 | Hexagon screw | 1 | |
| 18 | 00053040 | Hex.bolt | 1 | |
| 19 | 00851570 | Fork yoke | 2 | |
| 20 | 00851590 | Bolt | 2 | |
| 21 | 01092780 | Lens flange screw | 1 | |
| 22 | 01130080 | Slide bearing bush | 1 | |
| 23 | 00051520 | Hexagon nut | 1 | |
| 24 | 01134530 | sheet metal | 1 | |
| 25 | 00053350 | Hexagon nut | 3 | |
| 26 | 01134540 | Retainer | 1 | |
| 27 | 00740090 | Detent edged washer | 3 | |
| 28 | 01134550 | Countersunk screw | 1 | |
| 29 | 00124830 | Deep groove ball bearing | 1 | |
| 30 | 00721090 | Edge protection | 40mm | |
| 31 | XXXXXXXX | no part-No. til yet | 2 | 90468034 Bushing |
| 32 | XXXXXXXX | no part-No. til yet | 1 | 11350394 Threaded bolt |

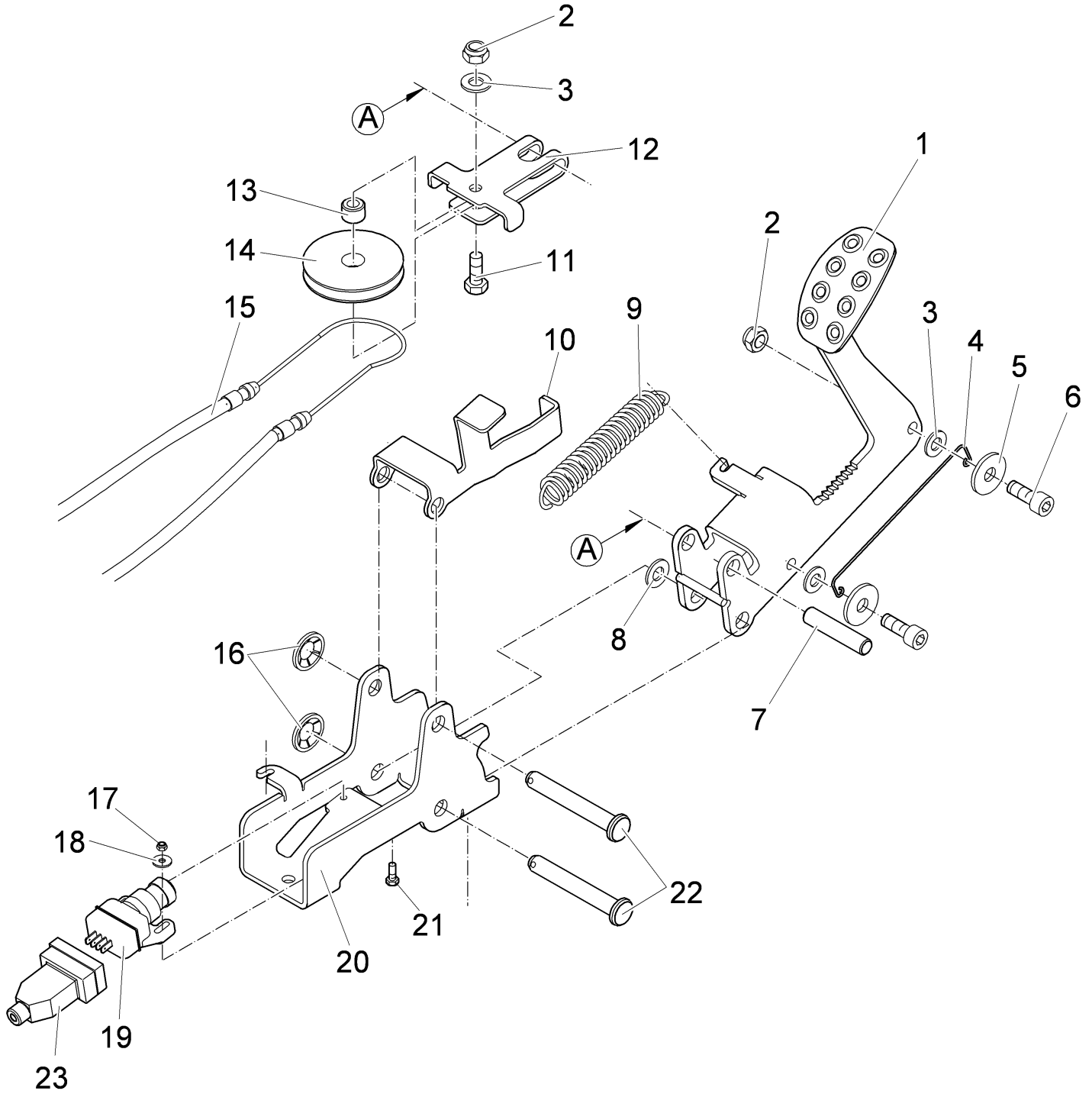
Rear wheel (massive) - Brake - Brake pedal (97081491)



Rear wheel (massive) - Brake - Brake pedal (97081491)

| Item | Part number | Description | Qty. | Remarks |
|------|-------------------------|---------------------------|-------------|-----------|
| 1 | 01131060 | Cap | 2 | |
| 2 | 00135350 | Hexagon nut | 2 | |
| 3 | 00053790 | Washer | 2 | |
| 4 | 00706370 | Deep groove ball bearing | 2 | |
| 5 | 01133030 | Tyre | 2 | |
| 6 | 01130350 | Bowden cable for brake | 1 | |
| 7 | 00074710 | Hex. Nut | 2 | |
| 8 | 00053760 | Washer | 2 | |
| 9 | 01130780 | Bush | 2 | |
| 10 | 01130790 | Cup head square neck bolt | 2 | |
| 11 | 00281050 | Deep groove ball bearing | 2 | |
| 12 | 01131080 | Brake | 2 | |
| 13 | 00053730 | Washer | 2 | |
| 14 | 01133970 | clamping screw | 2 | |
| 15 | 01131090 | Axle with flange | 2 | |
| 16 | 00740290 | Detent edged washer | 8 | |
| 17 | 00021130 | Hex.bolt | 8 | |
| 18 | 01133960 | washer | 2 | |
| 19 | 01132990 | Brake drum | 2 | |
| 20 | 00054230 | Retaining ring | 2 | |
| 21 | 00137020 | Cylinder head screw | 12 | |
| 22 | 00053330 | Hexagon nut | 2 | |
| 23 | 00863220 | Retaining ring | 2 | |
| 24 | 01133010 | Rim half | 2 | |
| 25 | 00054690 | Hexagon screw | 2 | |
| 26 | 00053750 | Washer | 4 | |
| 27 | 00051510 | Hexagon nut | 2 | |
| 28 | 00053350 | Hexagon nut | 2 | |
| 29 | 00074500 | Hex.bolt | 2 | |
| 30 | 97077358-6502-20 | Brake pedal | Page | 92 |
| 31 | 01133700 | mounting link | 1 | |
| 32 | 00853650 | Tension spring | 1 | |
| 33 | 00054890 | Cotter pin | 1 | |
| 34 | 01131320 | Stop angel | 1 | |

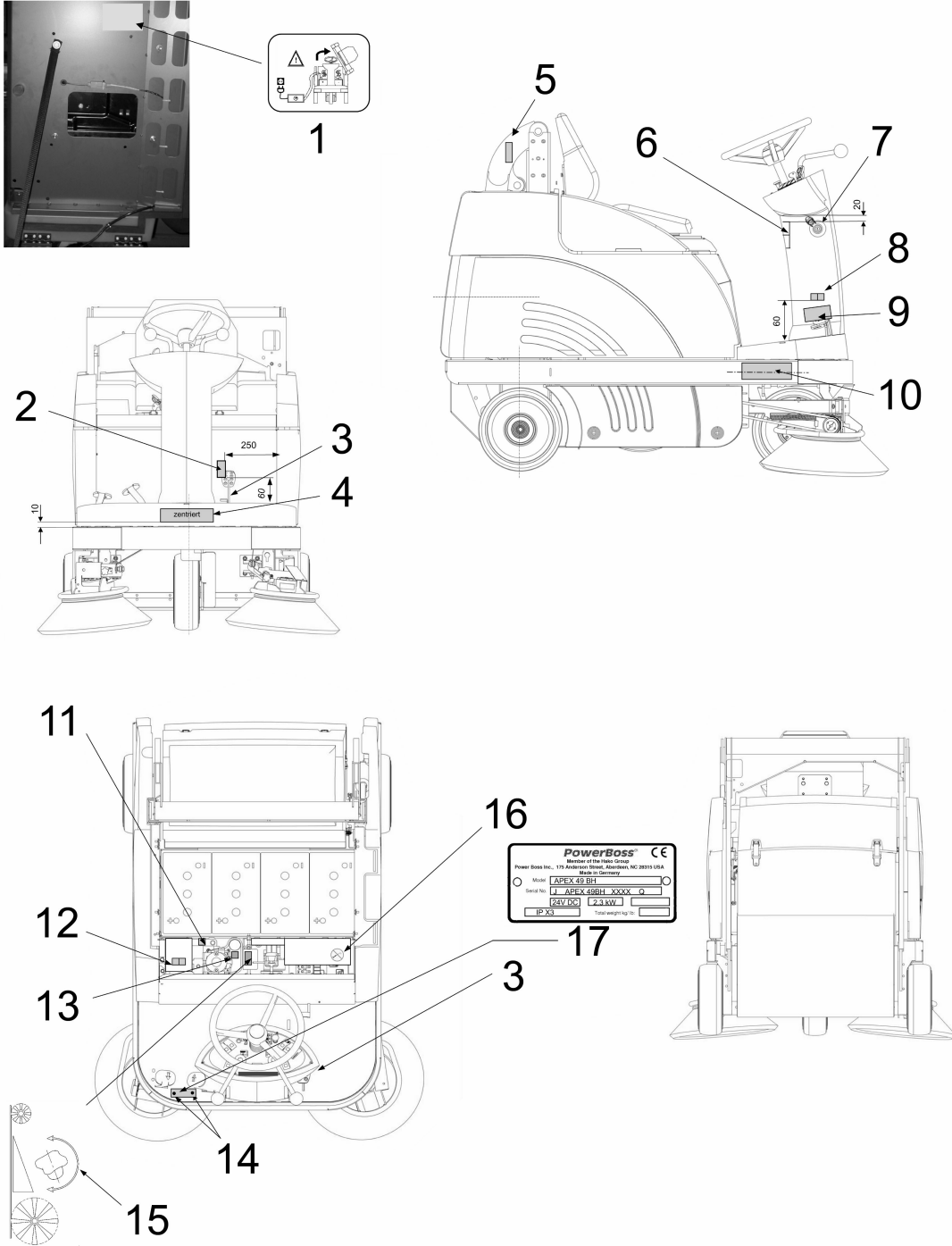
Brake pedal (97077358-6502-20)



Brake pedal (97077358-6502-20)

| Item | Part number | Description | Qty. | Remarks |
|------|-------------|------------------------|------|---------|
| 1 | 01130320 | Pedal brake | 1 | |
| 2 | 00051510 | Hexagon nut | 3 | |
| 3 | 00053750 | Washer | 3 | |
| 4 | 00854270 | Handle | 1 | |
| 5 | 00042900 | Washer | 2 | |
| 6 | 00124290 | Cylinder head screw | 2 | |
| 7 | 01130330 | Bolt | 1 | |
| 8 | 00555130 | Sealing ring | 1 | |
| 9 | 01055930 | Tension spring | 1 | |
| 10 | 01130340 | Barrier lever | 1 | |
| 11 | 00053110 | Hexagon screw | 1 | |
| 12 | 03003170 | Handle | 1 | |
| 13 | 00974400 | Bushing | 1 | |
| 14 | 00521270 | Roller | 1 | |
| 15 | 01130350 | Bowden cable for brake | 1 | |
| 16 | 00706180 | Thrust washer | 2 | |
| 17 | 00133830 | Hex. Nut | 2 | |
| 18 | 00557150 | Washer | 2 | |
| 19 | 00927610 | Switch | 1 | |
| 20 | 03003180 | Bracket | 1 | |
| 21 | 00108490 | Hex.bolt | 2 | |
| 22 | 00879630 | Bolt | 2 | |
| 23 | 00927630 | Cap | 1 | |

Label (97090534)



Label (97090534)

| Item | Part number | Description | Qty. | Remarks |
|------|-------------|---------------------------------|------|----------------|
| 1 | 01133290 | Decal BATTERY CHARGE | 1 | |
| 2 | 01131540 | Lable brush apron | 1 | |
| 3 | 01131550 | Lable brake | 1 | |
| 4 | 03008390 | Decal POWERBOSS | 1 | |
| 5 | 01142760 | Decal SQUEEZING DANGER | 1 | |
| 6 | 01071710 | Decal "Instruction manual" | 1 | |
| 7 | 01133270 | Decal START | 1 | |
| 8 | 01131560 | Decal PARKING BRAKE | 1 | |
| 9 | 03008790 | Backing film | 1 | Acoustic power |
| 10 | 03008780 | Decal APEX 49 | 2 | |
| 11 | 00871160 | Decal 24V | 1 | |
| 12 | 01131590 | Decal ROTATING PARTS | 1 | |
| 13 | 01132710 | Decal HYDRAULIC OIL | 1 | |
| 14 | 00504370 | Blind rivet | 2 | |
| 15 | 01133940 | decal ADJUSTABLE SWEEPER ROLLER | 1 | |
| 16 | 01131570 | Lable high-pressure cleaner | 1 | |
| 17 | 03008410 | Type plate POWERBOSS | 1 | |

Warranty Information

Revision F
Effective November 1, 2008
PowerBoss Made Simple Industrial Limited Warranty

Minuteman International owner of PowerBoss warrants to the original purchaser/user that the product is free from defects in workmanship and materials under normal use. PowerBoss will, at its option, repair or replace without charge, parts that fail under normal use and service when operated and maintained in accordance with the applicable operation and instruction manuals. All warranty claims must be submitted through and approved by factory authorized repair stations.

This warranty does not apply to normal wear, or to items whose life is dependent on their use and care. Parts not manufactured by PowerBoss are covered by and subject to the warranties and/or guarantees of their manufacturers. Please contact Minuteman International for procedures in warranty claims against these manufacturers.

Special warning to purchaser -- Use of replacement parts not manufactured by PowerBoss or its designated licensees, will void all warranties expressed or implied. A potential health hazard exists without original equipment replacement.

All warranted items become the sole property of Minuteman International or PowerBoss or its original manufacturer, whichever the case may be.

PowerBoss disclaims any implied warranty, including the warranty of merchantability and the warranty of fitness for a particular purpose. PowerBoss assumes no responsibility for any special, incidental or consequential damages.

This limited warranty is applicable only in the U.S.A. and Canada, and is extended only to the original user/purchaser of this product. Customers outside the U.S.A. and Canada should contact their local distributor for export warranty policies. PowerBoss is not responsible for costs or repairs performed by persons other than those specifically authorized by PowerBoss. This warranty does not apply to damage from transportation, alterations by unauthorized persons, misuse or abuse of the equipment, use of non-compatible chemicals, or damage to property, or loss of income due to malfunctions of the product. If a difficulty develops with this machine, you should contact the dealer from whom it was purchased.

This warranty gives you specific legal rights, and you may have other rights, which vary from state to state. Some states do not allow the exclusion or limitation of special, incidental or consequential damages, or limitations on how long an implied warranty lasts, so the above exclusions and limitations may not apply to you.

| | Travel* | Labor | Parts | Engine | Extended Warranty | Costs |
|----------------------|-------------|------------|----------------------|------------------------|-----------------------------------------------|-------|
| Walk behinds | | | | | | |
| Battery sweepers | Ninety days | One year | One year | N/A | 2 years Parts + Labor (or 2000 Hours) | 2% |
| IC sweepers | Ninety days | One year | One year | Through manufacturer | 2 years Parts + Labor (or 2000 Hours) | 2% |
| Battery scrubbers | Ninety days | Two years | Three years | N/A | 3 Years Parts + Labor (or 3000 Hours) | 2% |
| Riders | | | | | | |
| Battery scrubbers | Ninety days | Two years | Three years/2000 hrs | N/A | 3 Years Parts + Labor (or 3000 Hours) | 2% |
| IC sweeper/scrubbers | Ninety days | Six months | Two years/2000 hrs | Two years/3000 hrs** | 2 years Parts + Labor (or 2000 Hours) | 3% |
| IC sweepers | Ninety days | Six months | Four years/3000 hrs | Five years/3000 hrs** | 4 Years Parts + 2 Years Labor (or 4000 Hours) | 3% |
| Exceptions | | | | | | |
| Apex series sweeper | Ninety days | One year | One year/1000 hrs | One year/1000 hrs** | 2 years Parts + Labor (or 2000 Hours) | 3% |
| 6X sweeper | Ninety days | Six months | Two years/2000 hrs | Two years/2000 hours** | 2 years Parts + Labor (or 2000 Hours) | 3% |

Tank Bladders Eight years/ no additional labor
Polypropylene plastic tanks Ten years/ no additional labor
Batteries 0-3 months full replacement, 4-12 prorated credit
Chargers One-year replacement
Replacement parts Ninety days

*Two-hour cap

**Through engine manufacturer. See section 3 of warranty manual for engine warranty exceptions

*** Based upon dealer's certification status

Extended Warranty MUST be signed up within 30 days of delivery to End User (Dealer has 1Year from Receiving Machine to Sign up extended Warranty)

Extended Warranty Cost is based on Invoice Price multiplied by the Percentage listed in the Extended Warranty Column

All above labor and travel reimbursed at 65 or 75% of the published shop rate.



“The Power of Clean”

PowerBoss Is A Full Line Manufacturer Of Sweepers and Scrubbers For Industrial Facilities.

PowerBoss, Inc 175 Anderson Street P.O. Box 1227- Aberdeen North Carolina 28315

Phone: 800-982-7141 - Fax: 1-800-277-7141 Local: 910-944-2105 Fax: 910-944-7409 e-mail: techsupport@powerboss.com

A Member Of The Hako Group