

Parts Catalog

Apex 47 Series

Model Battery



Table of Contents

Side brush R.H. (97085690)	4
Front wheel drive (97077317)	8
Accelerator B (97077374)	12
Steering (til 6502.40.5.0171.3) (97077127-1a 6502-40)	16
Steering (from 6502.40.5.0172.3 until aug.2007) (97077127-1b 6502-40)	20
Steering (from sept. 2007) (97077127-1c 6502-30)	22
Manipulation for side brush and sweeping roller (97077127-2)	26
Electrical equipment (97090666)	28
Covering - Seat (97081434)	44
Motor - Chassis (97077259)	48
Group of main sweeper roller (97077192-1)	50
Manipulation for brush apron - Lifter for sweeping (97077192-2)	54
Broom wear compensation (97079263)	58
Dust extraction (97085963)	60
Dirt hopper - Dirt hopper lifter (97076822)	70
Rear wheel (massive) - Brake - Brake pedal (97081491)	72
Label (97090526)	76

This manual covers all standard Apex 47 models:

Model No.

The machine will provide excellent service. However, the best results will be obtained if:

- The machine is operated with reasonable care.
- The machine is maintained regularly per the maintenance schedule in the instruction manual provided.
- The machine is maintained with PowerBoss OEM supplied or equivalent parts.

All right side and left side references to the machine are determined by facing the direction of forward travel. Parts may be ordered by phone or mail from any PowerBoss parts and service center. Before ordering parts or supplies be sure to have your machine model number and serial number handy.

Fill out the data block below for future reference.

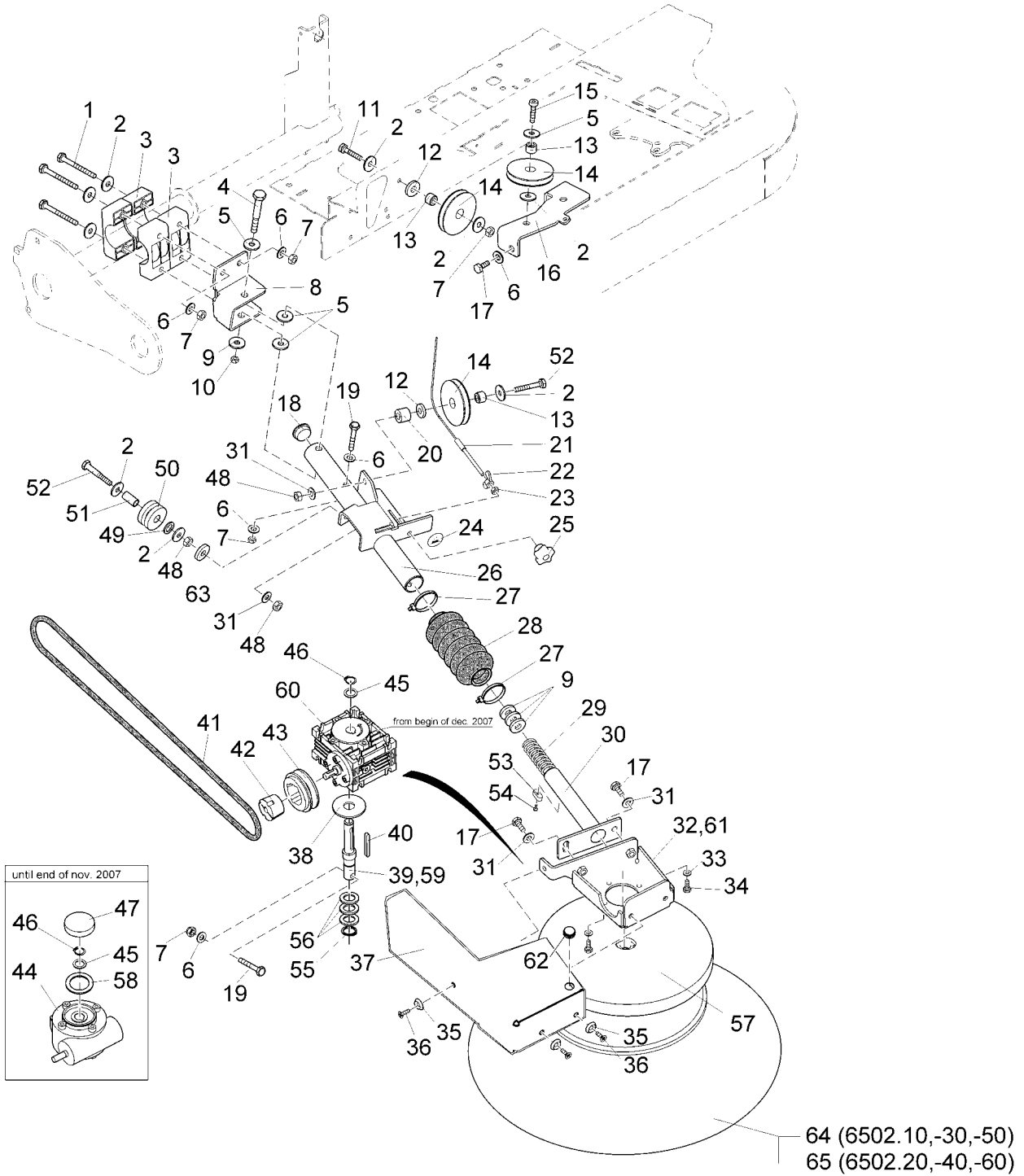
MACHINE DATA Fill Out At Installation	
Model:	Apex 47
Serial Number:	_____
Sales Rep or Dealer	_____
Date of Install:	_____
Manual p/n:	AP47B

All information contained in this manual is current at the time of printing However, PowerBoss Reserves the right to make changes at any time without notice.

© 2011, Powerboss, Inc., Printed in USA

All rights reserved. This manual may not be copied or reproduced in any form, without the written permission of PowerBoss, Inc.

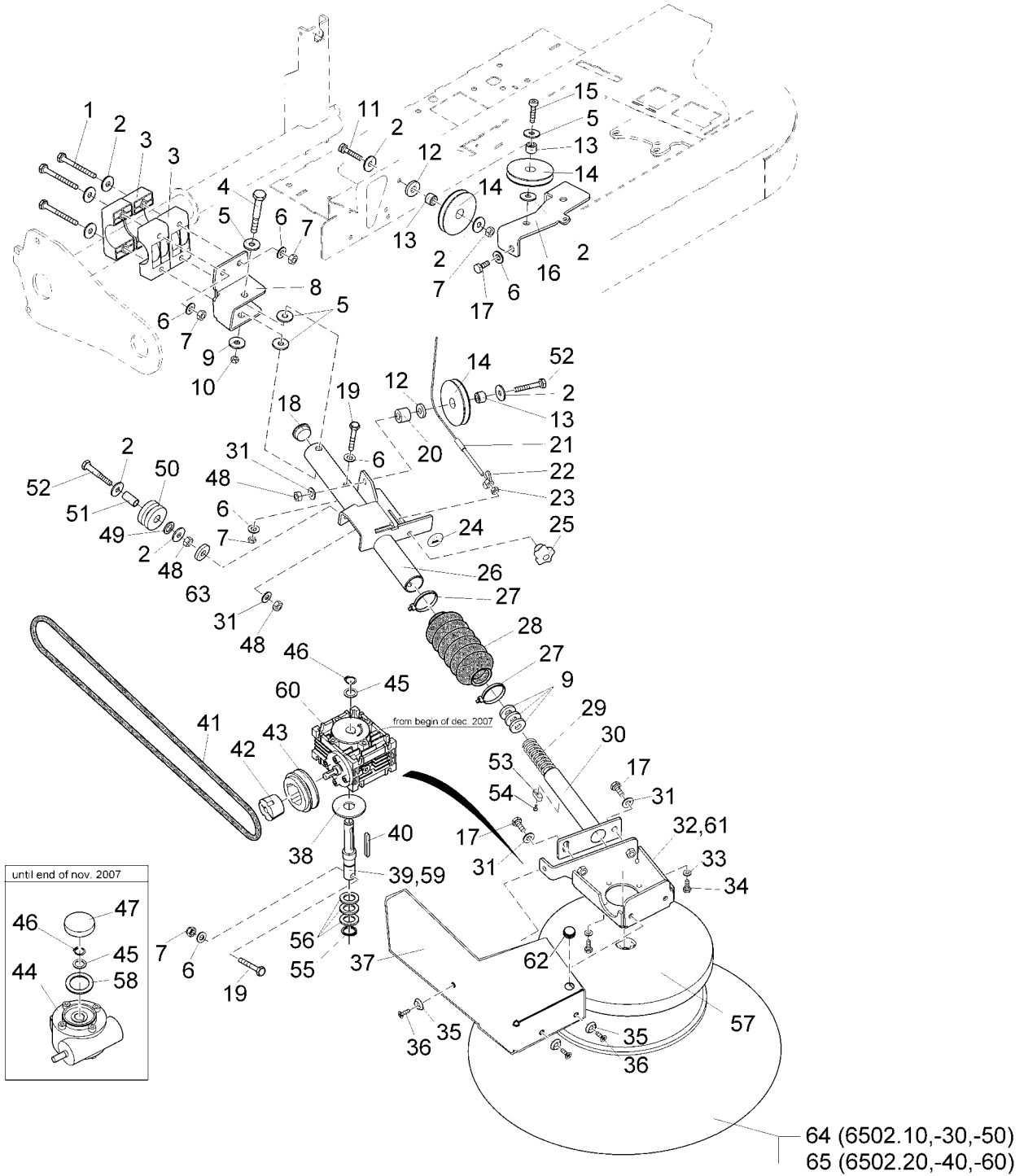
Side brush R.H. (97085690)



Side brush R.H. (97085690)

Item	Part number	Description	Qty.	Remarks
1	00557600	Hex.bolt	4	
2	00042900	Washer	11	
3	01130610	Bearing	4	
4	00041810	Hex.bolt	1	
5	00046520	Washer	3	
6	00053750	Washer	9	
7	00051510	Hexagon nut	7	
8	01130620	Retainer R.H.	1	
9	00855380	Washer	4	
10	00132880	Hexagon nut	1	
11	00054690	Hexagon screw	1	
12	00695300	Washer	2	
13	00974400	Bushing	3	
14	00521270	Roller	3	
15	00537390	Cylinder head screw	1	
16	01130630	Holder	1	
17	00553690	Hex.bolt	2	
18	00152850	Drain plug	1	
19	00041600	Hex.bolt	2	
20	00029170	Bushing	1	
21	01130640	Rope	1	
22	00054020	Wing nut	1	
23	00053330	Hexagon nut	1	
24	01130650	Decal SIDE BROOM ADJUSTMENT	1	
25	00853730	Star handle	1	
26	01130660	Side brush	1	
27	00967760	Cable tie	2	
28	01130670	Bellows	1	
29	00701250	Cyl.compression spring	1	
30	01130680	Holder	1	
31	00740090	Detent edged washer	4	
32	01132360	Gear support R.H.	1	until end of nov. 2007
33	00740280	Washer	4	
34	00104500	Hexagon screw	4	
35	00157690	Annular plate	3	
36	00154680	Countersunk screw	3	

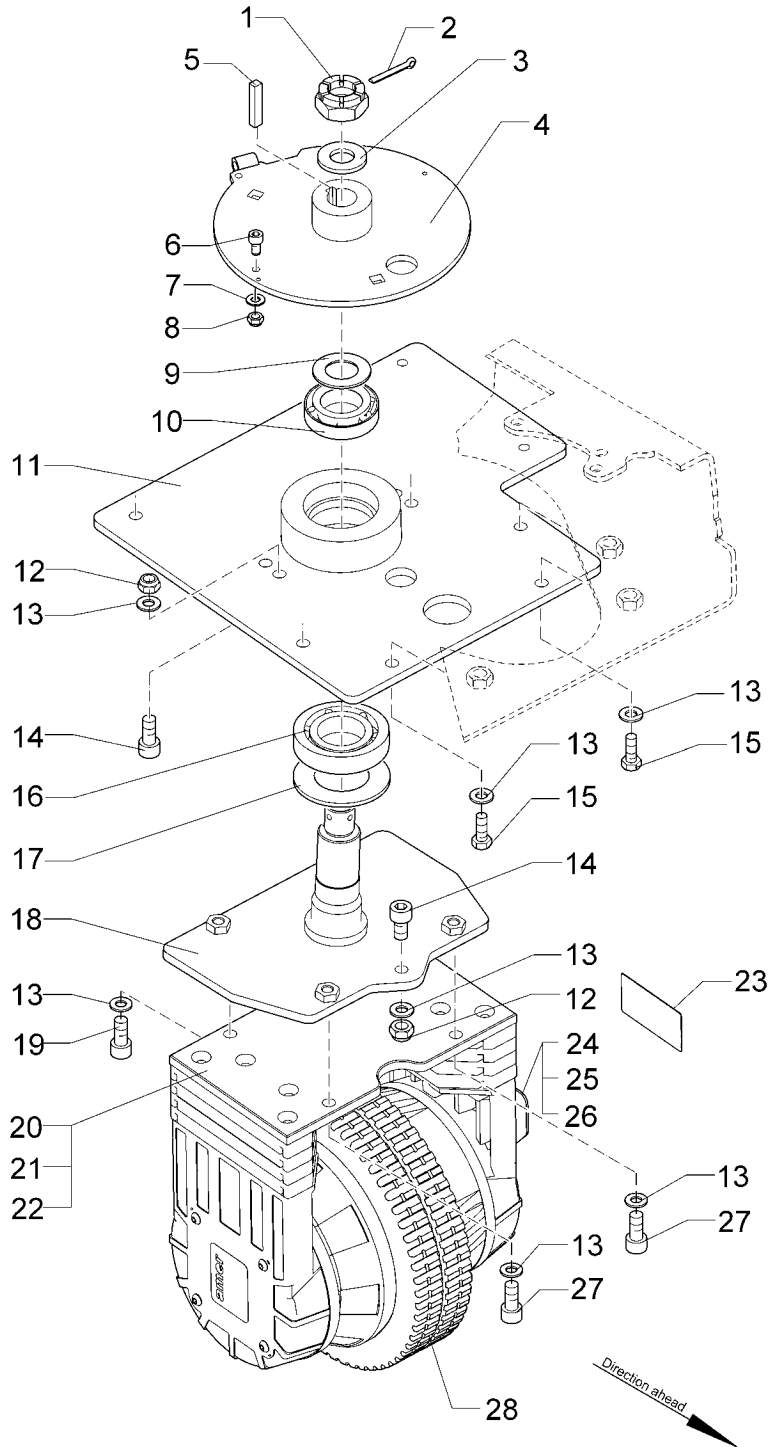
Side brush R.H. (97085690)



Side brush R.H. (97085690)

Item	Part number	Description	Qty.	Remarks
37	01132370	covering	1	
38	00871350	Washer	1	
39	01132790	Drive shaft	1	until end of nov. 2007
40	00072940	Feather key	1	
41	01130710	Narrow drive belt	1	
42	01130720	Bush	1	
43	01130730	Belt pulley	1	
44	01130740	Gear	1	until end of nov. 2007
45	00020610	Supporting ring	1	
46	00022440	Retaining ring	1	
47	01131530	Cap	1	until end of nov. 2007
48	00053350	Hexagon nut	3	
49	00156720	Washer	1	
50	00740930	Roller	1	
51	00855240	Bushing	1	
52	00138180	Hex.bolt	2	
53	01132380	fitted key	1	
54	00695680	Fillister-head screw	1	
55	00022230	Retaining ring	1	
56	00041590	Supporting ring	1	
57	01132800	Deflector grey	1	
58	00155120	Supporting ring	1	until end of nov. 2007
59	01135630	Drive shaft	1	from begin of dec. 2007
60	01135550	Worm gear	1	from begin of dec. 2007
61	01135580	Gear holder R.H.	1	from begin of dec. 2007
62	00740360	Cable sleeve	1	
63	00047990	Disk wheel	1	
64	99651300	Spare side broom PA	1	for 6502.10,-30,-50
65	99651400	Spare side broom PES	1	for 6502.20,-40,-60

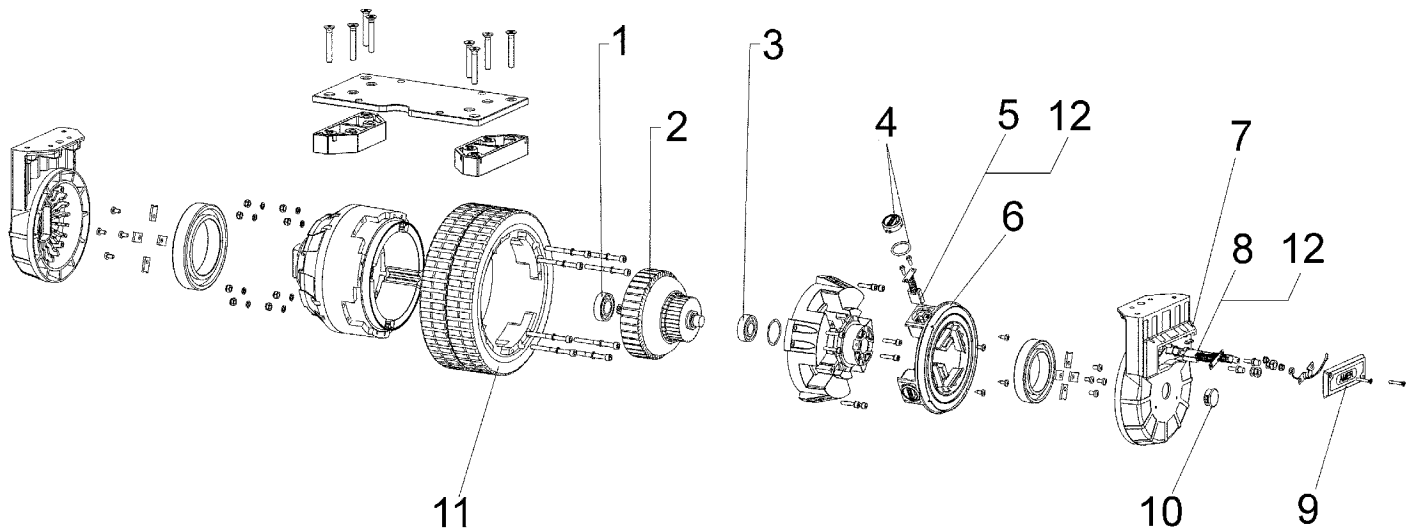
Front wheel drive (97077317)



Front wheel drive (97077317)

Item	Part number	Description	Qty.	Remarks
1	00048400	Slotted nut	1	
2	00027880	Cotter pin	1	
3	00743290	Washer	1	
4	01132760	Guidance disk, cpl.	1	
5	01132770	Parallel key	1	
6	00136910	Cylinder head screw	4	
7	00053730	Washer	4	
8	00051520	Hexagon nut	4	
9	01130030	Nilos ring	1	
10	00048410	Cone roller bearing	1	
11	03002980	Front wheel bearing plate	1	
12	00053360	Hexagon nut	3	
13	00870090	Detent edged washer	13	
14	00135030	Socket head screw	3	
15	00053310	Hexagon screw	6	
16	00137930	Cone roller bearing	1	
17	00746270	Ring	1	
18	03004830	wheelmount	1	
19	00504250	Socket head screw	2	
20	01132780	Wheel hub drive	Page	10
21	03003000	Transparency	1	
22	00125430	Cylinder head screw	2	
23	01135530	Temperature switch	1	

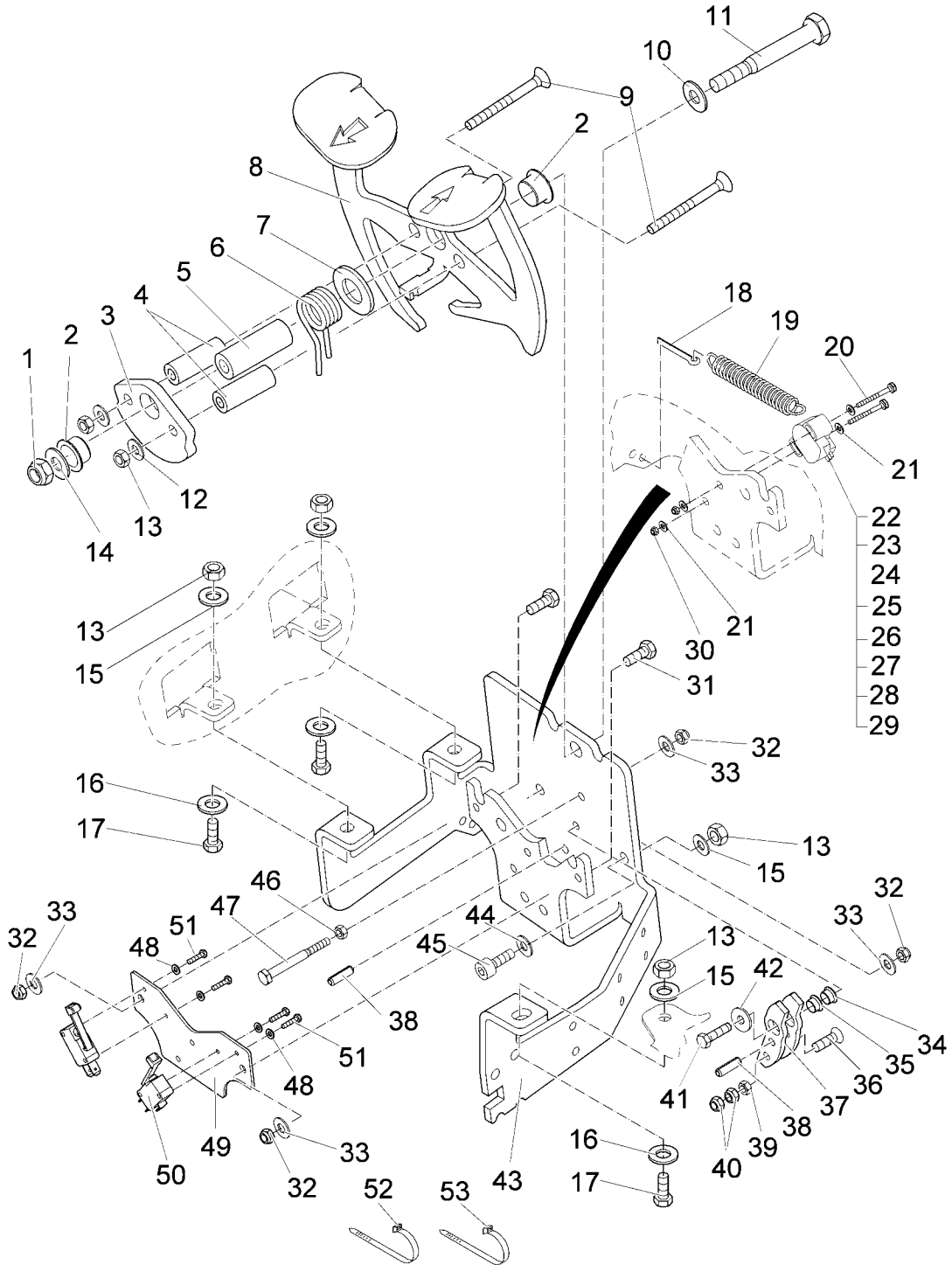
Wheel hub drive (01132780)



Wheel hub drive (01132780)

Item	Part number	Description	Qty.	Remarks
1	XXXXXXXX	no part-No. til yet	1	
2	XXXXXXXX	no part-No. til yet	1	
3	XXXXXXXX	no part-No. til yet	1	
4	01073950	Plug	4	
5	01073960	Carbon brush	4	
6	XXXXXXXX	no part-No. til yet	1	
7	XXXXXXXX	no part-No. til yet	1	
8	01133480	Carbon brushes	2	
9	01135520	Cap	1	
10	01131700	Drain plug	1	
11	01074810	Wheel	1	
12	01131680	Carbon brush holder	6	

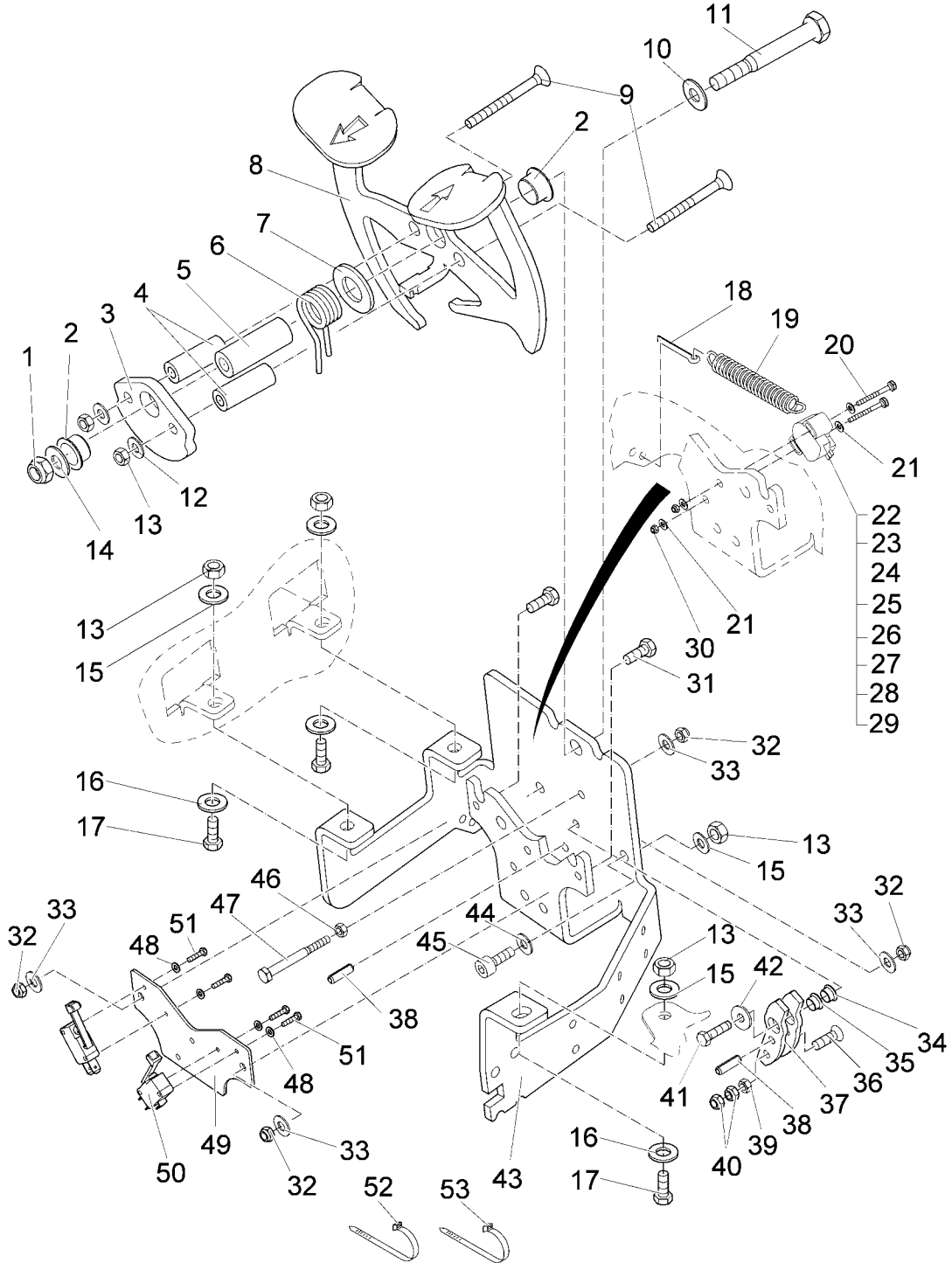
Accelerator B (97077374)



Accelerator B (97077374)

Item	Part number	Description	Qty.	Remarks
1	00051490	Hexagon nut	1	
2	01130490	Bush	2	
3	01130500	Plate	1	
4	01130510	Bush	2	
5	01130520	Bush	1	
6	01130530	Spring	1	
7	00154550	Washer	1	
8	01130540	Accelerator	1	
9	01130550	Countersunk screw	2	
10	00875950	Washer	1	
11	00105390	Hex.bolt	1	
12	00740090	Detent edged washer	2	
13	00053350	Hexagon nut	5	
14	00053770	Washer	1	
15	00740310	Washer	3	
16	00053750	Washer	3	
17	00077110	Hexagon screw	3	
18	00054890	Cotter pin	1	
19	01130560	Pull spring	1	
20	01130570	Hex.bolt	2	
21	00874720	Washer	4	
22	00975500	Turn angle transmitter	1	
23	03008790	Backing film	1	
24	01006210	Pin contact	6	
25	01006190	Seal	6	
26	03003250	Pin housing	1	
27	00559670	Case	4	
28	00083640	Plastic cover	4	
29	03003260	Line	1520mm	
30	00133830	Hex. Nut	2	
31	00053020	Hexagon screw	2	
32	00051520	Hexagon nut	4	
33	00053730	Washer	4	
34	01130580	Bush	1	
35	01130590	Bush	1	
36	01073650	Countersunk screw	1	

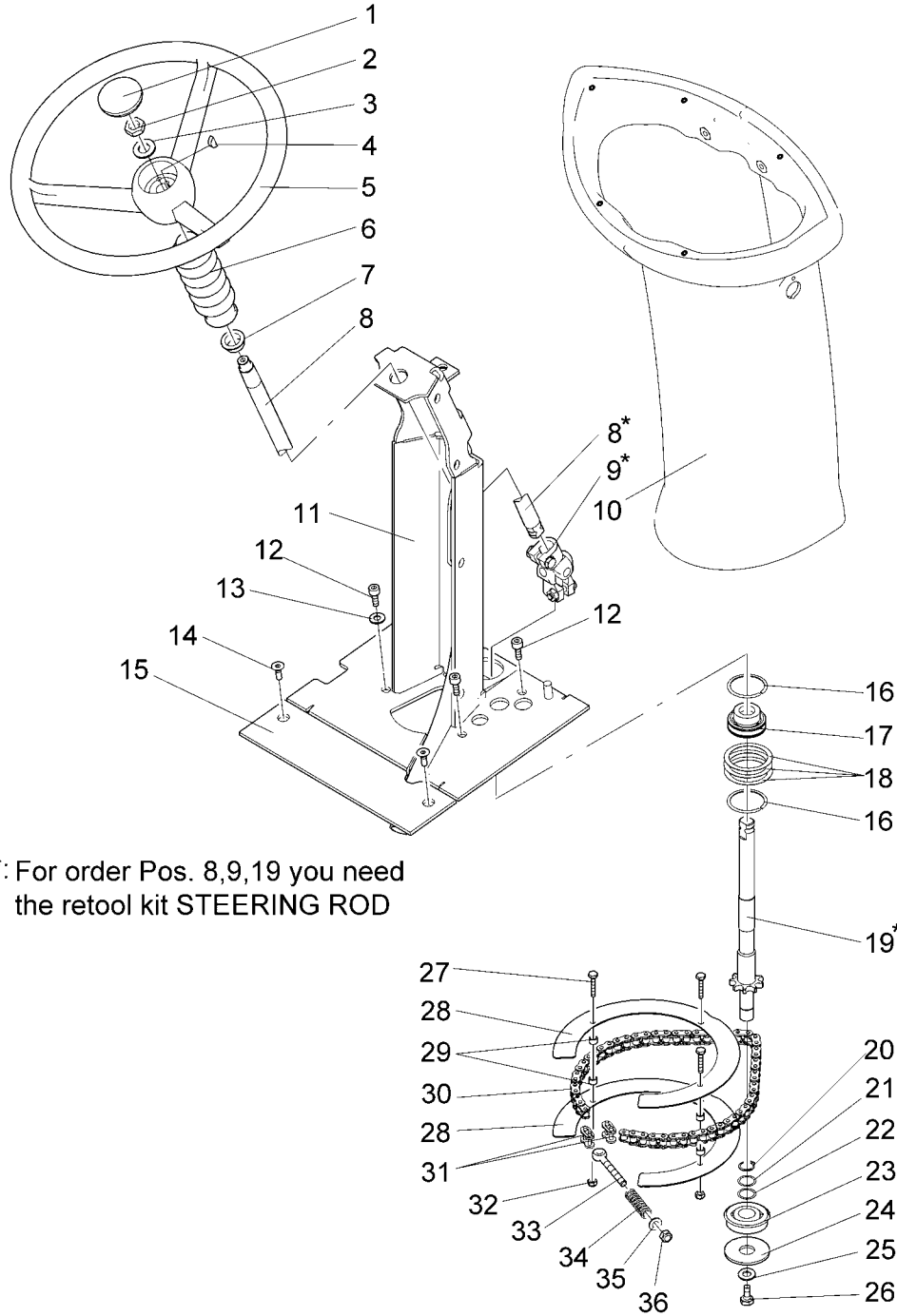
Accelerator B (97077374)



Accelerator B (97077374)

Item	Part number	Description	Qty.	Remarks
37	01130600	Plate	2	
38	00046440	Dowel pin	2	
39	00053320	Hex. Nut	1	
40	00051340	Hexagon nut	2	
41	00053040	Hex.bolt	1	
42	00135120	Washer	1	
43	03003270	Angel	1	
44	00924700	Washer	1	
45	00045540	Cylinder head screw	2	
46	00053330	Hexagon nut	1	
47	00737680	Hex.bolt	1	
48	00553740	Washer	4	
49	01113350	Sheet metal	1	
50	00975510	Micro switch	2	
51	00022180	Hex.bolt	4	
52	00967760	Cable tie	2	
53	00121150	Cable tie	4	

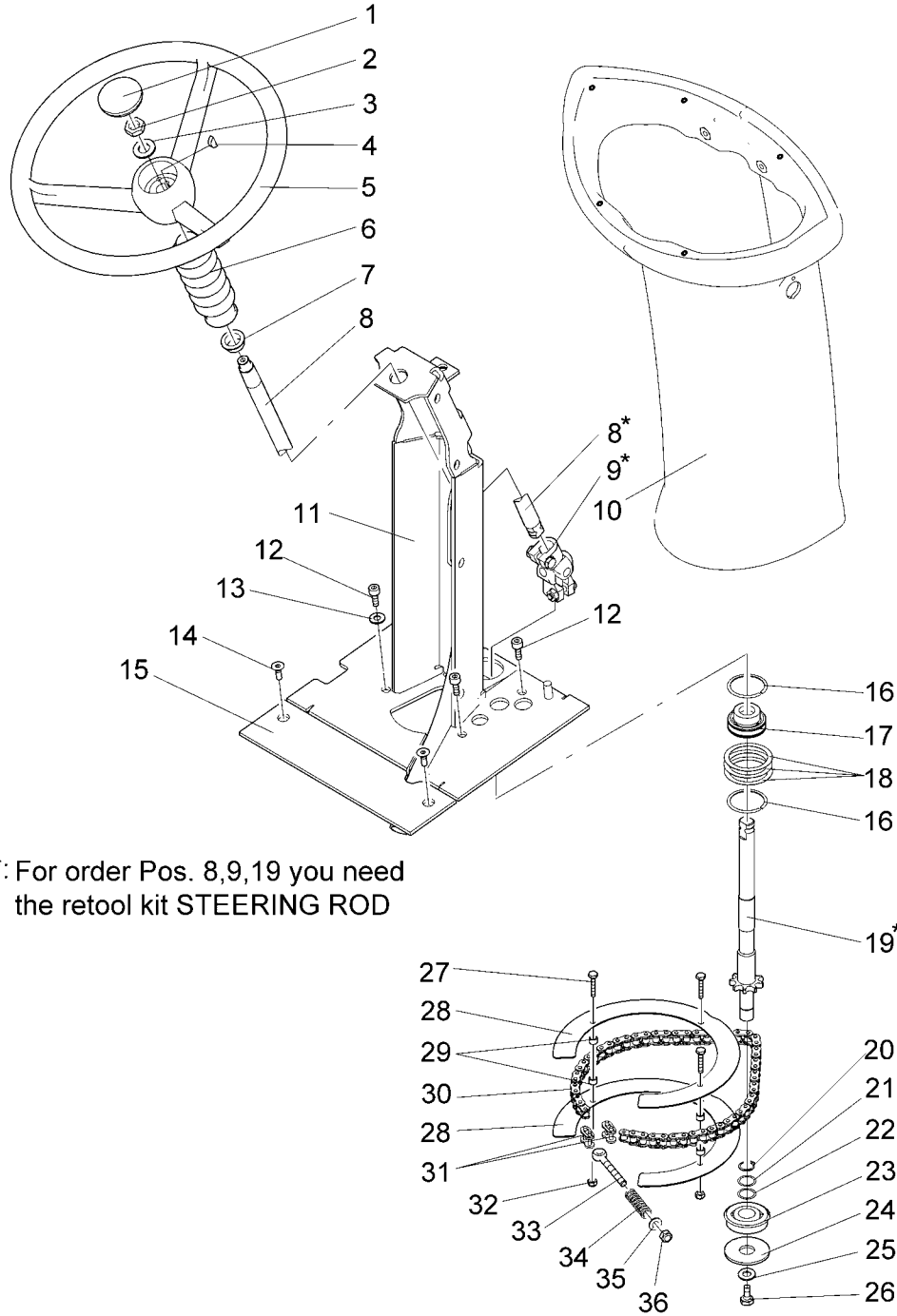
Steering (til 6502.40.5.0171.3) (97077127-1a 6502-40)



Steering (til 6502.40.5.0171.3) (97077127-1a 6502-40)

Item	Part number	Description	Qty.	Remarks
1	00852310	Cap	1	
2	00053740	Hexagon nut	2	
3	00053780	Washer	1	
4	00153600	Woodruff key	1	
5	00770220	Steering wheel	1	
6	01130390	Bellows	1	
7	01130470	Slide bearing bush	5	
8	00008880	Retool kit STEERING ROD	1	
9	00008880	Retool kit STEERING ROD	1	
10	01132840	Steering column, cpl.	1	
11	03004850	steering carrier, cpl.	1	
12	00045540	Cylinder head screw	4	
13	00740090	Detent edged washer	4	
14	00059080	Countersunk screw	2	
15	01135560	Plate	1	
16	01001260	Circlip	2	
17	01001320	Bearing	1	
18	01132850	Adjusting washer	3	
19	00008880	Retool kit STEERING ROD	1	
20	00022230	Retaining ring	1	
21	00155180	Adjusting washer	2	
22	00125680	Adjusting washer	1	
23	00901380	Deep groove ball bearing	1	
24	00954200	Washer	1	
25	00740080	Washer	1	
26	00053080	Hexagon screw	1	
27	00053040	Hex.bolt	3	
28	01132870	Plate	1	
29	01006840	Bushing	3	
30	01132880	Roller chain	1	
31	00535820	Section	2	
32	00051520	Hexagon nut	3	
33	01132890	Eyebolt	1	
34	00550410	Pressure spring	1	
35	00053750	Washer	1	
36	00051510	Hexagon nut	1	

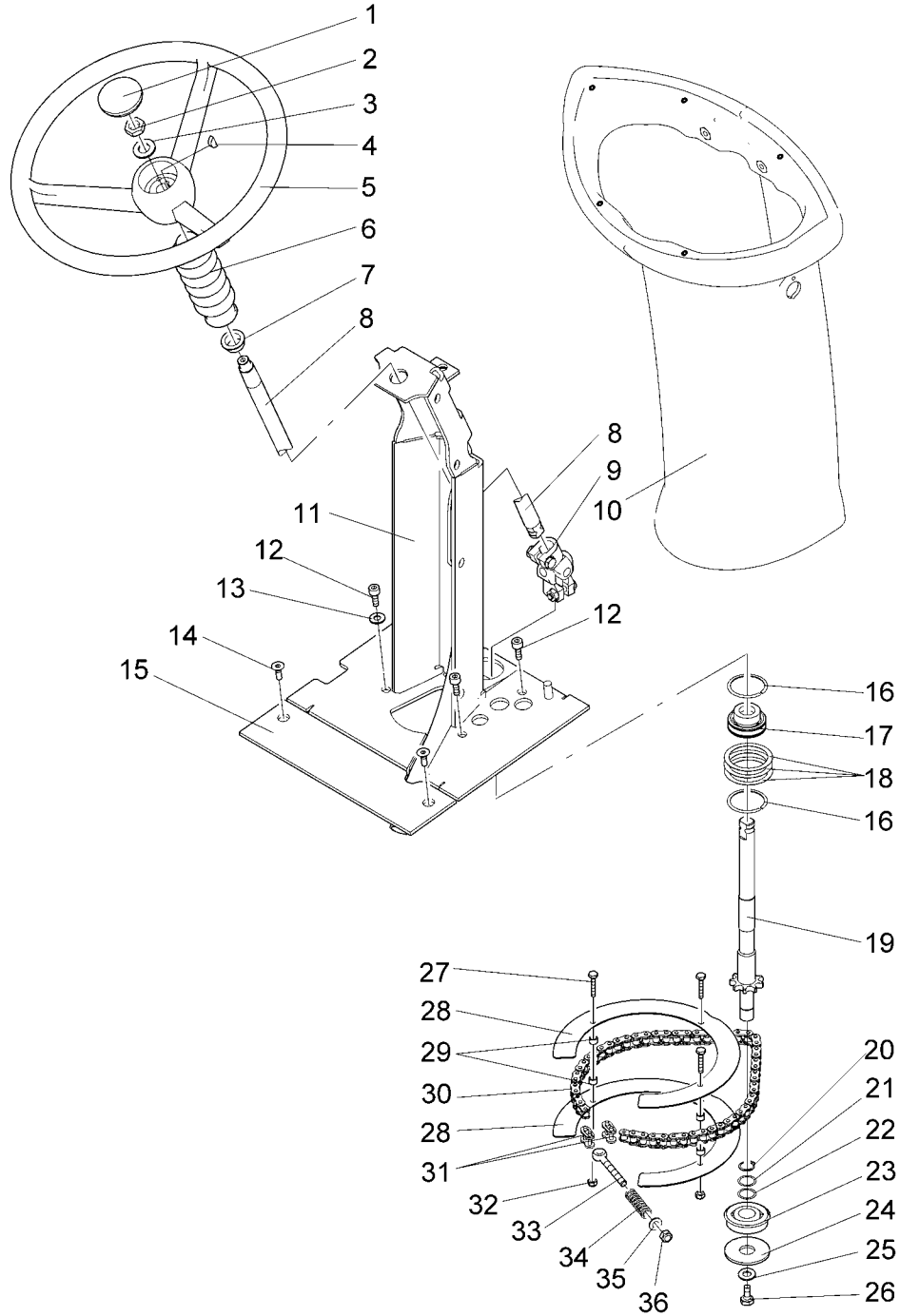
Steering (til 6502.40.5.0171.3) (97077127-1a 6502-40)



Steering (til 6502.40.5.0171.3) (97077127-1a 6502-40)

Item	Part number	Description	Qty.	Remarks
KUD	00008880	Retool kit STEERING ROD	1	

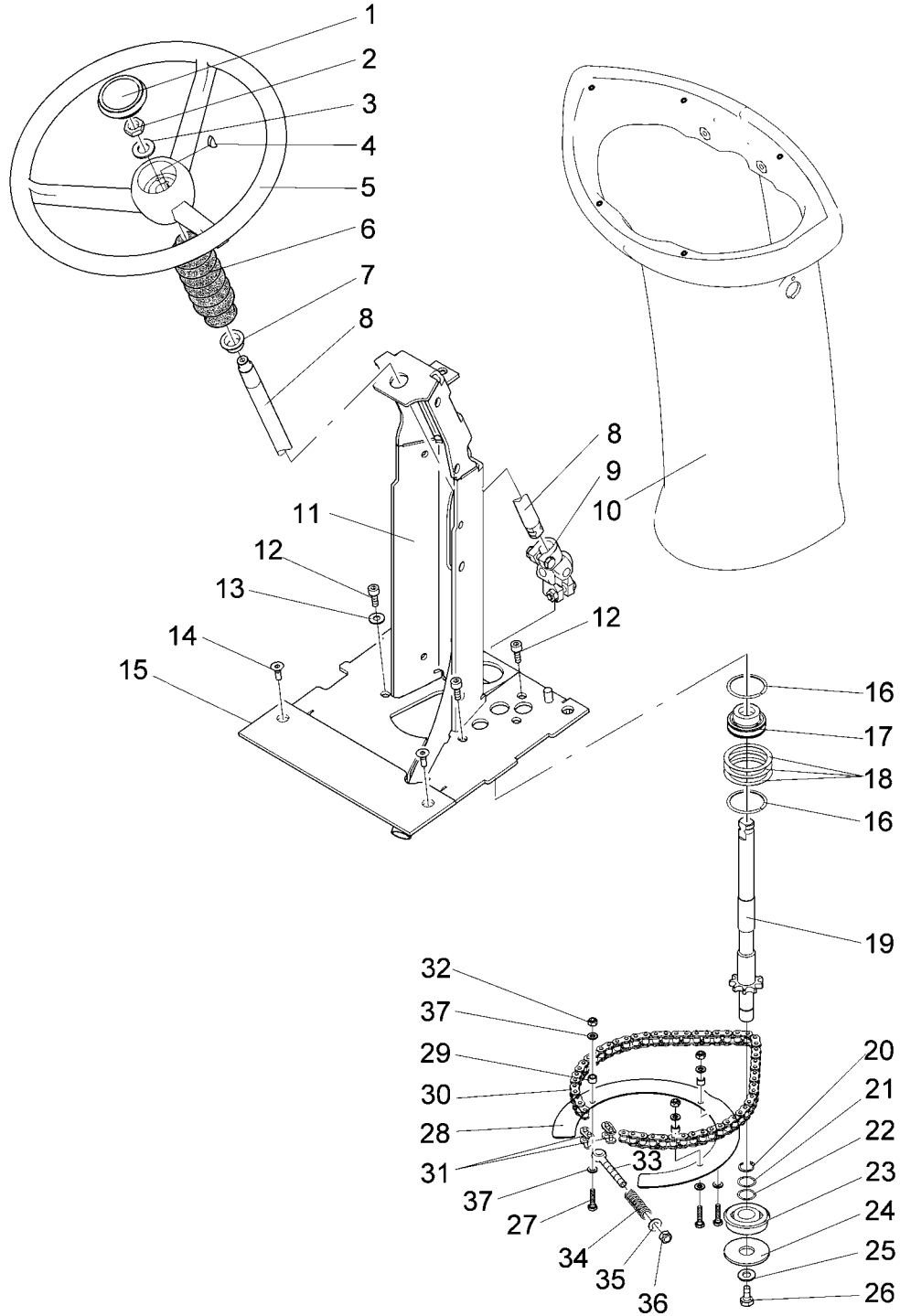
Steering (from 6502.40.5.0172.3 until aug.2007) (97077127-1b 6502-40)



Steering (from 6502.40.5.0172.3 until aug.2007) (97077127-1b 6502-40)

Item	Part number	Description	Qty.	Remarks
1	00852310	Cap	1	
2	00053740	Hexagon nut	2	
3	00053780	Washer	1	
4	00153600	Woodruff key	1	
5	00770220	Steering wheel	1	
6	01130390	Bellows	1	
7	01130470	Slide bearing bush	5	
8	01132830	Steering axle	1	
9	00746040	Cardan joint	1	
10	01132840	Steering column, cpl.	1	
11	03004850	steering carrier, cpl.	1	
12	00045540	Cylinder head screw	4	
13	00740090	Detent edged washer	4	
14	00059080	Countersunk screw	2	
15	01135560	Plate	1	
16	01001260	Circlip	2	
17	01001320	Bearing	1	
18	01132850	Adjusting washer	3	
19	01132860	Steering rod, cpl.	1	
20	00022230	Retaining ring	1	
21	00155180	Adjusting washer	2	
22	00125680	Adjusting washer	1	
23	00901380	Deep groove ball bearing	1	
24	00954200	Washer	1	
25	00740080	Washer	1	
26	00053080	Hexagon screw	1	
27	00053040	Hex.bolt	3	
28	01132870	Plate	1	
29	01006840	Bushing	3	
30	01132880	Roller chain	1	
31	00535820	Section	2	
32	00051520	Hexagon nut	3	
33	01132890	Eyebolt	1	
34	00550410	Pressure spring	1	
35	00053750	Washer	1	
36	00051510	Hexagon nut	1	

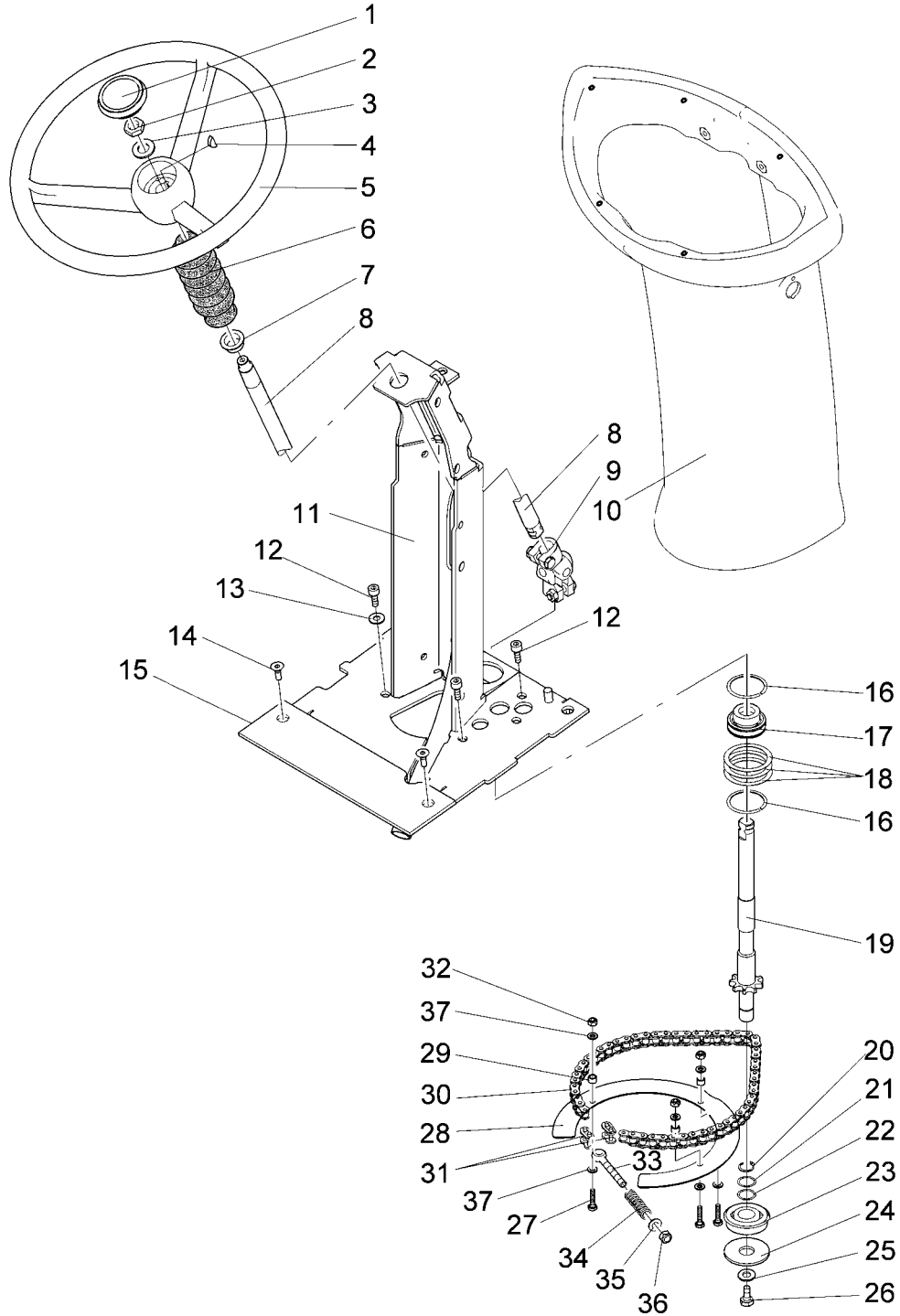
Steering (from sept. 2007) (97077127-1c 6502-30)



Steering (from sept. 2007) (97077127-1c 6502-30)

Item	Part number	Description	Qty.	Remarks
1	01140650	Cap	1	
2	00053740	Hexagon nut	2	
3	00053780	Washer	1	
4	00153600	Woodruff key	1	
5	00770220	Steering wheel	1	
6	01132820	Bellow	1	
7	01130470	Slide bearing bush	5	
8	01132830	Steering axle	1	
9	00746040	Cardan joint	1	
10	01132840	Steering column, cpl.	1	
11	03007210	Steering carrier, cpl.	1	
12	00045540	Cylinder head screw	4	
13	00740090	Detent edged washer	4	
14	00059080	Countersunk screw	2	
15	01135560	Plate	1	
16	01001260	Circlip	2	
17	01001320	Bearing	1	
18	01132850	Adjusting washer	3	
19	01132860	Steering rod, cpl.	1	
20	00022230	Retaining ring	1	
21	00155180	Adjusting washer	2	
22	00125680	Adjusting washer	1	
23	00901380	Deep groove ball bearing	1	
24	00954200	Washer	1	
25	00740080	Washer	1	
26	00053080	Hexagon screw	1	
27	00053030	Hexagon screw	3	
28	01132870	Plate	1	
29	01006840	Bushing	3	
30	01132880	Roller chain	1	
31	00535820	Section	2	
32	00051520	Hexagon nut	3	
33	01132890	Eyebolt	1	
34	00550410	Pressure spring	1	
35	00053750	Washer	1	
36	00051510	Hexagon nut	1	

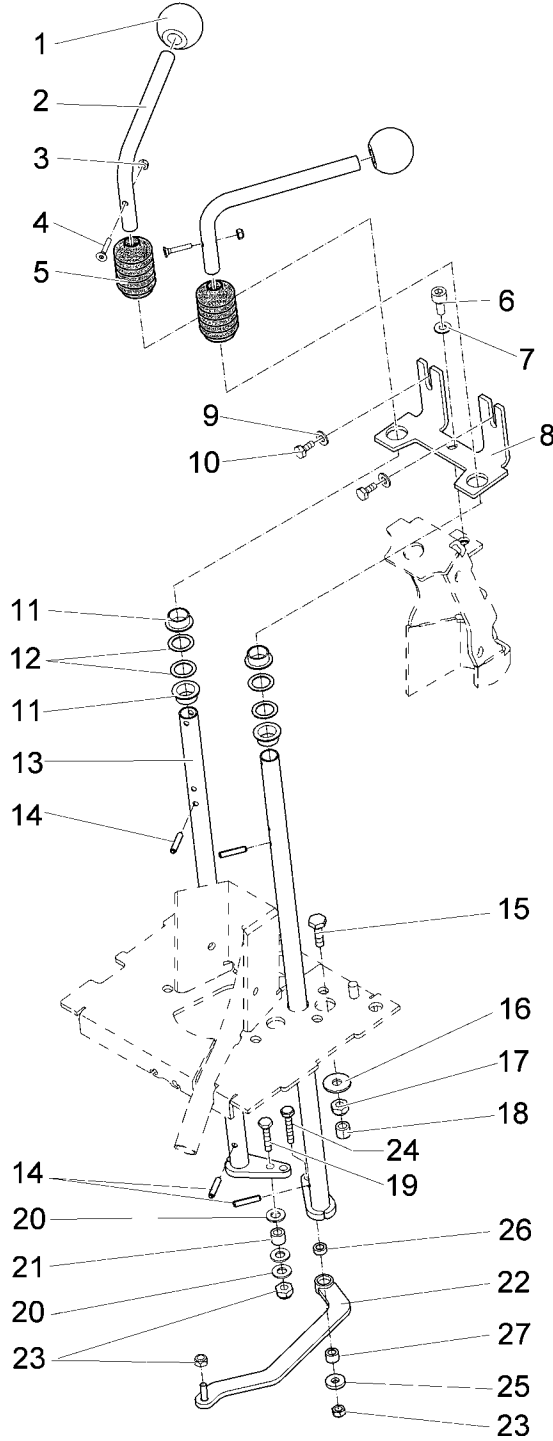
Steering (from sept. 2007) (97077127-1c 6502-30)



Steering (from sept. 2007) (97077127-1c 6502-30)

Item	Part number	Description	Qty.	Remarks
37	00053730	Washer	6	

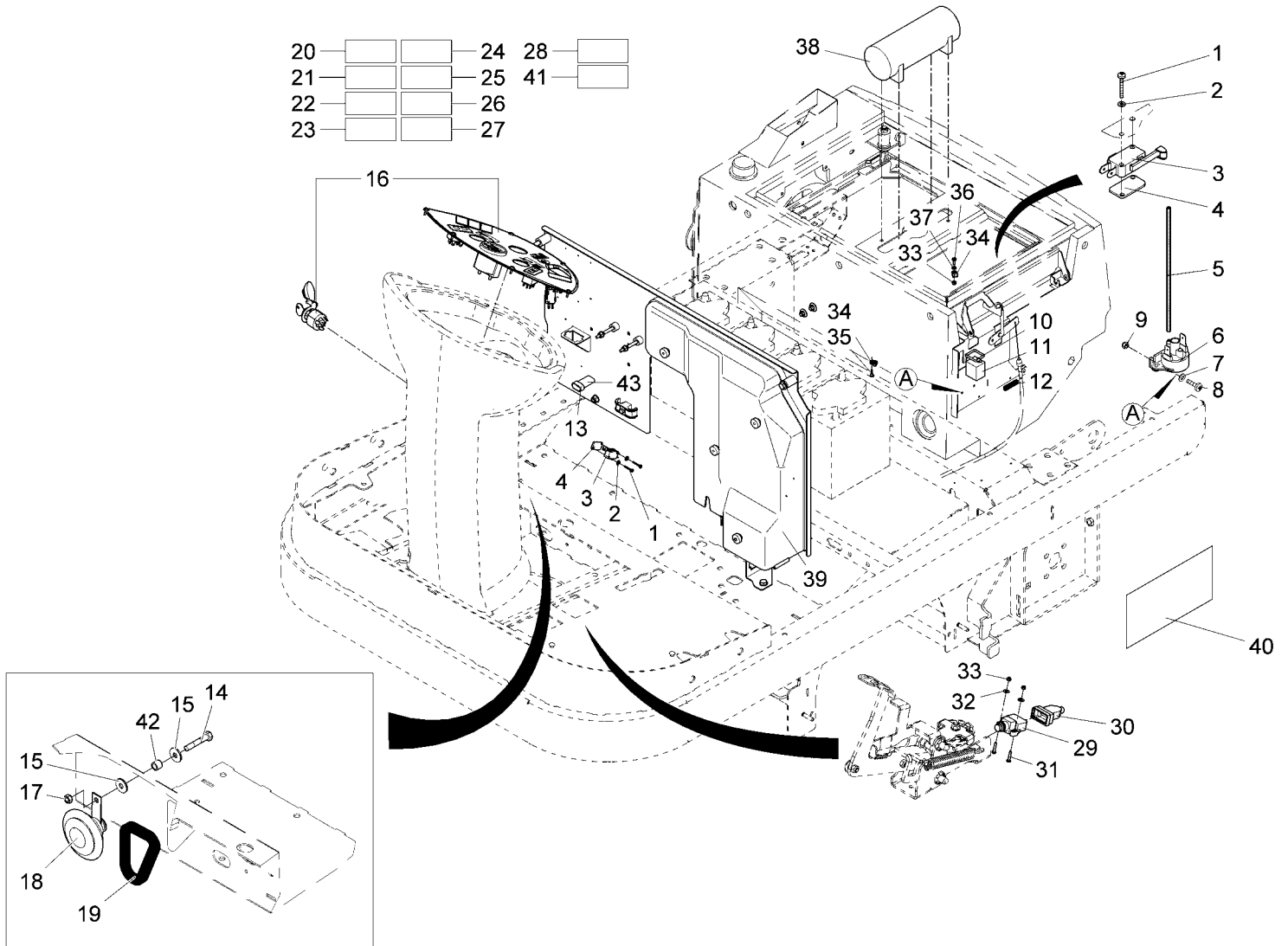
Manipulation for side brush and sweeping roller (97077127-2)



Manipulation for side brush and sweeping roller (97077127-2)

Item	Part number	Description	Qty.	Remarks
1	01132810	Knob	2	
2	01130410	Arc	2	
3	00051520	Hexagon nut	2	
4	01093180	Countersunk screw	2	
5	01132820	Bellow	2	
6	00108590	Socket head screw	1	
7	00053760	Washer	1	
8	03004840	retainer	1	
9	00053750	Washer	2	
10	00053080	Hexagon screw	2	
11	01130470	Slide bearing bush	2	
12	00153700	Adjusting washer	4	
13	01130430	Lever	2	
14	00044160	Dowel pin	4	
15	00053160	Hexagon screw	2	
16	00046520	Washer	2	
17	00051500	Hexagon nut	2	
18	01090960	Hose PVC	30mm	
19	00054690	Hexagon screw	1	
20	00053750	Washer	3	
21	00733400	Spacer sleeve	1	
22	01130440	Sheet metal	1	
23	00051510	Hexagon nut	3	
24	00133700	Hexagon screw	1	
25	00695300	Washer	1	
26	01135590	Slide bearing bush	1	
27	01135600	Slide bearing bush	1	

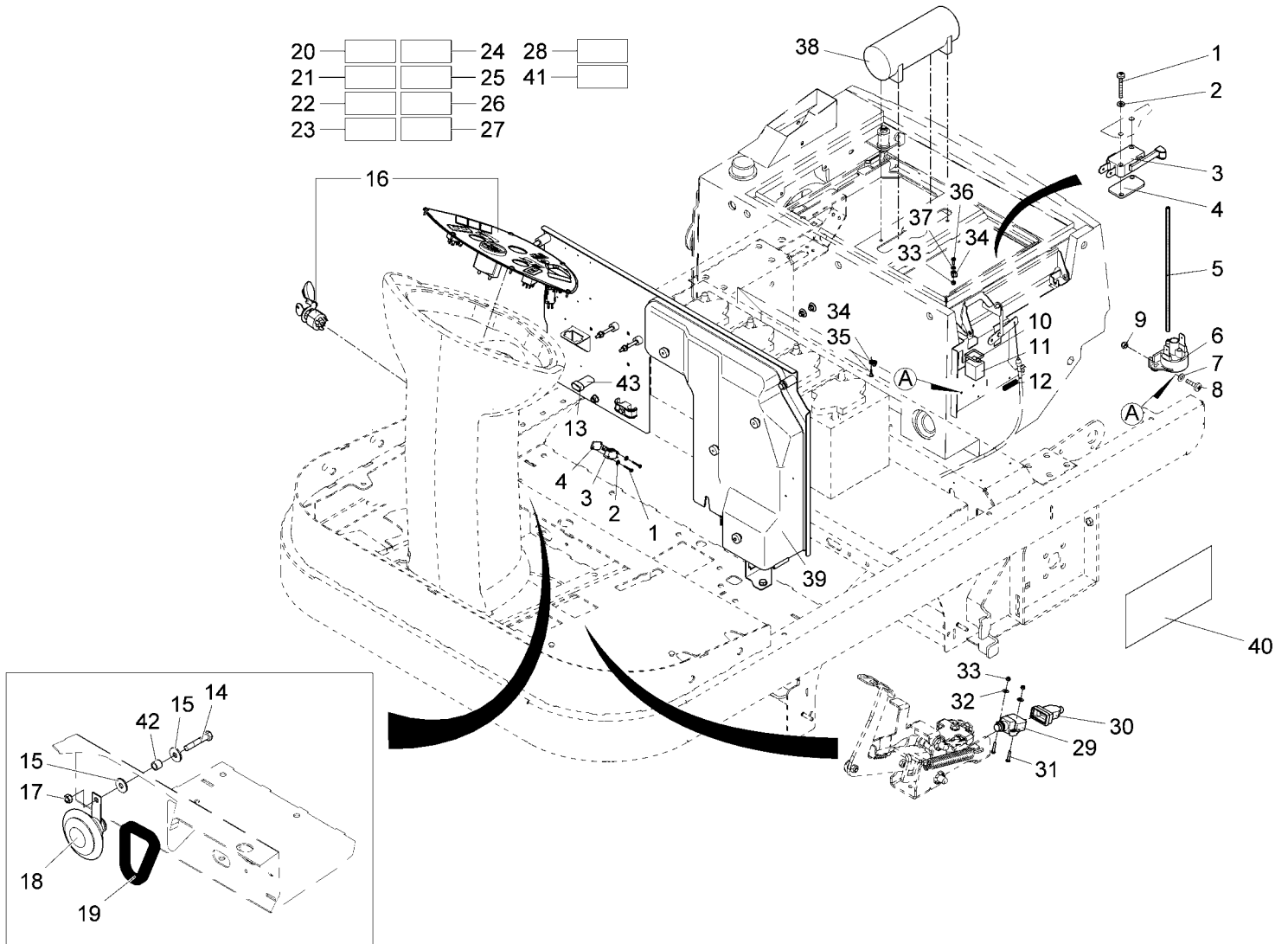
Electrical equipment (97090666)



Electrical equipment (97090666)

Item	Part number	Description	Qty.	Remarks
1	00955220	Fillister-head screw	2	
2	00747400	Washer	2	
3	00975510	Micro switch	1	
4	01074840	Thread base plate	1	
5	01090200	Hose	250mm	
6	01133980	push button switch	1	
7	00553740	Washer	2	
8	00535780	Fillister-head screw	2	
9	00022200	Hex. Nut	2	
10	00967760	Cable tie	33	
11	01132670	Bush bearing	1	
12	00721090	Edge protection	40mm	
13	01006200	Sealing plug	1	
14	00053110	Hexagon screw	1	
15	00740310	Washer	1	
16	97081137	Control panel	Page	32
17	00051510	Hexagon nut	1	
18	01133200	Horn	1	
19	00161240	Edge protection	260mm	
20	XXXXXXXX	no part-No. til yet	1	97084974 Wiring harness W1
21	XXXXXXXX	no part-No. til yet	1	97089049 Wiring harness W2
22	XXXXXXXX	no part-No. til yet	1	97081186 Wiring harness W4
23	XXXXXXXX	no part-No. til yet	1	97081194 Wiring harness W5
24	XXXXXXXX	no part-No. til yet	1	97081228 Wiring harness W8
25	XXXXXXXX	no part-No. til yet	1	97081244 Wiring harness W10
26	03008710	Wiring harness	1	
27	XXXXXXXX	no part-No. til yet	1	97081368 Wiring harness W15
28	03007620	Wiring harness W19	1	
29	00927610	Switch	1	
30	00927630	Cap	1	
31	00108490	Hex.bolt	2	
32	00557150	Washer	2	
33	00133830	Hex. Nut	3	
34	00903290	Tube clamp	2	
35	00961490	Self tapping screw	1	
36	00052620	Fillister-head screw	1	

Electrical equipment (97090666)

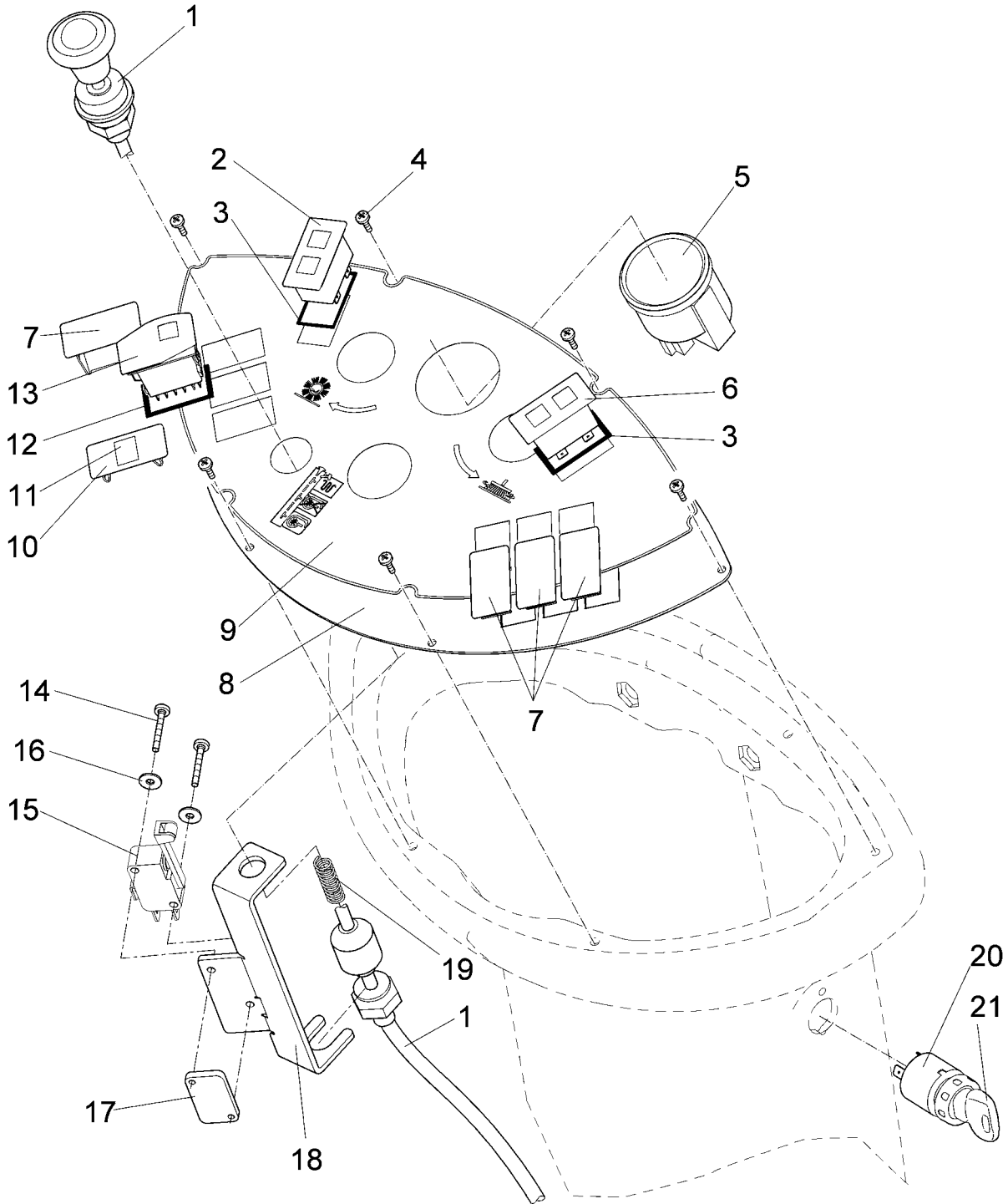




Electrical equipment (97090666)

Item	Part number	Description	Qty.	Remarks
37	00053710	Washer	1	
38	01000890	Vibration motor	1	
39	97090666BT10	Electro box	Page	34
40	03003000	Transparency	3	
41	XXXXXXXX	no part-No. til yet	1	97089973 Cable set
42	00733400	Spacer sleeve	1	
43	01006180	Pin housing	1	

Control panel (97081137)



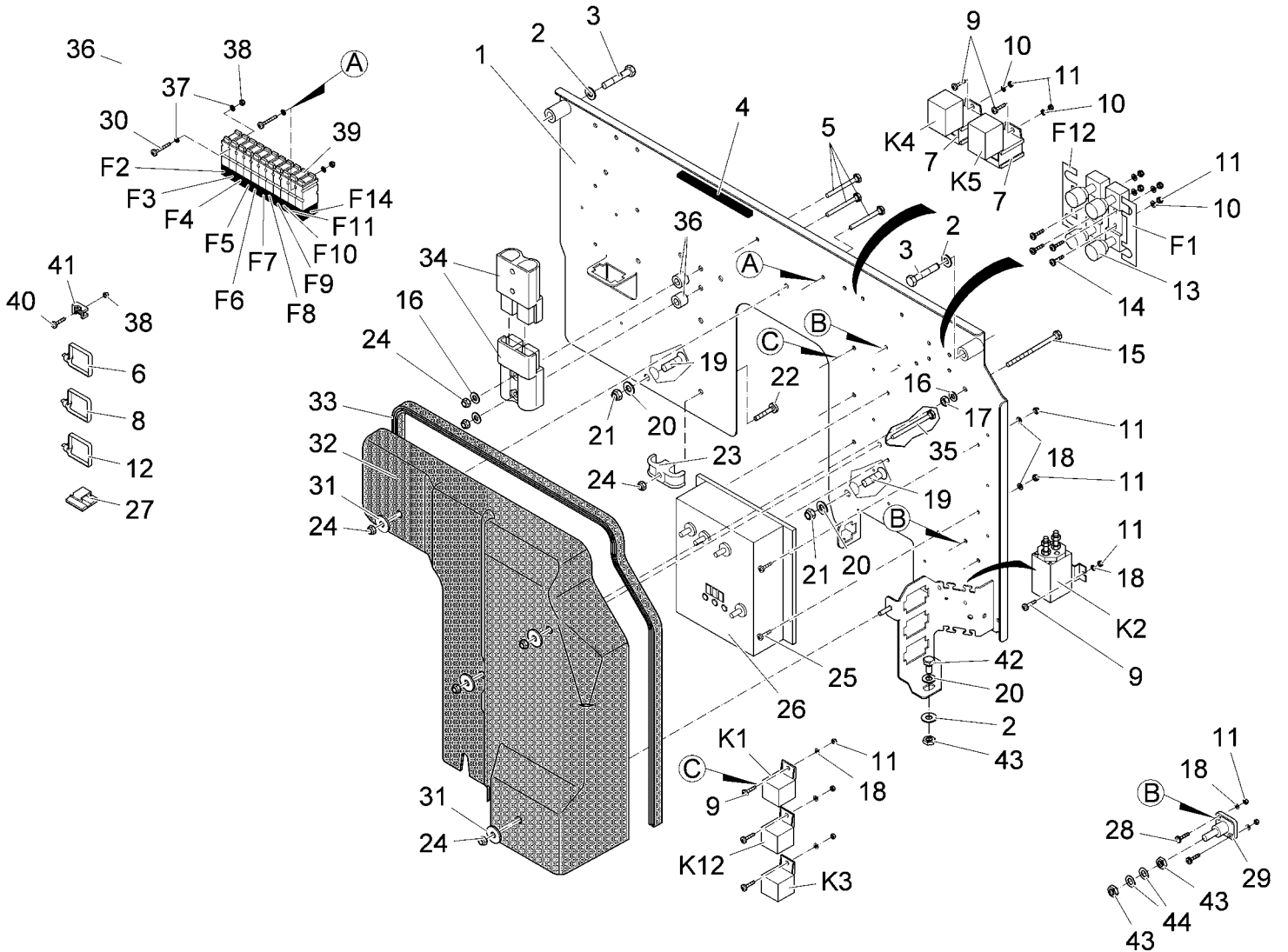
Control panel (97081137)

Item	Part number	Description	Qty.	Remarks
1	01131520	Actuating cable	1	
2	01132900	Indicator lamp shake/blower	1	
3	01131640	Gasket control-light	2	
4	00052620	Fillister-head screw	6	
5	01132910	Signal transmitter	1	
6	01132920	Indicator lamp brake	1	
7	01132930	Cap	4	
8	03004860	control panel plate	1	
9	01132940	Control panel foil	1	
10	01132950	Cover	1	
11	03008790	Backing film	1	
12	01132960	Switch gasket	1	
13	01132970	Switch horn	1	
14	00955220	Fillister-head screw	2	
15	00975510	Micro switch	1	
16	00747400	Washer	2	
17	01074840	Thread base plate	1	
18	03003450	Plate	1	
19	00902200	Pressure spring	1	
20	00021710	Key switch	1	
21	00745890	Set (2pc.) key	1	

Electro box (97090666BT10)

Assembly	Description	Page
97090666BT11	Electrobox until 30. apr. 2008	35
97090666BT12	Electrobox from 1. may 2008	40

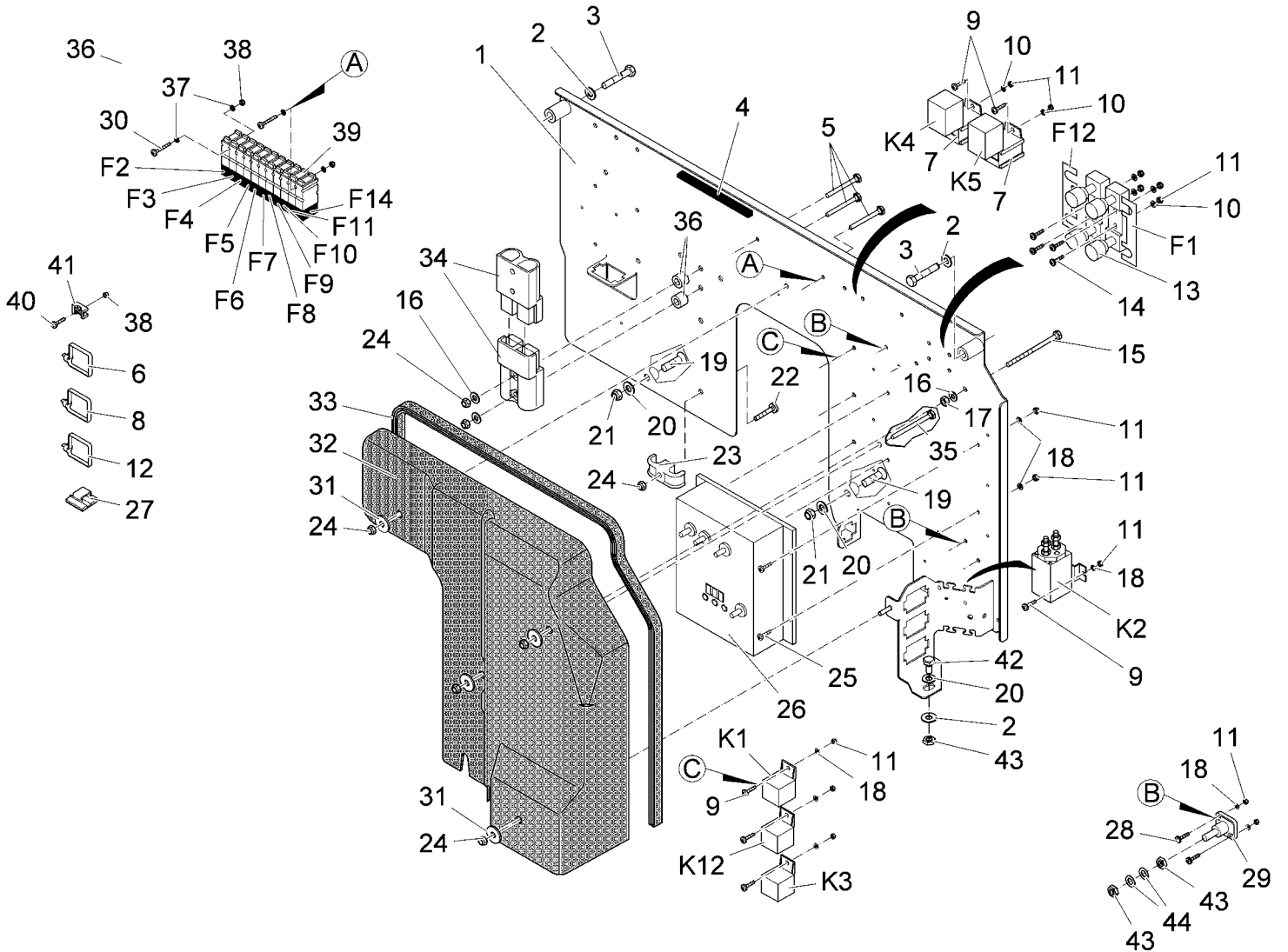
Electrobox until 30. apr. 2008 (97090666BT11)



Electrobox until 30. apr. 2008 (97090666BT11)

Item	Part number	Description	Qty.	Remarks
1	01133160	E-carrier	1	
2	00740090	Detent edged washer	3	
3	00041600	Hex.bolt	2	
4	00721090	Edge protection	120mm	
5	00053060	Hex.bolt	3	
6	00967760	Cable tie	10	
7	01018100	Housing	2	
8	00121010	Cable tie	50	
9	00052620	Fillister-head screw	11	
10	00053710	Washer	11	
11	00133830	Hex. Nut	11	
12	00121150	Cable tie	50	
13	00121440	Fuse holder	2	
14	00954570	Fillister-head screw	4	
15	00047600	Hex.bolt	1	
16	00053730	Washer	10	
17	00053330	Hexagon nut	3	
18	00053710	Washer	10	
19	00509000	Countersunk screw	2	
20	00053750	Washer	3	
21	00051510	Hexagon nut	2	
22	00537220	Fillister-head screw	1	
23	00748300	Clamp	1	
24	00051520	Hexagon nut	7	
25	00731550	Fillister-head screw	8	
26	01130760	Control system	1	
27	00020650	Cable clip	4	
28	00731550	Fillister-head screw	4	
29	00744670	Single clamp	2	
30	00101580	Fillister-head screw	2	
31	00135120	Washer	4	
32	01133190	Cover	1	
33	01132640	Edge protection	1350mm	
34	01075720	Connector	2	
35	01132650	Hexagon screw	1	
36	00974400	Bushing	2	

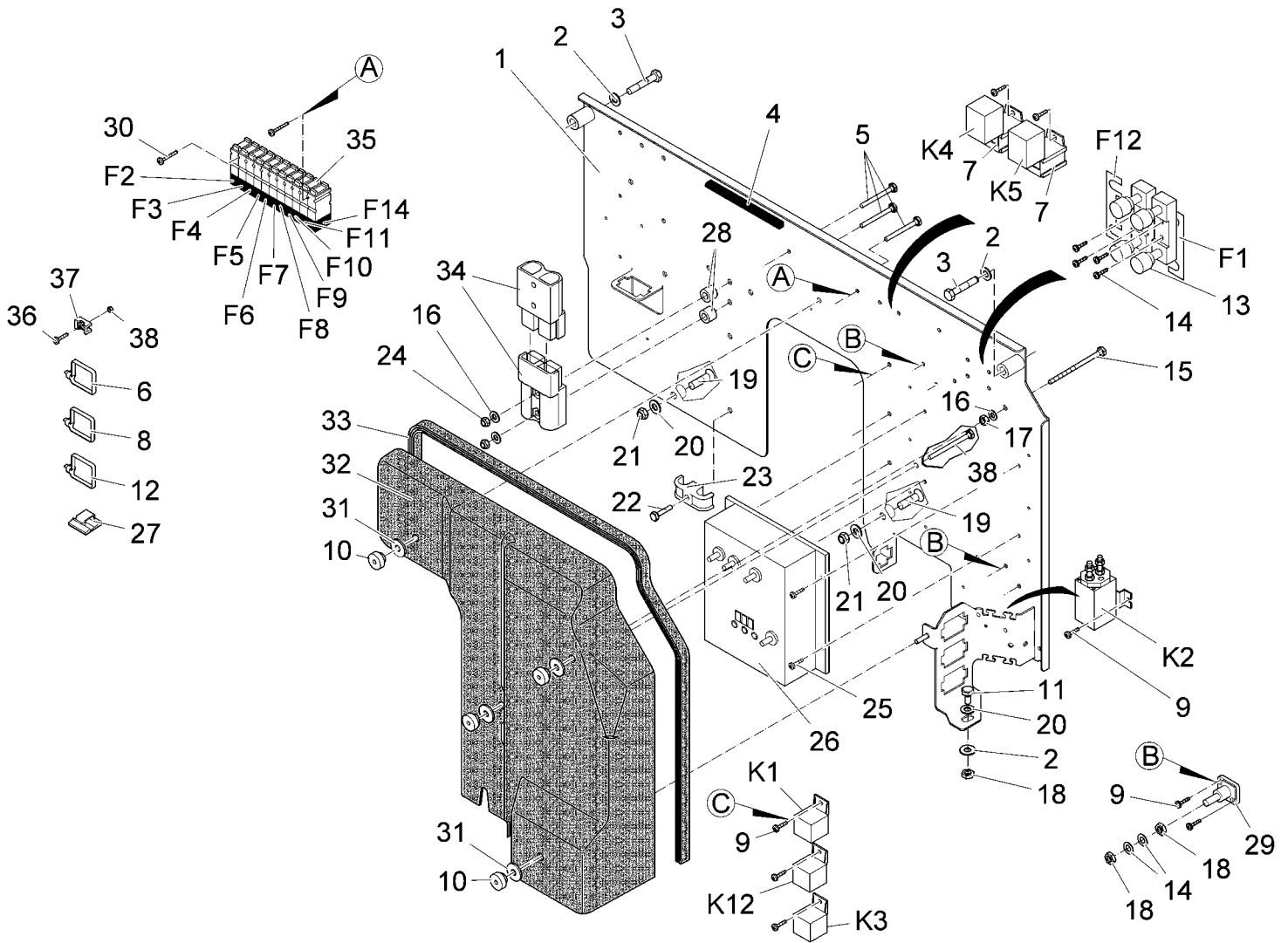
Electrobox until 30. apr. 2008 (97090666BT11)



Electrobox until 30. apr. 2008 (97090666BT11)

Item	Part number	Description	Qty.	Remarks
37	00553740	Washer	4	
38	00022200	Hex. Nut	2	
39	00733650	Fuse holder	11	
40	00535780	Fillister-head screw	12	
41	00780710	Socket	12	
42	00536320	Hex.bolt	1	
43	00046500	Hex. Nut	3	
44	00053850	Spring washer	2	
F1	01056100	Fuse	1	Travel drive control
F2	00500360	Fuse link	1	Pre-fuse (F3, F4, F5, F6, F8, F9)
F3	00733630	Fuse	1	Drive control unit control
F4	00906120	Fuse	1	Jolter control; r-h rear light
F5	00733630	Fuse	1	Horn
F6	00906120	Fuse	1	Main motor control
F7	00906120	Fuse	1	Batery charge indicator
F8	00509550	Fuse	1	Front lighting, l-h rear light
F9	00509550	Fuse	1	Lifted-up disposal control (only for 6502.60, -.63, -.64)
F10	00152060	Fuse	1	Vacuum cleaner option
F11	00152060	Fuse	1	Jolter motor
F12	01056100	Fuse	1	Main motor
F14	00906120	Fuse	1	Flash light option
K1	00965030	Relay	1	Speed reduction (Multimode)
K2	00750210	Solenoid switch	1	Main motor performance
K3	00965030	Relay	1	Main motor cut-off (discharge point)
K4	01133170	Relay	1	Time relay for filter monitoring
K5	01133180	Relay	1	Jolting
K12	00965030	Relay	1	Speed reduction (discharge point)

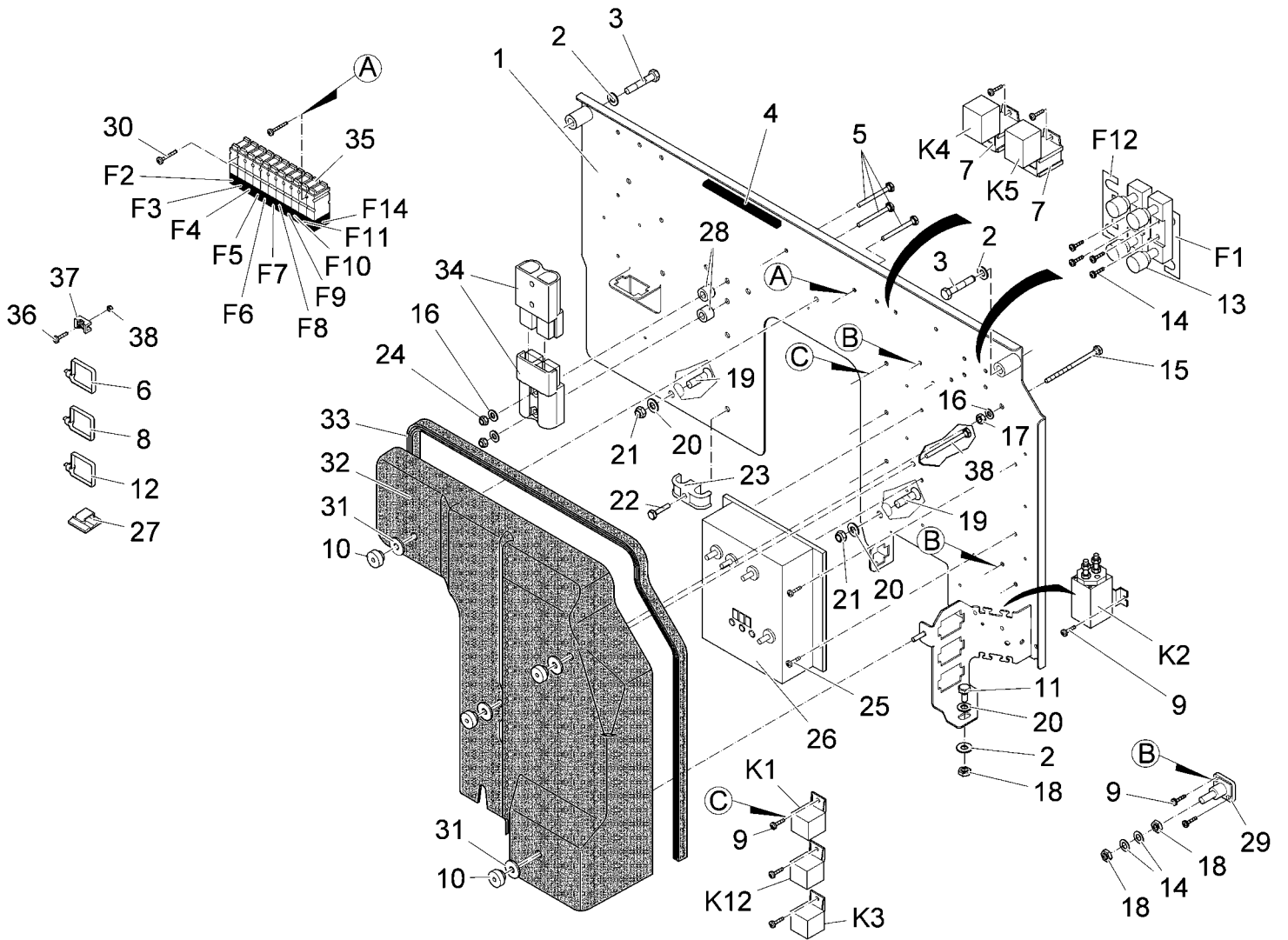
Electrobox from 1. may 2008 (97090666BT12)



Electrobox from 1. may 2008 (97090666BT12)

Item	Part number	Description	Qty.	Remarks
1	01133160	E-carrier	1	
2	00740090	Detent edged washer	3	
3	00041600	Hex.bolt	2	
4	00721090	Edge protection	120mm	
5	00053060	Hex.bolt	3	
6	00967760	Cable tie	10	
7	01018100	Housing	2	
8	00121010	Cable tie	50	
9	01112160	Screw	11	
10	00903210	Knurled nut	4	
11	00536320	Hex.bolt	1	
12	00121150	Cable tie	50	
13	00121440	Fuse holder	2	
14	00053850	Spring washer	4	
15	00047600	Hex.bolt	1	
16	00053730	Washer	10	
17	00053330	Hexagon nut	3	
18	00046500	Hex. Nut	5	
19	00101500	Countersunk screw	2	
20	00053750	Washer	3	
21	00051510	Hexagon nut	2	
22	00133130	Screw	1	
23	00748300	Clamp	1	
24	00051520	Hexagon nut	2	
25	00501420	Screw	8	
26	01130760	Control system	1	
27	00020650	Cable clip	4	
28	00974400	Bushing	2	
29	00744670	Single clamp	2	
30	01110770	Screw	2	
31	00135120	Washer	4	
32	01133190	Cover	1	
33	01132640	Edge protection	1350mm	
34	01075720	Connector	2	
35	00733650	Fuse holder	11	
36	01110570	Screw	12	

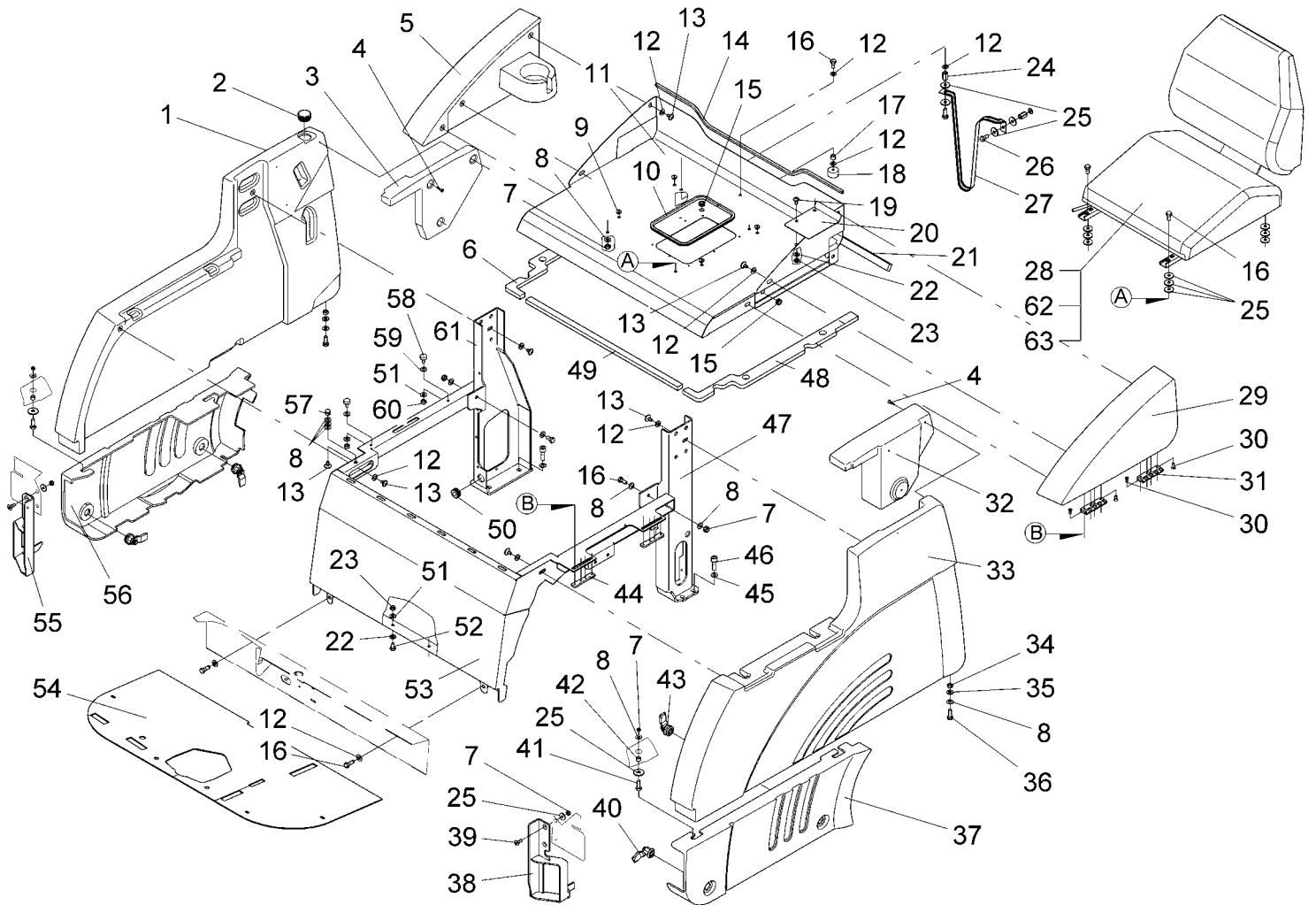
Electrobox from 1. may 2008 (97090666BT12)



Electrobox from 1. may 2008 (97090666BT12)

Item	Part number	Description	Qty.	Remarks
37	00780710	Socket	12	
38	01132650	Hexagon screw	1	
F1	01056100	Fuse	1	Travel drive control
F2	00500360	Fuse link	1	Pre-fuse (F3, F4, F5, F6, F8, F9)
F3	00733630	Fuse	1	Drive control unit control
F4	00906120	Fuse	1	Jolter control; r-h rear light
F5	00733630	Fuse	1	Horn
F6	00906120	Fuse	1	Main motor control
F7	00906120	Fuse	1	Batery charge indicator
F8	00509550	Fuse	1	Front lighting, l-h rear light
F9	00509550	Fuse	1	Lifted-up disposal control (only for 6502.60, -.63, -.64)
F10	00152060	Fuse	1	Vacuum cleaner option
F11	00152060	Fuse	1	Jolter motor
F12	01056100	Fuse	1	Main motor
F14	00906120	Fuse	1	Flash light option
K1	00965030	Relay	1	Speed reduction (Multimode)
K2	00750210	Solenoid switch	1	Main motor performance
K3	00965030	Relay	1	Main motor cut-off (discharge point)
K4	01133170	Relay	1	Time relay for filter monitoring
K5	01133180	Relay	1	Jolting
K12	00965030	Relay	1	Speed reduction (discharge point)

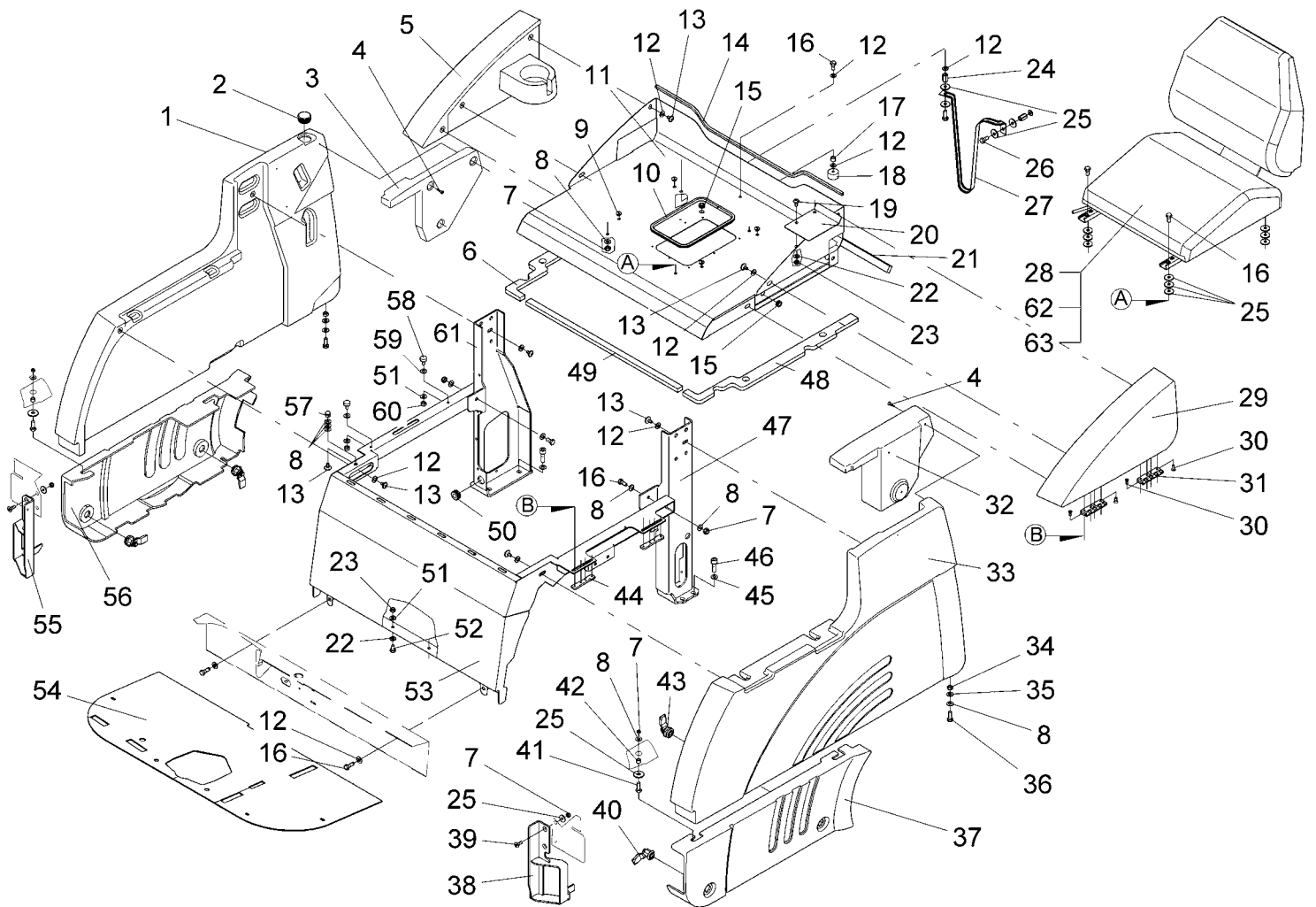
Covering - Seat (97081434)



Covering - Seat (97081434)

Item	Part number	Description	Qty.	Remarks
1	01133300	Covering R.H. red	1	
2	01066690	Plug	1	
3	01133320	Covering R.H. red	1	
4	01063420	Self tapping screw	6	
5	01133330	Hood R.H. red	1	
6	01133340	gasket R.H.	1	
7	00051510	Hexagon nut	9	
8	00053750	Washer	24	
9	00906060	Drain plug	4	
10	00721090	Edge protection	650mm	
11	03005450	Seat flap	1	
12	00740080	Washer	18	
13	01133350	Lens flange screw	13	
14	00721090	Edge protection	770mm	
15	00740360	Cable sleeve	3	
16	00077110	Hexagon screw	8	
17	00733400	Spacer sleeve	4	
18	00733560	Bumper	1	
19	00102520	Screw	2	
20	01133360	Plate	1	
21	01031010	Foam rubber self sticking	610mm	
22	00053730	Washer	4	
23	00051520	Hexagon nut	4	
24	00744340	Hex. Nut	2	
25	00042900	Washer	20	
26	00053080	Hexagon screw	4	
27	01055740	Belt	1	
28	01071360	Seat	1	
29	01133370	Hood L.H. red	1	
30	01133380	Countersunk screw	16	
31	00029230	Hinge	4	
32	01133390	Covering L.H. red	1	
33	01133400	Covering L.H. red	1	
34	00053350	Hexagon nut	6	
35	00740310	Washer	6	
36	00054690	Hexagon screw	6	

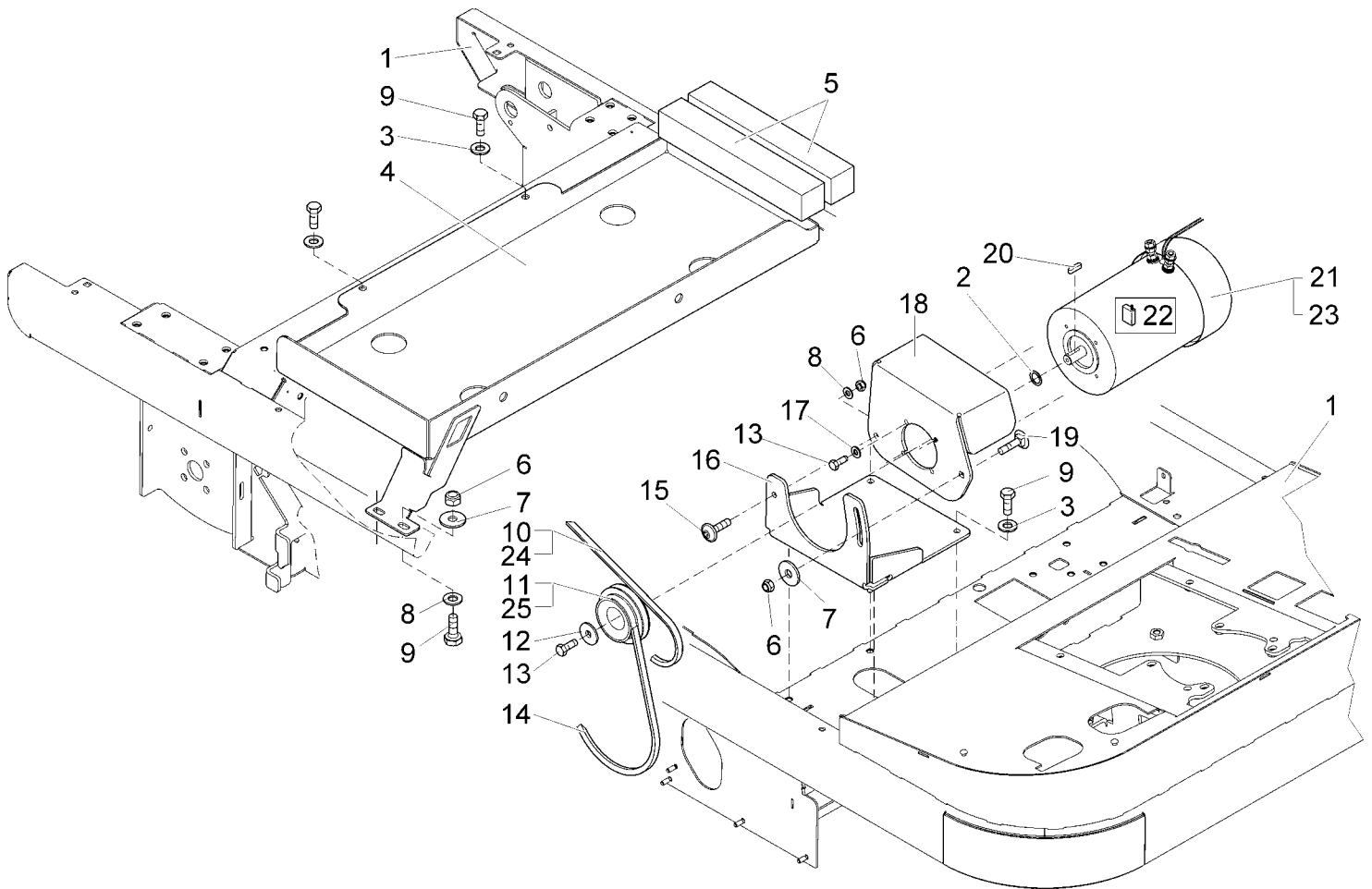
Covering - Seat (97081434)



Covering - Seat (97081434)

Item	Part number	Description	Qty.	Remarks
37	01130250	Covering, L.H.	1	
38	01133410	Retainer L.H.	1	
39	00059080	Countersunk screw	4	
40	00121730	Sash fastener	2	
41	00053110	Hexagon screw	4	
42	00733400	Spacer sleeve	1	
43	01130270	Casement fastener	2	
44	01072970	Adjusting latch	2	
45	00870090	Detent edged washer	8	
46	00135030	Socket head screw	8	
47	01133420	Support	1	
48	01133430	gasket L.H.	1	
49	01031010	Foam rubber self sticking	740mm	
50	00555440	Cable sleeve	1	
51	00730940	Detent edged washer	4	
52	00104500	Hexagon screw	2	
53	03005460	Support	1	
54	01133440	Rubber mat	1	
55	01133450	Retainer R.H.	1	
56	01130260	Covering, R.H.	1	
57	00041790	Cap nut	1	
58	00127470	Buffer	2	
59	00856290	Washer	2	
60	00053330	Hexagon nut	2	
61	01133460	Support	1	
62	01073290	Micro switch	1	
63	03021700	Seat Switch harness	1	Chair cushion SC76 incl. seat switch 01073290

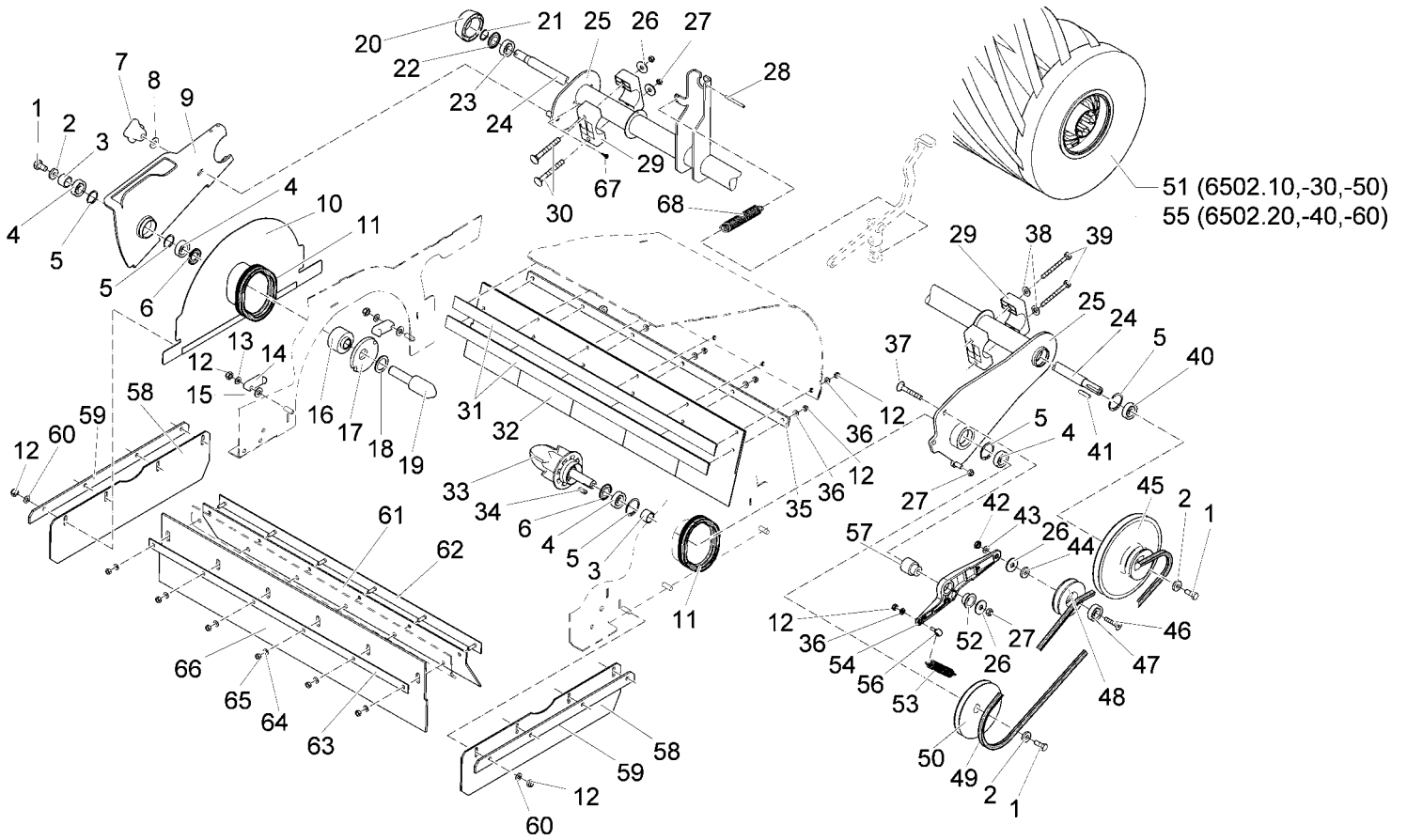
Motor - Chassis (97077259)



Motor - Chassis (97077259)

Item	Part number	Description	Qty.	Remarks
1	03003360	Chassis, cpl	1	
2	00152530	Adjusting washer	1	
3	00740090	Detent edged washer	7	
4	01133110	Battery console	1	
5	01133120	Block of wood	2	
6	00051510	Hexagon nut	4	
7	00042900	Washer	3	
8	00053750	Washer	3	
9	00053090	Hexagon screw	8	
10	01131280	Drive belt	1	until September 2005
11	01131290	Drive belt pulley	1	until September 2005
12	00874340	Washer	1	
13	00053010	Hex.bolt	5	
14	01131300	Narrow V-belt	1	
15	01092910	Lens flange screw	1	
16	01135570	Bracket	1	
17	00730940	Detent edged washer	4	
18	03003390	Holder	1	
19	00864520	Screw	1	
20	00054260	Feather key	1	
21	01133130	Engine	1	
22	01058650	Carbon brush	4	
23	01133140	Temperature switch	1	
24	01134820	V-belt	1	from October 2005
25	01135100	belt pulley	1	from October 2005

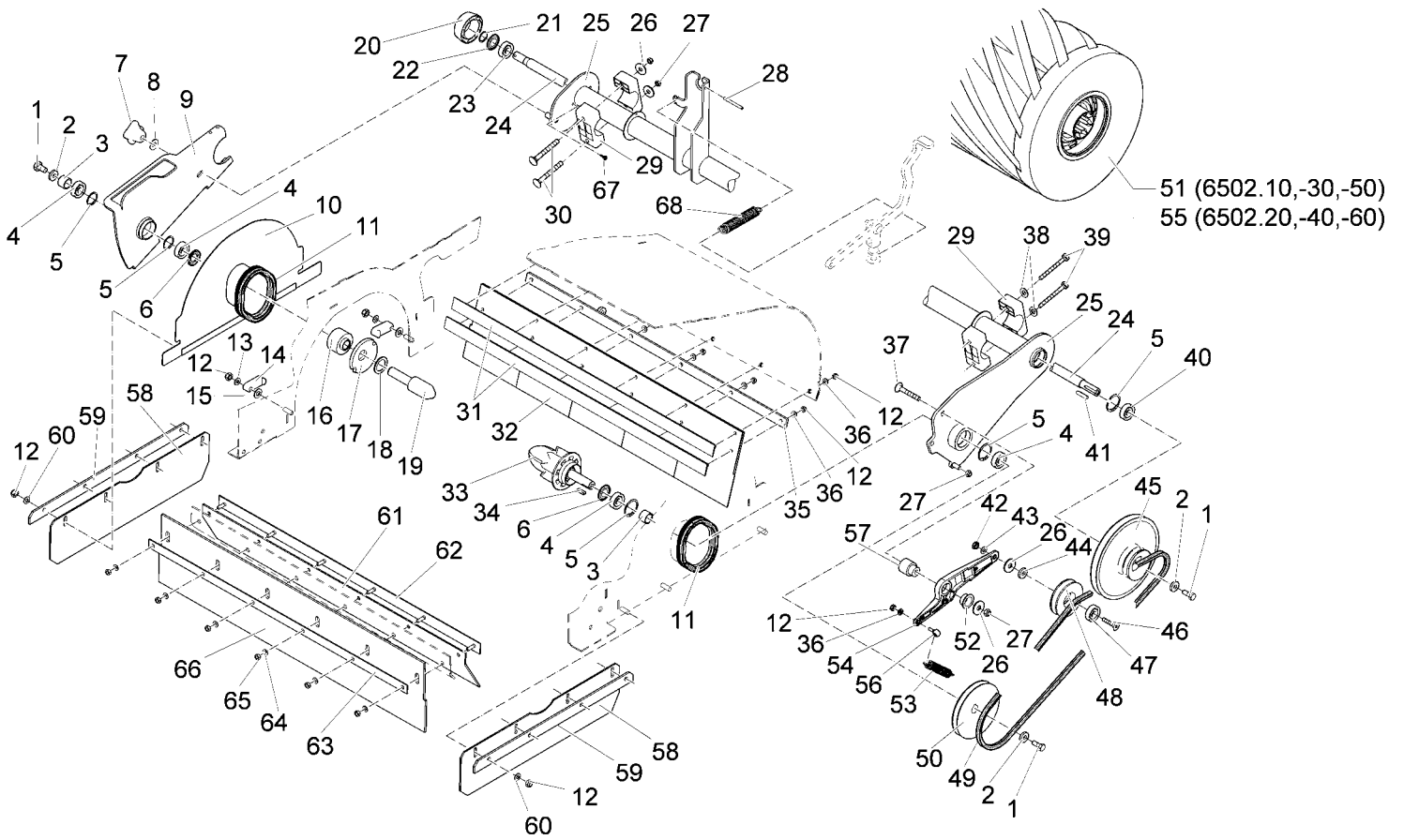
Group of main sweeper roller (97077192-1)



Group of main sweeper roller (97077192-1)

Item	Part number	Description	Qty.	Remarks
1	00053080	Hexagon screw	3	
2	00695300	Washer	3	
3	00509180	sleeve	2	
4	00106300	Deep groove ball bearing	4	
5	00101660	Retaining ring	5	
6	00102410	Ring	2	
7	01179360	Star handle yellow	1	
8	00740290	Detent edged washer	1	
9	01130830	Brush rocker, L.H.	1	
10	01130840	Side shield	1	
11	00681570	Edge protection	620mm	
12	00051520	Hexagon nut	25	
13	00053840	Spring washer	2	
14	00968190	Toggle	2	
15	00053750	Washer	1	
16	01130850	Gasket	1	
17	01130860	Flexible washer	1	
18	00135560	Supporting ring	1	
19	01130870	Carrier	1	
20	01130880	Centering brush	1	
21	00022340	Retaining ring	1	
22	00104480	Ring	1	
23	00706360	Deep groove ball bearing	1	
24	01130890	Shaft	1	
25	03003310	Torque shaft	1	
26	00042900	Washer	4	
27	00051510	Hexagon nut	4	
28	00861020	Dowel pin	1	
29	01130610	Bearing	4	
30	01130900	Cup head square neck bolt	2	
31	01130910	Sheet metal	2	
32	01130800	Brush apron, front	1	
33	01130920	Drag element	1	
34	00054260	Feather key	1	
35	01130930	Sheet metal	1	
36	00053730	Washer	12	

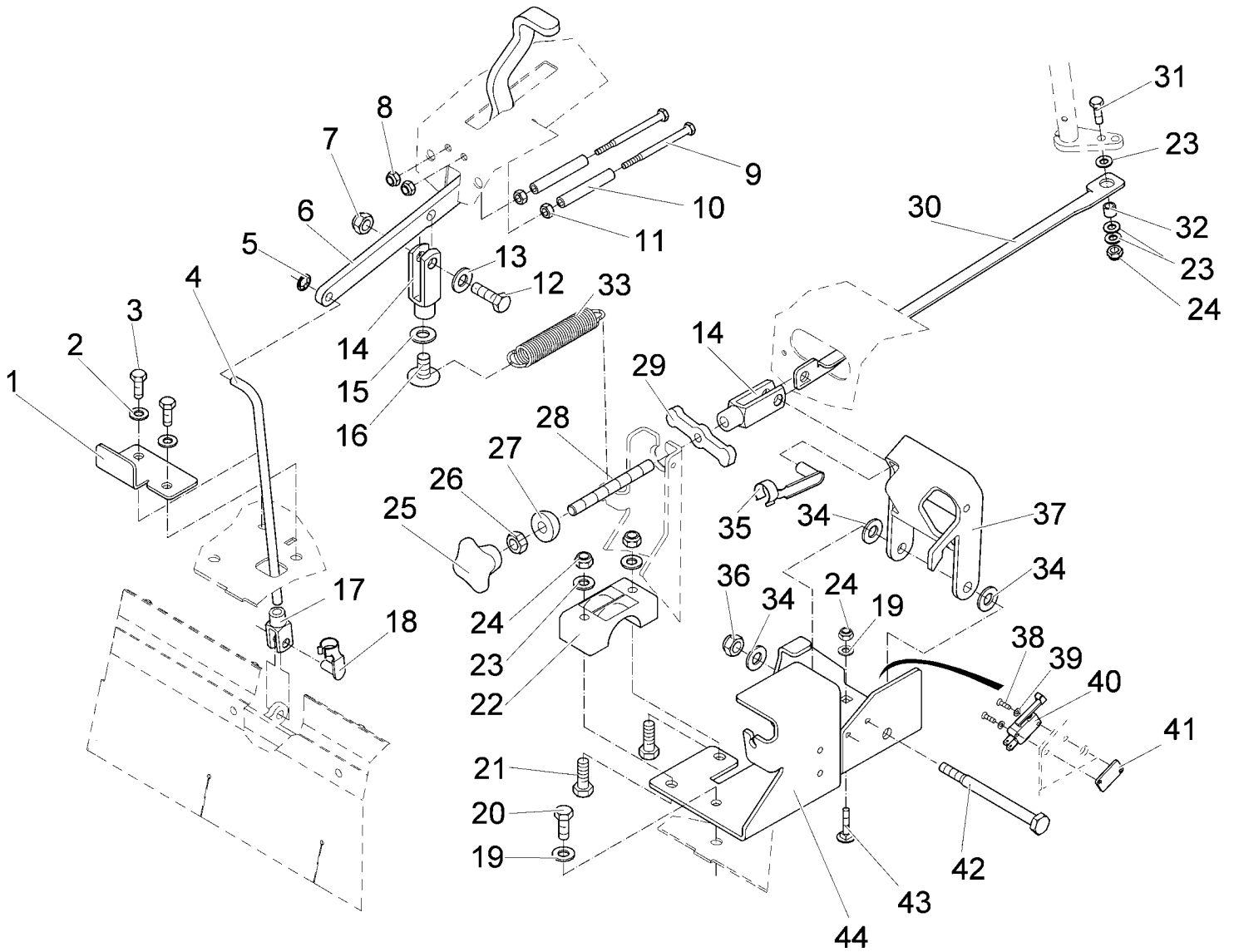
Group of main sweeper roller (97077192-1)



Group of main sweeper roller (97077192-1)

Item	Part number	Description	Qty.	Remarks
37	01130940	Cup head square neck bolt	1	
38	00740080	Washer	2	
39	00557600	Hex.bolt	2	
40	00538360	Deep groove ball bearing	1	
41	00107380	Feather key	1	
42	00046500	Hex. Nut	1	
43	00740310	Washer	1	
44	01130950	Bushing	1	
45	01130960	Drive belt pulley	1	
46	00509000	Countersunk screw	1	
47	00126330	Deep groove ball bearing	1	
48	01130970	Pulley	1	
49	01130980	Narrow drive belt	1	
50	01130990	Belt pulley	1	
51	99651100	Spare main broom PA	1	for 6502.10,-30,-50
52	01130470	Slide bearing bush	1	
53	01131000	Pull spring	1	
54	01113820	Idler arm	1	
55	99651000	Spare main broom PES	1	for 6502.20,-40,-60
56	01111020	Eye bolt	1	
57	01131030	Bolt	1	
58	01130820	Brush apron	2	
59	01131050	Strip	2	
60	00053730	Washer	8	
61	01131040	Brush apron, rear	1	
62	01130910	Sheet metal	1	
63	00243450	Fitting strip	1	
64	00740280	Washer	6	
65	00053330	Hexagon nut	6	
66	01130810	Brush apron, rear	1	
67	00961490	Self tapping screw	2	
68	01135540	Tension spring	1	

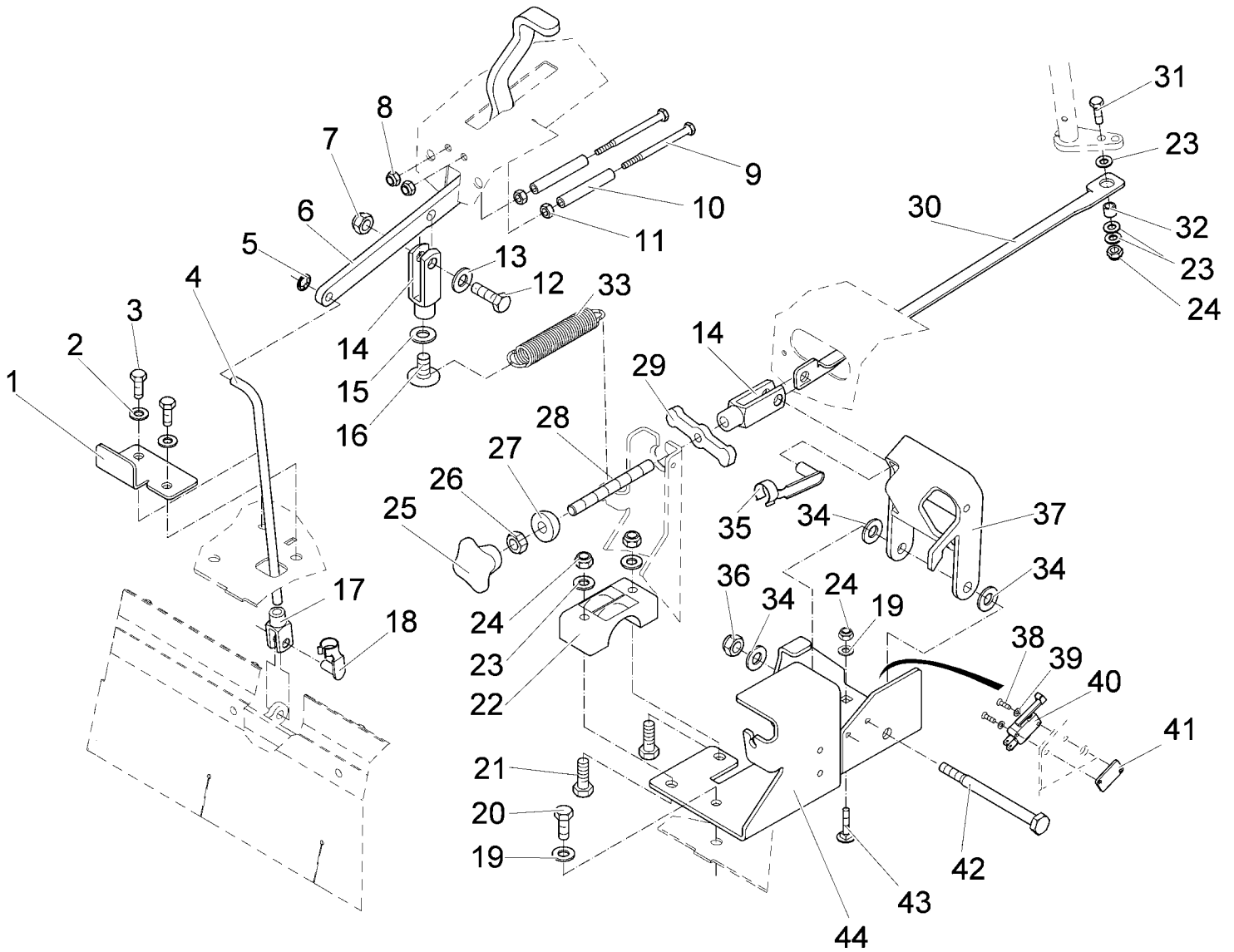
Manipulation for brush apron - Lifter for sweeping (97077192-2)



Manipulation for brush apron - Lifter for sweeping (97077192-2)

Item	Part number	Description	Qty.	Remarks
1	01131320	Stop angel	1	
2	00740090	Detent edged washer	2	
3	00053080	Hexagon screw	2	
4	01131330	Bar	1	
5	00854420	Thrust washer	1	
6	01131340	Pedal bar	1	
7	00051500	Hexagon nut	1	
8	00051520	Hexagon nut	2	
9	00526320	Hex.bolt	2	
10	01064890	Hose	140mm	
11	00053330	Hexagon nut	2	
12	00123690	Hex.bolt	1	
13	00130290	Adjusting washer	1	
14	00925430	Fork yoke	2	
15	00740290	Detent edged washer	1	
16	01131350	Lens head screw	1	
17	00151440	Fork yoke	1	
18	00151400	Bolt	1	
19	00740080	Washer	2	
20	00053090	Hexagon screw	1	
21	00041600	Hex.bolt	2	
22	01130610	Bearing	1	
23	00053750	Washer	5	
24	00051510	Hexagon nut	4	
25	01179360	Star handle yellow	1	
26	01050160	Hex. Nut	1	
27	01131360	Tap	1	
28	01131370	Spindle	1	
29	01131380	Counterling latch	1	
30	01131390	Draw angel	1	
31	00054690	Hexagon screw	1	
32	00733400	Spacer sleeve	1	
33	01135540	Tension spring	1	
34	00053760	Washer	4	
35	00925420	Bolt	1	
36	00132880	Hexagon nut	1	

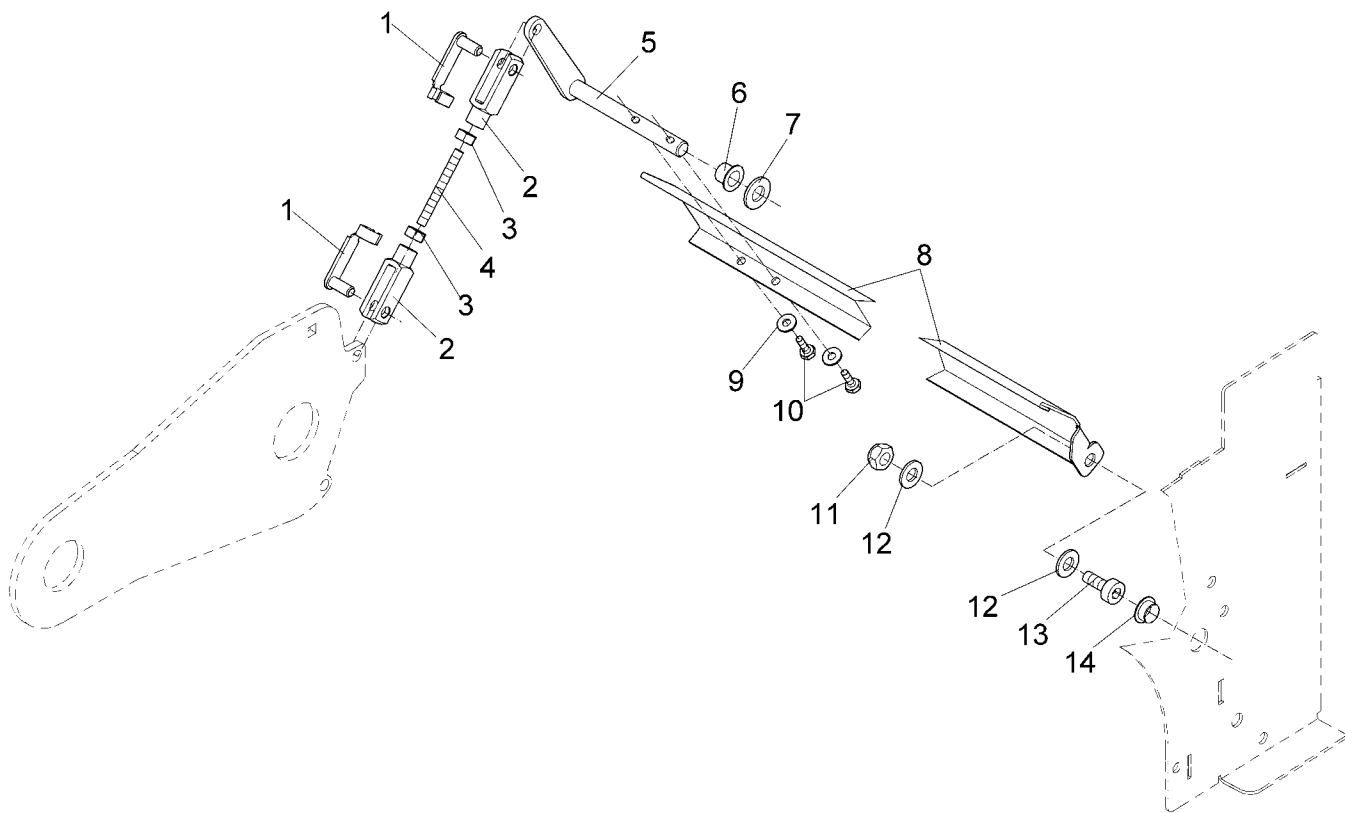
Manipulation for brush apron - Lifter for sweeping (97077192-2)



Manipulation for brush apron - Lifter for sweeping (97077192-2)

Item	Part number	Description	Qty.	Remarks
37	03003400	Angel	1	
38	00955220	Fillister-head screw	2	
39	00747400	Washer	2	
40	00975510	Micro switch	1	
41	01074840	Thread base plate	1	
42	00109460	Hex.bolt	1	
43	00878410	Screw	2	
44	03003410	Retainer	1	

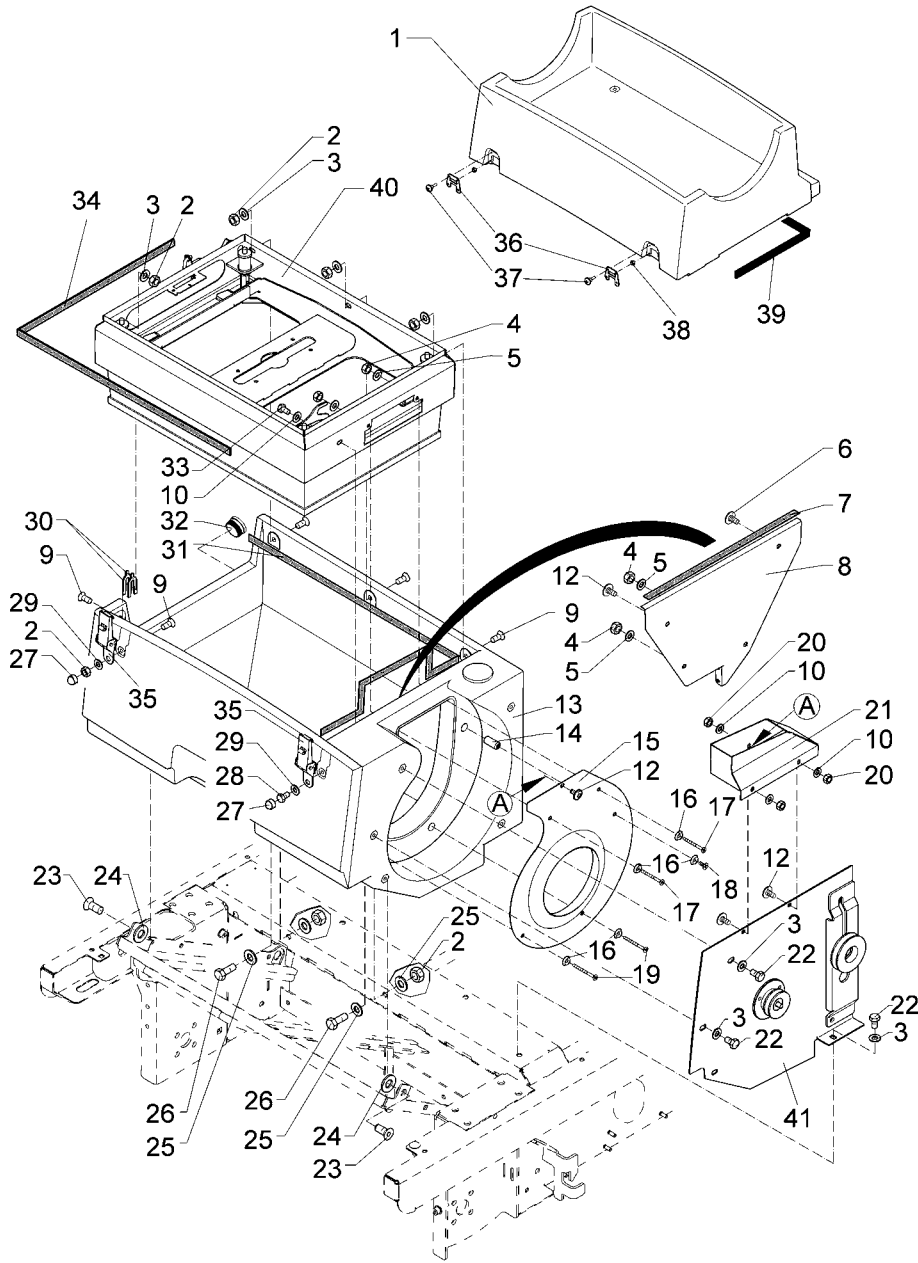
Broom wear compensation (97079263)



Broom wear compensation (97079263)

Item	Part number	Description	Qty.	Remarks
1	00706030	Bolt	2	
2	00027110	Fork yoke	2	
3	00053350	Hexagon nut	2	
4	00902600	Threaded bolt	1	
5	03004890	lever	1	
6	01071440	Plain bearing bush	1	
7	00053770	Washer	1	
8	03004900	plate	1	
9	00730940	Detent edged washer	2	
10	00053010	Hex.bolt	2	
11	00132880	Hexagon nut	1	
12	00053760	Washer	2	
13	00108590	Socket head screw	1	
14	01055290	Plain bearing bush	1	

Dust extraction (97085963)



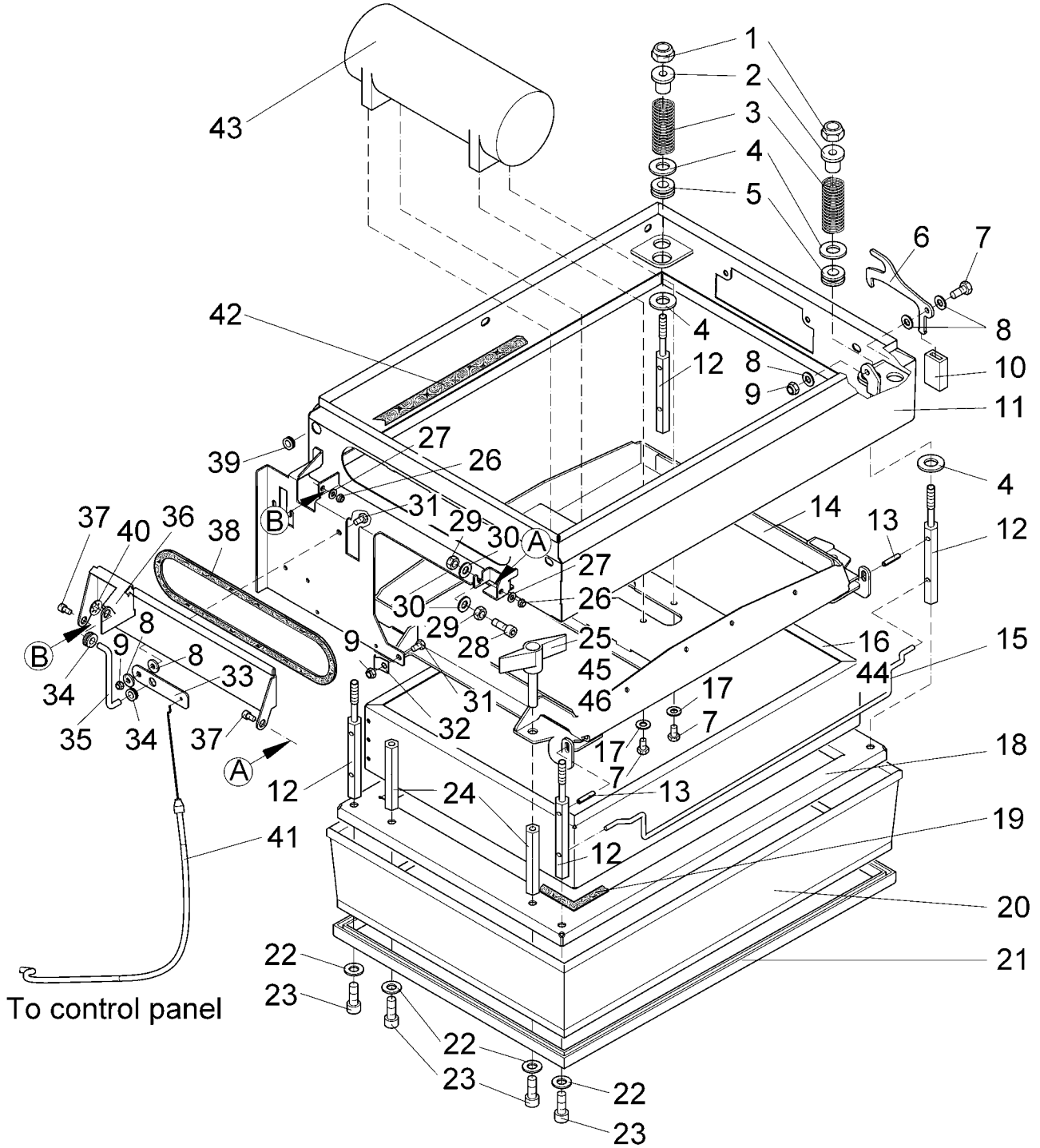
Dust extraction (97085963)

Item	Part number	Description	Qty.	Remarks
1	01133080	Filter cover red	1	
2	00053350	Hexagon nut	5	
3	00740090	Detent edged washer	9	
4	00053330	Hexagon nut	4	
5	00740280	Washer	4	
6	01092780	Lens flange screw	1	
7	00420290	Gasket Tesamoll	390mm	
8	03003430	Plate	1	
9	00903480	Countersunk screw	5	
10	00730940	Detent edged washer	4	
12	01131450	Filister head flange screw	4	
13	03003440	Housing	1	
14	01131460	Threaded bushing	1	
15	01131470	Nozzle	1	
16	00157690	Annular plate	5	
17	00109500	Countersunk screw	2	
18	00871440	Countersunk screw	1	
19	00120130	Countersunk screw	2	
20	00135790	Hexagon nut	3	
21	01131480	Air scoop	1	
22	00864230	Hex.bolt	3	
23	00059080	Countersunk screw	2	
24	00070170	Washer	2	
25	00042900	Washer	2	
26	00133700	Hexagon screw	2	
27	00131610	Lens cap	2	
28	00151810	Hexagon screw	1	
29	00053750	Washer	2	
30	01131490	Sheet metal	2	
31	00420290	Gasket Tesamoll	1060mm	
32	01131500	Plug	1	
33	00104500	Hexagon screw	1	
34	01130200	Gasket	940mm	
35	01133090	Catch	2	
36	01133100	Plate	2	
37	00905520	Screw	8	

Dust extraction (97085963)

Item	Part number	Description	Qty.	Remarks
38	00053320	Hex. Nut	4	
39	00752350	Edge protection	1740mm	
40	97076863 6502-20	Filter installation	Page	64
41	97088546	Fan bearing	Page	68

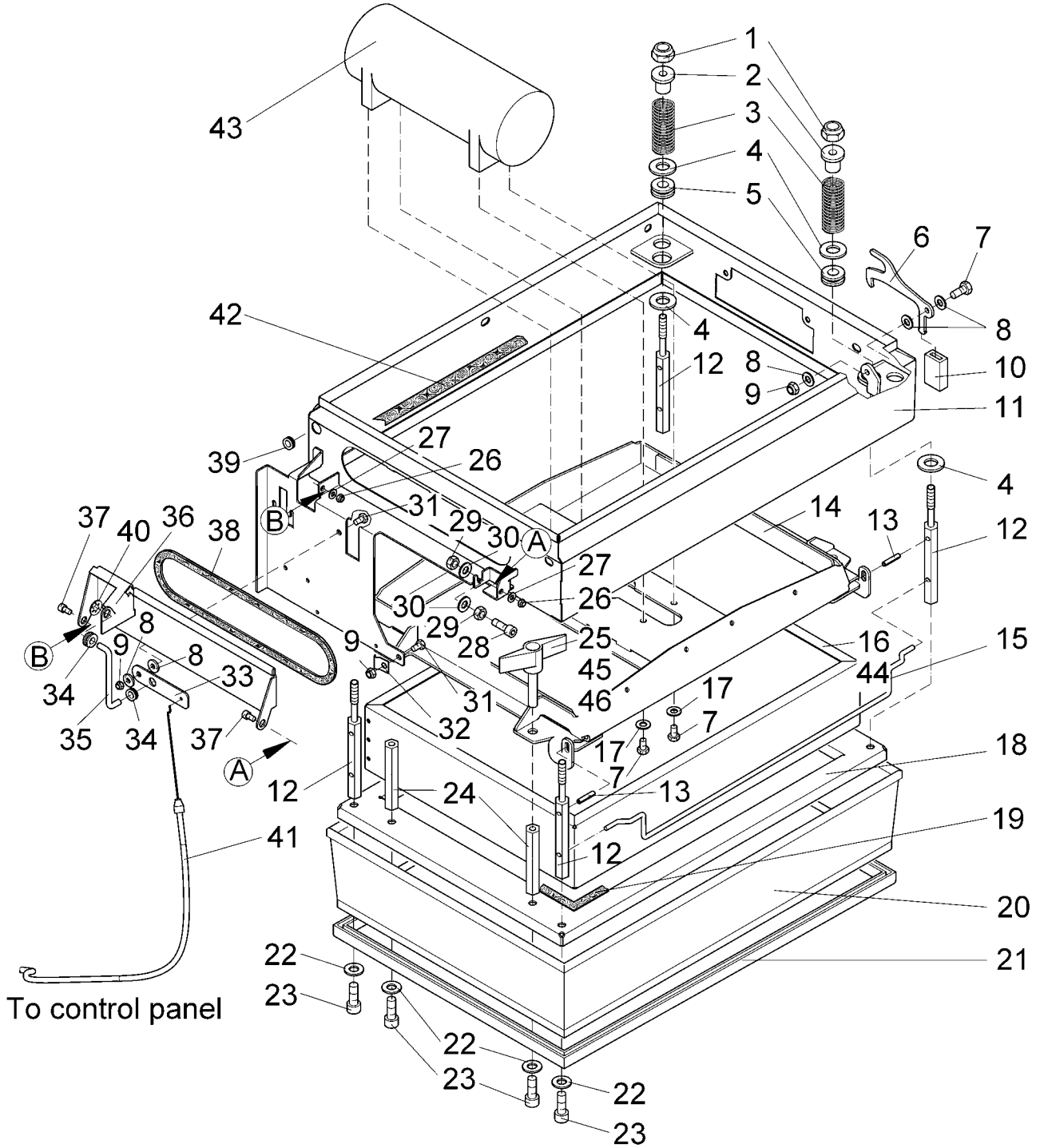
Filter installation (97076863 6502-20)



Filter installation (97076863 6502-20)

Item	Part number	Description	Qty.	Remarks
1	00051510	Hexagon nut	4	
2	01131100	Bolt	4	
3	01074080	Cyl.compression spring	4	
4	00042900	Washer	8	
5	00027190	Cable sleeve	4	
6	01131110	Sheet metal	1	
7	00053020	Hexagon screw	5	
8	00135120	Washer	5	
9	00051520	Hexagon nut	3	
10	00451220	Hose	20mm	
11	01131410	Frame	1	
12	01131120	Hexagon	4	
13	00045620	Dowel pin	2	
14	01131130	Frame	1	
15	01131140	Handle	1	
16	01130750	Plate filter	1	
17	00730940	Detent edged washer	4	
18	01131150	U-panel	1	
19	00420290	Gasket Tesamoll	1470mm	
20	01131160	Annular filter	1	
21	00161240	Edge protection	1730mm	
22	00740310	Washer	8	
23	00045540	Cylinder head screw	8	
24	01131170	Hexagon	4	
25	00905560	Wing	4	
26	01017660	Hex. Nut	2	
27	00958770	Washer	1	
28	00071450	Socket head screw	1	
29	00053350	Hexagon nut	2	
30	00053750	Washer	1	
31	00053010	Hex.bolt	2	
32	00534470	Clamp	1	
33	01131180	Mounting link	1	
34	01131190	Grommet	2	
35	01131200	Push rod	1	
36	01131210	Air vent	1	

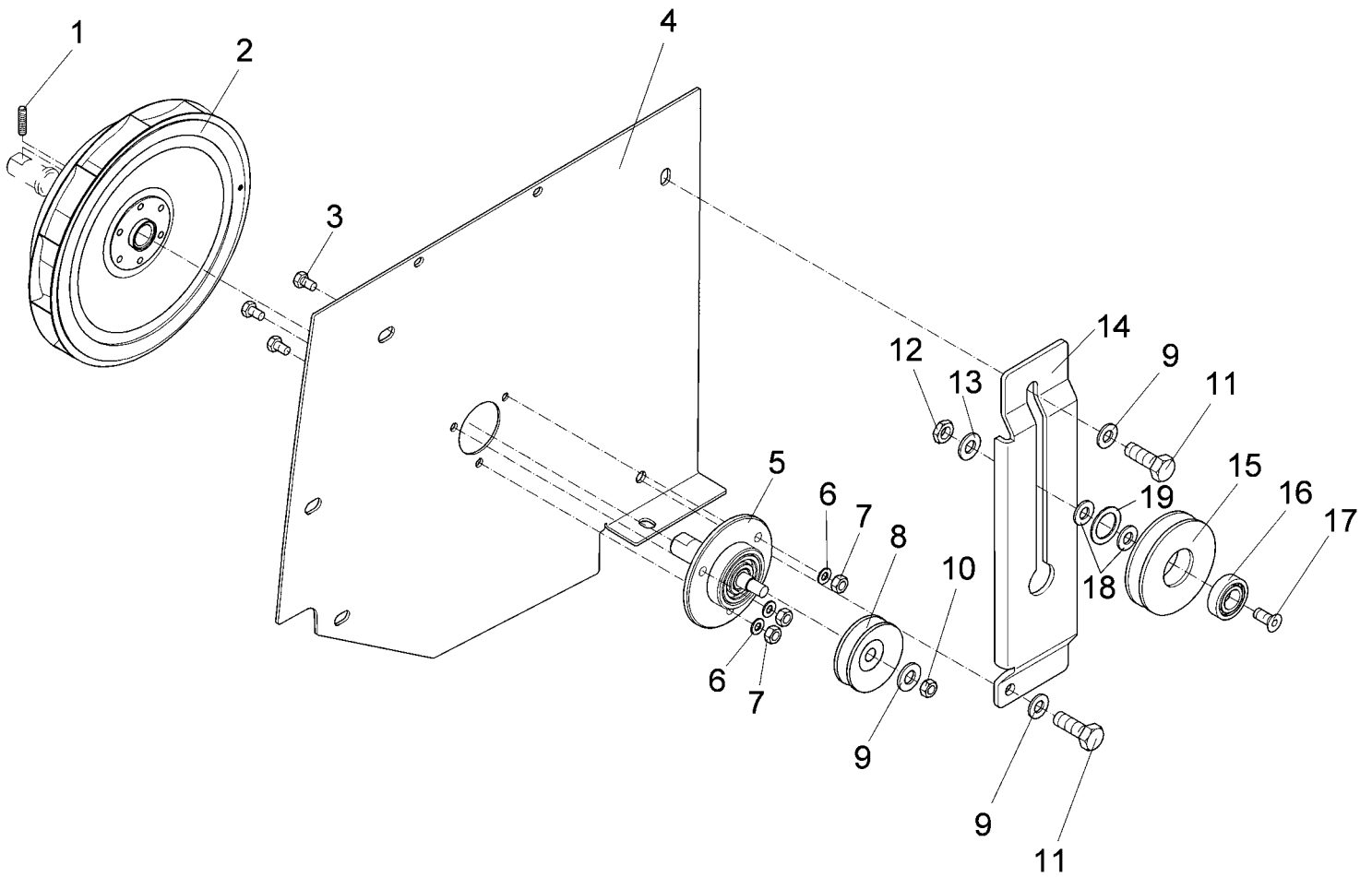
Filter installation (97076863 6502-20)



Filter installation (97076863 6502-20)

Item	Part number	Description	Qty.	Remarks
37	01131440	Socket head cap screw	2	
38	01075290	Gasket TESAMOLL	610mm	
39	00740360	Cable sleeve	1	
40	00023290	Thrust washer	1	
41	01131520	Actuating cable	1	
42	00830680	Hose	1810mm	
43	01000890	Vibration motor	1	
44	01133000	Special plate filter	1	
45	01130170	Bush	4	
46	01133210	Locknut	4	

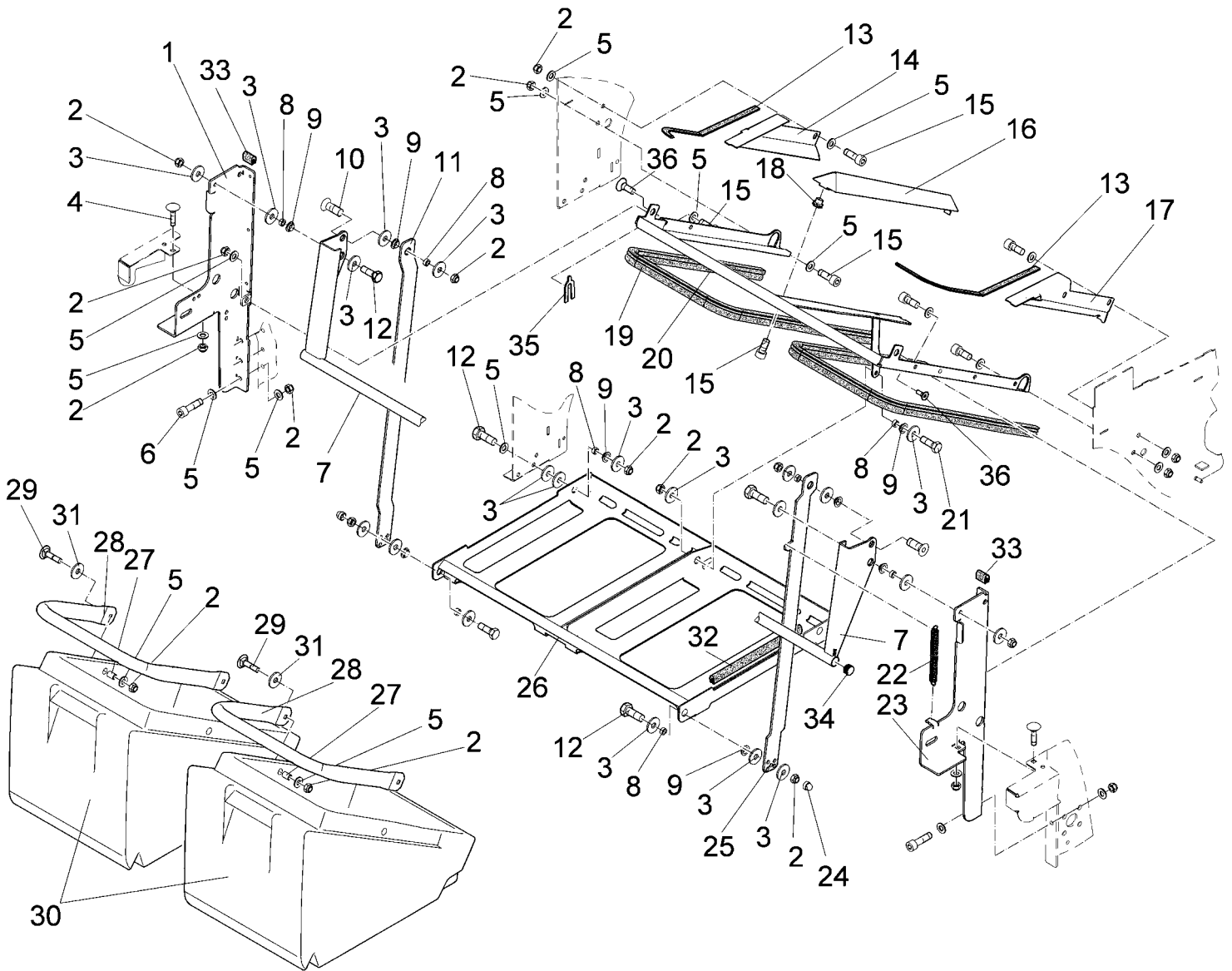
Fan bearing (97088546)



Fan bearing (97088546)

Item	Part number	Description	Qty.	Remarks
1	00506780	Threaded pin	1	
2	01131220	Rotating fan	1	
3	00053010	Hex.bolt	3	
4	03003350	Plate	1	
5	01131230	fan bearing	1	
6	00740280	Washer	3	
7	00158350	Hex. Nut	3	
8	01110870	Belt pulley	1	
9	00740090	Detent edged washer	3	
10	00022330	Hex. Nut	1	
11	00553690	Hex.bolt	2	
12	00074710	Hex. Nut	2	
13	00740290	Detent edged washer	1	
14	01131270	Sheet metal	1	
15	XXXXXXXX	no part-No. til yet	1	90467481 Pulley
16	00126330	Deep groove ball bearing	1	
17	00021800	Countersunk screw	1	
18	00053760	Washer	2	
19	00130290	Adjusting washer	1	

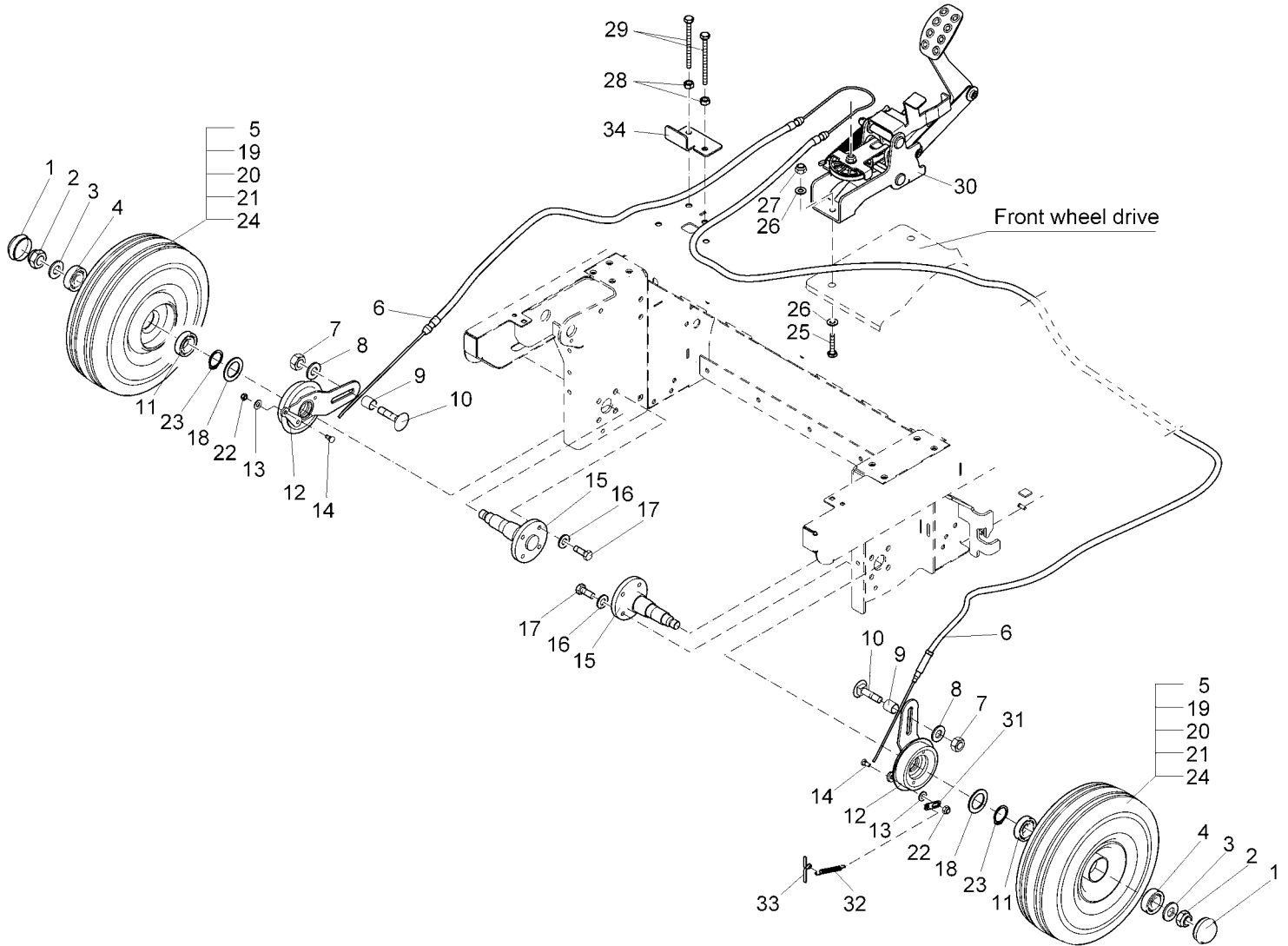
Dirt hopper - Dirt hopper lifter (97076822)



Dirt hopper - Dirt hopper lifter (97076822)

Item	Part number	Description	Qty.	Remarks
1	01130050	Holder, L.H.	1	
2	00051510	Hexagon nut	26	
3	00042900	Washer	24	
4	00878410	Screw	2	
5	00053750	Washer	37	
6	00103300	Socket head screw	6	
7	01130060	Handle	1	
8	01130070	Bush	9	
9	01130080	Slide bearing bush	9	
10	00101500	Countersunk screw	2	
11	01130090	Sheet metal	1	
12	00053100	Hexagon screw	6	
13	01130200	Gasket	1240mm	
14	01130300	Sheet metal L.H.	1	
15	00045540	Cylinder head screw	11	
16	01130100	Plate filter	1	
17	01130310	Sheet metal, R.H.	1	
18	01130110	Nut	1	
19	00750430	Edge protection	2510mm	
20	01130120	Sealing plate	1	
21	00077110	Hexagon screw	1	
22	01130130	Pull spring	1	
23	01130140	Holder, R.H.	1	
24	00131610	Lens cap	2	
25	01130150	Sheet metal	1	
26	01130160	Plate filter	1	
27	01130170	Bush	4	
28	01130180	Handle	2	
29	00078920	Screw	4	
30	01130190	Litter hopper	2	
31	00053770	Washer	4	
32	00161240	Edge protection	360mm	
33	00161240	Edge protection	60mm	
34	XXXXXXXX	no part-No. til yet	2	15590664 Plug
35	01131490	Sheet metal	2	
36	00059080	Countersunk screw	2	

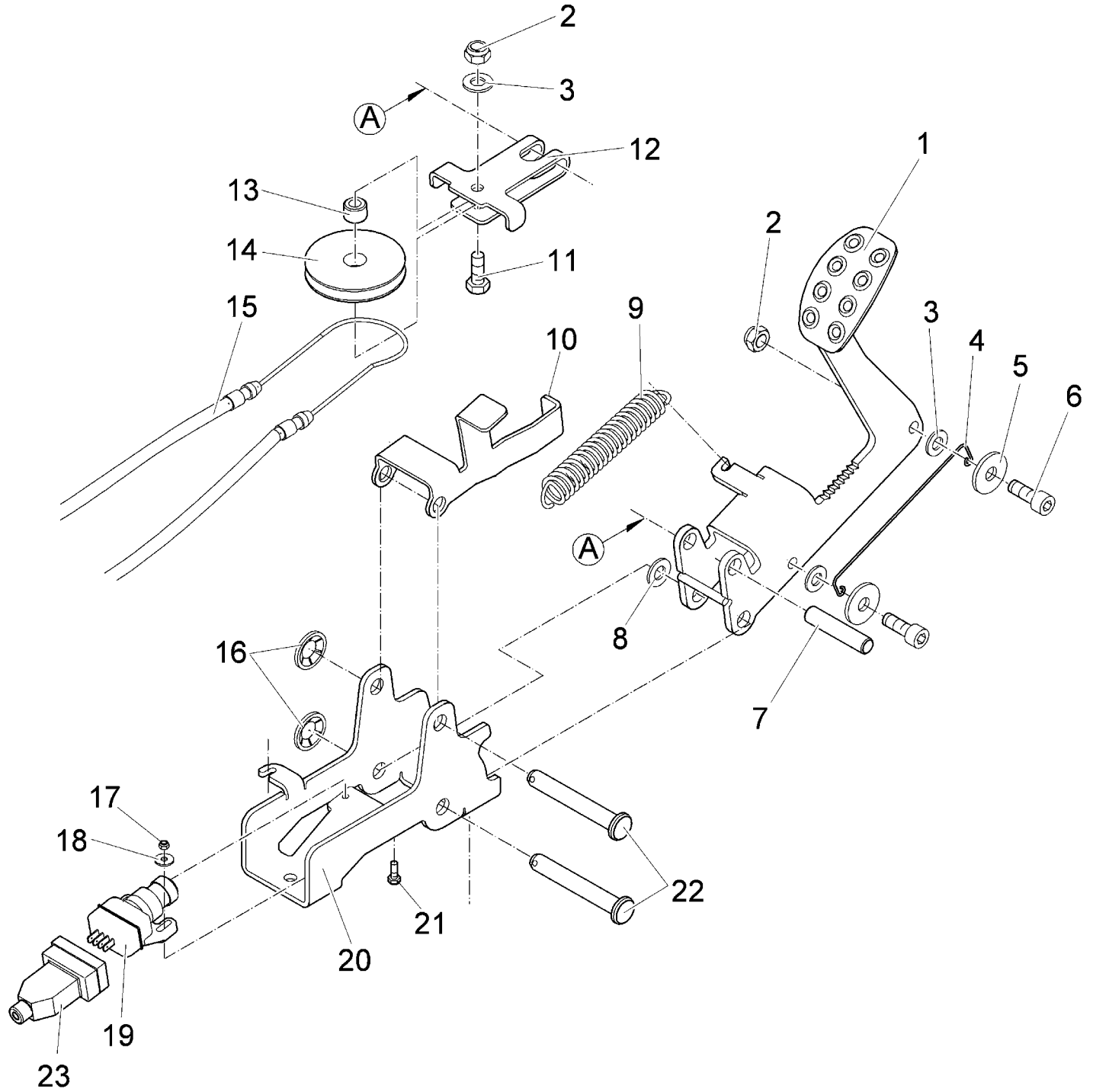
Rear wheel (massive) - Brake - Brake pedal (97081491)



Rear wheel (massive) - Brake - Brake pedal (97081491)

Item	Part number	Description	Qty.	Remarks
1	01131060	Cap	2	
2	00135350	Hexagon nut	2	
3	00053790	Washer	2	
4	00706370	Deep groove ball bearing	2	
5	01133030	Tyre	2	
6	01130350	Bowden cable for brake	1	
7	00074710	Hex. Nut	2	
8	00053760	Washer	2	
9	01130780	Bush	2	
10	01130790	Cup head square neck bolt	2	
11	00281050	Deep groove ball bearing	2	
12	01131080	Brake	2	
13	00053730	Washer	2	
14	01133970	clamping screw	2	
15	01131090	Axle with flange	2	
16	00740290	Detent edged washer	8	
17	00021130	Hex.bolt	8	
18	01133960	washer	2	
19	01132990	Brake drum	2	
20	00054230	Retaining ring	2	
21	00137020	Cylinder head screw	12	
22	00053330	Hexagon nut	2	
23	00863220	Retaining ring	2	
24	01133010	Rim half	2	
25	00054690	Hexagon screw	2	
26	00053750	Washer	4	
27	00051510	Hexagon nut	2	
28	00053350	Hexagon nut	2	
29	00074500	Hex.bolt	2	
30	97077358-6502-20	Brake pedal	Page	74
31	01133700	mounting link	1	
32	00853650	Tension spring	1	
33	00054890	Cotter pin	1	
34	01131320	Stop angel	1	

Brake pedal (97077358-6502-20)



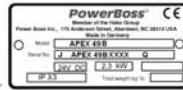
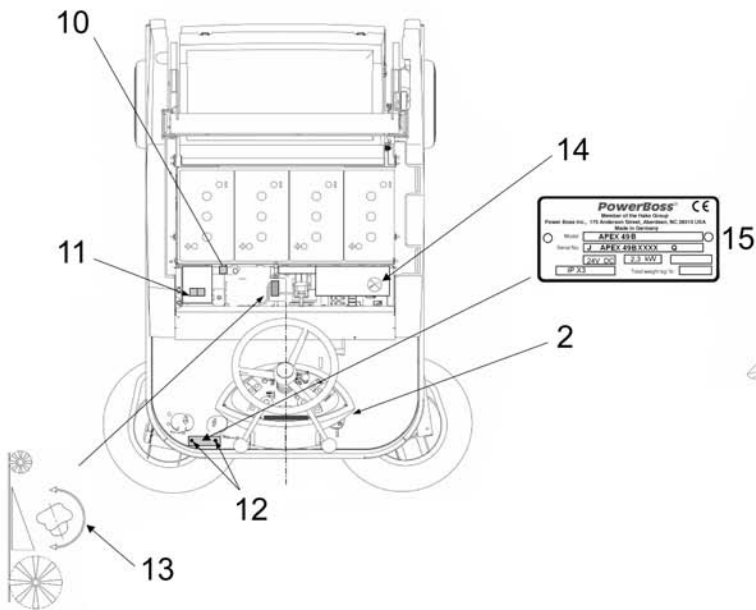
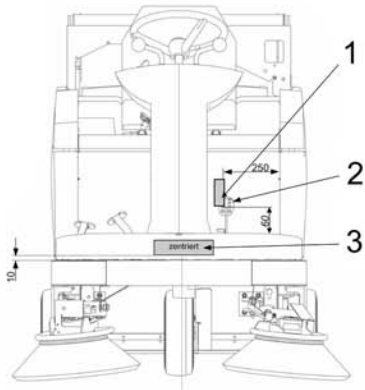
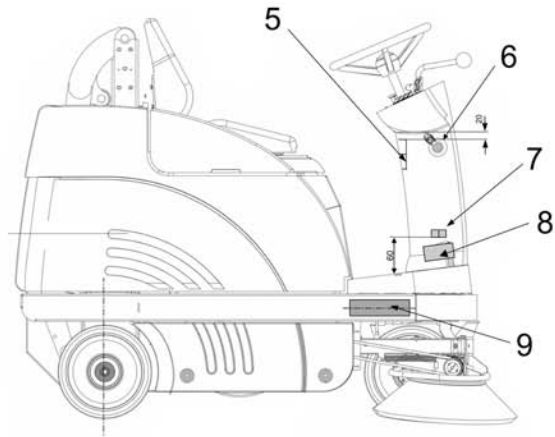
Brake pedal (97077358-6502-20)

Item	Part number	Description	Qty.	Remarks
1	01130320	Pedal brake	1	
2	00051510	Hexagon nut	3	
3	00053750	Washer	3	
4	00854270	Handle	1	
5	00042900	Washer	2	
6	00124290	Cylinder head screw	2	
7	01130330	Bolt	1	
8	00555130	Sealing ring	1	
9	01055930	Tension spring	1	
10	01130340	Barrier lever	1	
11	00053110	Hexagon screw	1	
12	03003170	Handle	1	
13	00974400	Bushing	1	
14	00521270	Roller	1	
15	01130350	Bowden cable for brake	1	
16	00706180	Thrust washer	2	
17	00133830	Hex. Nut	2	
18	00557150	Washer	2	
19	00927610	Switch	1	
20	03003180	Bracket	1	
21	00108490	Hex.bolt	2	
22	00879630	Bolt	2	
23	00927630	Cap	1	

Label (97090526)



4



Label (97090526)

Item	Part number	Description	Qty.	Remarks
1	01131540	Lable brush apron	1	
2	01131550	Lable brake	1	
3	03008390	Decal POWERBOSS	1	
4	01133290	Decal BATTERY CHARGE	1	
5	01071710	Decal "Instruction manual"	1	
6	01133270	Decal START	1	
7	01131560	Decal PARKING BRAKE	1	
8	03008790	Backing film	1	Acoustic power
9	03008780	Decal APEX 49	2	
10	00871160	Decal 24V	1	
11	01131590	Decal ROTATING PARTS	1	
12	00504370	Blind rivet	2	
13	01133940	decal ADJUSTABLE SWEEPER ROLLER	1	
14	01131570	Lable high-pressure cleaner	1	
15	03008410	Type plate POWERBOSS	1	

Warranty Information

Revision F
Effective November 1, 2008
PowerBoss Made Simple Industrial Limited Warranty

Minuteman International owner of PowerBoss warrants to the original purchaser/user that the product is free from defects in workmanship and materials under normal use. PowerBoss will, at its option, repair or replace without charge, parts that fail under normal use and service when operated and maintained in accordance with the applicable operation and instruction manuals. All warranty claims must be submitted through and approved by factory authorized repair stations.

This warranty does not apply to normal wear, or to items whose life is dependent on their use and care. Parts not manufactured by PowerBoss are covered by and subject to the warranties and/or guarantees of their manufacturers. Please contact Minuteman International for procedures in warranty claims against these manufacturers.

Special warning to purchaser -- Use of replacement parts not manufactured by PowerBoss or its designated licensees, will void all warranties expressed or implied. A potential health hazard exists without original equipment replacement.

All warranted items become the sole property of Minuteman International or PowerBoss or its original manufacturer, whichever the case may be.

PowerBoss disclaims any implied warranty, including the warranty of merchantability and the warranty of fitness for a particular purpose. PowerBoss assumes no responsibility for any special, incidental or consequential damages.

This limited warranty is applicable only in the U.S.A. and Canada, and is extended only to the original user/purchaser of this product. Customers outside the U.S.A. and Canada should contact their local distributor for export warranty policies. PowerBoss is not responsible for costs or repairs performed by persons other than those specifically authorized by PowerBoss. This warranty does not apply to damage from transportation, alterations by unauthorized persons, misuse or abuse of the equipment, use of non-compatible chemicals, or damage to property, or loss of income due to malfunctions of the product. If a difficulty develops with this machine, you should contact the dealer from whom it was purchased.

This warranty gives you specific legal rights, and you may have other rights, which vary from state to state. Some states do not allow the exclusion or limitation of special, incidental or consequential damages, or limitations on how long an implied warranty lasts, so the above exclusions and limitations may not apply to you.

	Travel*	Labor	Parts	Engine	Extended Warranty	Costs
Walk behinds						
Battery sweepers	Ninety days	One year	One year	N/A	2 years Parts + Labor (or 2000 Hours)	2%
IC sweepers	Ninety days	One year	One year	Through manufacturer	2 years Parts + Labor (or 2000 Hours)	2%
Battery scrubbers	Ninety days	Two years	Three years	N/A	3 Years Parts + Labor (or 3000 Hours)	2%
Riders						
Battery scrubbers	Ninety days	Two years	Three years/2000 hrs	N/A	3 Years Parts + Labor (or 3000 Hours)	2%
IC sweeper/scrubbers	Ninety days	Six months	Two years/2000 hrs	Two years/3000 hrs**	2 years Parts + Labor (or 2000 Hours)	3%
IC sweepers	Ninety days	Six months	Four years/3000 hrs	Five years/3000 hrs**	4 Years Parts + 2 Years Labor (or 4000 Hours)	3%
Exceptions						
Apex series sweeper	Ninety days	One year	One year/1000 hrs	One year/1000 hrs**	2 years Parts + Labor (or 2000 Hours)	3%
6X sweeper	Ninety days	Six months	Two years/2000 hrs	Two years/2000 hours**	2 years Parts + Labor (or 2000 Hours)	3%

Tank Bladders Eight years/ no additional labor
Polypropylene plastic tanks Ten years/ no additional labor
Batteries 0-3 months full replacement, 4-12 prorated credit
Chargers One-year replacement
Replacement parts Ninety days

*Two-hour cap

**Through engine manufacturer. See section 3 of warranty manual for engine warranty exceptions

*** Based upon dealer's certification status

Extended Warranty MUST be signed up within 30 days of delivery to End User (Dealer has 1Year from Receiving Machine to Sign up extended Warranty)

Extended Warranty Cost is based on Invoice Price multiplied by the Percentage listed in the Extended Warranty Column

All above labor and travel reimbursed at 65 or 75% of the published shop rate.



“The Power of Clean”

PowerBoss Is A Full Line Manufacturer Of Sweepers and Scrubbers For Industrial Facilities.

PowerBoss, Inc. 175 Anderson Street P.O. Box 1227- Aberdeen North Carolina 28315

Phone: 800-982-7141 - Fax: 1-800-277-7141 Local: 910-944-2105 Fax: 910-944-7409 e-mail: techsupport@powerboss.com

A Member Of The Hako Group